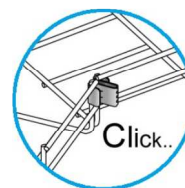
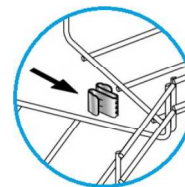
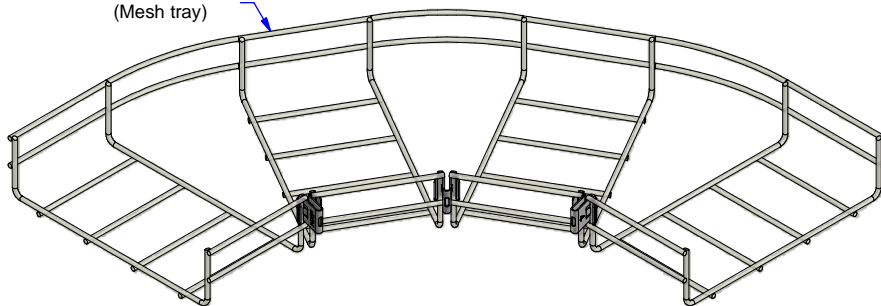
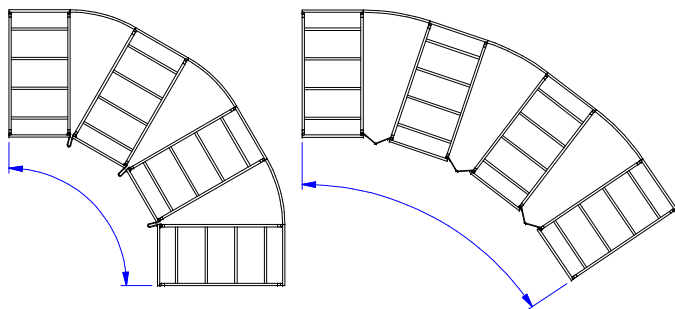


Chemin de câble fil
(Mesh tray)



Description	Code	Masse/Weight Kg/p	Ep./Th. mm
MTCA 4 INOX	713615	0,010	1,00



NOTA :
Angle ajustable
Adjustable corner



www.niedaxfrance.fr

AGRAFE MTCA 4 INOX
MTCA 4 COUPLER FOR BENDS SS



ASSISTANCE TECHNIQUE
+33 (0)1 55 95 92 17
pole.technique@niedax.fr

FT03401

NIEDAX
France

