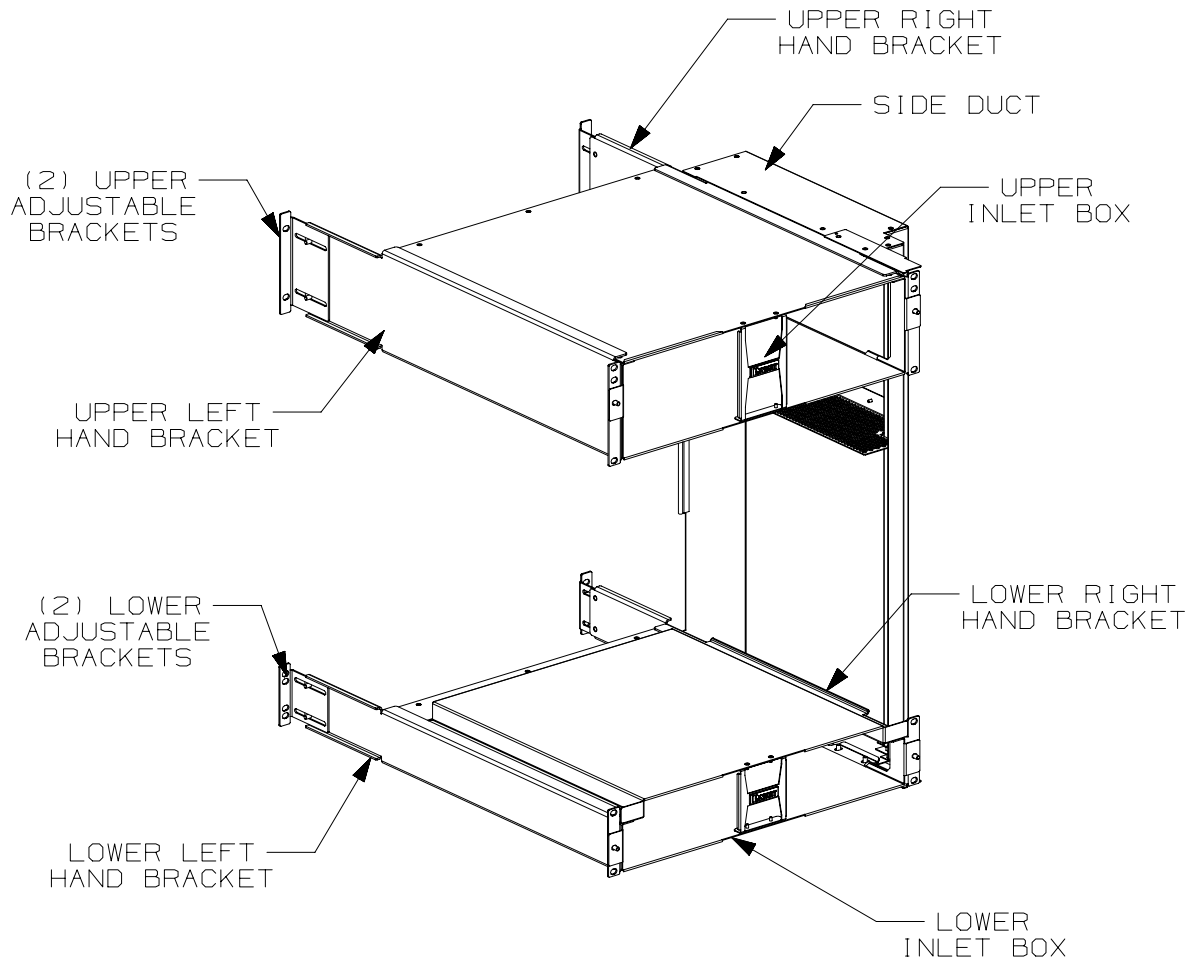


THIS COPY IS PROVIDED ON A RESTRICTED BASIS AND IS NOT TO BE USED IN ANY WAY DETRIMENTAL TO THE INTERESTS OF PANDUIT CORP.



PANDUIT PART NO.	WEIGHT
DIRLC3210S17W	27.03 Kgs/EA 59.60 LBS/EA

NOTES:

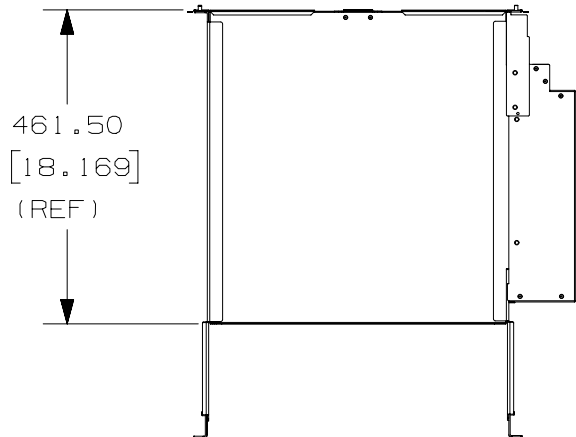
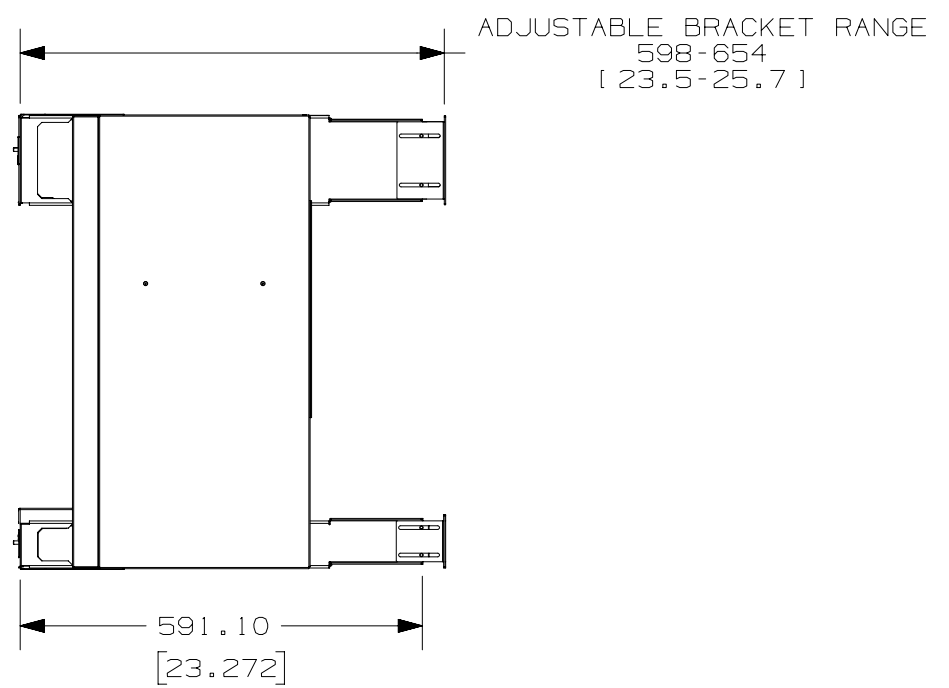
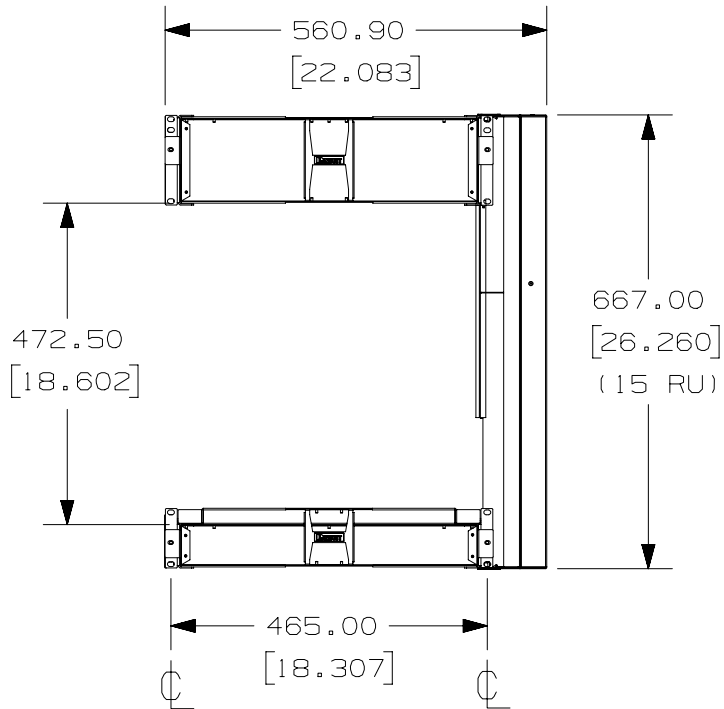
- VISIT OUR ONLINE CATALOG AT WWW.PANDUIT.COM FOR A LIST OF CURRENT PARTS APPLICABLE FOR USE WITH THIS PRODUCT.
- PRIMARY DIMENSIONS ARE IN MILLIMETERS (mm). DIMENSIONS IN PARENTHESES ARE IN INCHES (IN).
- INLET DUCT TO BE USED WITH CISCO 6807
- PARTS SUPPLIED:
 - (1) SIDE DUCT
 - (1) UPPER INLET BOX
 - (1) LOWER INLET BOX
 - (1) UPPER RIGHT HAND BRACKET
 - (1) LOWER RIGHT HAND BRACKET
 - (1) UPPER LEFT HAND BRACKET
 - (1) LOWER LEFT HAND BRACKET
 - (2) UPPER ADJUSTABLE BRACKETS
 - (2) LOWER ADJUSTABLE BRACKETS
 - (1) HARDWARE KIT

REV	DATE	BY	CHK	APR	DESCRIPTION	ECN
01A	3/22/16	MES			UPDATED ADJUSTABLE BRACKET RANGE	V09000UZ
00A	3/23/15	MEX-JAGC	BSN	BSN	RELEASED	V09000GX

TITLE		INLET DUCT FOR CISCO 6807 (DIRLC3210S17W) CUSTOMER DRAWING		
ITEM REVISION NAME		14V424AC/01		
DATASET FILE NAME		14V424AC_DC/01A		
MATERIAL:		N/A		
DRAWING NUMBER:		14V424AC-DC		
THIRD ANGLE PROJECTION	DRAWN BY	DATE	CHK	SCALE
	MEX-JAGC	3/23/15		N/A
				SHT 1 OF 3
				SIZE A

D110100DA/16

THIS COPY IS PROVIDED ON A RESTRICTED BASIS AND IS NOT TO BE USED IN ANY WAY DETRIMENTAL TO THE INTERESTS OF PANDUIT CORP.

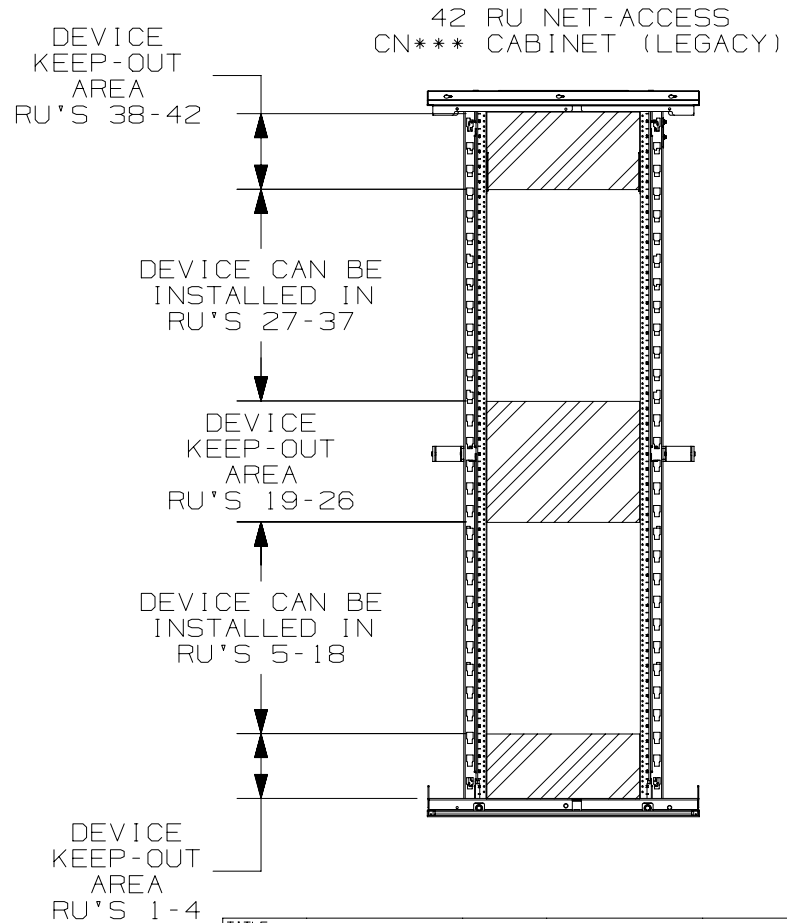
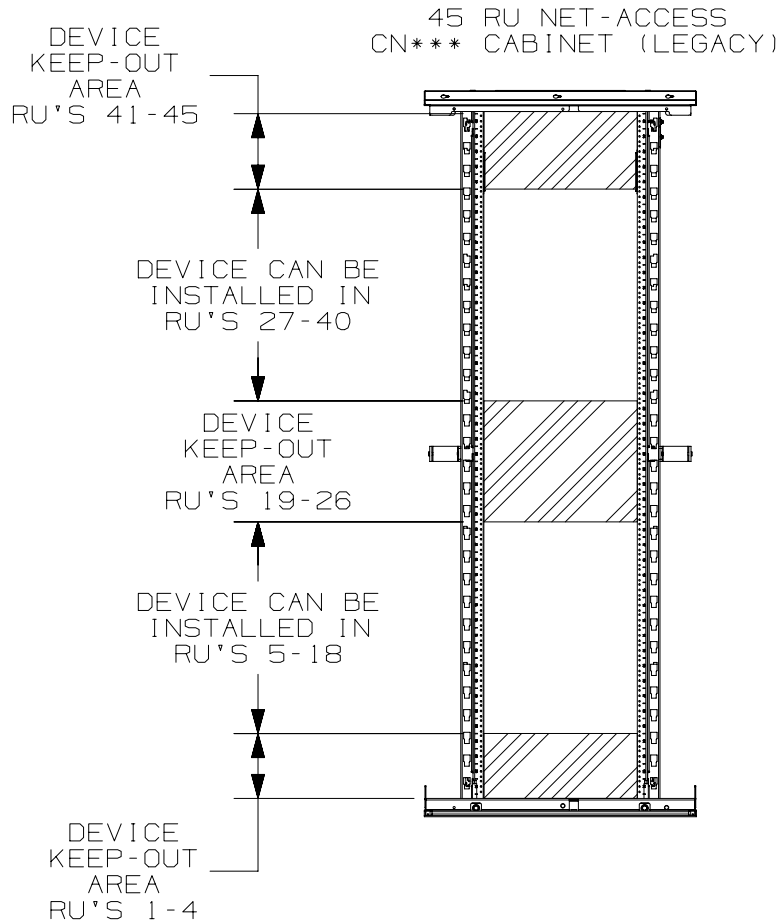


TITLE		INLET DUCT FOR CISCO 6807 (DIRLC3210S17W) CUSTOMER DRAWING		
ITEM REVISION NAME		14V424AC/01		PANDUIT
DATASET FILE NAME		14V424AC_DC/01A		
		MATERIAL:		N/A
		DRAWING NUMBER:		14V424AC-DC
DRAWN BY		DATE	CHK	SCALE
MEX-JAGC		3/23/15		N/A
THIRD ANGLE PROJECTION		SHT 2 OF 3		
REV	DATE	BY	CHK	APR
01A	3/22/16	MES		
00A	3/23/15	MEX-JAGC	BSN	BSN
DESCRIPTION		ECN		
UPDATED ADJUSTABLE BRACKET RANGE		V09000UZ		
RELEASED		V09000GX		

D101000DA/16

THIS COPY IS PROVIDED ON A RESTRICTED BASIS AND IS NOT TO BE USED IN ANY WAY DETRIMENTAL TO THE INTERESTS OF PANDUIT CORP.

DUE TO PHYSICAL CONSTRAINTS POSED BY FRONT-TO-BACK FRAME BEAMS ON THE LEGACY NET-ACCESS CABINET, THERE ARE CERTAIN AREAS OF THE CABINET THAT THE DEVICE CANNOT BE MOUNTED WHEN USED IN CONJUNCTION WITH THIS INLET DUCT



FOR NEW NET-ACCESS SWITCH CABINETS (N***), THERE ARE NO DEVICE KEEP-OUT AREAS. THE ONLY RESTRICTION ON DEVICE PLACEMENT IS THAT 3RU MUST BE LEFT OPEN ABOVE AND 2RU BELOW THE SWITCH.

NOTE: NUMBERS-UP RU NUMBERING (#1 AT BOTTOM) ASSUMED

TITLE		INLET DUCT FOR CISCO 6807 (DIRLC3210S17W) CUSTOMER DRAWING		
ITEM REVISION NAME		14V424AC/01		PANDUIT
DATASET FILE NAME		14V424AC_DC/01A		
		MATERIAL:		N/A
		DRAWING NUMBER:		14V424AC-DC
DRAWN BY		DATE	CHK	SCALE
MEX-JAGC		3/23/15		N/A
THIRD ANGLE PROJECTION				
SHT 3 OF 3		REV		SIZE
				A

REV	DATE	BY	CHK	APR	DESCRIPTION	ECN
01A	3/22/16	MES			UPDATED ADJUSTABLE BRACKET RANGE	V09000UZ
00A	3/23/15	MEX-JAGC	BSN	BSN	RELEASED	V09000GX

D110100DA/16