

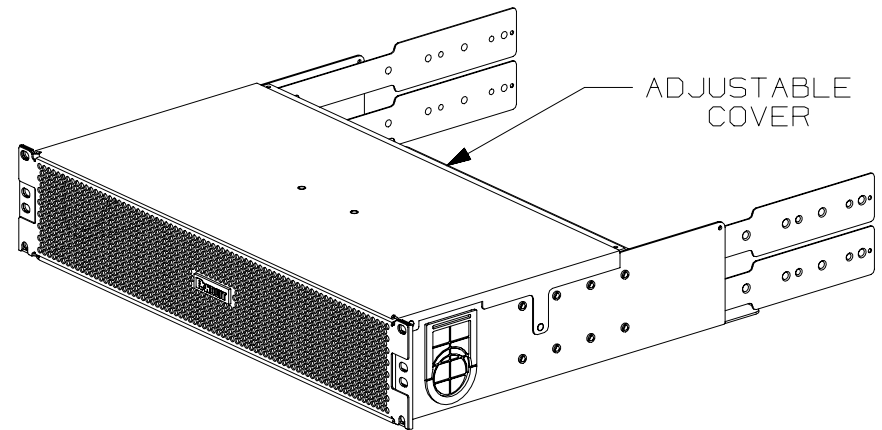
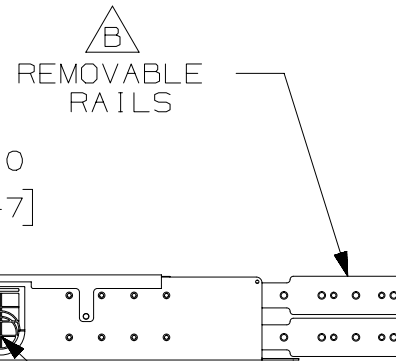
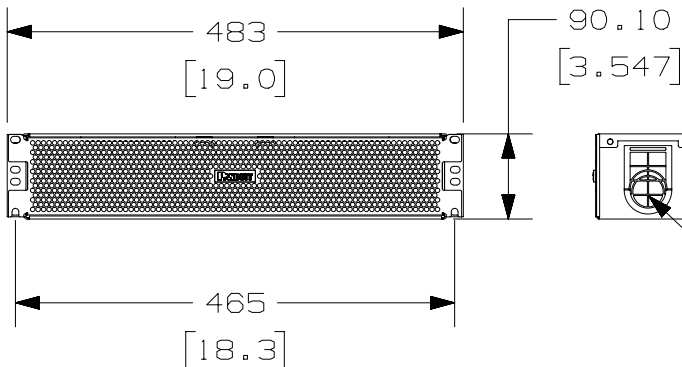
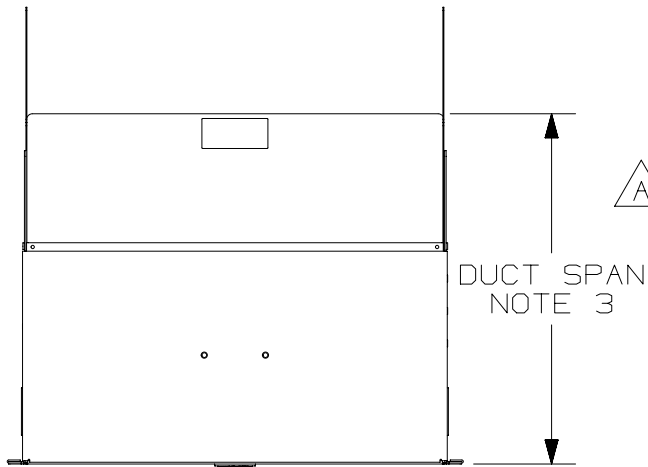
THIS COPY IS PROVIDED ON A RESTRICTED BASIS AND IS NOT TO BE USED IN ANY WAY DETRIMENTAL TO THE INTERESTS OF PANDUIT CORP.

PANDUIT PART NO.	WEIGHT	COLOR
CID2RU16-20DB1	9.2 LBS/EACH	BLACK

COMPATIBLE CISCO SWITCHES
9148S
9148
3172TQ
2232PP
3064PQ
9372PX*

\*9372PX CAN ONLY BE INSTALLED IN THE BOTTOM POSITION OF THE DUCT

- NOTES:
1. PRIMARY DIMENSIONS ARE MILLIMETERS (mm). DIMENSIONS IN PARENTHESES ARE IN INCHES (IN)
  2. E-RAIL SPACING OF 742mm(29.2") IS REQUIRED FOR PROPER INSTALLATION OF THE DUCT.
  3. ADJUSTABLE COVER EXTENDS TO PROVIDE A SPAN TO ACCOMMODATE SWITCHES WITH DEPTH OF 414mm [16.3"] TO 505mm [19.9"]
  4. PARTS SUPPLIED  
1 - 2 RU DUCT  
4 - RAILS  
1 - FRONT PERFORATED COVER  
1 - HARDWARE KIT  
1 - FLAP SEAL
  5. 2 RUBBER GROMMETS (1 ON EACH SIDE) PROVIDED FOR EASY ACCESS TO POWER.
  6. DUE TO HEIGHT CONSTRAINTS, NO MORE THAN TWO OF THESE UNITS SHOULD BE STACKED IN ADJACENT RU SPACE.



TITLE		CID2RU16-20DB1 CABINET INLET THERMAL DUCTING	
ITEM REVISION NAME		14V424AE/02	
DATASET FILE NAME		14V424AE_DC/B1/02A	
UNLESS OTHERWISE SPECIFIED, DIMENSIONAL TOLERANCES ARE: IN (mm)		MATERIAL:	
.x ± .1 [ 2.54 ] .xx ± .01 [ .25 ]		N/A	
.xxx ± .005 [ .127 ] ANGLES ± 5 °		DRAWING NUMBER:	
THIRD ANGLE PROJECTION		14V424AE-DC/B1	
DRAWN BY	DATE	CHK	SCALE
RHG	4/30/15	MJD	N/A
SHT 1 OF 1			SIZE
			A

REV	DATE	BY	CHK	APR	DESCRIPTION	ECN
02A	2/2/16	RHG	MJD	MSH	A. ADDED 9372PX TO COMPATIBLE SWITCHES LIST B. UPDATED REMOVABLE RAILS	V09000TR
01A	4/30/15	RHG	MJD	MSH	RELEASED TO CUSTOMER	V09000IT

D10100DA/16