

1SET111038R0000 ✓ ACTIVE

ENTRELEC

TE Internal #: 1SET111038R0000

Crimp Wire Pins, Tabs & Ferrules, Ferrule, Pin Diameter 4.5 mm, 8

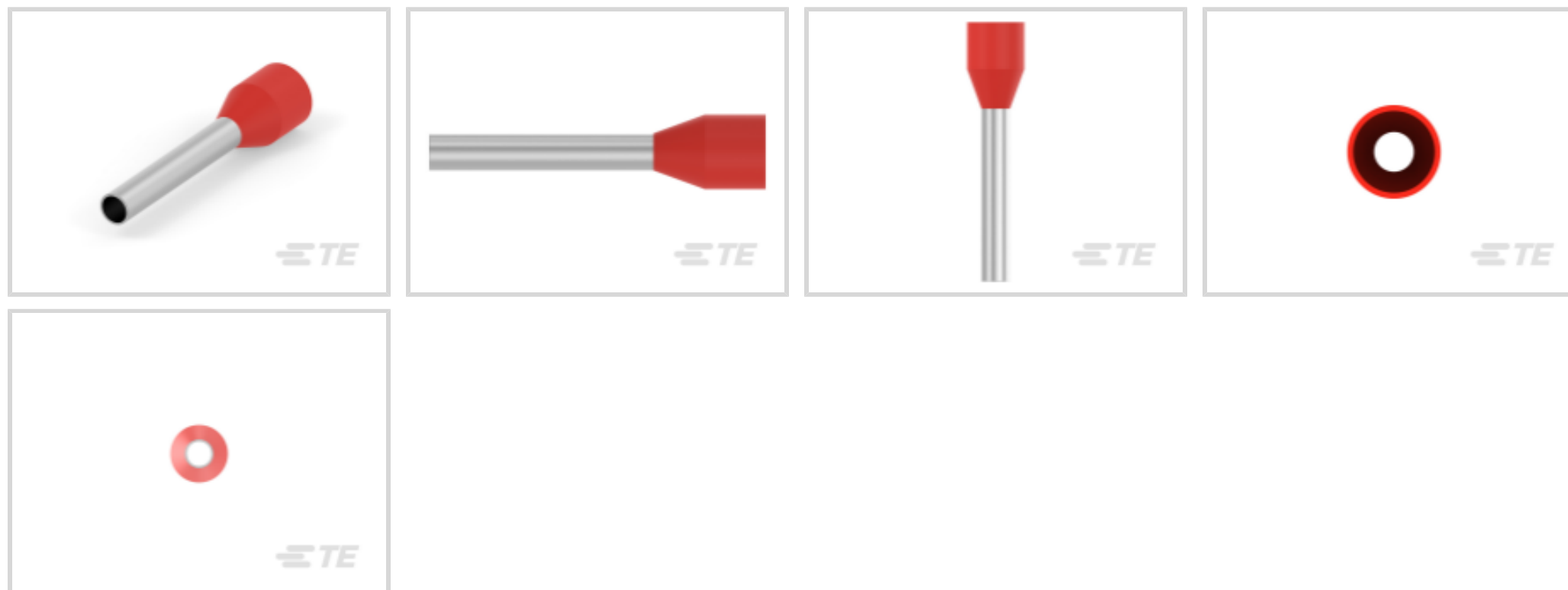
AWG Wire Size, 10 mm<sup>2</sup> Wire Size, .178 in [4.5 mm] Barrel Inside

Diameter, Closed

[View on TE.com >](#)



Terminals & Splices > Crimp Wire Pins, Tabs & Ferrules



Crimp Wire Pin, Tab & Ferrule Terminal Type: **Ferrule**

Pin Diameter: **4.5 mm**

Accepts Wire Insulation Diameter Range: **7.5 mm, 7.6 mm [ .296 in, .3 in ]**

Wire Size: **10 mm<sup>2</sup>**

## Features

### Product Type Features

Sealable	No
Compatible With Discrete Wire Type	Stranded
Wire Insulation Support Retention Type	Insulation Support

### Configuration Features

Compatible With Wire & Cable Type	Discrete Wire
-----------------------------------	---------------

### Body Features

Double Wire	No
Insulation Color	Red
Insulation Material	PP

### Contact Features

Terminal Length	18 mm [.702 in]
Crimp Wire Pin, Tab & Ferrule Terminal Type	Ferrule
Barrel Type	Closed
Terminal Plating Material	Tin



Terminal Orientation	Straight
----------------------	----------

### Mechanical Attachment

Wire Insulation Support	Without
-------------------------	---------

### Dimensions

2-Wire Size	10 mm <sup>2</sup>
-------------	--------------------

Strip Length	21 mm[.827 in]
--------------	----------------

Pin Diameter	4.5 mm
--------------	--------

Accepts Wire Insulation Diameter Range	7.5 mm, 7.6 mm[.296 in][.3 in]
--	--------------------------------

Wire Size	10 mm <sup>2</sup>
-----------	--------------------

Barrel Inside Diameter	4.5 mm[.178 in]
------------------------	-----------------

Terminal Material Thickness	.2 mm[.007 in]
-----------------------------	----------------

Overall Product Length	28 mm[1.102 in]
------------------------	-----------------

### Usage Conditions

Insulation Option	Partially Insulated
-------------------	---------------------

Operating Temperature Range	105 °C[221 °F]
-----------------------------	----------------

### Operation/Application

Heavy Duty	No
------------	----

### Packaging Features

Packaging Quantity	100
--------------------	-----

Packaging Method	Bag
------------------	-----

### Other

Barrel Color	Red
--------------	-----

### Product Compliance

[For compliance documentation, visit the product page on TE.com>](#)

EU RoHS Directive 2011/65/EU	Compliant
------------------------------	-----------

EU ELV Directive 2000/53/EC	Not Yet Reviewed
-----------------------------	------------------

China RoHS 2 Directive MIIT Order No 32, 2016	No Restricted Materials Above Threshold
---	---

EU REACH Regulation (EC) No. 1907/2006	Current ECHA Candidate List: JUNE 2022 (224) Not Yet Reviewed
--	--

Halogen Content	Low Halogen - Br, Cl, F, I < 900 ppm per homogenous material. Also BFR/CFR/PVC
-----------------	--

Free

Solder Process Capability

Not reviewed for solder process capability

Product Compliance Disclaimer

This information is provided based on reasonable inquiry of our suppliers and represents our current actual knowledge based on the information they provided. This information is subject to change. The part numbers that TE has identified as EU RoHS compliant have a maximum concentration of 0.1% by weight in homogenous materials for lead, hexavalent chromium, mercury, PBB, PBDE, DBP, BBP, DEHP, DIBP, and 0.01% for cadmium, or qualify for an exemption to these limits as defined in the Annexes of Directive 2011/65/EU (RoHS2). Finished electrical and electronic equipment products will be CE marked as required by Directive 2011/65/EU. Components may not be CE marked. Additionally, the part numbers that TE has identified as EU ELV compliant have a maximum concentration of 0.1% by weight in homogenous materials for lead, hexavalent chromium, and mercury, and 0.01% for cadmium, or qualify for an exemption to these limits as defined in the Annexes of Directive 2000/53/EC (ELV). Regarding the REACH Regulation, the information TE provides on SVHC in articles for this part number is based on the latest European Chemicals Agency (ECHA) 'Guidance on requirements for substances in articles' posted at this URL: <https://echa.europa.eu/guidance-documents/guidance-on-reach>

### Compatible Parts



TE Part # 539660-1  
ADERENDHUELSEN (Ferrule) Crimp Tool



TE Part # 1SNL340010R0000  
DBL400



TE Part # 6-1579014-5  
HT FOR CABLE-END SLEEVES FRONT 0,08-16




TE Part # 1SET191003R0000  
FER-SE-HT

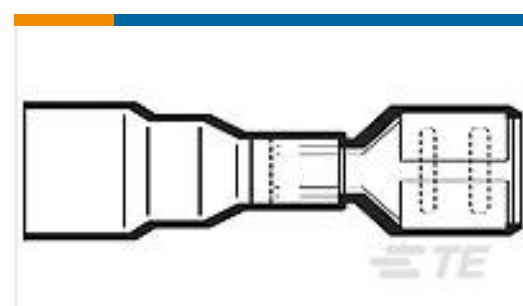


TE Part # 1SET191004R0000  
FER-FL-HT

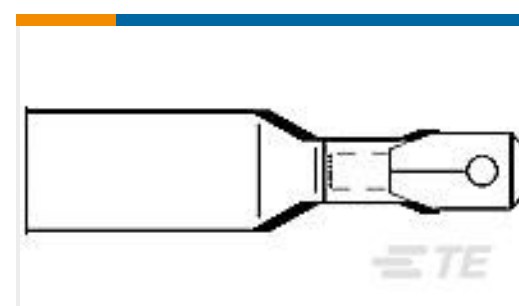
### Customers Also Bought



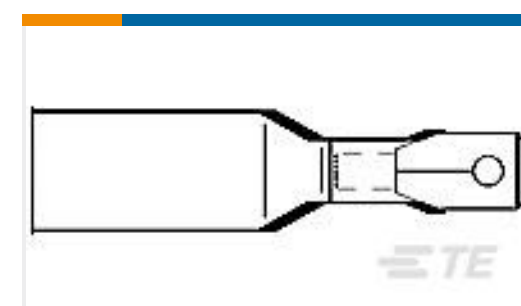
TE Part #CC2649-000  
B-106-1803CS50



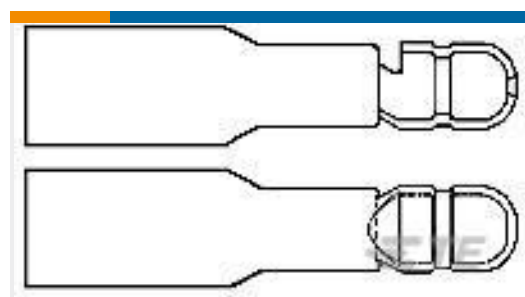
TE Part #CC2641-000  
B-106-3632CS100



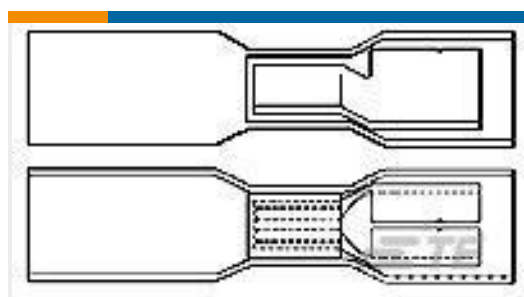
TE Part #CC2642-000  
B-106-4632CS100



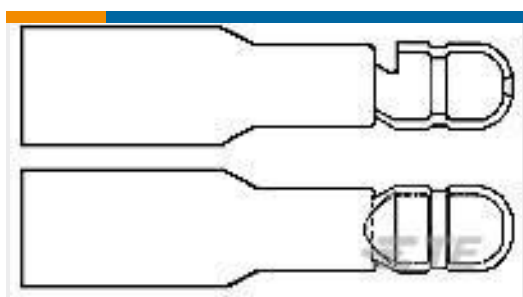
TE Part #CC2630-000  
B-106-4631CS100



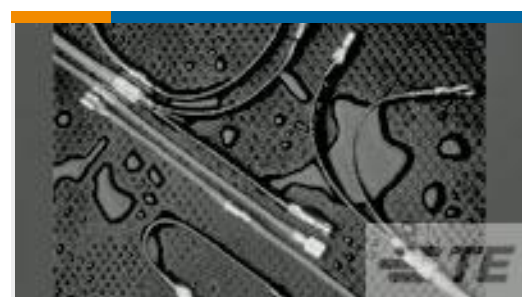
TE Part #CC2631-000  
B-106-7401CS100



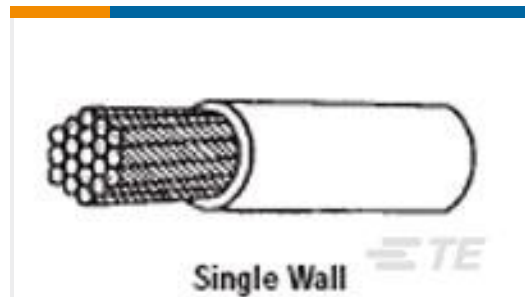
TE Part #CC2632-000  
B-106-8401CS100



TE Part #CC2643-000  
B-106-7502CS100



TE Part #CC2637-000  
B-106-1802CS100



TE Part #792939-000  
82A0111-16-0



TE Part #EL88602001  
RBK-VWS-125-NR2-X-STK

## Documents

### Product Drawings

[WF100-18-RD](#)

English

### Datasheets & Catalog Pages

[Infographic - entrelec ews-linecard](#)

English

[ENTRELEC - INSULATED WIRE END FERRULES](#)

[ENTRELEC - INSULATED WIRE END FERRULES](#)

English

[ENTRELEC - INSULATED WIRE END FERRULES](#)

French

[Essential Entrelec Terminal Blocks](#)

French

[Essential Entrelec Terminal Blocks](#)

English

### Agency Approvals

[UL](#)

English