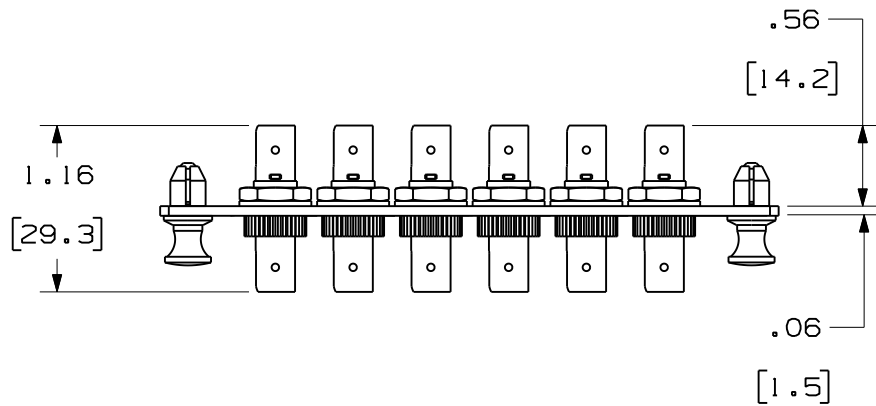
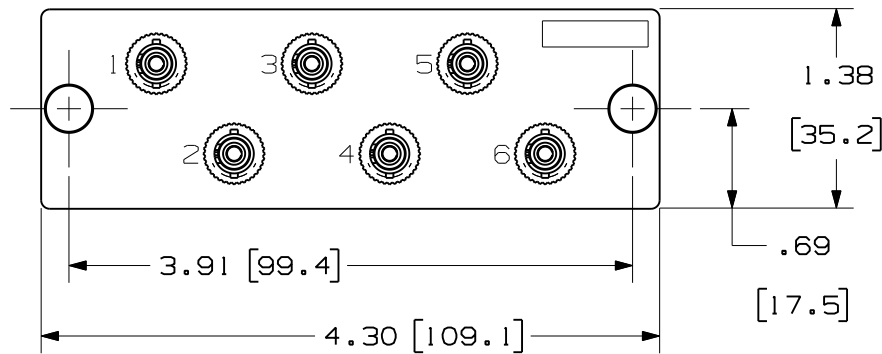


THIS COPY IS PROVIDED ON A RESTRICTED BASIS AND IS NOT TO BE USED IN ANY WAY DETRIMENTAL TO THE INTERESTS OF PANDUIT CORP.



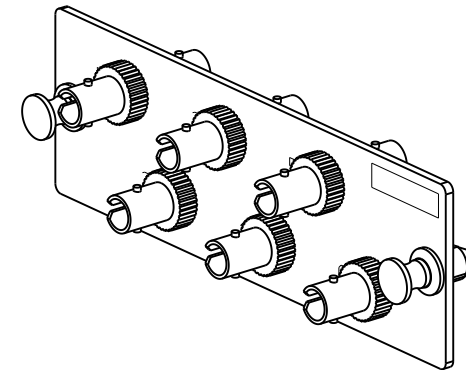
DUST CAPS NOT SHOWN FOR CLARITY



PANDUIT P/N	DUST CAP COLOR	SPLIT SLEEVE TYPE
FAP6WST	YELLOW	PHOS BRONZE
FAP6WSTZ	RED	ZIRCONIA

NOTES:

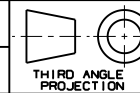
- SEE CURRENT CATALOG FOR PART NUMBER SUFFIXES TO INDICATE COLOR AND/OR PACKAGE QUANTITIES.
- SEE CATALOG FOR COMPLETE LIST OF PARTS APPLICABLE FOR USE WITH THIS PRODUCT.
- MATERIALS:
  - PLATE: C.R.S. POWDER COATED
  - ADAPTER: METALLIC BODY
  - SPLIT SLEEVE: SEE TABLE ABOVE
  - ALL MATERIALS AND COMPONENTS USED MEET THE MATERIAL RESTRICTIONS OF RoHS, (EUROPEAN DIRECTIVE 2002/95/EC ON THE RESTRICTION OF HAZARDOUS SUBSTANCES) AS PROPOSED BY THE RoHS TECHNICAL ADAPTATION COMMITTEE.
- DIMENSIONS IN BRACKETS ARE METRIC.



6 POSITION  
ST FIBER ADAPTER PANEL  
CUSTOMER DRAWING



**PANDUIT**™  
CORP.  
TINLEY PARK, ILL 60477



ALL DIMENSIONS ARE GIVEN IN INCHES,  
UNLESS OTHERWISE SPECIFIED,  
DIMENSIONAL TOLERANCES ARE:  
(.X) ±.03 (0.8) ANGLES  
(.XXX) ±.010 (0.3)

DRAWING FILENAME  
MO1945AB\_DC/00A

SCALE  
NONE

DRAWN BY  
MC

REVIEW DRAWING NUMBERS

PART NO.  
SEE TABLE

R	03-31-11	MC	MTV	RELEASED TO PRODUCTION	01945-150	MTV	TCB			
---	----------	----	-----	------------------------	-----------	-----	-----	--	--	--

DATE  
09-14-10

CHK'D  
MTV

DRAWING NO.  
01945-150

REV	DATE	BY	CHK	DESCRIPTION	ECN	R	CUST	SUP	OTH
-----	------	----	-----	-------------	-----	---	------	-----	-----

SIZE  
A