



Micro PLC - Base module with built-in Ethernet port, without display  
LRK12RD024B  
12/24VDC  
6 digital + 2 digital/analog  
4 relay  
12 (8 inputs + 4 outputs) up to 36 with LRE modules

Product designation

Product type designation

Auxiliary supply voltage

Number of inputs

Number of outputs

Max I/O number

Nr.

Nr.

#### Power supply

Rated auxil. supply voltage		12/24VDC
Operating voltage range		10.0...28.8VDC
Average current consumption	mA	300

#### Digital inputs

Number of digital input	Nr.	6 + 2 digital/analog
Rated voltage	V	12/24VDC
Input signals	State 0 (OFF) State 1 (ON)	<5VDC >10VDC
Response time	0 to 1 (OFF-ON) 1 to 0 (ON-OFF)	5ms (0.5ms for high speed) 3ms (0.3ms for high speed)

#### Analog inputs

Number of analog input	Nr.	2 digital/analog	
Analog input type		Voltage inputs	
Inputs signal range	V	0...10	
Resolution		0.01V	
Bit of conversion	bit	12	
Current consumption at	10VDC	mA	<0.17mA
Input impedance		kΩ	>40
Admissible overload		VDC	28
Maximum cable length		m / ft	≤30m/98ft (shielded wire)

#### Digital outputs

Number of digital output type	Nr.	4 Relay
-------------------------------	-----	---------

#### System resources

Display		No
---------	--	----

Real Time Clock Yes

**Communications**

Type of communication port Ethernet

**Connections**

Terminals type Screw

Tightening torque for terminals  
max Nm 0.8

Conductor section  
AWG/Kcmil  
min 26  
max 14

IEC  
min mm<sup>2</sup> 0.14  
max mm<sup>2</sup> 2.5

**Ambient conditions**

Temperature  
Operating temperature  
min °C -20  
max °C 50

Storage temperature  
min °C -40  
max °C +70

Relative humidity % 20...90% without condensation

**Housing**

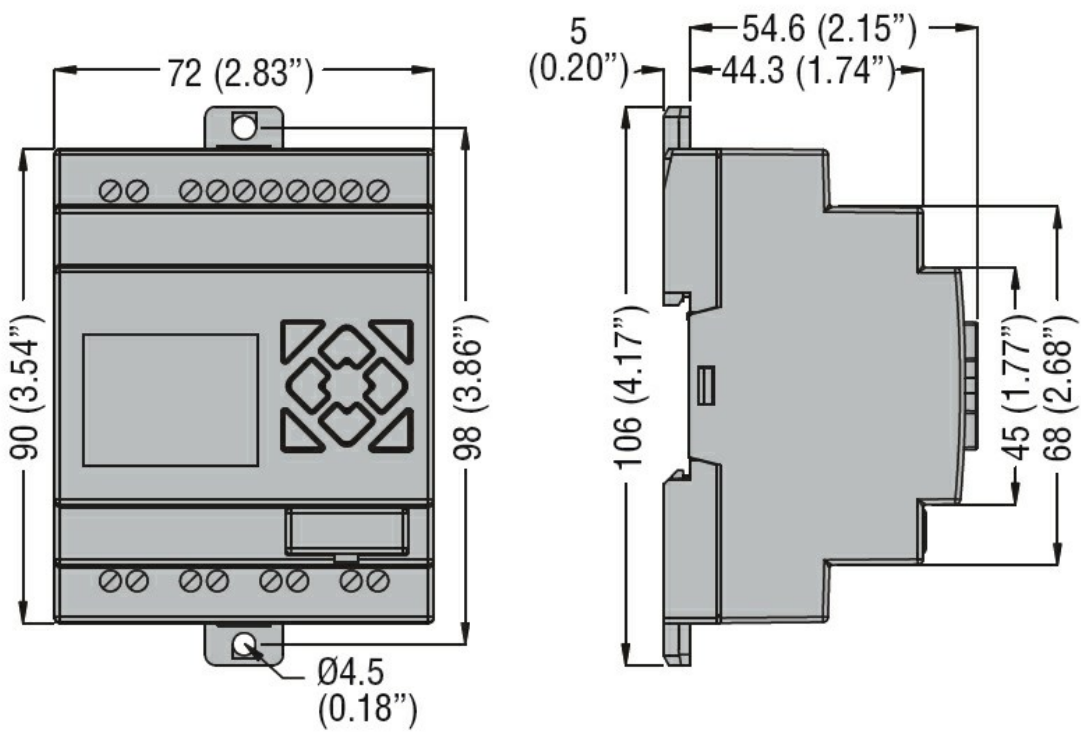
Mounting 35mm DIN rail or screw fixing (M4x20mm)

Degree of protection IP20

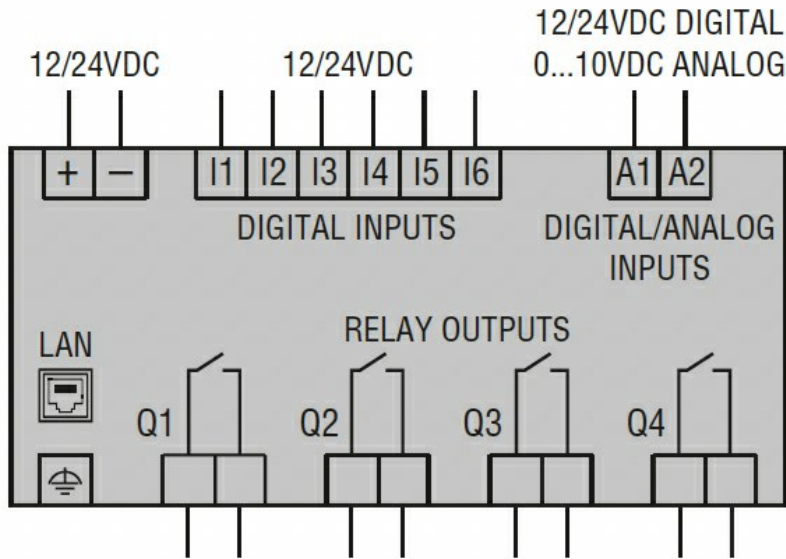
Dimensions (W x H x D) mm 72 x 106 x 59.6

Weight g 240

**Dimensions**



Wiring diagrams



Certifications and compliance

Compliance

CSA C22.2 No. 61010-1

CSA C22.2 No. 61010-2-201:18

IEC/EN/BS 61131-2

UL 61010-1

UL 61010-2-201

Certificates

cULus

ETIM classification

ETIM 8.0

EC001417 -  
Logic module