

NOTES:

RATED VOLTAGE: MAX. 63V AC/DC
 RATED CURRENT: MAX. 12A at 40°C (derating has to be considered)
 IP RATING: IP67 (mated and locked condition)
 TEMPERATURE RANGE: -25°C TO +85°C

CABLE PRINTING (sequence as shown below):
 - MOLEX part number
 - "Made in " COUNTRY OF ORIGIN
 - MOLEX AND DATE OF MANUFACTURING (YY=YEAR; WW=WEEK): MXYWW
 - Not for current interrupting

PART ACCORDING PRODUCT SPEC: 1205010169
 PACKAGING ACCORDING PACKAGING SPEC: 1201202000

TABLE 1

POS	DESCRIPTION	MATERIAL	FINISH
1	NUT M12 FE	BRASS	Ni
2	CONTACT 15 MA	BRASS	Au
3	CONTACT 15 FE	BRASS	Au
4	INSERT	PA	GREY
5	OVERMOLD	TPE	BLACK
6	CABLE 5x1.5 D8.6 WSOR	PUR	GREY
7	GASKET OR 8.2X1.25	FKM	BLACK
OPTIONAL 8	ID-CARRIER	-	-

FUNCTIONAL SYMBOLS FA = 0 FE = 0 FV = 0	THIS DRAWING CONTAINS INFORMATION THAT IS PROPRIETARY TO MOLEX ELECTRONIC TECHNOLOGIES, LLC AND SHOULD NOT BE USED WITHOUT WRITTEN PERMISSION		 CSE M12 5P LC FE STR WSOR GY XM UNSH 1.5	
	DIMENSION UNITS	SCALE		
	mm	2:1	EC NO: 735577	
	GENERAL TOLERANCES (UNLESS SPECIFIED)		DRWN: NIKHIS3 2023/01/12	
ANGULAR TOL ± 1.0°		CHK'D: RSILLER 2023/01/19		
4 PLACES ±		APPR: RSILLER 2023/01/19		
3 PLACES ±		INITIAL REVISION:		
2 PLACES ± 0.05		DRWN: FDAFERNER 2020/08/17		
1 PLACE ± 0.3		APPR: RSILLER 2022/12/05		
0 PLACES ± 0.5		DRAFT WHERE APPLICABLE MUST REMAIN WITHIN DIMENSIONS		
THIRD ANGLE PROJECTION		DRAWING	SERIES	MATERIAL NUMBER
		A3-SIZE	120500	SEE TABLE 2
CUSTOMER		DOC TYPE	DOC PART	REVISION
GENERAL MARKET		PSD	000	A1
SHEET NUMBER		1 OF 2		

ENGINEERING NO - NUMERICAL CODE (Available parts see PART LIST table. Other parts available upon request).

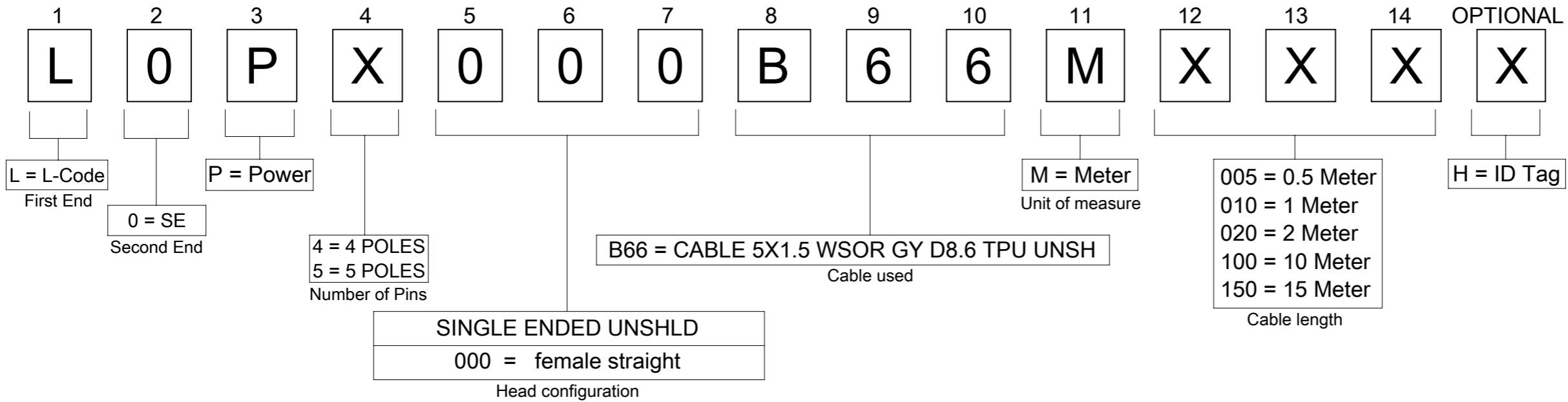


TABLE 2

NOMINAL SECTION 1,5mm ²			
MATERIAL NO.	ENGINEERING NO.	L [mm]	TOLERANCE [mm]
1205000300	L0P5000B66M010	1000	+40
1205000301	L0P5000B66M020	2000	+60
1205000302	L0P5000B66M030	3000	+60
1205000303	L0P5000B66M050	5000	+60
1205000304	L0P5000B66M100	10000	+80
1205000305	L0P5000B66M150	15000	+140
1205000306	L0P5000B66M200	20000	+140

FUNCTIONAL SYMBOLS	THIS DRAWING CONTAINS INFORMATION THAT IS PROPRIETARY TO MOLEX ELECTRONIC TECHNOLOGIES, LLC AND SHOULD NOT BE USED WITHOUT WRITTEN PERMISSION			
	$\nabla_A = 0$ $\nabla_B = 0$ $\nabla_C = 0$	DIMENSION UNITS: mm SCALE: 1:1		
DIVISIONAL SYMBOLS	GENERAL TOLERANCES (UNLESS SPECIFIED)		EC NO: 735577	
	ANGULAR TOL $\pm 1.0^\circ$		DRWN: NIKHIS3 2023/01/12	
	4 PLACES \pm		CHK'D: RSILLER 2023/01/19	
	3 PLACES \pm		APPR: RSILLER 2023/01/19	
2 PLACES ± 0.05		INITIAL REVISION:		
1 PLACE ± 0.3		DRWN: FDAFERNER 2020/08/17		
0 PLACES ± 0.5		APPR: RSILLER 2022/12/05		
DRAFT WHERE APPLICABLE MUST REMAIN WITHIN DIMENSIONS		THIRD ANGLE PROJECTION	DRAWING	SERIES
			A3-SIZE	120500
		MATERIAL NUMBER	CUSTOMER	SHEET NUMBER
		SEE TABLE 2	GENERAL MARKET	2 OF 2

DOCUMENT STATUS	P1	RELEASE DATE	2023/01/19	11:13:32
-----------------	----	--------------	------------	----------