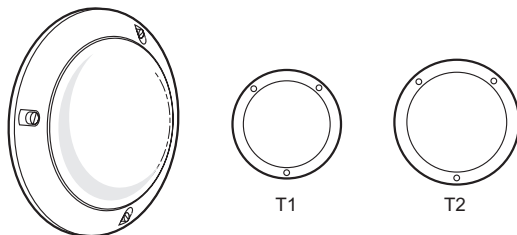
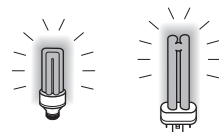


# sarlam

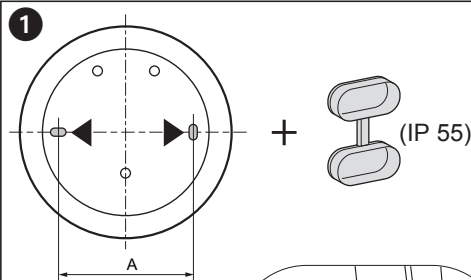
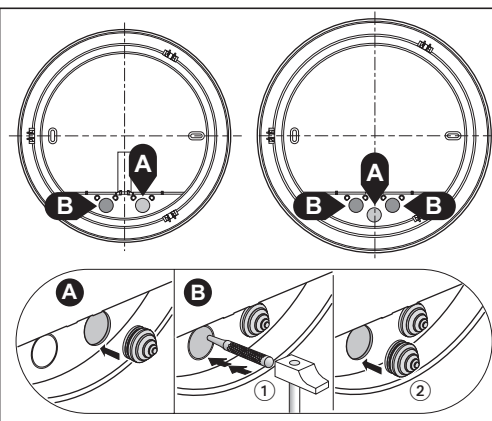
HUBLLOT SPO IP54 / ANTIVANDALE IP55



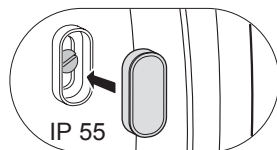
	T1 max	75 W	75 W	75 W
	T2 max	100 W	NON	100 W
	T1 max	53 W	53 W	53 W
	T2 max	70 W	NON	70 W
	T1 max	17 W		
	T2 max	21 W		
	T1 max	18 W		
	T2 max	32 W		

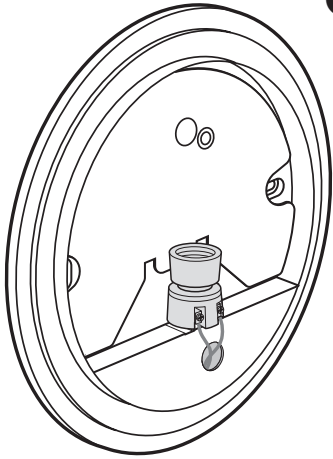


> 15 mn → OK

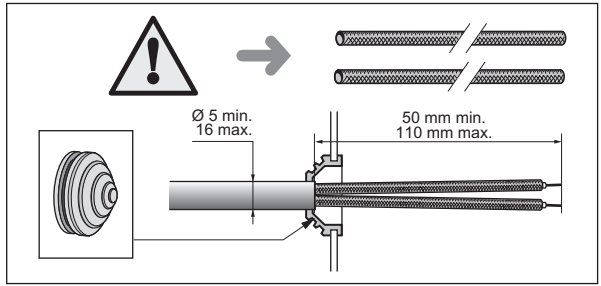



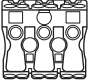
A : T1 = 190 mm  
T2 = 240 mm

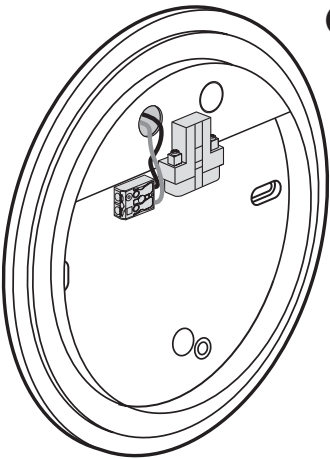




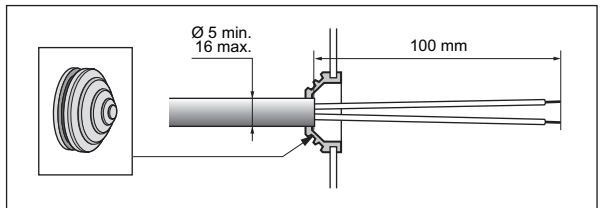
2


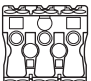


<input type="checkbox"/>	<input type="checkbox"/> HF		T1	T2
 L1 + N	 ∞ + N + L1	L1	75 W maxi	100 W maxi

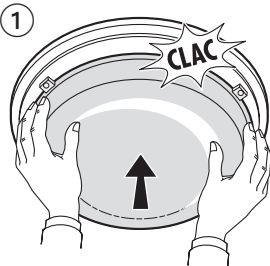


2

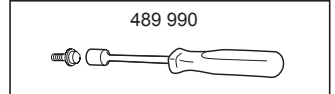
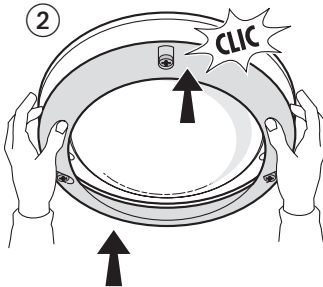


<input type="checkbox"/>	<input type="checkbox"/> HF		T1	T2
 L1 + N	 ∞ + N + L1	L1	18 W	32 W

3



2



3

