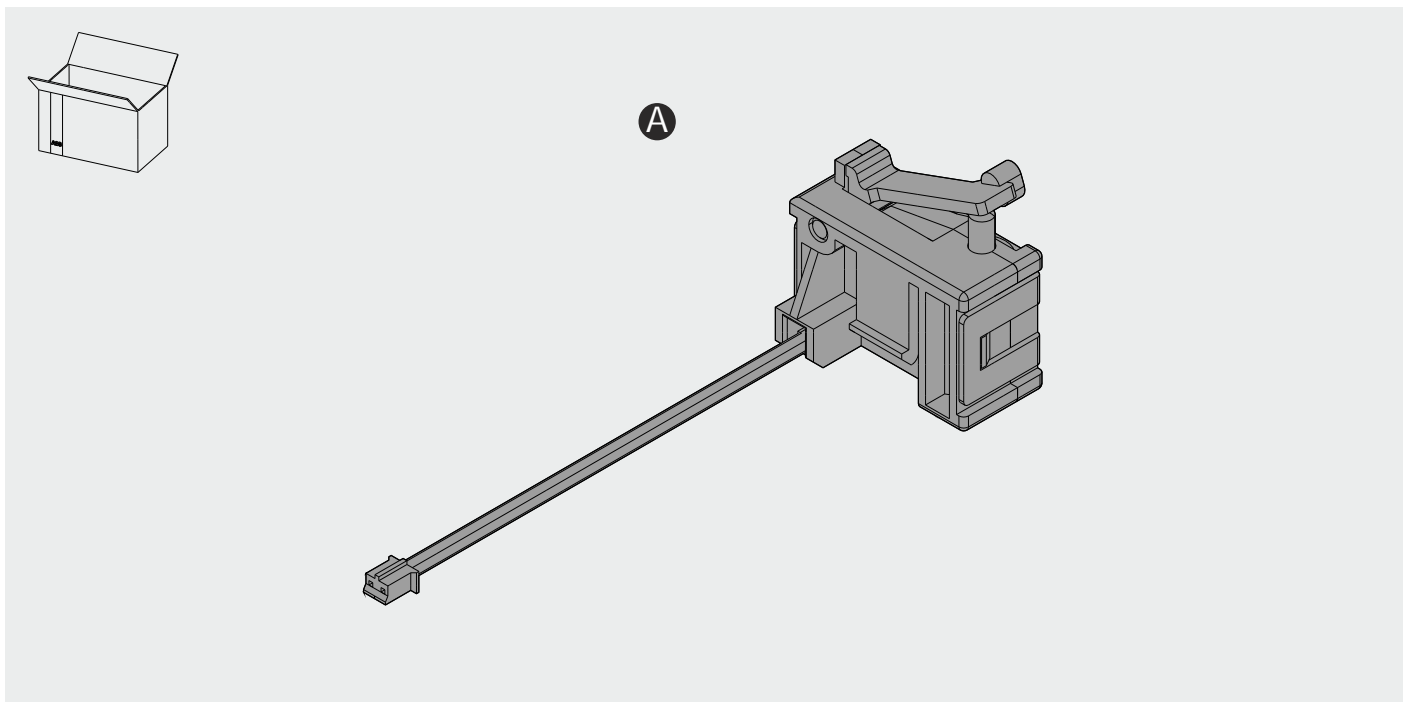
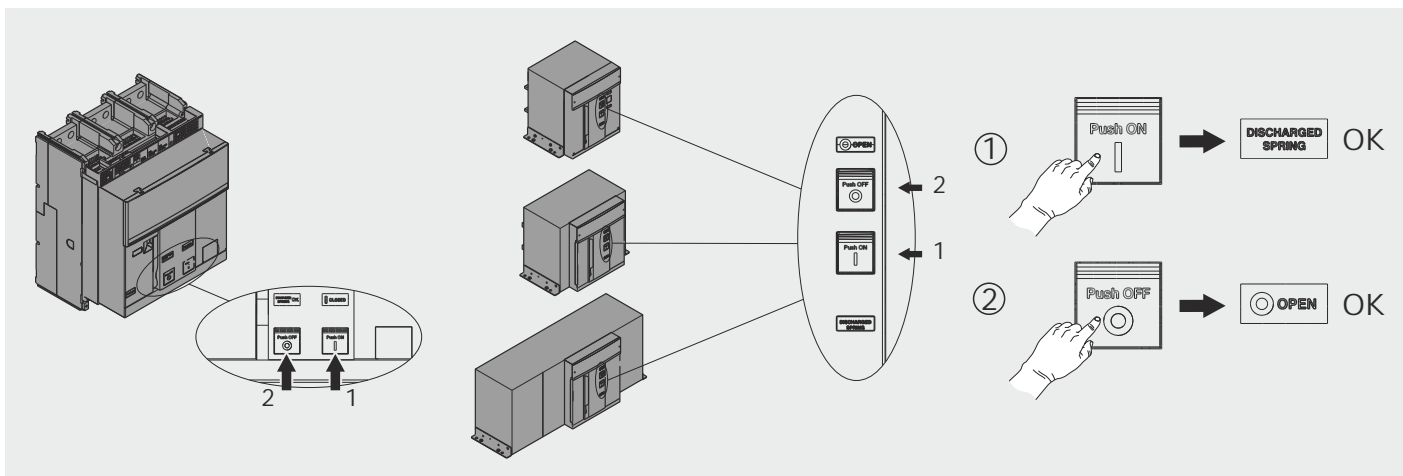


SACE Emax 2

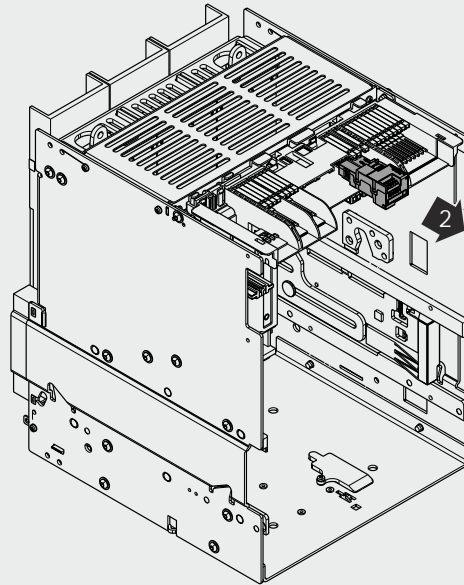
Ekip AUP Contatto ausiliario di posizione - E1.2-E2.2-E4.2-E6.2
Ekip AUP auxiliary contacts position - E1.2-E2.2-E4.2-E6.2
Hilfskontakte position Ekip AUP - E1.2-E2.2-E4.2-E6.2
Poste contacts auxiliaires Ekip AUP - E1.2-E2.2-E4.2-E6.2
Contactos auxiliares de posición Ekip AUP - E1.2-E2.2-E4.2-E6.2

E1.2W-E2.2W-E4.2W-E6.2W

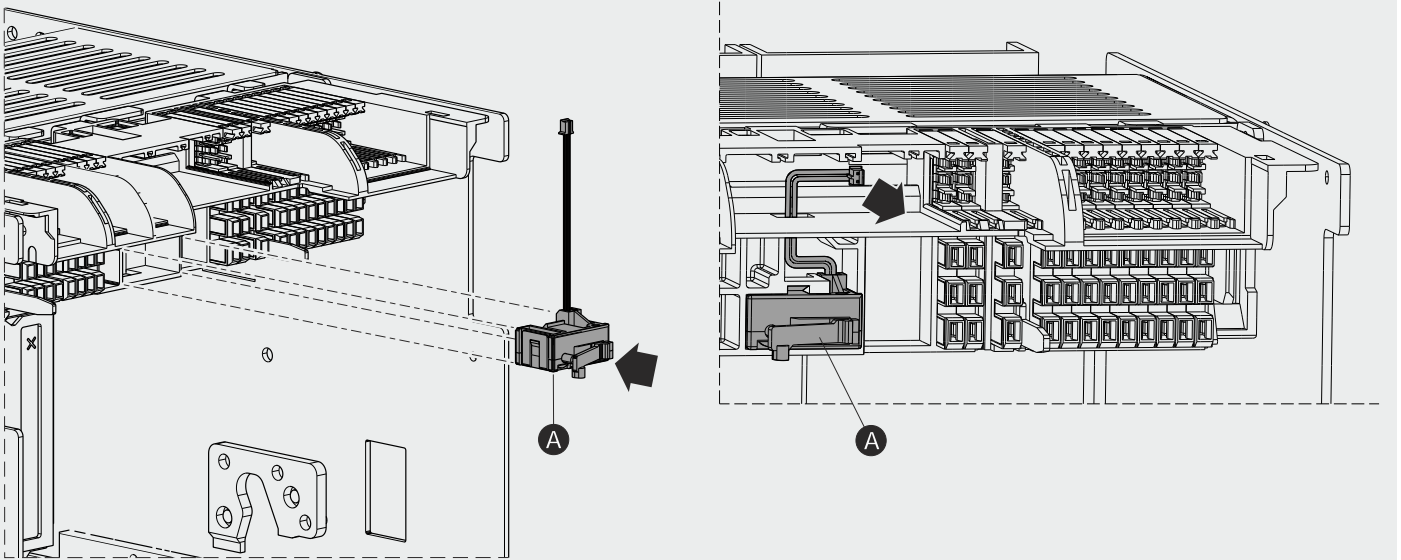


1

Staccare alimentazione dell'Ekip Supply.
 Disconnect power from the Ekip Supply module.
 Die Speisung von Ekip Supply ausschalten.
 Debrancher l'alimentation de l'Ekip Supply.
 Desconectar la alimentación del Ekip Supply.

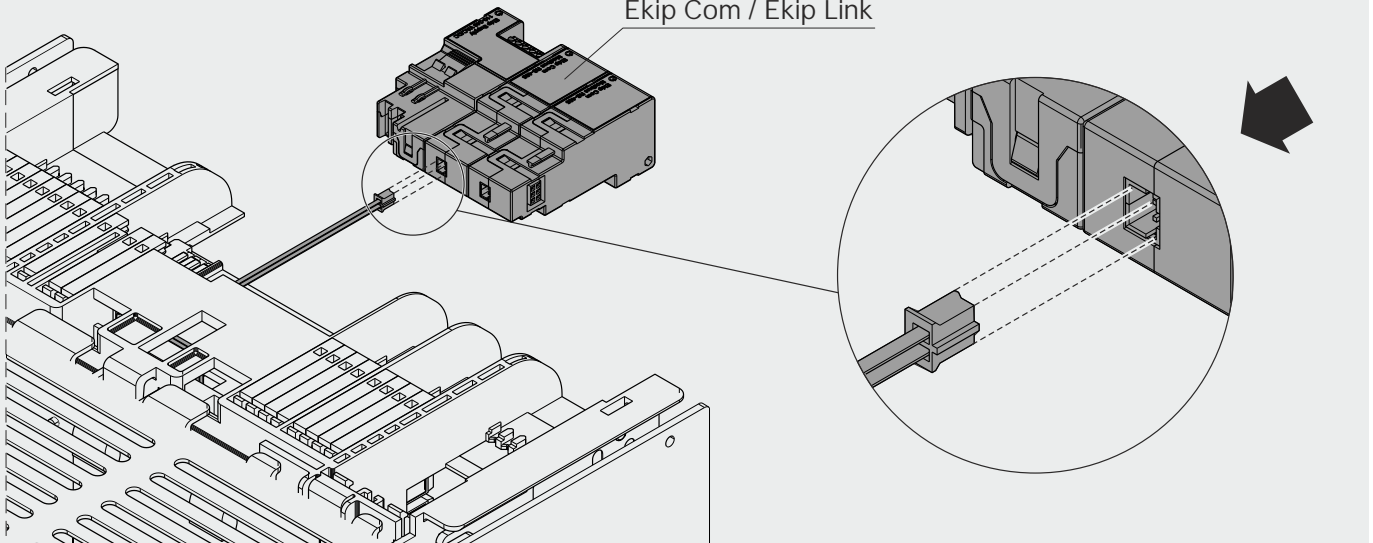


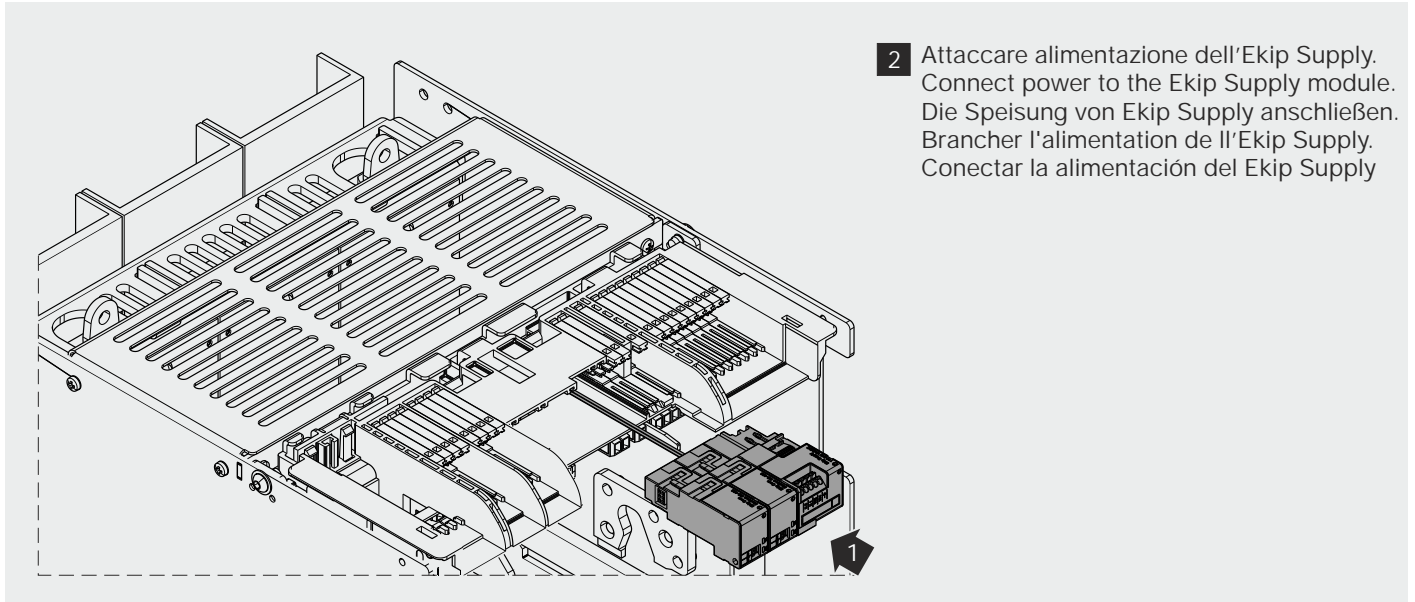
2



3

Ekip Com / Ekip Link





- 2 Attaccare alimentazione dell'Ekip Supply.
Connect power to the Ekip Supply module.
Die Speisung von Ekip Supply anschließen.
Brancher l'alimentation de l'Ekip Supply.
Conectar la alimentación del Ekip Supply

For more information please contact:

ABB S.p.A.
ABB SACE Division
Via Baioni, 35
24123 Bergamo - Italy
Phone: +39 035 395 111
Fax: +39 035 395 306 - 433