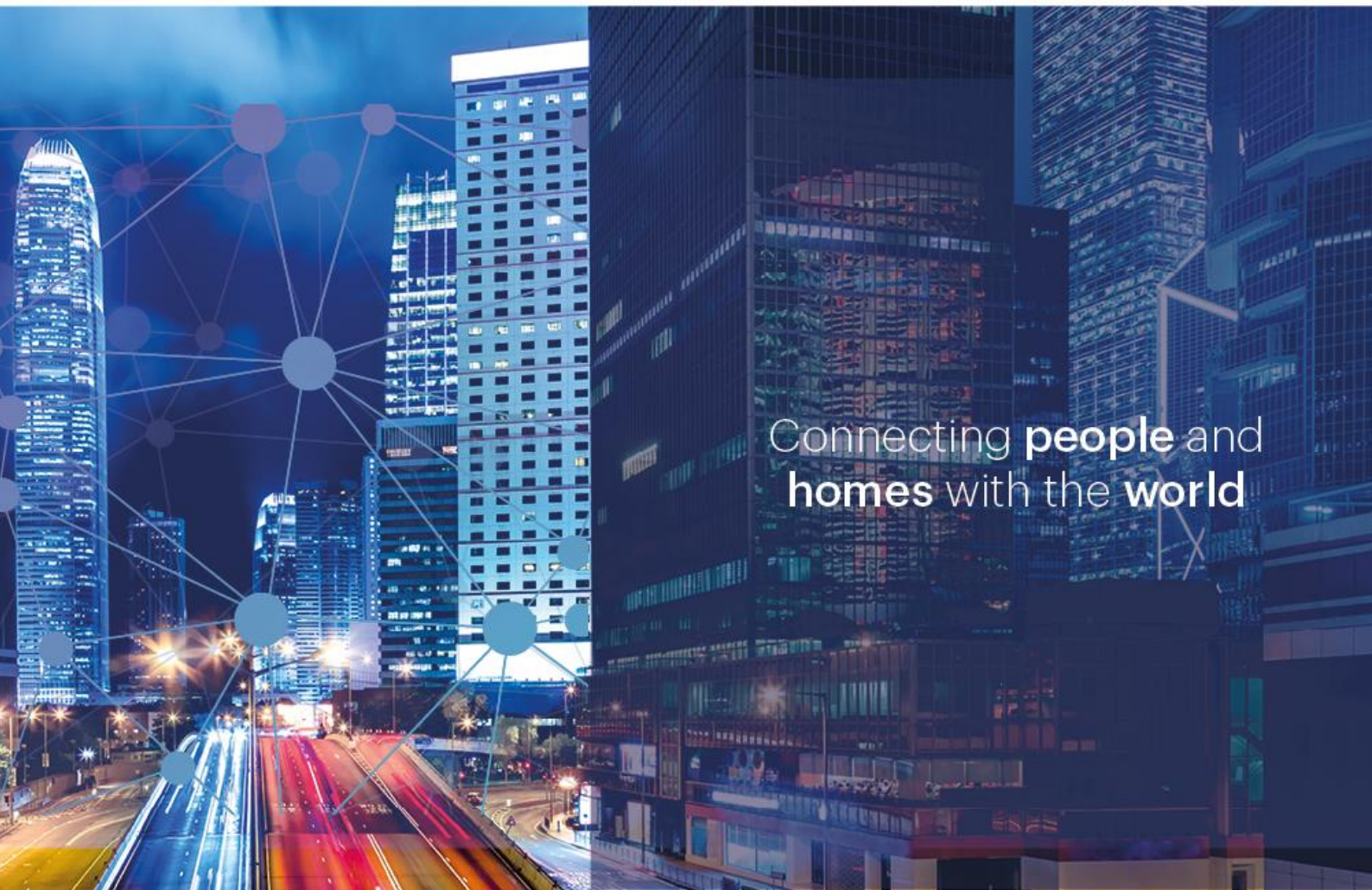


FERMAX



Connecting **people** and
homes with the **world**

**DUOX PLUS
SKYLINE KITS
4-12W**

Cod. 970285I

CONTENTS

- 1 INSTALLATION 3
 - 1.1 Skyline Panel Assembly 3
 - 1.2 Language configuration 3
 - 1.3 Flush Box and Panel Mounting 4
- 2 SCHEMATICS & DISTANCES 5
 - 2.1 Distribution (up to 2 risers) 5
 - 2.2 Cascade / Daisy Chain (up to 4 risers) 5
 - 2.3 Distances and Cable Sections 6
- 3 WIRING 7
 - 3.1 Wiring considerations 7
 - 3.2 Wiring diagram with electric door lock 12Vdc / 250mA 7
 - 3.3 Entry Panel Wiring electric door lock wiring using external power supply 8
- 4 PROGRAMMING 9
 - 4.1 DUOX PLUS Monitors 9
 - 4.2 DUOX PLUS Telephones 9

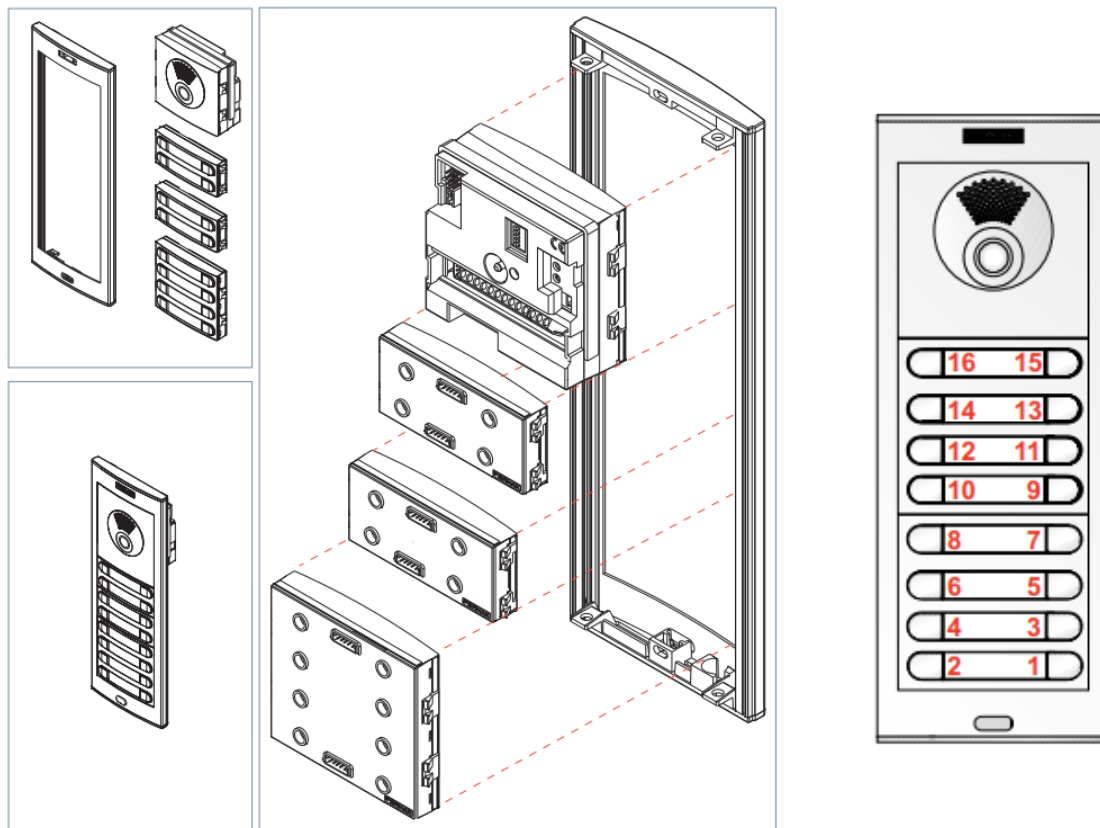
This document presents the basic concepts to install and program the KIT. For more information download the technical information / datasheets and manuals from FERMAX website by searching for the product reference or the manual code.

<http://www.fermax.com>

- Entry Panel:
 - [970049C - Skyline Panel DUOX Amplifier V40 \(Esp-Eng-Fr-De-Po\)](#)
- Power Supply:
 - [970155 - POWER SUPPLY+FILTER 24Vdc Ref. 4825 \(Esp-Eng-Fr-De-Po\)](#)
- Home Terminals:
 - [970157EIB - DUOX VEO XS Monitor \(Es-In-Fr-Al-Po\)](#)
 - [970159B - DUOX VEO Monitor \(Es-In-Fr-Al-Po\)](#)
 - [970195EIB - DUOX VEO XL Monitor \(Es-In-Fr-Al-Po\)](#)
 - [970175B - DUOX PLUS VEO Telephone \(Esp-Eng-Fr-De-Po\)](#)

1 INSTALLATION

1.1 Skyline Panel Assembly

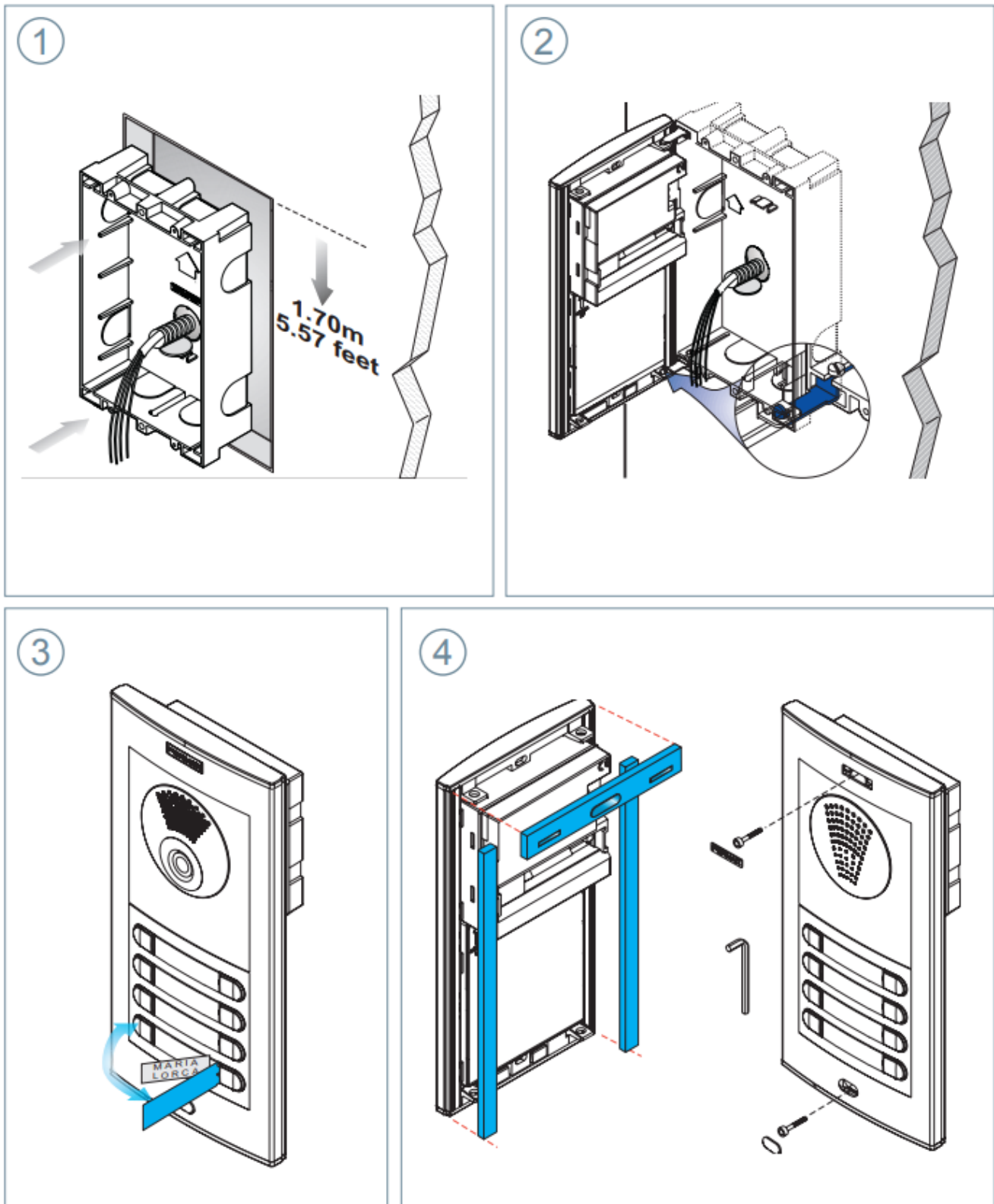


Once powered, the panel is automatically configured with the addresses sorted from right to left and from bottom to top.

1.2 Panel Language configuration

					0 – Spanish	17 – Persian/Farsi
					1 – English	18 – Arabic
					2 – French	19 – Norwegian
					3 - Dutch/Flemish	20 – Finnish
					4 – German	21 – Swedish
					5 – Catalan	22 – Danish
					6 – Valencian	23 – Icelandic
					7 – Balearic	24 – Russian
					8 – Portuguese	25 – Italian
					9 – Basque	26 – Hindi
					10 – Galician	27 – Hungarian
					11 – Greek	28 – Hebrew
					12 – Polish	29 – Croatian
					13 – Czech	30. 62 – Bell
					14 – Slovak	63 - DISABLED
					15 – Turkish	
					16 – Chinese	

1.3 Flush Box and Panel Mounting



Templates for Skyline Panel cardholder can be found in the following link:
<https://www.fermax.com/intl-en/tools/cardholder-designs>

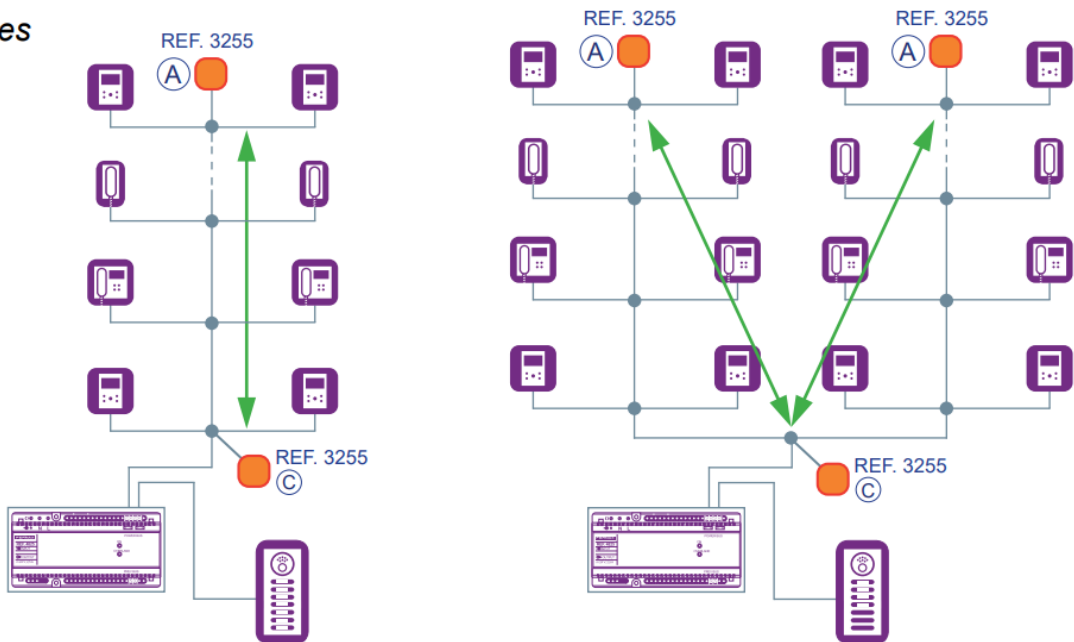
2 SCHEMATICS & DISTANCES

2.1 Distribution (up to 2 risers)

C at the FIRST POINT OF CONNECTION.

A at the LAST POINT OF CONNECTION.

Examples

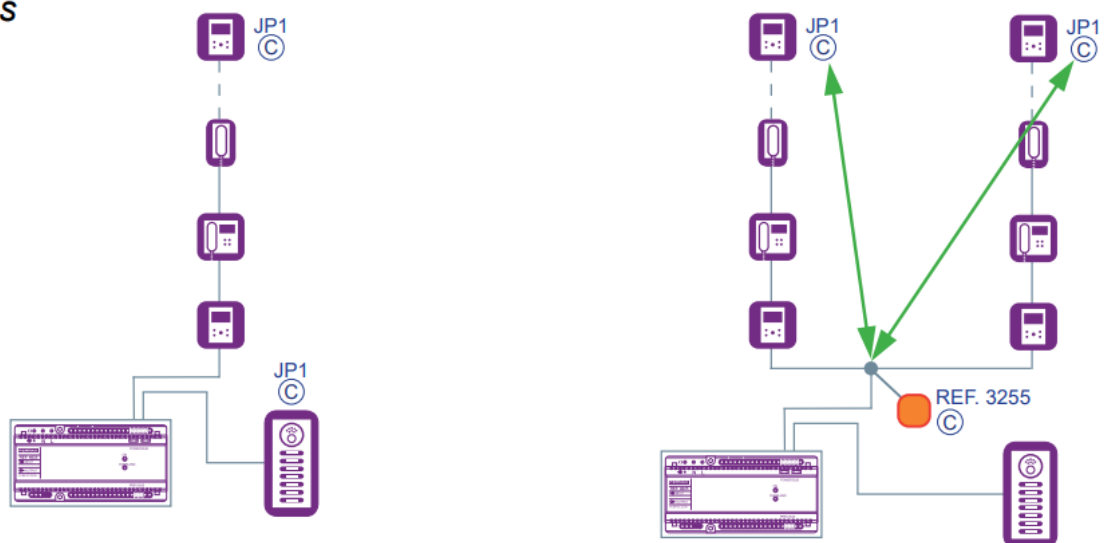


2.2 Cascade / Daisy Chain (up to 4 risers)

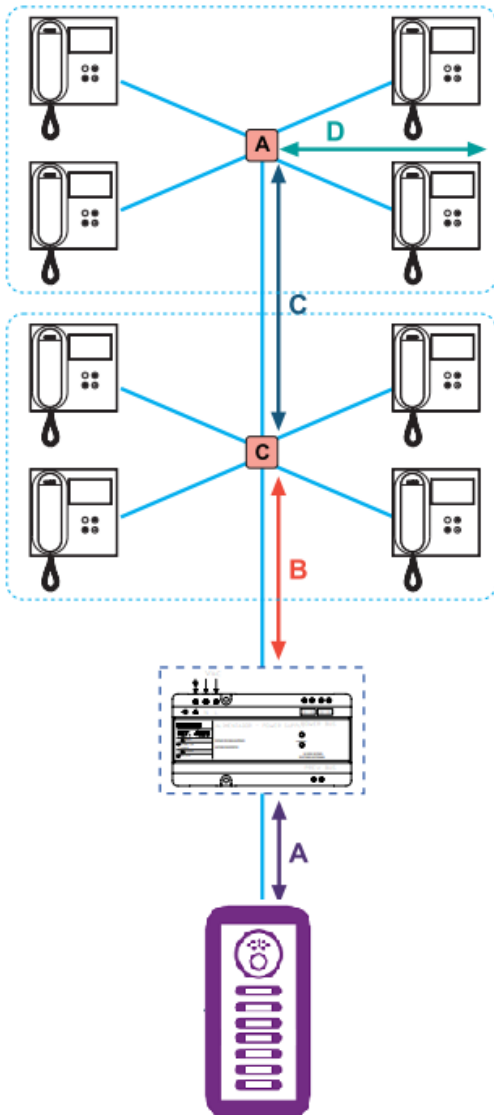
C at the FIRST CONNECTION POINT / ELEMENT (Panel or Terminal).

C at the LAST CONNECTION POINT / ELEMENT (Panel or Terminal).

Examples

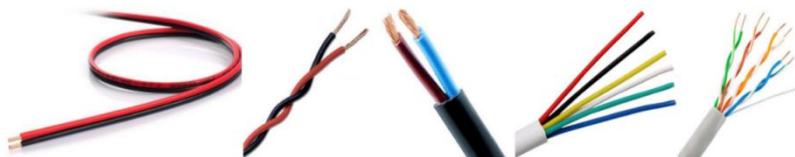


2.3 Distances and Cable Sections



	Cable Section (2 Wires)	
	Min	Recommended
Area (mm ²)	0.2	1
Diameter (mm)	0.52	1.15
AWG	24	18

	Description	Distance max (m)	
		1 riser	2-4 risers
A+B	Entry Panel - PSU - First Floor	55	25
C	Distance between Floors	3	
D	Connection point - Home Terminal	25	



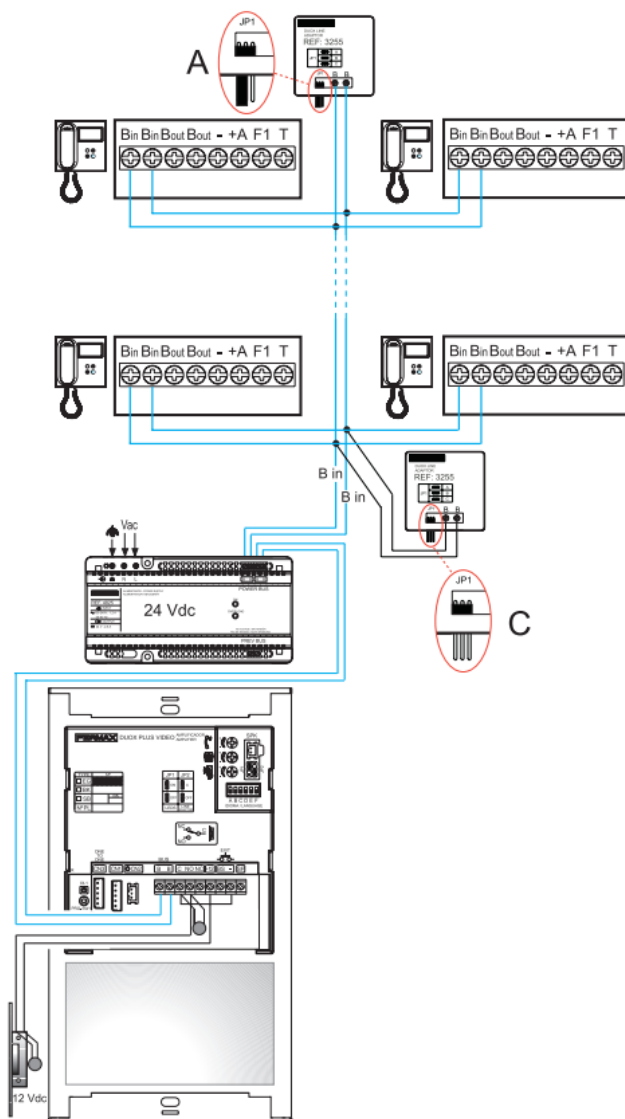
Standard Copper cable: Parallel, Cross cable, UTP, Multi-core cables are compatible with DUOX PLUS system.

3 WIRING

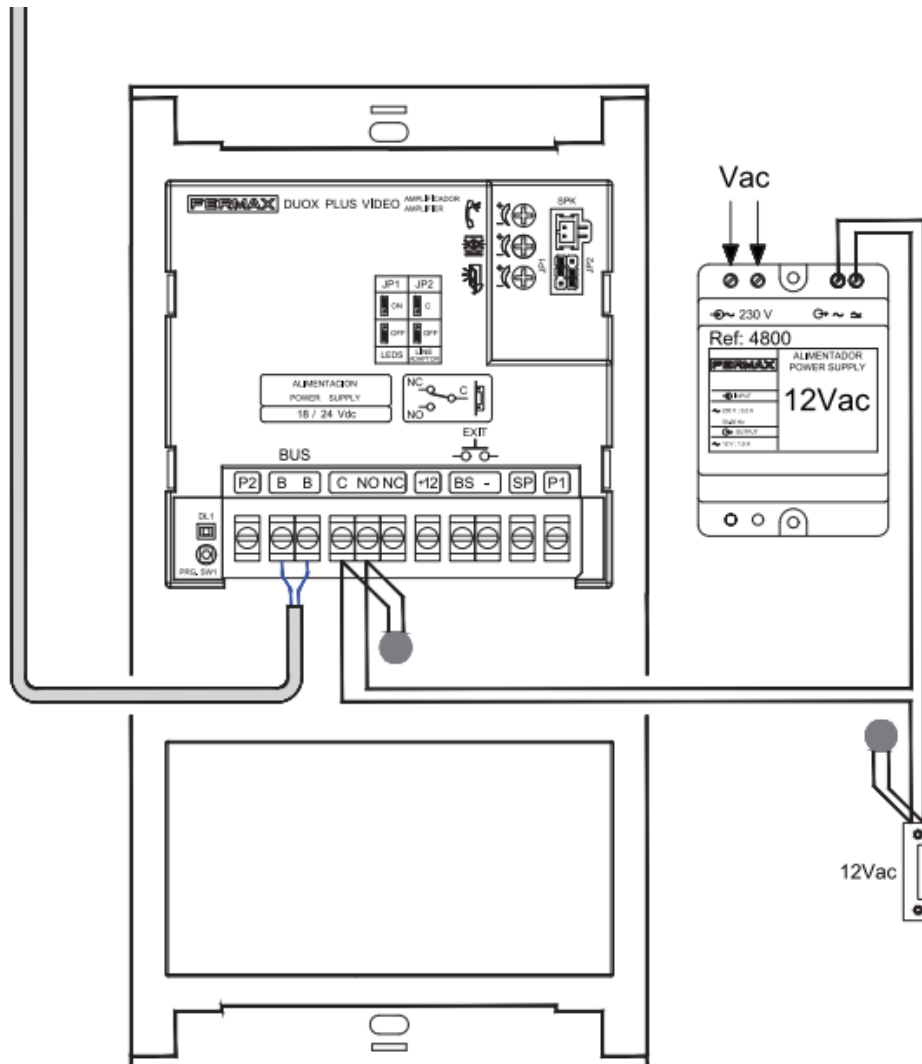
3.1 Wiring considerations

- Up to 6 terminals can be connected to the same connection point
- **Entry Panel supports the connection of an electric door lock 12VDC up to 250mA (ref: 67501). In case the door lock is AC powered and/or power consumption is higher a dedicated power supply must be installed.**
- It might be necessary to add an additional power supply, in case of additional monitors in an apartment, or if home terminals chosen are DDA monitors.
- For best operation, it is recommended to use the same cable cross-section for the entire installation.
- It is not recommended to double the pairs as it can affect the good operation of the system.

3.2 Wiring diagram with electric door lock 12Vdc / 250mA




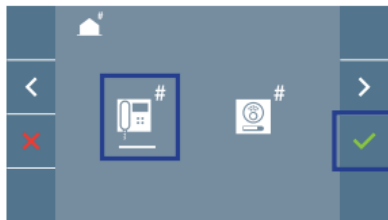
3.3 Entry Panel Wiring electric door lock wiring using external power supply




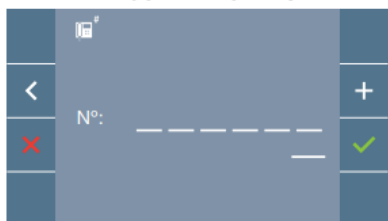
4 PROGRAMMING



4.1 DUOX PLUS Monitors

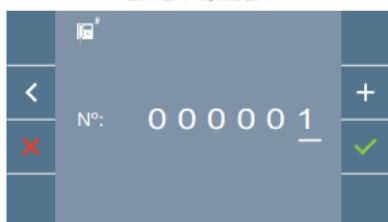
Press the  button to access the "programming menu."




Select with  the  icon and confirm with .



Each time the  is pressed the number increases (starting with 1) and the  arrow is used for moving the cursor

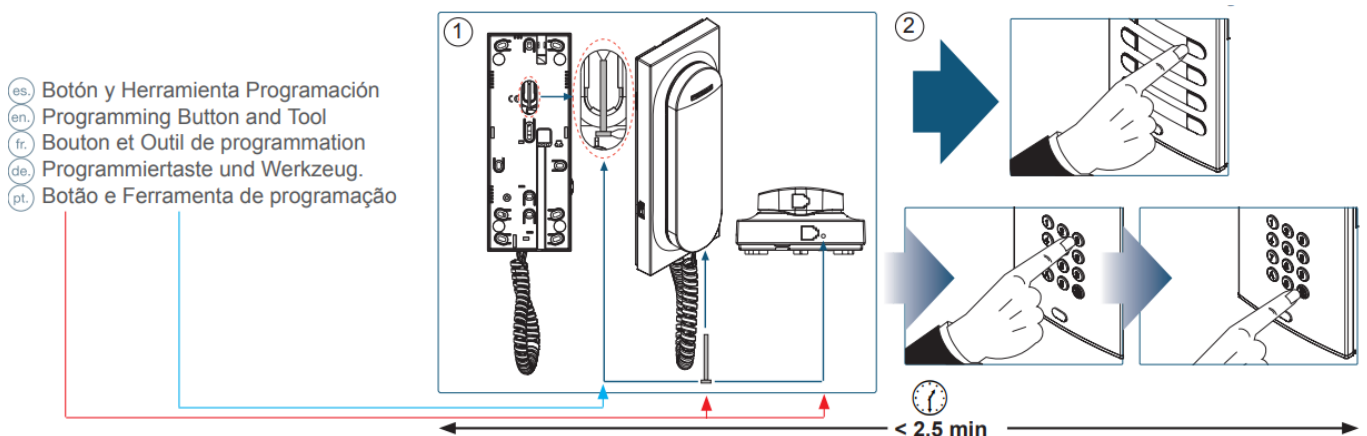


A white cursor indicates where the digit will be entered. Confirm with  to complete.

Note: A red LED, blinking slowly, indicates that the monitor is not programmed - once the monitor address is programmed, the red LED will turn off.

4.2 DUOX PLUS Telephones

The telephone will not function until it has been programmed. Programming is done from the panel activated as master: Press the Entry Panel's SW1 button 3 consecutive times quickly. After 2 seconds, a confirmation tone is heard (beep, beep), and the master panel is activated.



FERMAX

FERMAX ELECTRONICA S.A.U

Avenida Tres Cruces, 133

46017 Valencia, Spain

Email: fermax@fermax.com

Website: <http://www.fermax.com>