

# PANDUIT® NET-ACCESS N-Type Switch Cabinets

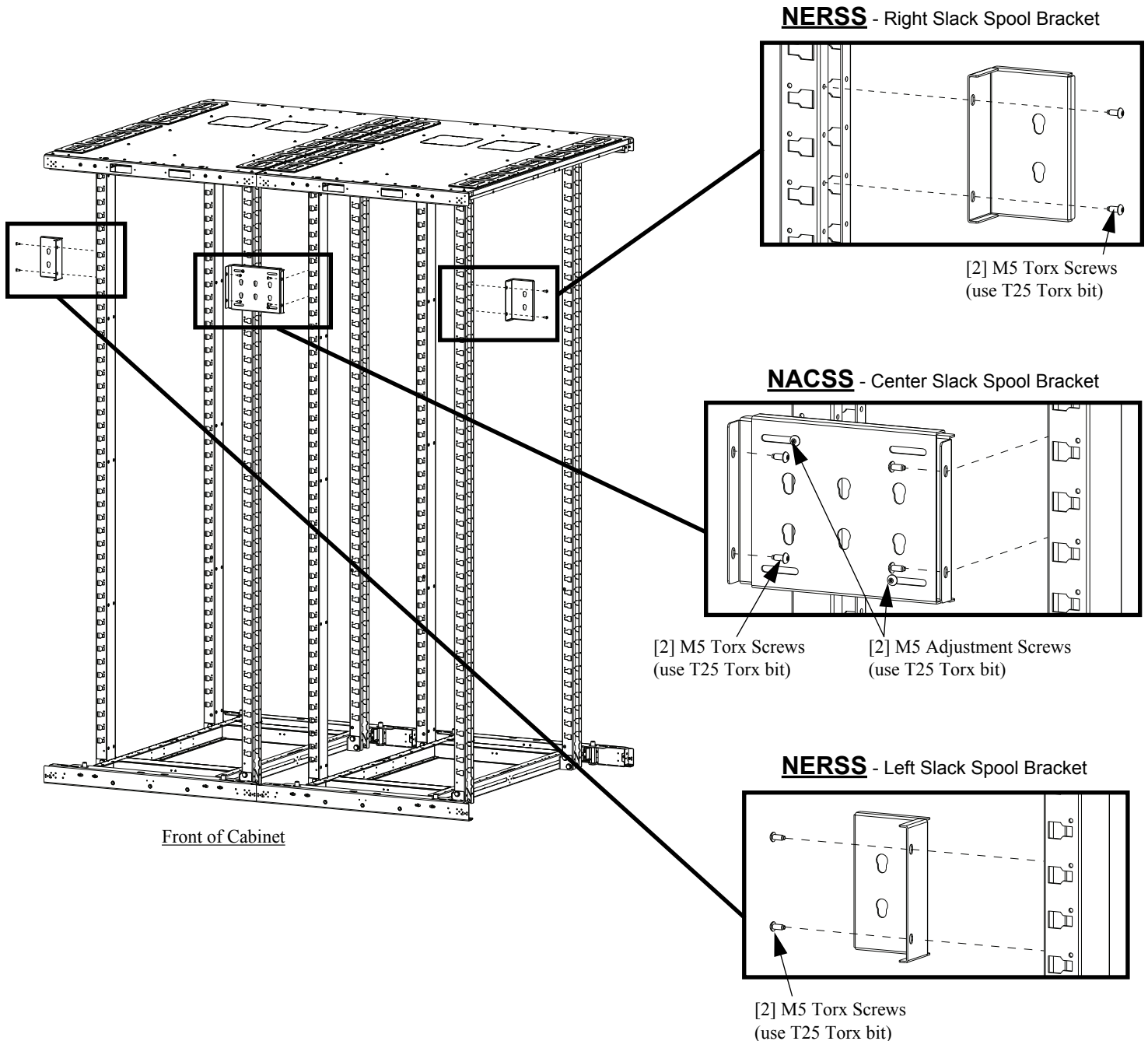
(NACSS, NERSS Slack Spool Kits)

## INSTRUCTIONS CM665

© Panduit Corp. 2013

### Install Slack Spool Brackets

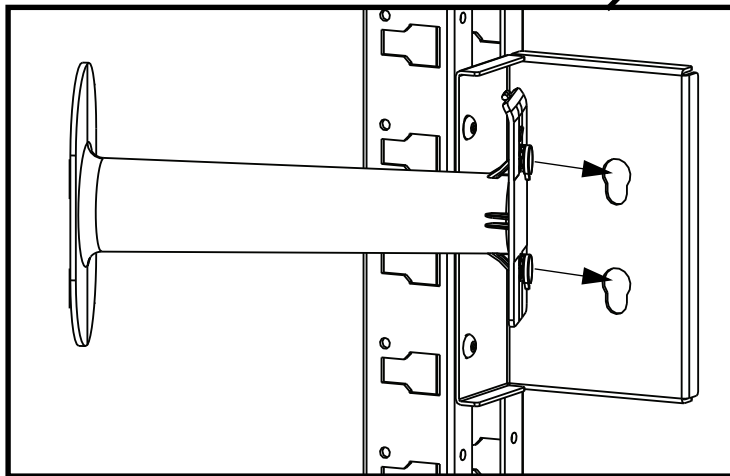
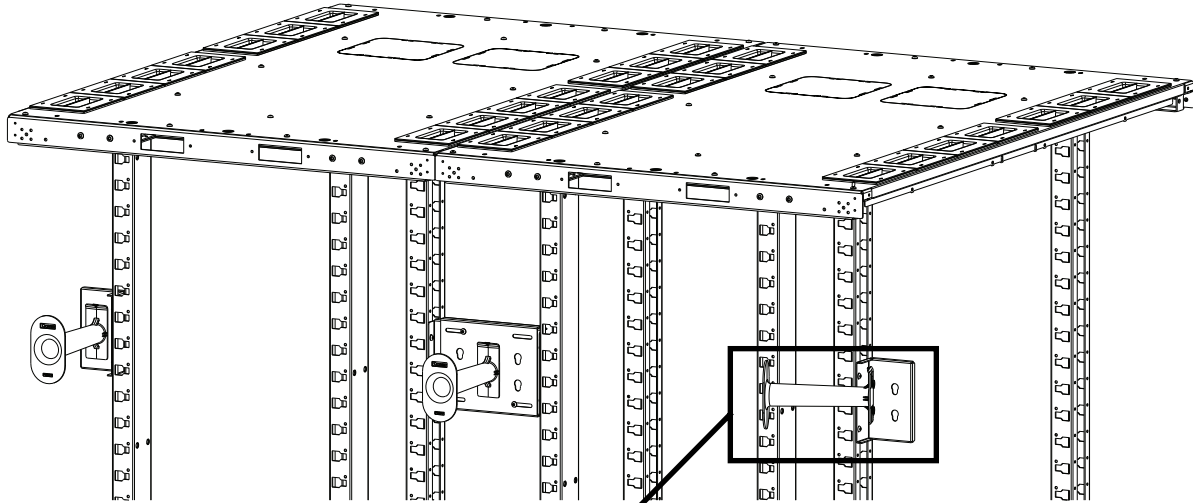
- **NACSS** - Locate mounting position for Center Bracket Assembly. Loosen adjusting screws on bracket and adjust bracket width to allow for tight fit between [2] ganged cabinets and tighten adjusting screws, if necessary. Secure Center Bracket Assembly to cabinet posts with [4] M5 Torx screws.
- **NERSS** - Locate mounting positions for Left and Right End of Row Brackets. Secure Left and Right End of Row Brackets to cabinet posts with [2] M5 Torx screws per bracket.



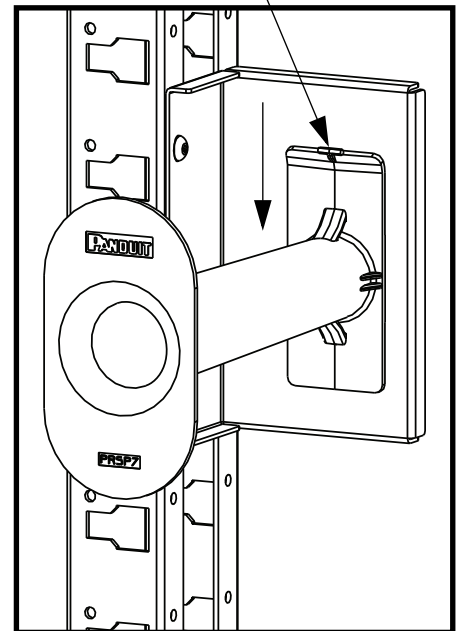
FOR TECHNICAL SUPPORT [www.panduit.com/resources/install\\_maintain.asp](http://www.panduit.com/resources/install_maintain.asp)

## Install Slack Spools

- Align Slack Spool mounting tabs with keyholes of Slack Spool Bracket(s)
- Insert mounting tabs through keyholes
- Push downward until Slack Spool clicks into place
- Pull angled flange to release and un-install Slack Spool



Align Slack Spool mounting tabs with keyholes of Slack Spool Bracket(s)



Pull Angled Flange to release and un-install slack spool

Push downward until Slack Spool clicks into place

For Instructions in Local Languages  
and Technical Support:

[www.panduit.com/resources/install\\_maintain.asp](http://www.panduit.com/resources/install_maintain.asp)

**PANDUIT**<sup>®</sup>  
www.panduit.com

E-mail:  
[techsupport@panduit.com](mailto:techsupport@panduit.com)  
Phone:  
866-405-6654