

Fiche produit

Article n° 76.352.4035.1

Capot BAS GOT GI 16HM25 A1



Article n°	76.352.4035.1
EAN	4015573629448
Unité de commande	1 Piece(s)

certificats/approbations

Données techniques

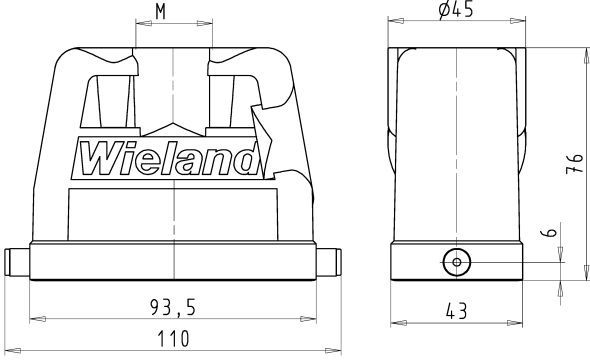
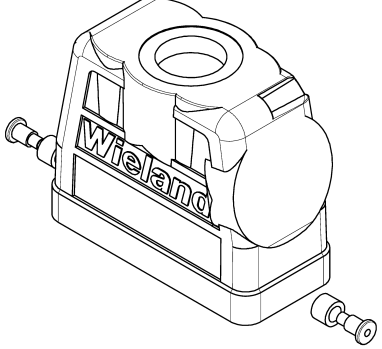
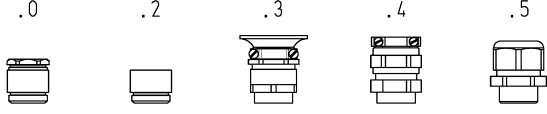
général

matière du boîtier	aluminium
Couleur	gris
Surface	Avec revêtement en poudre
Degré de protection (IP)	Autre
Résistant aux UV	Oui
classe d'inflammabilité des matériaux d'isolation selon la norme UL94	Autre
Température de fonctionnement min.	-40 °C
Portée max de température.	120 °C

Model

DIN-taille	16H
Model	Fiche
Mecanisme de verrouillage	Levier de verrouillage unique
entrée de câble	Au-dessus de
Type de câble	fil
Avec presse-étoupe	Aucun
Taille du filetage M	25
Taille du filetage PG	
Le couvercle à charnière	Aucun
EMC-version	Aucun
Longueur	94 mm
largeur	43 mm
hauteur	76 mm

Dessin technique

<p>These dimensions will be reported in mm in delivery</p> <p>These dimensions will be reported in mm in delivery</p> <p>These dimensions will be reported in mm in delivery</p> <p>These dimensions will be reported in mm in delivery</p>			<p>1</p> <p>2</p> <p>3</p> <p>4</p> <p>5</p> <p>6</p> <p>7</p> <p>8</p> <p>9</p> <p>10</p> <p>11</p> <p>12</p> <p>13</p> <p>14</p> <p>15</p> <p>16</p> <p>17</p> <p>18</p> <p>19</p> <p>20</p> <p>M1</p> <p>M2</p> <p>M3</p> <p>L</p> <p>G</p> <p>i</p> <p>11.1</p> <p>11.2</p> <p>11.1</p>																																																												
Varianten/ Variants																																																															
																																																															
		<table border="1" style="width:100%; border-collapse: collapse;"> <tr> <td style="width:15%; text-align: center;">62 52</td> <td style="width:15%; text-align: center;">76.352.4035.0</td> <td style="width:15%; text-align: center;">BAS GOT GI 16H M32 M25</td> <td style="width:15%; text-align: center;">M40 M32 M25 A0</td> <td style="width:15%; text-align: center;">Kabelverschraubung(KV), IP65 /Cable gland(CG), IP65</td> <td style="width:15%;"></td> </tr> <tr> <td style="text-align: center;">62 52</td> <td style="text-align: center;">76.354.4035.0</td> <td style="text-align: center;">BAS GOT GI 16H M32 M25</td> <td style="text-align: center;">M40 M32 M25 A0</td> <td style="text-align: center;">KV mit Zugentlastung, IP54 /CG with strain relief, IP54</td> <td style="text-align: center;">11.1</td> </tr> <tr> <td style="text-align: center;">62 52</td> <td style="text-align: center;">76.355.4035.0</td> <td style="text-align: center;">BAS GOT GI 16H M32 M25</td> <td style="text-align: center;">M40 M32 M25 A0</td> <td style="text-align: center;">KV mit Zugentlastung und Knickschutz, IP54 /CG with strain relief and bend support, IP54</td> <td style="text-align: center;">11.1</td> </tr> <tr> <td style="text-align: center;">62 52</td> <td style="text-align: center;">76.354.4035.0</td> <td style="text-align: center;">BAS GOT GI 16H M32 M25</td> <td style="text-align: center;">M40 M32 M25 A0</td> <td style="text-align: center;">Zwischenstutzen /Bushing</td> <td style="text-align: center;"></td> </tr> <tr> <td style="text-align: center;">62 52</td> <td style="text-align: center;">76.354.4035.0</td> <td style="text-align: center;">BAS GOT GI 16H M32 M25</td> <td style="text-align: center;">M40 M32 M25 A0</td> <td style="text-align: center;">Dewindebohrung /Thread hole</td> <td style="text-align: center;">X</td> </tr> <tr> <td style="text-align: center;">62 52</td> <td style="text-align: center;">76.354.4035.0</td> <td style="text-align: center;">BAS GOT GI 16H M32 M25</td> <td style="text-align: center;">M40 M32 M25 A0</td> <td style="text-align: center;">Kabelverschraubung(KV), IP54 /Cable gland(CG), IP54</td> <td style="text-align: center;"></td> </tr> <tr> <td colspan="2">Bestellnummer /Order number</td> <td colspan="2">Typ /Type</td> <td colspan="2">Varianten /Variants</td> </tr> <tr> <td colspan="4" style="text-align: center;"> Weitere Daten siehe KATALOG oder eCatalog. </td> <td colspan="2" style="text-align: center;"> www.wieland-electric.com eshop.wieland-electric.com </td> </tr> <tr> <td colspan="6"> <p>Tolerierung Size ISO 14095(2)/Tolerance system Size ISO 14095(2). (This ISO-standard describes the envelope principle. According to the envelope principle the deviations of form and position are limited by the size tolerances.)</p> <p>Freitoleranz nach DIN ISO 2768 - m (K) - Zeichnung, keine manuellen Änderungen (K) - drawing, no manual modifications allowed</p> <p>Material (Material): Aluminium beschichtet/ coated</p> <p>Maßstab (Scale): 1:1</p> <p>Werkstoff (Material): 2014</p> <p>Tag/Date: 13.08.2014</p> <p>Name: Treschow</p> <p>Zeichnung Nr./Drawing No.: 76.352.4035.0 13K</p> <p>Maße in mm/Dimensions are in mm</p> <p>Typ: reVOS BASIC</p> <p>Benennung/Title: GEHAUSEOBERTE IL</p> <p>Baugröße 16H-Kabelabgang 1x M25/M32/M40 oben Hood size 16H-cable outlet 1x M25/M32/M40 above</p> </td> </tr> <tr> <td colspan="6"> <p>763524035013K_2 CADW3028 Treschow 2014-08-14T14:18:17 1.000</p> </td> </tr> </table>		62 52	76.352.4035.0	BAS GOT GI 16H M32 M25	M40 M32 M25 A0	Kabelverschraubung(KV), IP65 /Cable gland(CG), IP65		62 52	76.354.4035.0	BAS GOT GI 16H M32 M25	M40 M32 M25 A0	KV mit Zugentlastung, IP54 /CG with strain relief, IP54	11.1	62 52	76.355.4035.0	BAS GOT GI 16H M32 M25	M40 M32 M25 A0	KV mit Zugentlastung und Knickschutz, IP54 /CG with strain relief and bend support, IP54	11.1	62 52	76.354.4035.0	BAS GOT GI 16H M32 M25	M40 M32 M25 A0	Zwischenstutzen /Bushing		62 52	76.354.4035.0	BAS GOT GI 16H M32 M25	M40 M32 M25 A0	Dewindebohrung /Thread hole	X	62 52	76.354.4035.0	BAS GOT GI 16H M32 M25	M40 M32 M25 A0	Kabelverschraubung(KV), IP54 /Cable gland(CG), IP54		Bestellnummer /Order number		Typ /Type		Varianten /Variants		Weitere Daten siehe KATALOG oder eCatalog.				www.wieland-electric.com eshop.wieland-electric.com		<p>Tolerierung Size ISO 14095(2)/Tolerance system Size ISO 14095(2). (This ISO-standard describes the envelope principle. According to the envelope principle the deviations of form and position are limited by the size tolerances.)</p> <p>Freitoleranz nach DIN ISO 2768 - m (K) - Zeichnung, keine manuellen Änderungen (K) - drawing, no manual modifications allowed</p> <p>Material (Material): Aluminium beschichtet/ coated</p> <p>Maßstab (Scale): 1:1</p> <p>Werkstoff (Material): 2014</p> <p>Tag/Date: 13.08.2014</p> <p>Name: Treschow</p> <p>Zeichnung Nr./Drawing No.: 76.352.4035.0 13K</p> <p>Maße in mm/Dimensions are in mm</p> <p>Typ: reVOS BASIC</p> <p>Benennung/Title: GEHAUSEOBERTE IL</p> <p>Baugröße 16H-Kabelabgang 1x M25/M32/M40 oben Hood size 16H-cable outlet 1x M25/M32/M40 above</p>						<p>763524035013K_2 CADW3028 Treschow 2014-08-14T14:18:17 1.000</p>					
62 52	76.352.4035.0	BAS GOT GI 16H M32 M25	M40 M32 M25 A0	Kabelverschraubung(KV), IP65 /Cable gland(CG), IP65																																																											
62 52	76.354.4035.0	BAS GOT GI 16H M32 M25	M40 M32 M25 A0	KV mit Zugentlastung, IP54 /CG with strain relief, IP54	11.1																																																										
62 52	76.355.4035.0	BAS GOT GI 16H M32 M25	M40 M32 M25 A0	KV mit Zugentlastung und Knickschutz, IP54 /CG with strain relief and bend support, IP54	11.1																																																										
62 52	76.354.4035.0	BAS GOT GI 16H M32 M25	M40 M32 M25 A0	Zwischenstutzen /Bushing																																																											
62 52	76.354.4035.0	BAS GOT GI 16H M32 M25	M40 M32 M25 A0	Dewindebohrung /Thread hole	X																																																										
62 52	76.354.4035.0	BAS GOT GI 16H M32 M25	M40 M32 M25 A0	Kabelverschraubung(KV), IP54 /Cable gland(CG), IP54																																																											
Bestellnummer /Order number		Typ /Type		Varianten /Variants																																																											
Weitere Daten siehe KATALOG oder eCatalog.				www.wieland-electric.com eshop.wieland-electric.com																																																											
<p>Tolerierung Size ISO 14095(2)/Tolerance system Size ISO 14095(2). (This ISO-standard describes the envelope principle. According to the envelope principle the deviations of form and position are limited by the size tolerances.)</p> <p>Freitoleranz nach DIN ISO 2768 - m (K) - Zeichnung, keine manuellen Änderungen (K) - drawing, no manual modifications allowed</p> <p>Material (Material): Aluminium beschichtet/ coated</p> <p>Maßstab (Scale): 1:1</p> <p>Werkstoff (Material): 2014</p> <p>Tag/Date: 13.08.2014</p> <p>Name: Treschow</p> <p>Zeichnung Nr./Drawing No.: 76.352.4035.0 13K</p> <p>Maße in mm/Dimensions are in mm</p> <p>Typ: reVOS BASIC</p> <p>Benennung/Title: GEHAUSEOBERTE IL</p> <p>Baugröße 16H-Kabelabgang 1x M25/M32/M40 oben Hood size 16H-cable outlet 1x M25/M32/M40 above</p>																																																															
<p>763524035013K_2 CADW3028 Treschow 2014-08-14T14:18:17 1.000</p>																																																															