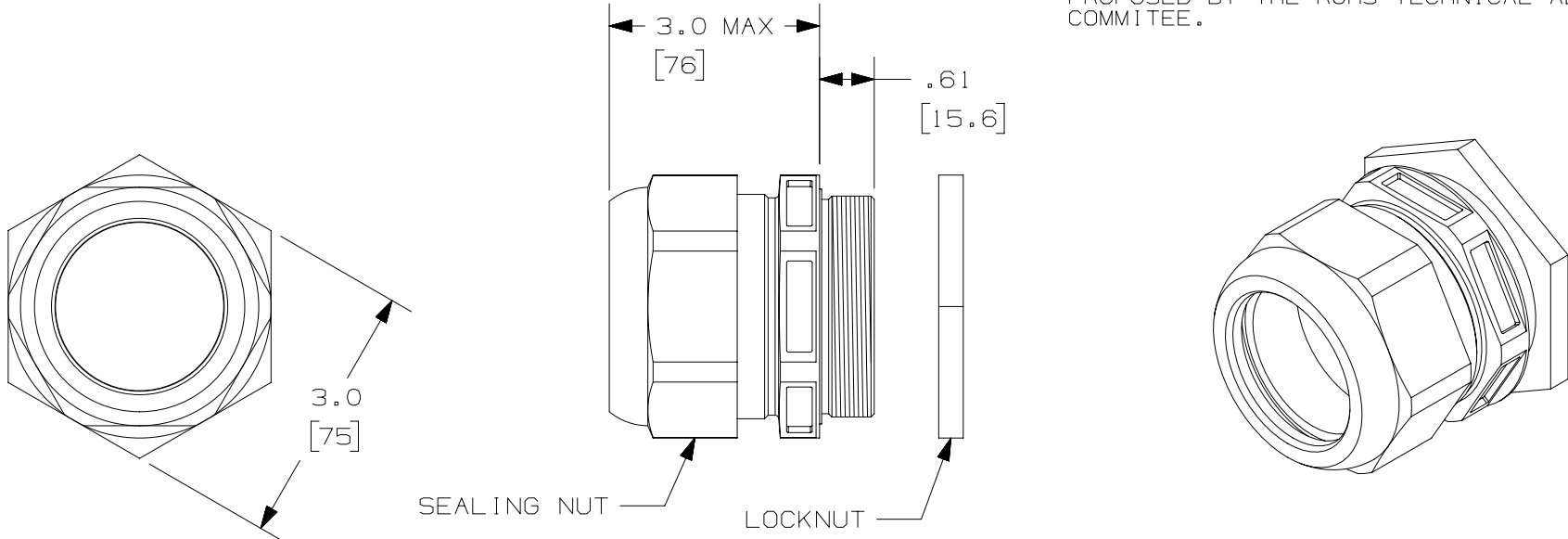


THIS COPY IS PROVIDED ON A RESTRICTED BASIS AND IS NOT TO BE USED IN ANY WAY DETRIMENTAL TO THE INTERESTS OF PANDUIT CORP.

PANDUIT P/N	WEIGHT
FWMHSS-CG3448	.33 LBS EACH (148.0g EACH)

**NOTES:**

1. SEE CURRENT CATALOG FOR COMPLETE LIST OF PARTS APPLICABLE FOR USE WITH THIS PRODUCT.
2. DIMENSIONS IN PARENTHESES ARE METRIC.
3. MATERIAL: PLASTIC
4. SUGGESTED MOUNTING CLEARANCE HOLE DIAMETER: 2.5 [64].
5. ALL MATERIALS AND COMPONENTS USED MEET THE MATERIAL RESTRICTIONS OF RoHS, (EUROPEAN DIRECTIVE 2011/65/EC ON THE RESTRICTIONS OF HAZARDOUS SUBSTANCES) AS PROPOSED BY THE RoHS TECHNICAL ADAPTATION COMMITTEE.



OOA	12-03-19	SAT	BONS	AW	INITIAL RELEASE					00174EWR-DC	
REV	DATE	BY	CHK	APR	DESCRIPTION					ECN	

TITLE					CABLE GLAND 34mm - 48mm					
CUSTOMER DRAWING										
ITEM REVISION NAME					00174EWR/00					
DATASET FILE NAME					00174EWR_DC/00A					
UNLESS OTHERWISE SPECIFIED, DIMENSIONAL TOLERANCES ARE: IN [mm]					<b>PANDUIT</b>  PART NO. SEE TABLE  DRAWING NUMBER: 00174EWR-DC					
.x ±			.xxx ± .010 [0.3]							
.xx ± .03 [0.8]			ANGLES ±							
DRAWN BY					THIRD ANGLE PROJECTION					
SAT					11-26-19					
BONS					1:1					
SHT 1 OF 1					A					