



Product type designation

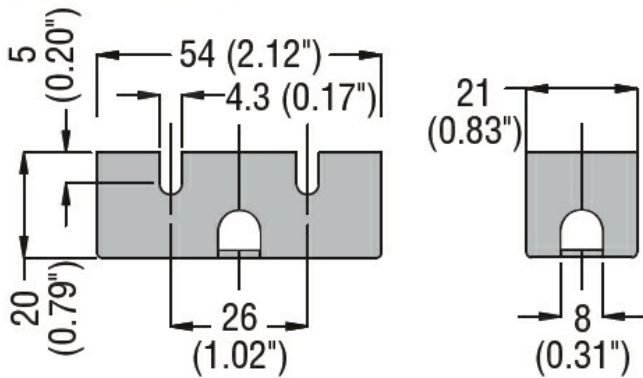
KSSC01

Mechanical features

Weight

g 7

Dimensions



Certifications and compliance

Compliance

- CSA C22.2 n° 14.
- IEC/EN 60947-1
- IEC/EN 60947-5-1
- IEC/EN 61058-1
- UL508

Certificates

- cURus
- EAC

ETIM classification

ETIM 8.0

EC002848 -
 Accessories/spare
 parts for
 terminals