

1SET111033R0000 ✓ ACTIVE

ENTRELEC

TE Internal #: 1SET111033R0000

Crimp Wire Pins, Tabs & Ferrules, Ferrule, Pin Diameter 2.8 mm, 12

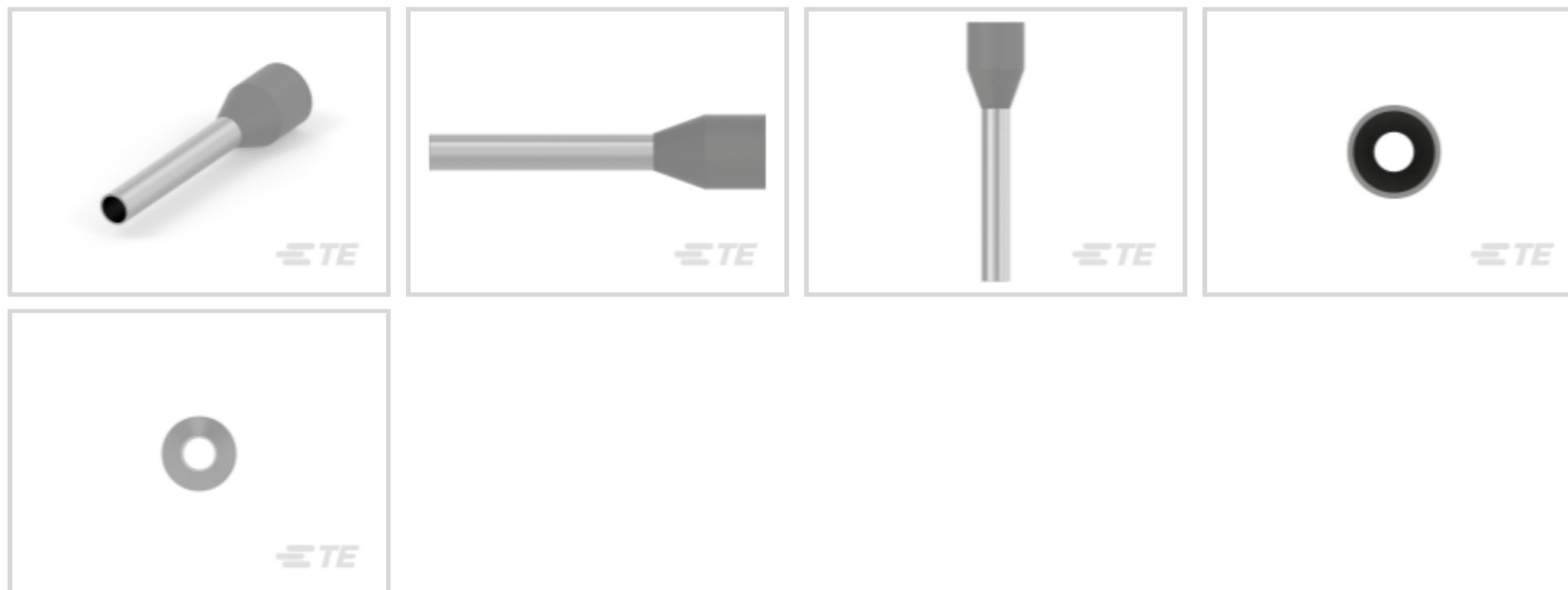
AWG Wire Size, 4 mm² Wire Size, .111 in [2.8 mm] Barrel Inside

Diameter, Closed

[View on TE.com >](#)



Terminals & Splices > Crimp Wire Pins, Tabs & Ferrules



Crimp Wire Pin, Tab & Ferrule Terminal Type: **Ferrule**

Pin Diameter: **2.8 mm**

Accepts Wire Insulation Diameter Range: **4.7 mm, 4.8 mm [.186 in, .189 in]**

Wire Size: **4 mm²**

Features

Product Type Features

Sealable	No
Compatible With Discrete Wire Type	Stranded
Wire Insulation Support Retention Type	Insulation Support

Configuration Features

Compatible With Wire & Cable Type	Discrete Wire
-----------------------------------	---------------

Body Features

Double Wire	No
Insulation Material	PP

Contact Features

Terminal Length	12 mm[.468 in]
Crimp Wire Pin, Tab & Ferrule Terminal Type	Ferrule
Barrel Type	Closed
Terminal Plating Material	Tin
Terminal Orientation	Straight



Mechanical Attachment

Wire Insulation Support	Without
-------------------------	---------

Dimensions

2-Wire Size	4 mm ²
Strip Length	14 mm[.551 in]
Pin Diameter	2.8 mm
Accepts Wire Insulation Diameter Range	4.7 mm, 4.8 mm[.186 in][.189 in]
Wire Size	4 mm ²
Barrel Inside Diameter	2.8 mm[.111 in]
Terminal Material Thickness	.2 mm[.007 in]
Overall Product Length	20 mm[.787 in]

Usage Conditions

Insulation Option	Partially Insulated
Operating Temperature Range	105 °C[221 °F]

Operation/Application

Heavy Duty	No
------------	----

Packaging Features

Packaging Quantity	500
Packaging Method	Bag

Product Compliance

[For compliance documentation, visit the product page on TE.com>](#)

EU RoHS Directive 2011/65/EU	Compliant
EU ELV Directive 2000/53/EC	Compliant
China RoHS 2 Directive MIIT Order No 32, 2016	No Restricted Materials Above Threshold
EU REACH Regulation (EC) No. 1907/2006	Current ECHA Candidate List: JUNE 2022 (224) Candidate List Declared Against: JAN 2021 (211) Does not contain REACH SVHC
Halogen Content	Low Halogen - Br, Cl, F, I < 900 ppm per homogenous material. Also BFR/CFR/PVC Free
Solder Process Capability	Not reviewed for solder process capability

Product Compliance Disclaimer

This information is provided based on reasonable inquiry of our suppliers and represents our current actual knowledge based on the information they provided. This information is subject to change. The part numbers that TE has identified as EU RoHS compliant have a maximum concentration of 0.1% by weight in homogenous materials for lead, hexavalent chromium, mercury, PBB, PBDE, DBP, BBP, DEHP, DIBP, and 0.01% for cadmium, or qualify for an exemption to these limits as defined in the Annexes of Directive 2011/65/EU (RoHS2). Finished electrical and electronic equipment products will be CE marked as required by Directive 2011/65/EU. Components may not be CE marked. Additionally, the part numbers that TE has identified as EU ELV compliant have a maximum concentration of 0.1% by weight in homogenous materials for lead, hexavalent chromium, and mercury, and 0.01% for cadmium, or qualify for an exemption to these limits as defined in the Annexes of Directive 2000/53/EC (ELV). Regarding the REACH Regulation, the information TE provides on SVHC in articles for this part number is based on the latest European Chemicals Agency (ECHA) 'Guidance on requirements for substances in articles' posted at this URL: <https://echa.europa.eu/guidance-documents/guidance-on-reach>

Compatible Parts



TE Part # 539660-1
ADERENDHUELSEN (Ferrule) Crimp Tool



TE Part # 1SNK706012R0000
ZK4-4P



TE Part # 1SNK806712R0000
CDK4



TE Part # 1SNK806713R0000
CDK4-E



TE Part # 1SNK706010R0000
ZK4



TE Part # 1SNK706011R0000
ZK4-3P



TE Part # 1SNK706150R0000
ZK4-PE



TE Part # 1SNK706151R0000
ZK4-PE-3P



TE Part # 1SNK706152R0000
ZK4-PE-4P



TE Part # 1SNK708010R0000
ZK6



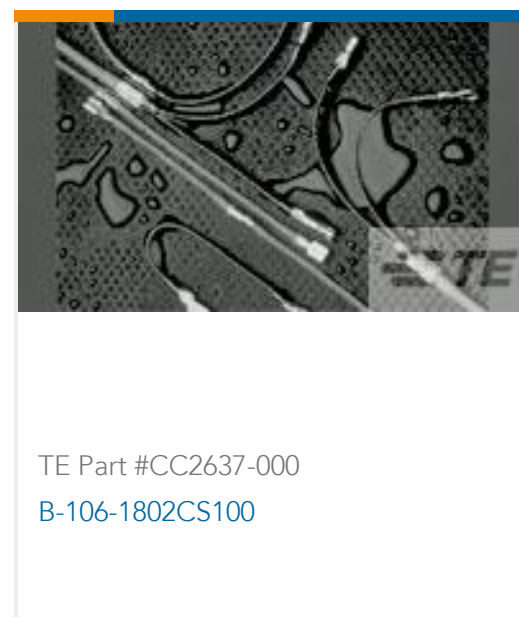
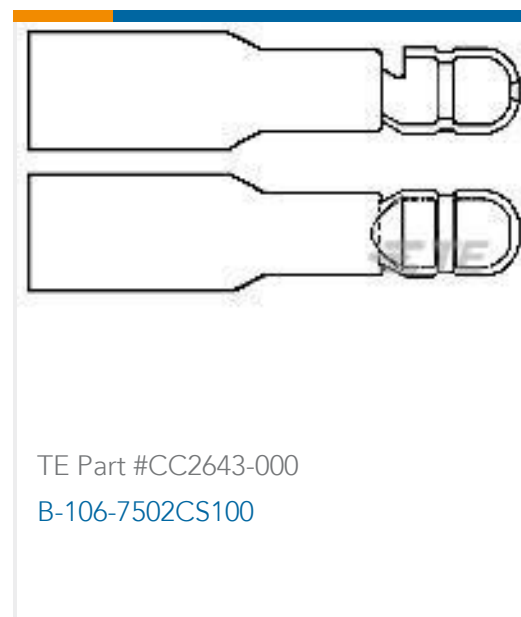
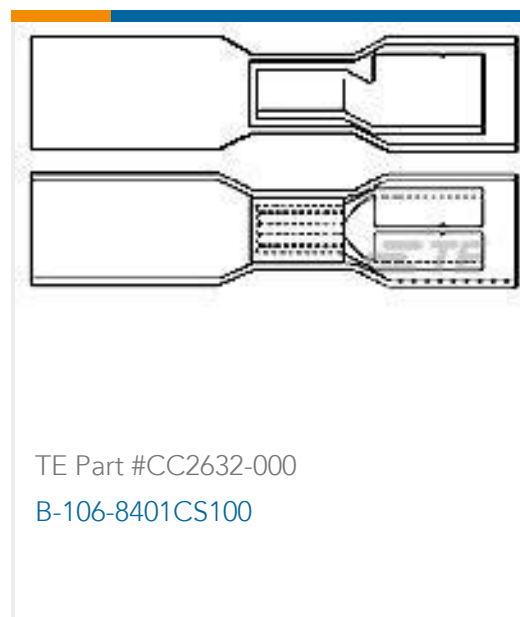
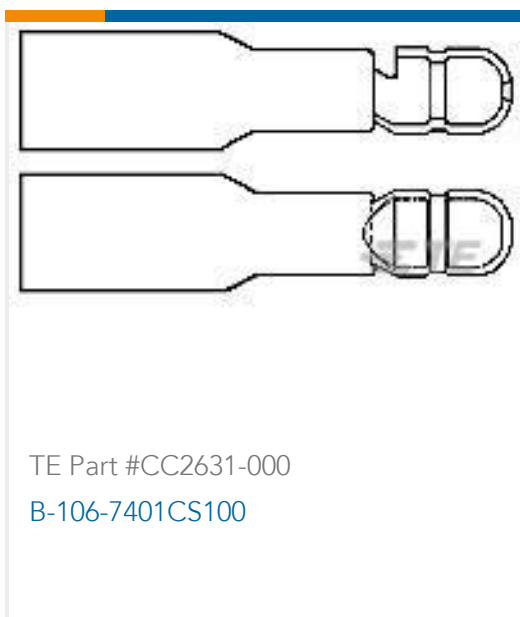
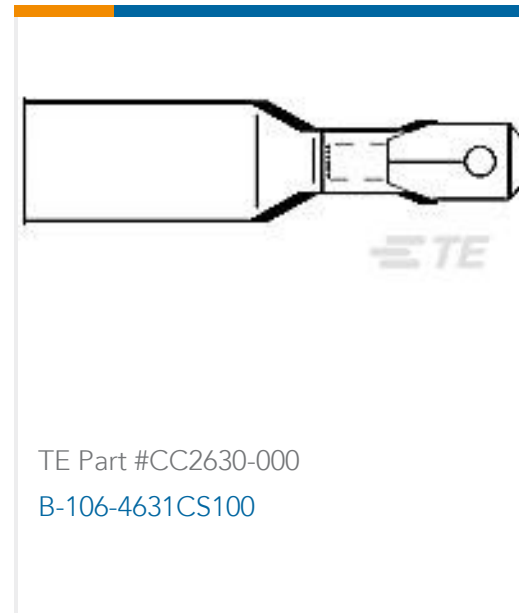
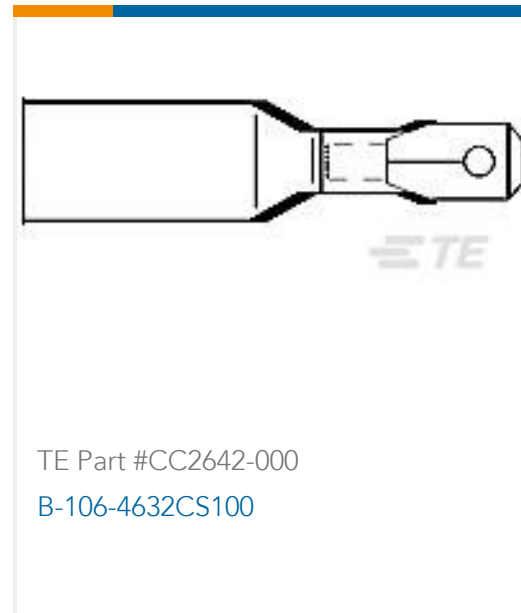
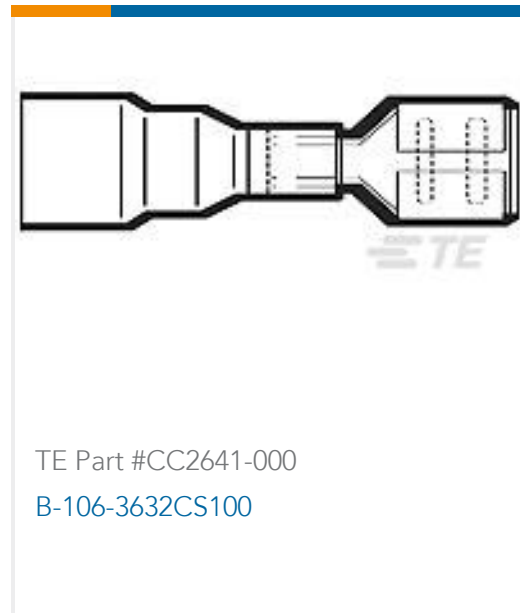
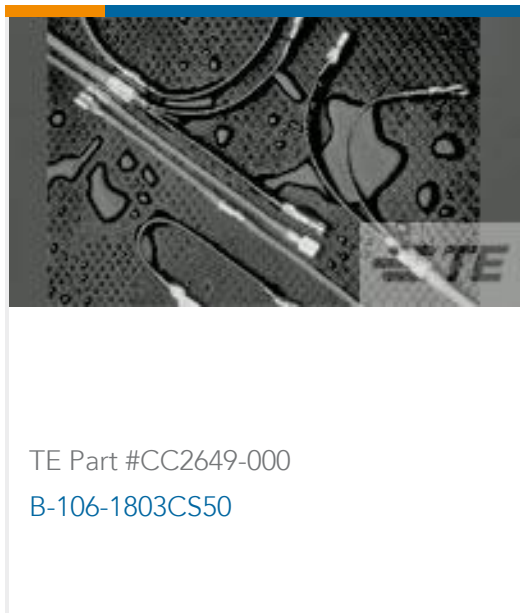
TE Part # 1SNK708011R0000
ZK6-3P



TE Part # 1SNK708150R0000
ZK6-PE



Customers Also Bought



Documents



Product Drawings

[WF040-12-GR](#)

English

Datasheets & Catalog Pages

[Infographic - entrelec ews-linecard](#)

English

[ENTRELEC - INSULATED WIRE END FERRULES](#)

[ENTRELEC - INSULATED WIRE END FERRULES](#)

English

[ENTRELEC - INSULATED WIRE END FERRULES](#)

French

[Essential Entrelec Terminal Blocks](#)

French

[Essential Entrelec Terminal Blocks](#)

English

Agency Approvals

[UL](#)

English