

COUDE 45 ° P31 RM H50 50 à 600  
 FLAT BEND 45 ° P31 RM H50 50 to 600

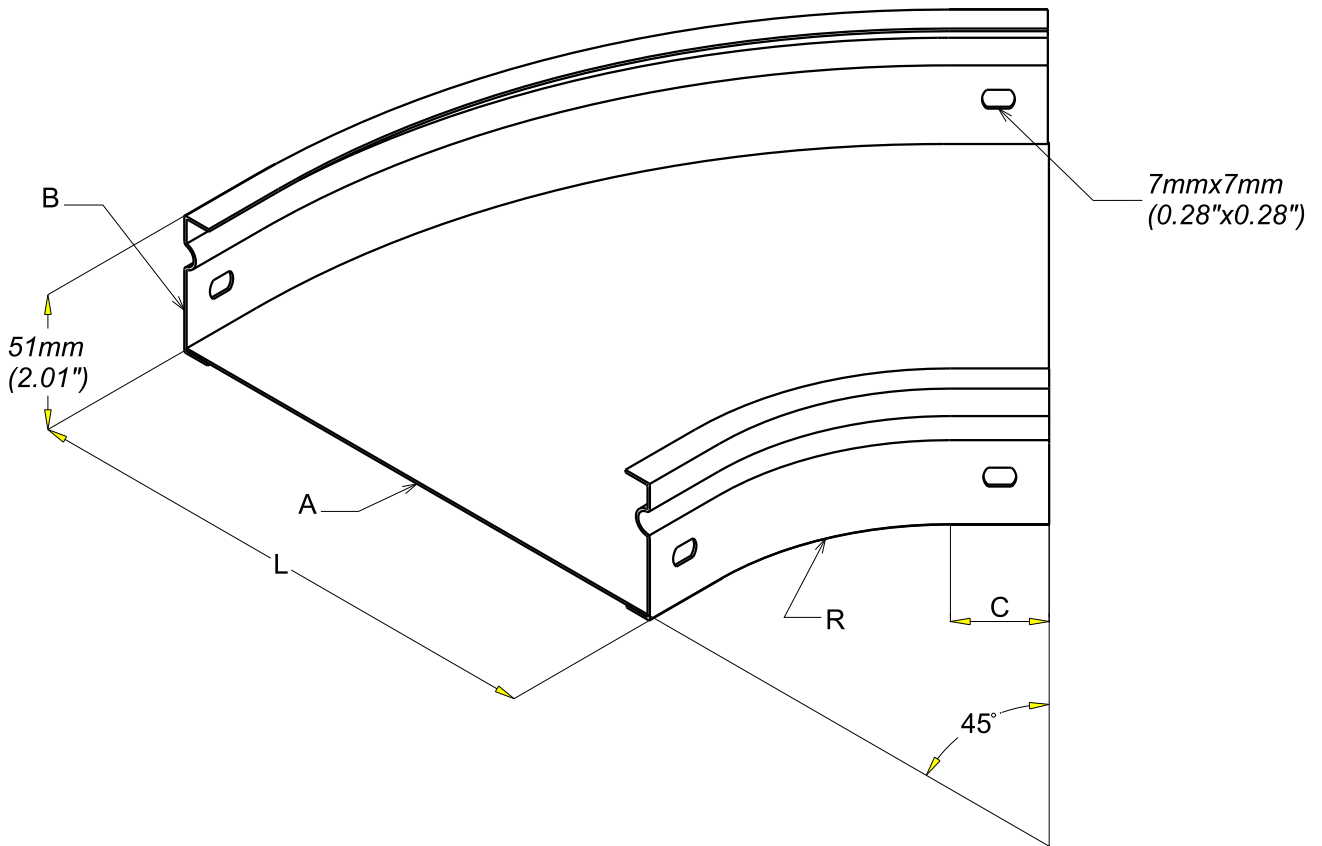
GS  
 PG



CABLE  
 MANAGEMENT

FT0527-0

10 16



REF	CODE	L /L		A /A		B /B		C /C		R /R	
		(mm)	(inch)	(mm)	(inch)	(mm)	(inch)	(mm)	(inch)	(mm)	(inch)
P31 FB45 50x50	340 944	50	(1.97")	0.8	(0.032")	1	(0.039")	30	(1.18")	-	-
P31 FB45 50x75	340 830	75	(2.92")	0.8	(0.032")	1	(0.039")	30	(1.18")	100	(3.94")
P31 FB45 50x100	340 945	100	(3.94")	0.8	(0.032")	1	(0.039")	30	(1.18")	100	(3.94")
P31 FB45 50x150	340 946	150	(5.91")	0.8	(0.032")	1	(0.039")	30	(1.18")	100	(3.94")
P31 FB45 50x200	340 947	200	(7.87")	0.8	(0.032")	1	(0.039")	30	(1.18")	100	(3.94")
P31 FB45 50x300	340 948	300	(11.81")	1	(0.039")	1	(0.039")	30	(1.18")	100	(3.94")
P31 FB45 50x400	340 949	400	(15.75")	1	(0.039")	1	(0.039")	50	(1.97")	150	(5.91")
P31 FB45 50x500	340 950	500	(19.69")	1	(0.039")	1	(0.039")	50	(1.97")	150	(5.91")
P31 FB45 50x600	340 951	600	(23.62")	1	(0.039")	1	(0.039")	50	(1.97")	150	(5.91")

Material	Standard
DX 51 D Z 200 MAC	EN 10 346

Propriété exclusive de LEGRAND, ne peut être ni copié, ni transmis à des tiers sans autorisation écrite.

Exclusive property of LEGRAND shouldn't be reproduced or transmitted to any people without written authorization