

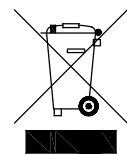
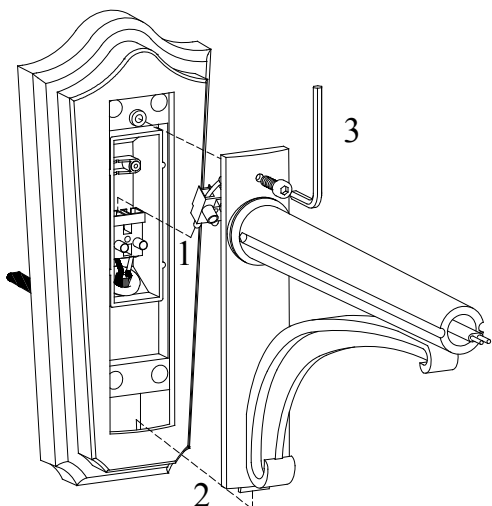
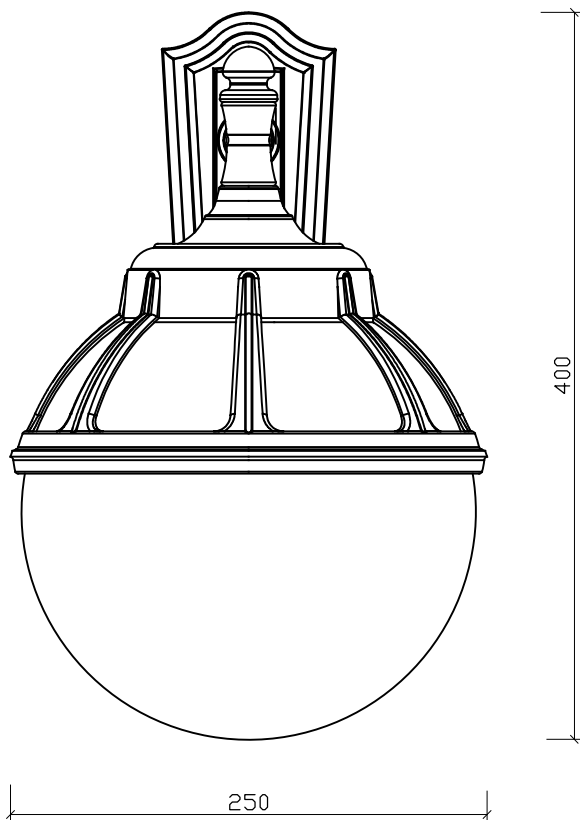
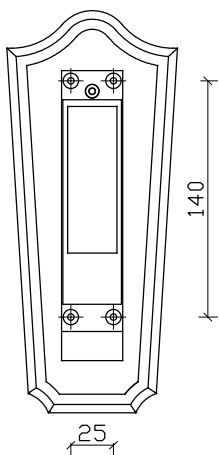
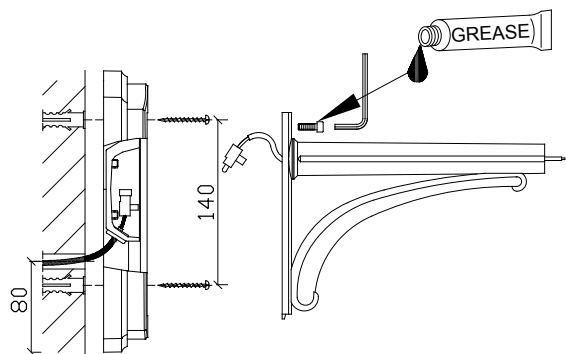
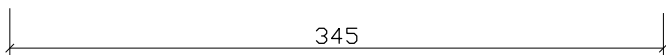
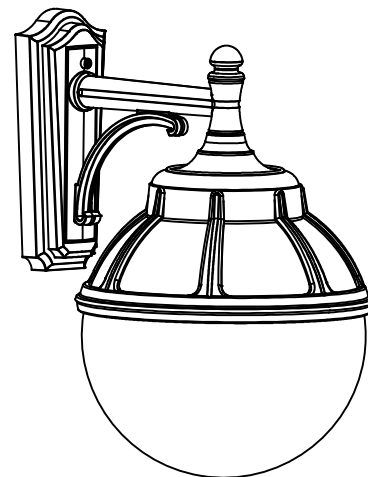
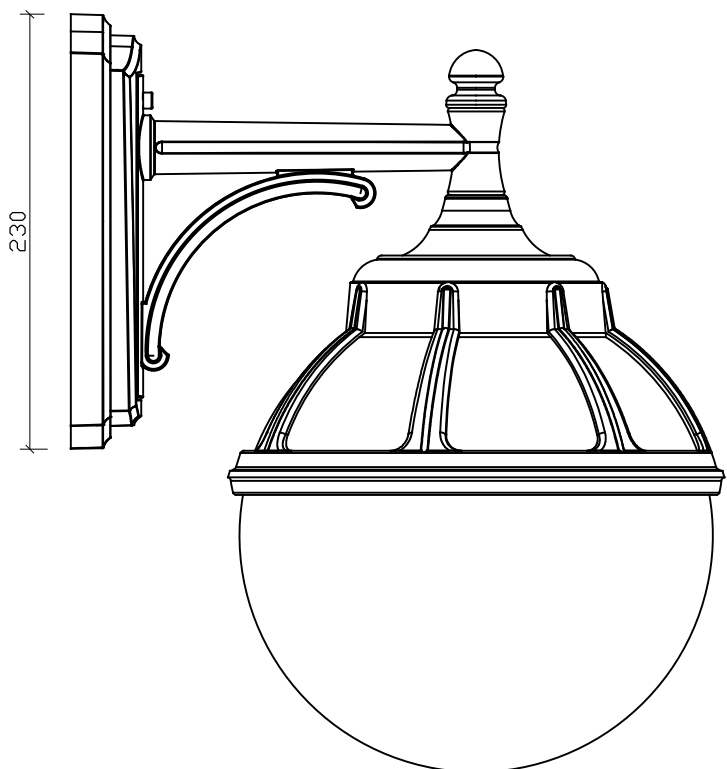
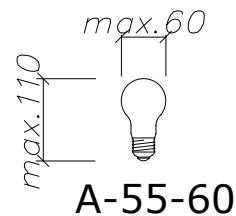
BOLOGNA

Art.310xx0010

E27, 46W, QA55

Art.311xx0010

E27, 46W, QA55



$\leq 1,5^{\square}$ x=10mm
 $1,5 \div 2,5^{\square}$ x=12mm

