

Part number

CHV 16 G



Hood, C-TYPE series, with 2 levers, Pg21 top cable entry, size "77.27"

Product description

| | |
|---------------------|-------------------------|
| Product type | Hood |
| Series | C-TYPE |
| Closing type | With 2 levers |
| Size | Size 77.27 |
| Cable entry | Top cable entry Pg21 |

Technical data

IP degree of protection IP65 / IP66 / IP69

Further technical details

| | |
|---|----------------|
| Weight | 238,00 g |
| Operating temperature range (min, max) | -40°C...+125°C |

Material properties

| | |
|------------------------------|---|
| Other materials | Lever: Stainless steel, polyamide (PA) Gasket: NBR |
| Colour | RAL 7040 grey |
| RoHs conformity | Compliant |
| China RoHs - EFUP | E |
| REACH SVHC substances | No |

Approvals / Standards

| | |
|-----------------------|---------|
| Certifications | DNV, BV |
| UL | ECBT2 |
| cUL | ECBT8 |

General ordering information

EAN13 code 8015747024471

Packaging Information

| | |
|----------------------------------|----------------------|
| Packaging length | 150,00 mm |
| Packaging height | 160,00 mm |
| Packaging width | 300,00 mm |
| Packaging weight | 2,60 kg |
| Packaging volume | 7,20 dm ³ |
| Packaging description | Carton box |
| Packaging quantity | 10 Pcs |
| Packaging EAN code | 8015747024488 |
| Sub-packaging weight | 1,30 kg |
| Sub-packaging description | Carton box |
| Sub-packaging quantity | 5 Pcs |
| Sub-packaging EAN barcode | 8015747024495 |

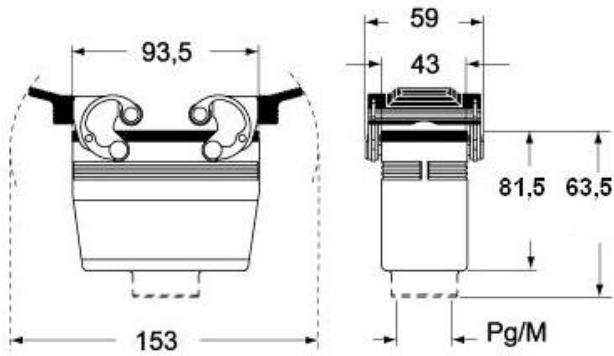
Part number

CHV 16 G



Catalogue drawings

CHV G (CAV G) - MHV G (MAV G) - [MFV G]



Notes

Dimensions shown in mm are not binding and may be changed without notice.