



|                          |                                 |
|--------------------------|---------------------------------|
| Product designation      | Miniature circuit breaker (MCB) |
| Product type designation | P1 MB                           |
| Number of poles          | 2P                              |
| Number of DIN modules    | 2                               |
| Compliance               | IEC / UL489                     |

### Electrical features

|   |        |          |
|---|--------|----------|
| Rated insulation voltage $U_i$ IEC/EN     | V      | 440      |
| Rated impulse withstand voltage $U_{imp}$ | kV     | 4        |
| Rated operational voltage AC (IEC)        | VAC    | 230/400  |
| Rated operational voltage AC (UL)         | V      | 480Y/277 |
| Rated operational voltage DC              | VDC    | 125      |
| Rated frequency                           | Hz     | 50/60    |
| Rated current ( $I_n$ )                   | A      | 13       |
| Tripping curve                            |        | D        |
| Short circuit rating (IEC)                | kA     | 10       |
| Short circuit rating (UL)                 | kA     | 10       |
| Electrical life                           | cycles | 10000    |
| Power dissipation per pole max            | W      | 1.69     |

### Ambient conditions

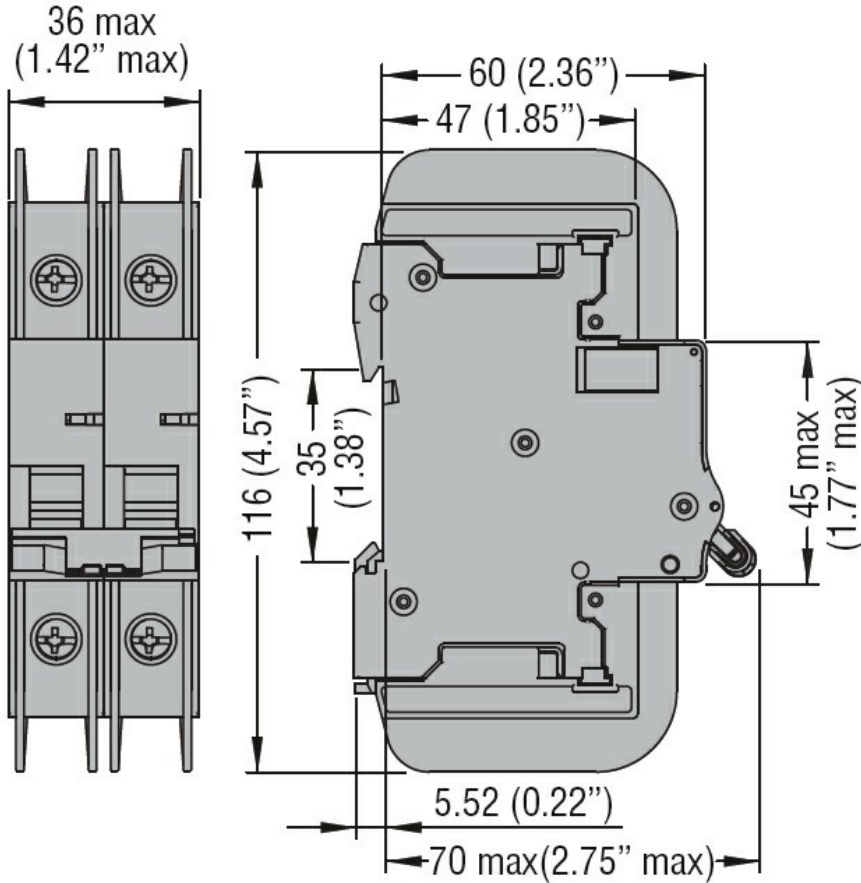
|                       |     |    |      |
|-----------------------|-----|----|------|
| Operating temperature | min | °C | -40  |
|                       | max | °C | +70  |
| Storage temperature   | min | °C | -40  |
|                       | max | °C | +80  |
| Max altitude          |     | m  | 2000 |

### Mechanical features

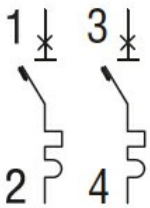
|                                 |           |                 |                 |        |       |
|---------------------------------|-----------|-----------------|-----------------|--------|-------|
| Operating position              | normal    | Vertical plan   |                 |        |       |
| Fixing                          |           | 35mm DIN rail   |                 |        |       |
| Tightening torque for terminals | min       | Nm              | 1.8             |        |       |
|                                 | max       | Nm              | 2               |        |       |
|                                 | min       | lbin            | 16              |        |       |
|                                 | max       | lbin            | 17.7            |        |       |
| Terminals tool                  |           | Pz 2            |                 |        |       |
| Conductor section               | IEC       | min             | mm <sup>2</sup> | 1      |       |
|                                 |           | max             | mm <sup>2</sup> | 35     |       |
|                                 | AWG/Kcmil | min             |                 | 14     |       |
|                                 |           | max             |                 | 6      |       |
|                                 |           | Mechanical life |                 | cycles | 20000 |

|                   |   |      |
|-------------------|---|------|
| Weight            | g | 255  |
| Frontal IP degree |   | IP20 |
| Pollution degree  |   | 2    |

**Dimensions**



**Wiring diagrams**



**Certifications and compliance**

|                |                |
|----------------|----------------|
| Compliance     | IEC/EN 60947-2 |
|                | UL489          |
| Certifications | cULus          |
|                | EAC            |

**ETIM classification**

|          |  |
|----------|--|
| ETIM 8.0 | EC000042 -<br>Miniature circuit<br>breaker (MCB) |
|----------|--|