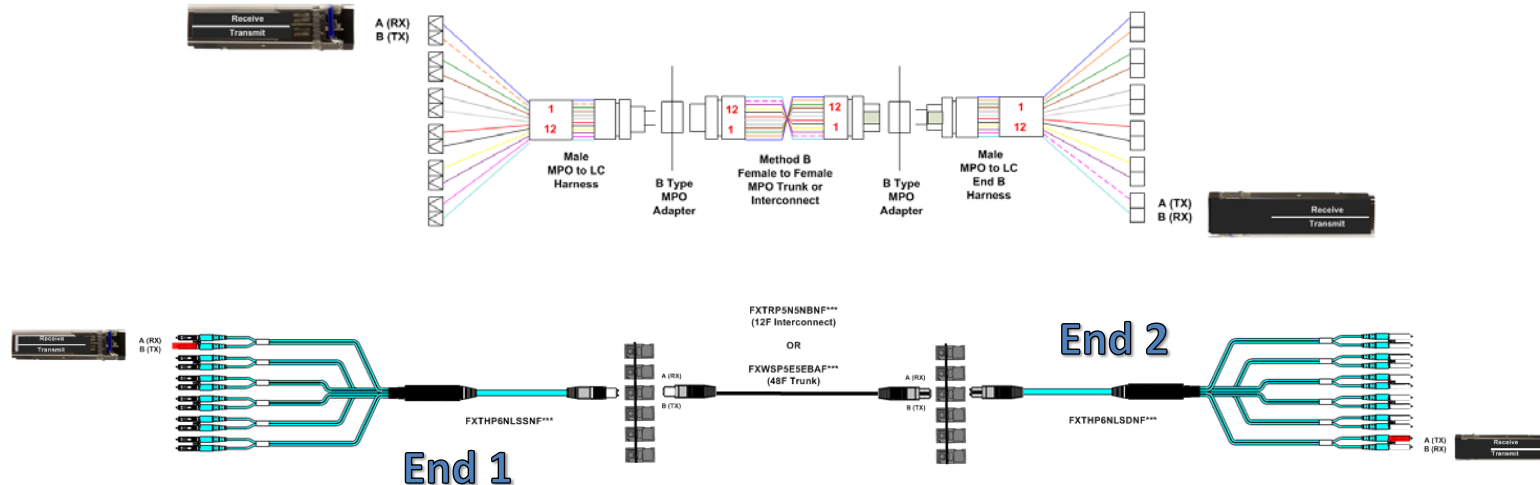


Panduit Link Scenarios
Method B Guidelines for Typical Multimode Duplex Signals
10G Ethernet and Fibre Channel Applications
(OM3 Fiber with Standard Loss)

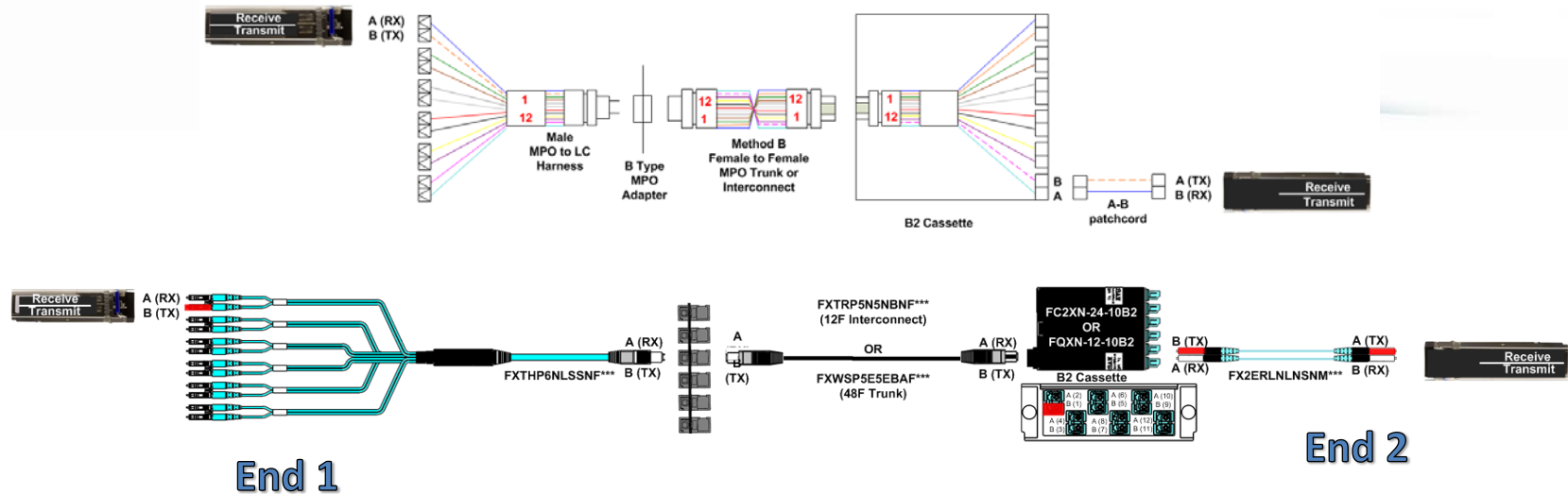
Method B Link with OM3 Fiber and Standard Loss - 2 Harness Design



Method B Link with OM3 Fiber and Standard Loss – 2 Harness Design						
Component Description	Part Number	Description	Standard Insertion Loss	Quantity	Polarity	Total Link Loss
Harness (End 1)	FXTHP6NLSSNF***	Harness MTP* (male) to duplex LC, OM3, 12-fiber, flat plenum jacket	0.50dB Max. IL per mated MTP* 0.25dB Max. IL per mated LC	1	Type A (1-1 wiring)	1.00dB plus cable attenuation (3.5dB per Km)
MPO Fiber Adapter Panel (FAP)	FAPH0612CGMPO or FQMAP65CG	6-port MTP*/MPO Adapter FAP (Opticom Style) or 6-port MTP*/MPO Adapter SFQ FAP	NA – dependent on connector	2	Type B	
Interconnect or Trunks	FXTRP5N5BNF*** or FXWSP5E5EBAF***	Interconnect MTP*- MTP* (female); OM3, 12-fiber round cable with plenum jacket or Trunk MTP*- MTP* (Female); OM3, 48-fiber cable with indoor plenum jacket	0.50dB Max. IL per mated MTP*	1	Type B	
Harness (End 2)	FXTHP6NLSTNF***	Harness MTP* (Male) to duplex LC; OM3, 12-fiber, flat plenum jacket	0.50dB Max. IL per mated MTP* 0.25dB Max. IL per mated LC	1	Type B (1-12 Wiring)	

*MTP is a registered trademark of US Conec Ltd.

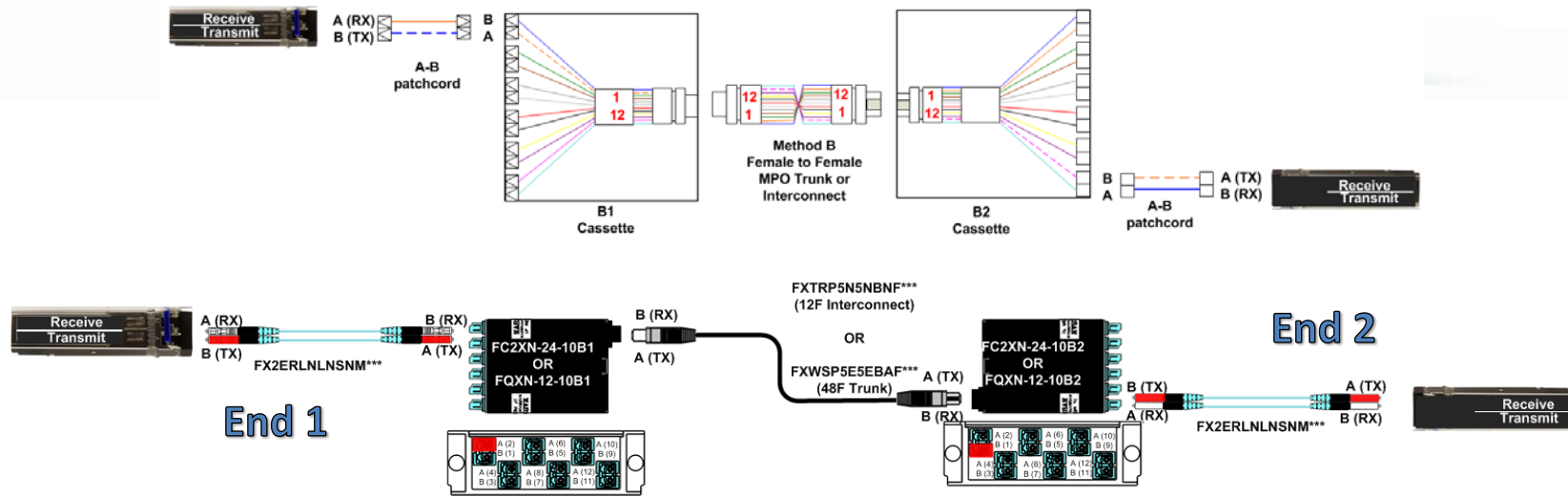
Method B Link with OM3 Fiber and Standard Loss - 1 Harness and 1 Cassette Design



Method B Link with OM3 Fiber and Standard Loss – 1 Harness and 1 Cassette Design						
Component Description	Part Number	Description	Standard Insertion Loss	Quantity	Polarity	Total Link Loss
Harness (End 1)	FXTHP6NLSSNF***	Harness MTP* (male) to duplex LC, OM3, 12-fiber, flat plenum jacket	0.50dB Max. IL per mated MTP* 0.25dB Max. IL per mated LC	1	Type A (1-1 wiring)	1.25dB plus cable attenuation (3.5dB per Km)
MPO Fiber Adapter Panel (FAP)	FAPH0612CGMPO or FQMAP65CG	6-port MTP*/MPO Adapter FAP (Opticom Style) or 6-port MTP*/MPO Adapter SFQ FAP	NA – dependent on connector	1	Type B	
Interconnect or Trunks	FXTRP5N5BNBF*** or FXWSP5E5EBAF***	Interconnect MTP*- MTP* (female); OM3, 12-fiber round cable with plenum jacket or Trunk MTP*- MTP* (Female); OM3, 48-fiber cable with indoor plenum jacket	0.50dB Max. IL per mated MTP*	1	Type B	
Cassette (End 2)	FC2XN-24-10B2 Or FQXN-12-10B2	QuickNet™ Cassette (Opticom Style) ; OM3, 24-fiber, MTP* to duplex LC or SFQ Cassette, OM3; 12-fiber; MTP* to duplex LC	0.75dB Max. Link Loss	1	Type B (1-12 Wiring; B2)	
Patch Cord (End 2)	FX2ERLNLNSNM***	Duplex LC – LC Patch Cord; OM3; with riser jacket	0.25dB Max. IL per mated LC	1	A-B	

*MTP is a registered trademark of US Conec Ltd.

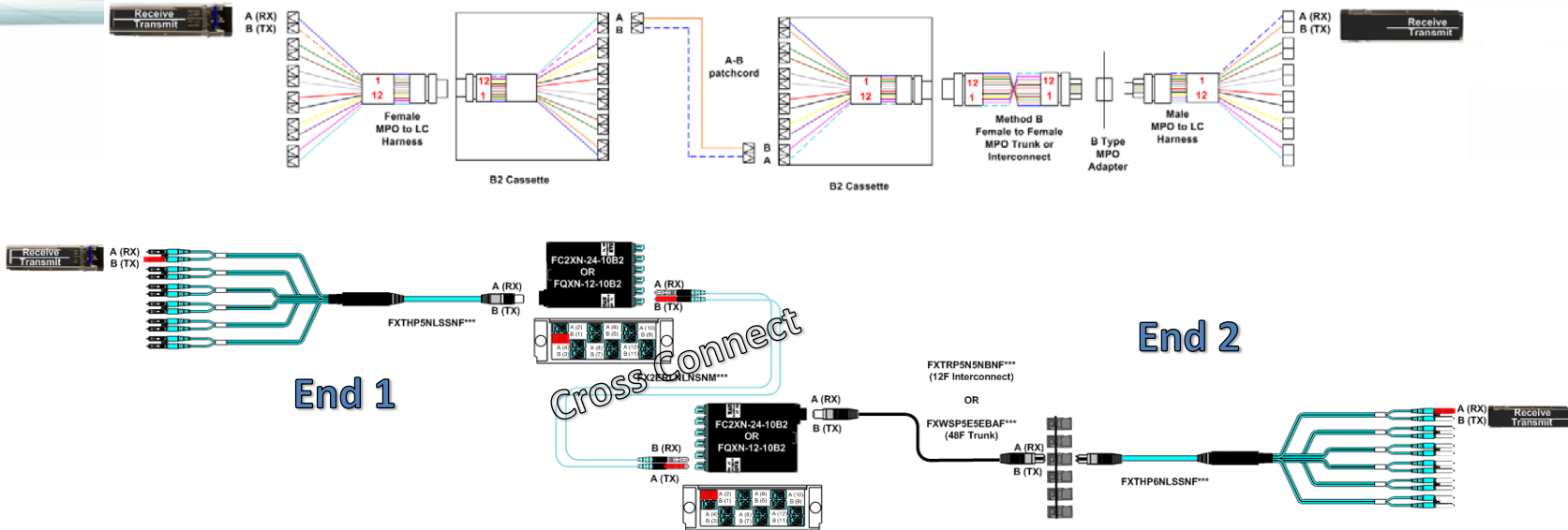
Method B Link with OM3 Fiber and Standard Loss - 2 Cassette Design



Method B Link with OM3 Fiber and Standard Loss – 2 Cassette Design						
Component Description	Part Number	Description	Standard Insertion Loss	Quantity	Polarity	Total Link Loss
Patch Cord (End 1 & 2)	FX2ERLNLNSNM***	Duplex LC – LC Patch Cord; OM3; with riser jacket	0.25dB Max. IL per mated LC	2	A-B	1.50dB plus cable attenuation (3.5dB per Km)
Cassette (End 1)	FC2XN-24-10B1 or FQXN-12-10B1	QuickNet™ Cassette (Opticom Style) ; OM3, 24-fiber, MTP* to duplex LC or SFQ Cassette, OM3; 12-fiber; MTP* to duplex LC	0.75dB Max. Link Loss	1	Type B (1-1 Wiring; B1)	
Interconnect or Trunks	FXTRP5N5NBNF*** or FXWSP5E5EBAF***	Interconnect MTP*- MTP* (female); OM3, 12-fiber round cable with plenum jacket or Trunk MTP*- MTP* (Female); OM3, 48-fiber cable with indoor plenum jacket	0.50dB Max. IL per mated MTP*	1	Type B	
Cassette (End 2)	FC2XN-24-10B2 or FQXN-12-10B2	QuickNet™ Cassette (Opticom Style) ; OM3, 24-fiber, MTP* to duplex LC or SFQ Cassette, OM3; 12-fiber; MTP* to duplex LC	0.75dB Max. Link Loss	1	Type B (1-12 Wiring; B2)	

*MTP is a registered trademark of US Conec Ltd.

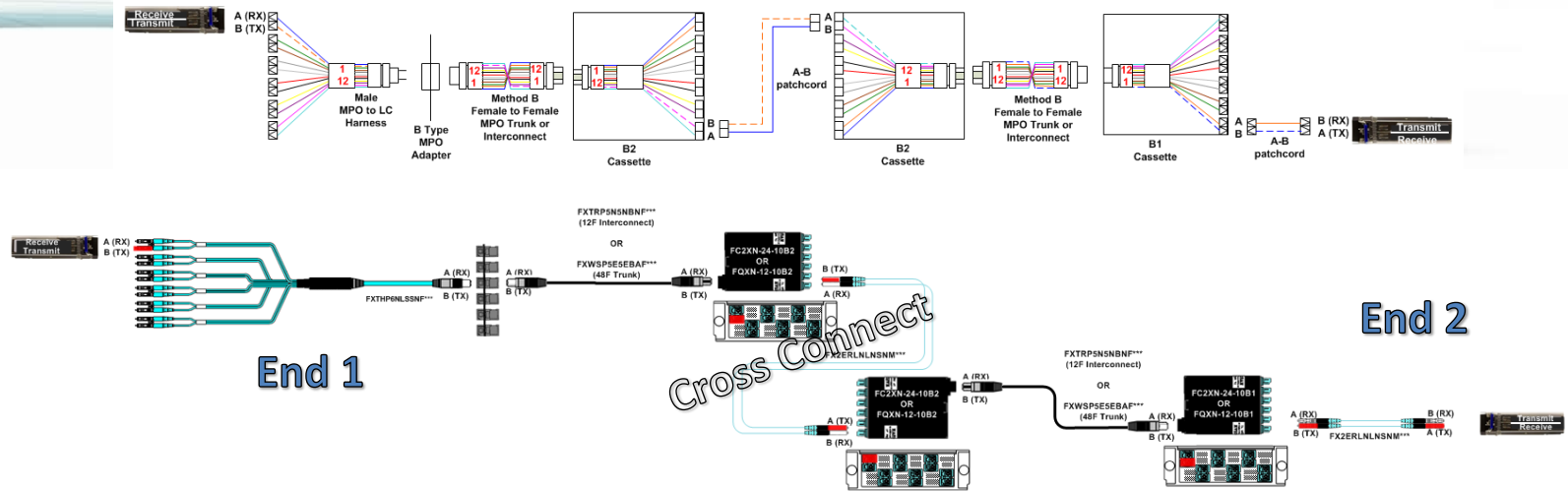
Method B Link with OM3 Fiber and Standard Loss - 2 Harness and 2 Cassette Design



Method B Link with OM3 Fiber and Standard Loss – 2 Harness and 2 Cassette Design						
Component Description	Part Number	Description	Standard Insertion Loss	Quantity	Polarity	Total Link Loss
Harness (End 1)	FXTHP6NLSNF***	Harness MTP* (female) to duplex LC, OM3, 12-fiber, flat plenum jacket	0.50dB Max. IL per mated MTP* 0.25dB Max. IL per mated LC	1	Type A (1-1 wiring)	2.00dB plus cable attenuation (3.5dB per Km)
Cassette (Cross Connect)	FC2XN-24-10B2 or FQXN-12-10B2	QuickNet™ Cassette (Opticom Style) ; OM3, 24-fiber, MTP* to duplex LC or SFQ Cassette, OM3; 12-fiber; MTP* to duplex LC	0.75dB Max. Link Loss	1	Type B (1-1 Wiring; B1)	
Patch Cord (Cross Connect)	FX2ERLNLNSNM***	Duplex LC – LC Patch Cord; OM3; with riser jacket	0.25dB Max. IL per mated LC	1	A-B	
Interconnect or Trunks	FXTRP5N5BNBF*** or FXWSP5E5EBAF***	Interconnect MTP*- MTP* (female); OM3, 12-fiber round cable with plenum jacket or Trunk MTP*- MTP* (Female); OM3, 48-fiber cable with indoor plenum jacket	0.50dB Max. IL per mated MTP*	1	Type B	
MPO Fiber Adapter Panel (FAP)	FAPH0612CGMPO or FQMAP65CG	6-port MTP*/MPO Adapter FAP (Opticom Style) or 6-port MTP*/MPO Adapter SFQ FAP	NA – dependent on connector	1	Type B	
Harness (End 2)	FXTHP6NLSNF***	Harness MTP* (male) to duplex LC, OM3, 12-fiber, flat plenum jacket	0.50dB Max. IL per mated MTP* 0.25dB Max. IL per mated LC	1	Type A (1-1 wiring)	

*MTP is a registered trademark of US Conec Ltd.

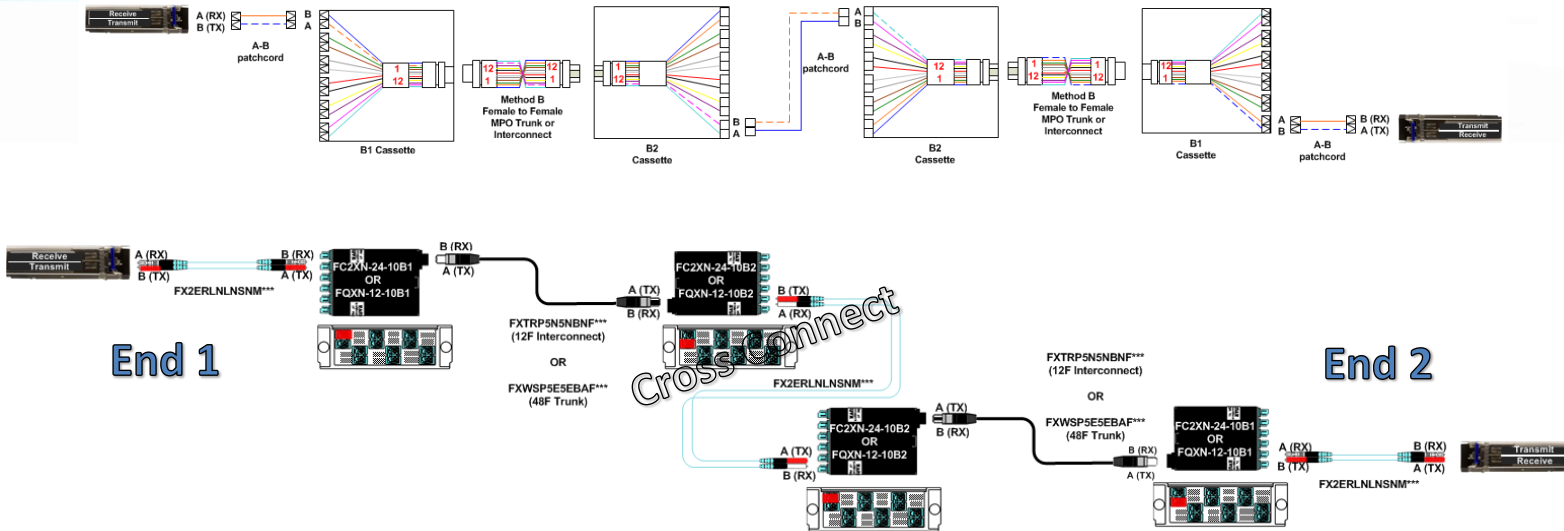
Method B Link with OM3 Fiber and Standard Loss - 1 Harness and 3 Cassette Design



Method B Link with OM3 Fiber and Standard Loss – 1 Harness and 3 Cassette Design						
Component Description	Part Number	Description	Standard Insertion Loss	Quantity	Polarity	Total Link Loss
Harness (End 1)	FXTHP6NLSSNF***	Harness MTP* (male) to duplex LC, OM3, 12-fiber, flat plenum jacket	0.50dB Max. IL per mated MTP* 0.25dB Max. IL per mated LC	1	Type A (1-1 wiring)	2.00dB plus cable attenuation (3.5dB per Km)
MPO Fiber Adapter Panel (FAP)	FAPH0612CGMPO or FQMAP65CG	6-port MTP*/MPO Adapter FAP (Opticom Style) or 6-port MTP*/MPO Adapter SFQ FAP	NA – dependent on connector	1	Type B	
Interconnect or Trunks	FXTRP5N5NBNF*** or FXWSP5E5EBAF***	Interconnect MTP*- MTP* (female); OM3, 12-fiber round cable with plenum jacket or Trunk MTP*- MTP* (Female); OM3, 48-fiber cable with indoor plenum jacket	0.50dB Max. IL per mated MTP*	2	Type B	
Cassette (Cross Connect)	FC2XN-24-10B2 or FQXN-12-10B2	QuickNet™ Cassette (Opticom Style) ; OM3, 24-fiber, MTP* to duplex LC or SFQ Cassette, OM3; 12-fiber; MTP* to duplex LC	0.75dB Max. Link Loss	1	Type B (1-12 Wiring; B2)	
Patch Cord (Cross Connect & End 2)	FX2ERLNLNSNM***	Duplex LC – LC Patch Cord; OM3; with riser jacket	0.25dB Max. IL per mated LC	2	A-B	
Cassette (End 2)	FC2XN-24-10B1 or FQXN-12-10B1	QuickNet™ Cassette (Opticom Style) ; OM3, 24-fiber, MTP* to duplex LC or SFQ Cassette, OM3; 12-fiber; MTP* to duplex LC	0.75dB Max. Link Loss	1	Type B (1-1 Wiring; B1)	

*MTP is a registered trademark of US Conec Ltd.

Method B Link with OM3 Fiber and Standard Loss - 4 Cassette Design



Method B Link with OM3 Fiber and Standard Loss – 4 Cassette Design						
Component Description	Part Number	Description	Standard Insertion Loss	Quantity	Polarity	Total Link Loss
Patch Cord (End 1, Cross Connect & End 2)	FX2ERLNLNSNM***	Duplex LC – LC Patch Cord; OM3; with riser jacket	0.25dB Max. IL per mated LC	3	A-B	2.00dB plus cable attenuation (3.5dB per Km)
Cassette (End 1 & End 2)	FC2XN-24-10B1 or FQXN-12-10B1	QuickNet™ Cassette (Opticom Style) ; OM3, 24-fiber, MTP* to duplex LC or SFQ Cassette, OM3; 12-fiber; MTP* to duplex LC	0.75dB Max. Link Loss	2	Type B (1-1 Wiring; B1)	
Interconnect or Trunks	FXTRP5N5BNF*** or FXWSP5E5EBAF***	Interconnect MTP*- MTP* (female); OM3, 12-fiber round cable with plenum jacket Trunk MTP*- MTP* (Female); OM3, 48-fiber cable with indoor plenum jacket	0.50dB Max. IL per mated MTP*	2	Type B	
Cassette (Cross Connect)	FC2XN-24-10B2 or FQXN-12-10B2	QuickNet™ Cassette (Opticom Style) ; OM3, 24-fiber, MTP* to duplex LC or SFQ Cassette, OM3; 12-fiber; MTP* to duplex LC	0.75dB Max. Link Loss	2	Type B (1-12 Wiring; B2)	

*MTP is a registered trademark of US Conec Ltd.