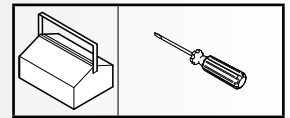
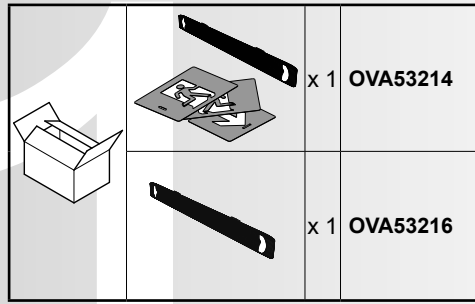
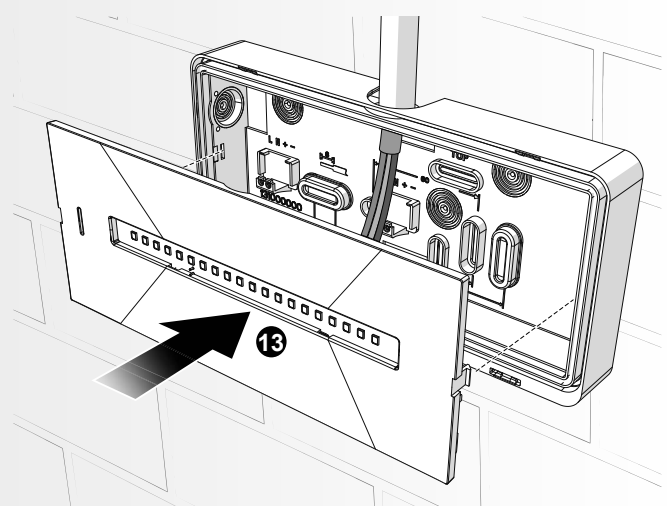
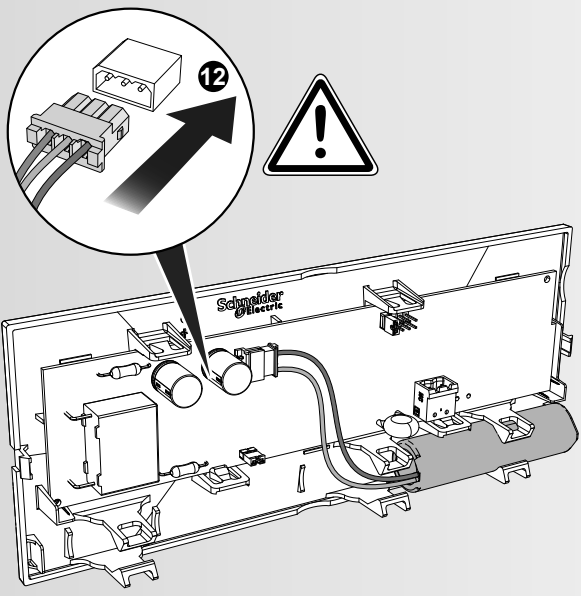
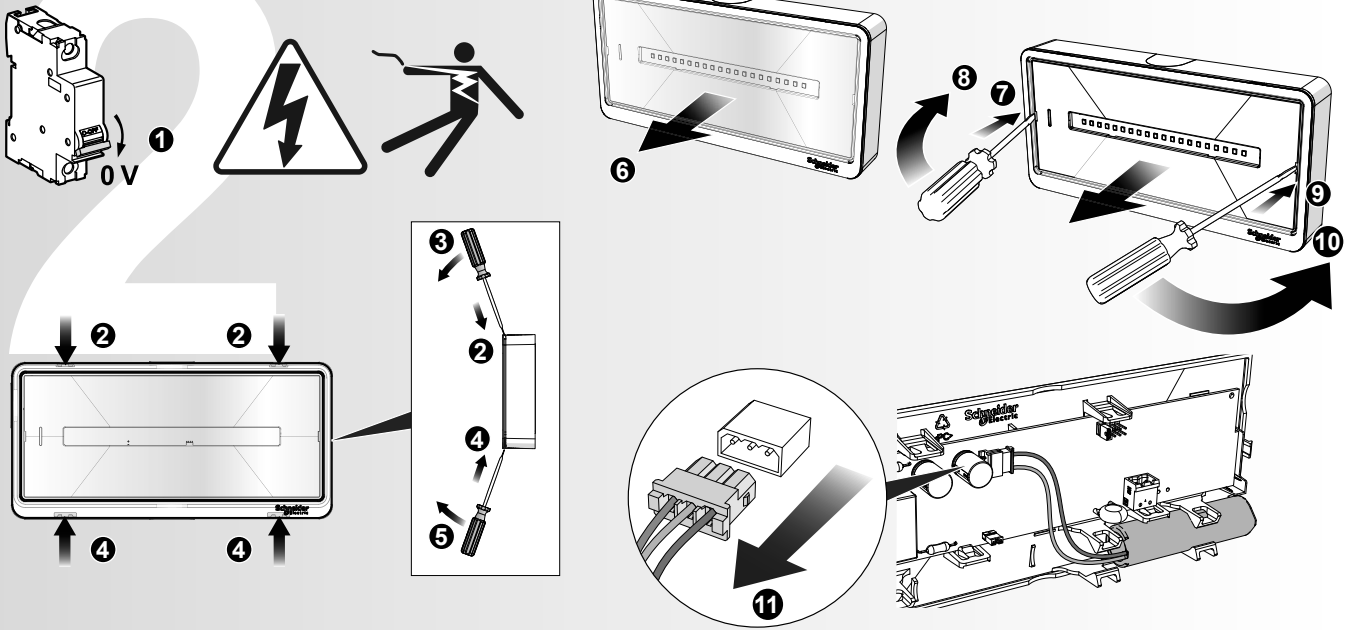


EXIWAY LIGHT

OVA53214
OVA53216



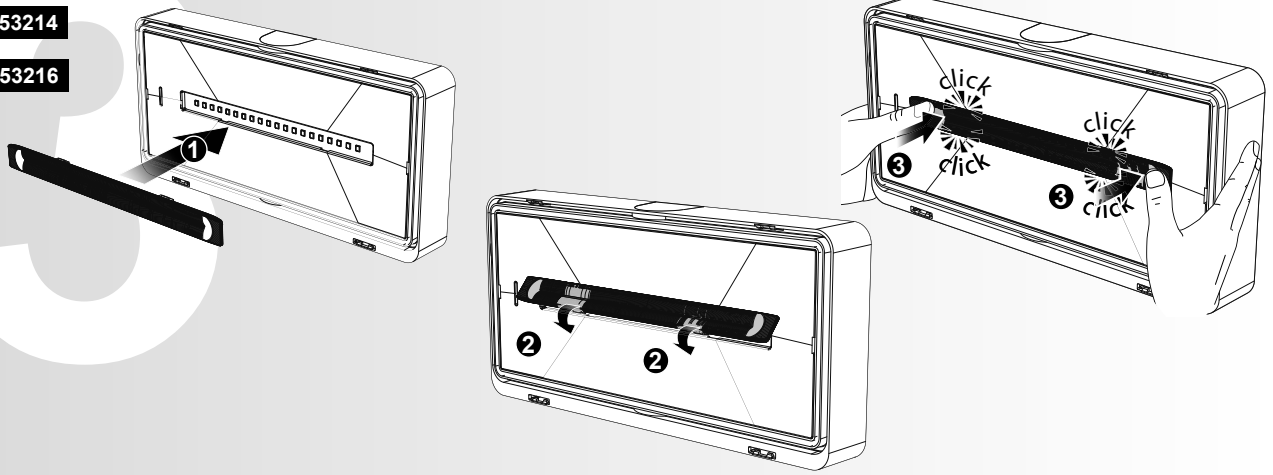
Preparazione / Preparation



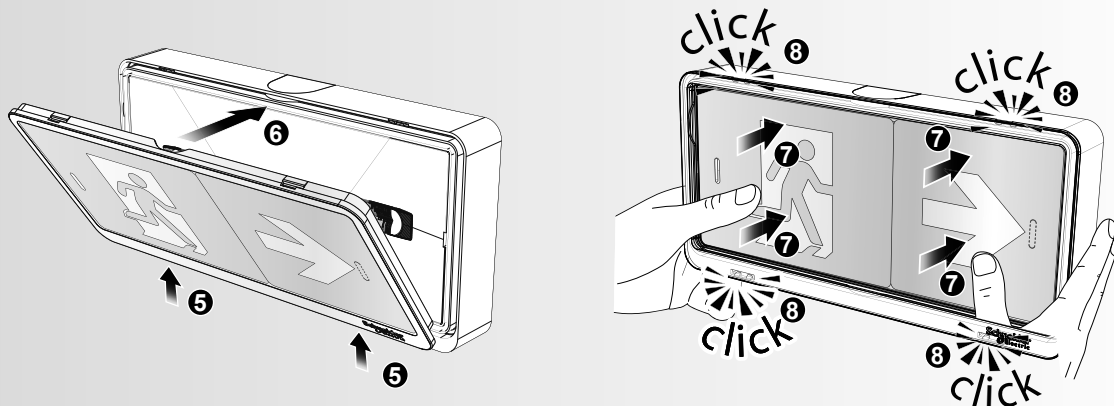
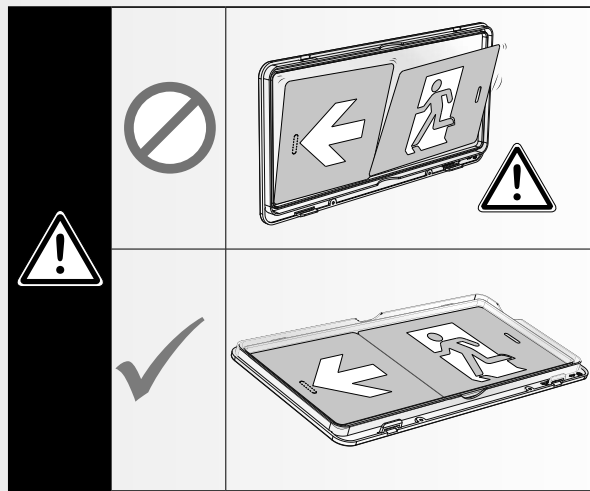
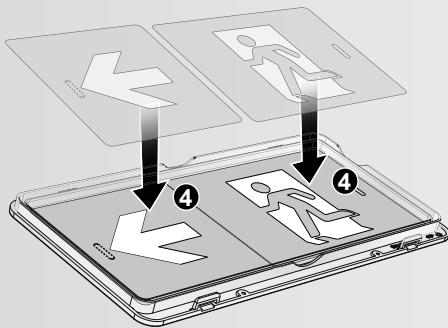
Installazione / Installation

OVA53214

OVA53216



OVA53214



IST004150-E.d.00-11/2020