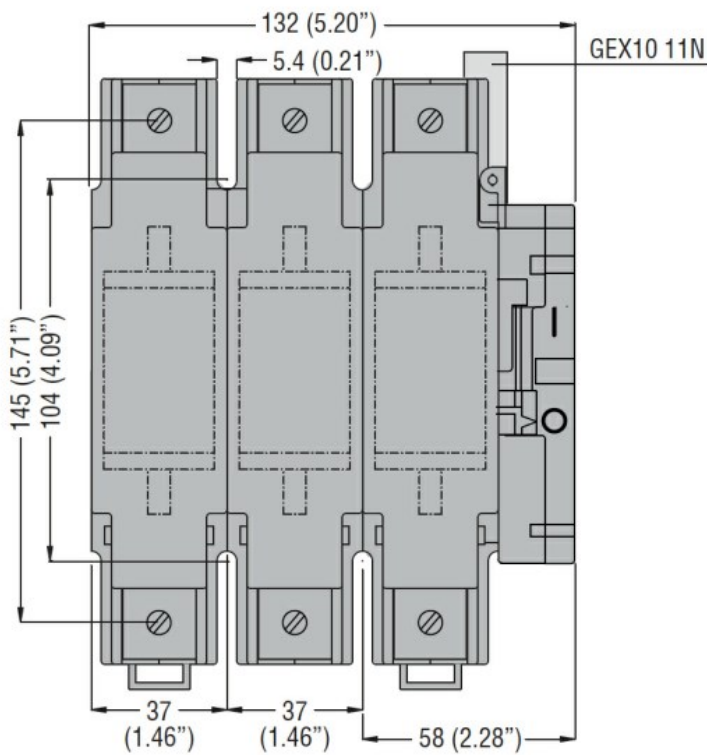


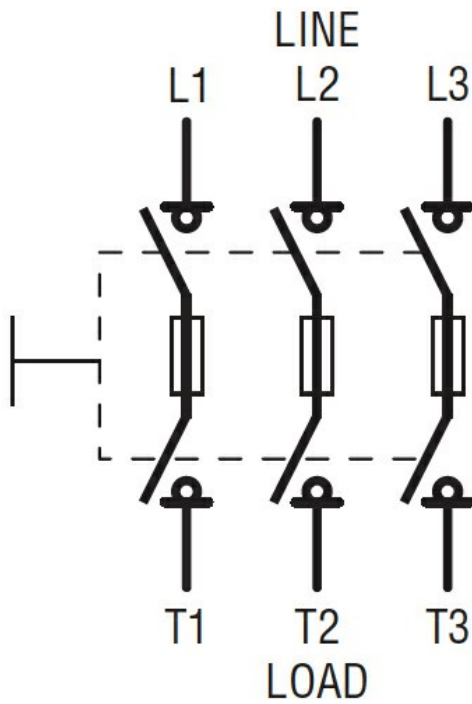


Product designation				Switch disconnecter with fuse
Product type designation				GE
Type of fuse				NFC
Number of poles	Nr.			3
Operating voltage type				AC
Contact characteristics				
IEC Conventional free air thermal current I _{th}	A			125
Rated insulation voltage U _i IEC/EN	V			800
Rated impulse withstand voltage U _{imp}	kV			8
Operating current I _e				
AC21A	400V	A	125	
	500V	A	125	
	690V	A	125	
AC22A	400V	A	125	
	500V	A	125	
	690V	A	100	
AC23A	400V	A	125	
	500V	A	125	
	690V	A	80	
Power dissipation per pole max	W			12.5
Rated operational power AC23A	400V	kW	65	
	690V	kW	80	
Conditional short-circuit current (rms)	kA			50
Specific let through energy I ² t	kA ² s			0.19
Making capacity AC23A 400V	A			1250
Breaking capacity AC23A 400V	A			1000
Mechanical life	cycles			10000
Electrical life AC21A	cycles			1500 (AC23A 400V)
Mechanical features				
Operating position	normal allowable			Vertical plan Any
Fixing				Screw
Terminals	type			Built-in terminal lug
	screw			M6
Tightening torque for terminals	max	Nm	4	

	max	lbin	3
Ambient conditions			
Operating temperature	min	°C	-25
	max	°C	55
Storage temperature			
	min	°C	-40
	max	°C	70
Max altitude			
		m	3000
Resistance & Protection			
Frontal IP degree			IP20
Terminals IP degree			IP20
Pollution degree			3
Dimensions			



Wiring diagrams



Certifications and compliance

Compliance

IEC/EN 60947-1

IEC/EN 60947-3

Certifications

EAC

ETIM classification

ETIM 8.0

EC000216 -
 Switch
 disconnecter