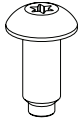


NVBPA7018B

1000W x 42RU-48RU Air Dams

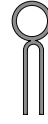
Components included with NVBPA7018B Hardware Kit



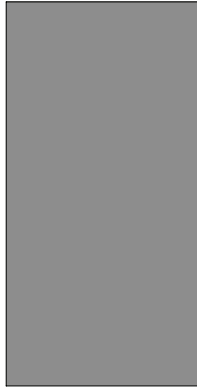
**M5 X 0.8 X 12mm
Button Head Screw**
Qty: 16



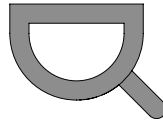
13mm x 25mm Foam Seal
Qty. of 2 x 111mm long
Qty. of 2 x 255mm long
Qty. of 4 x 35mm long



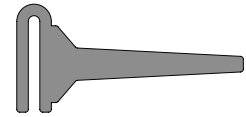
Bulb Seal
Qty. of 2 x 202mm long
Qty. of 2 x 26.5mm long



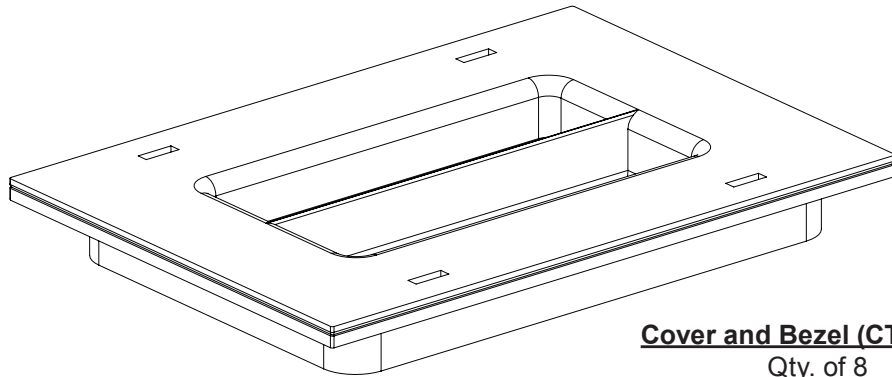
25mm x 51mm Foam Seal
Qty. of 1 x 589mm long



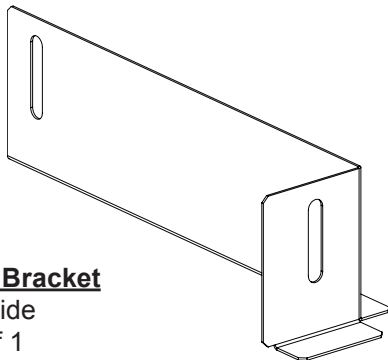
D-Shaped Rubber Seal
Qty. of 2 x 504mm long



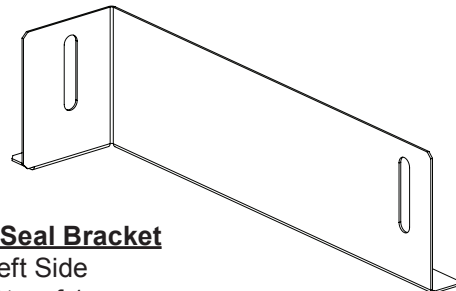
Flap Seal
Qty. of 2 x 2149mm long



Cover and Bezel (CTCN3X5)
Qty. of 8

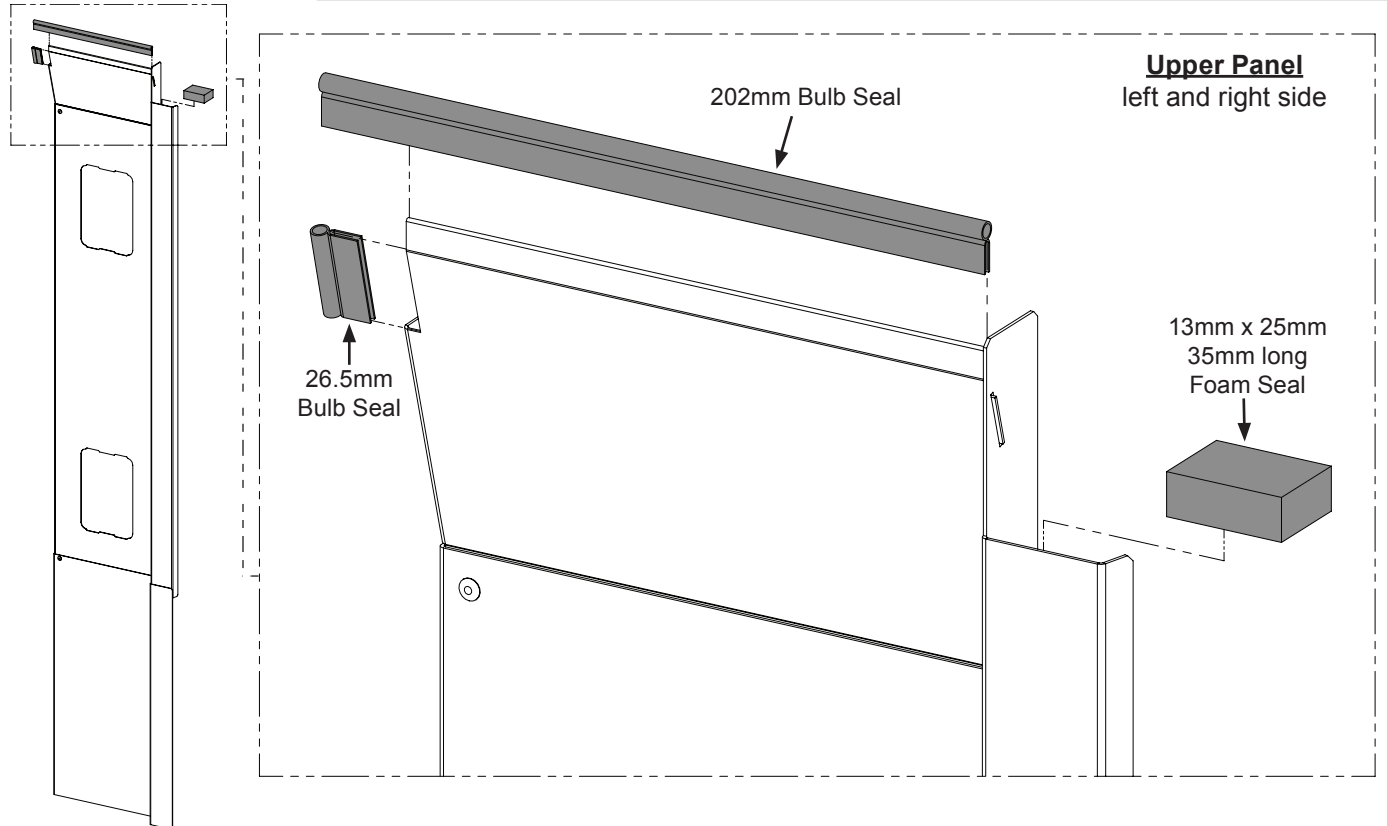
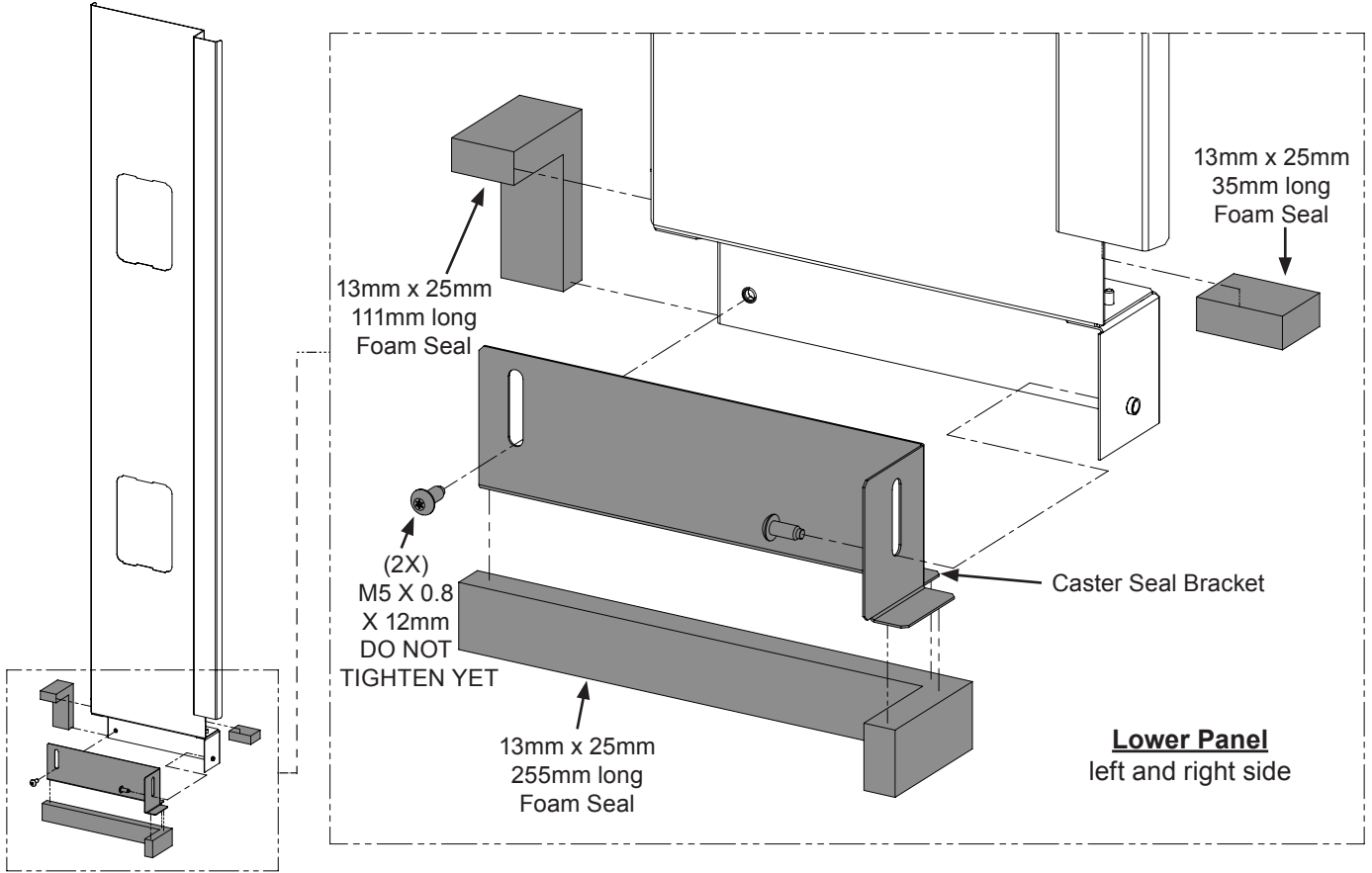


Caster Seal Bracket
Right Side
Qty. of 1

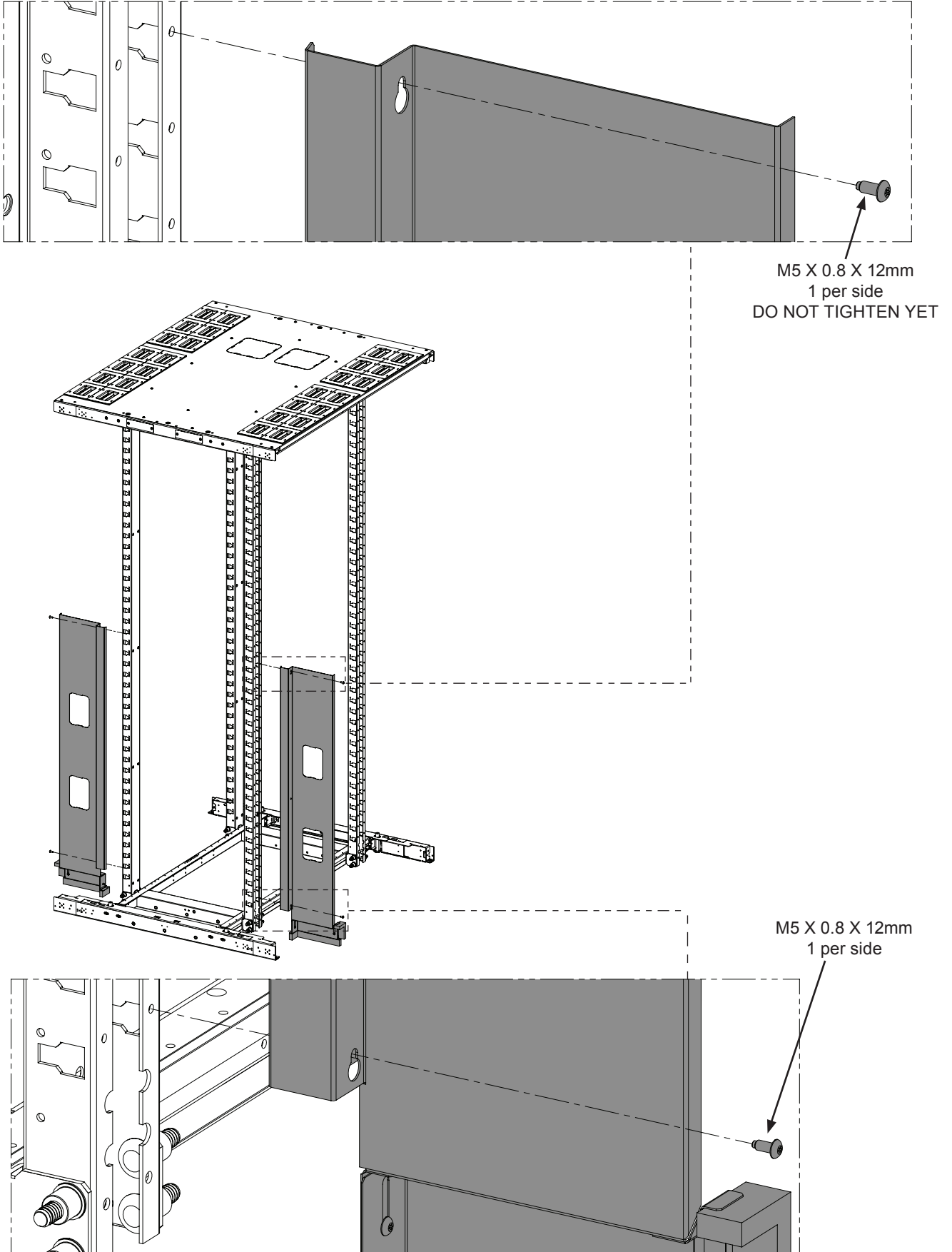


Caster Seal Bracket
Left Side
Qty. of 1

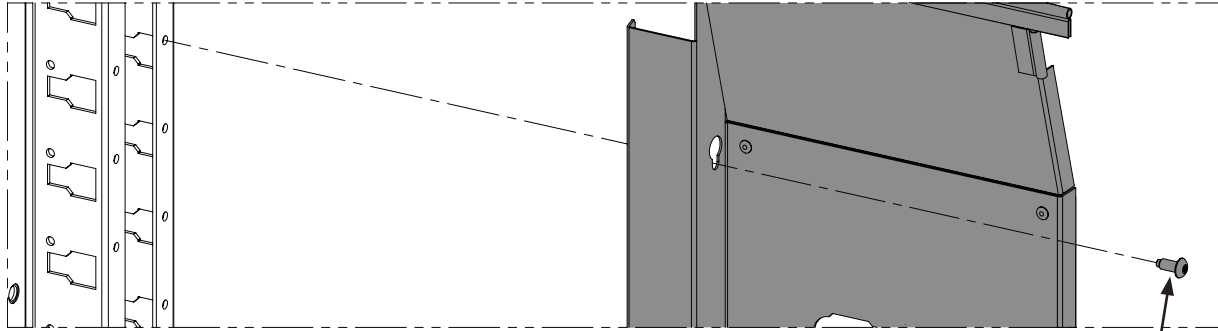
Attach seals to the Upper and Lower Panels



Attach Lower Panels to Cabinet

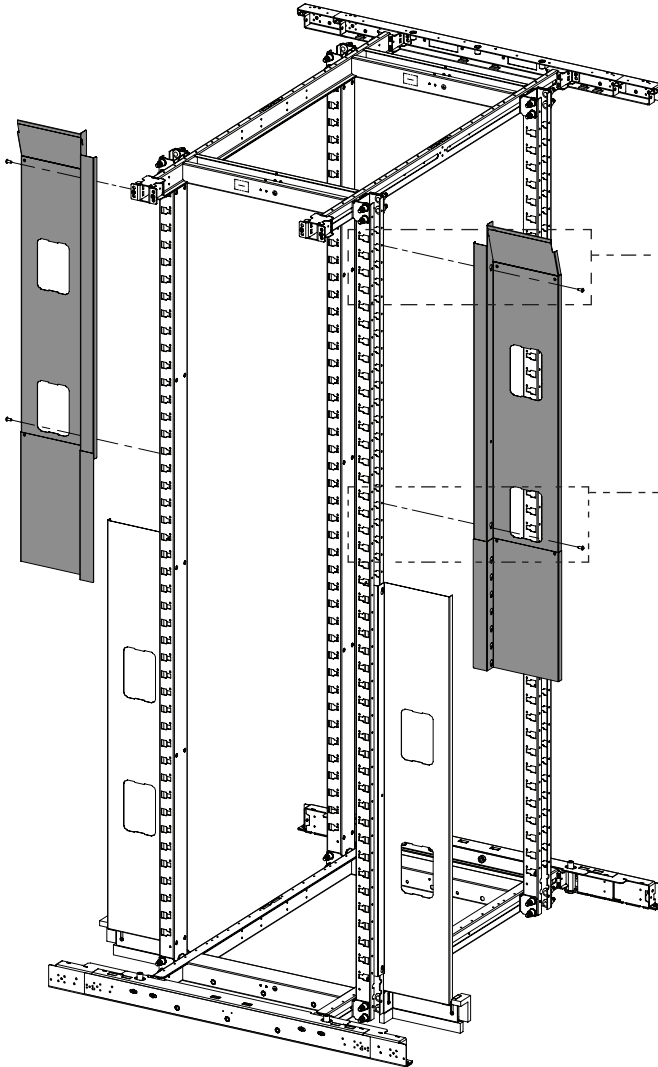


Attach Upper Panels to Cabinet

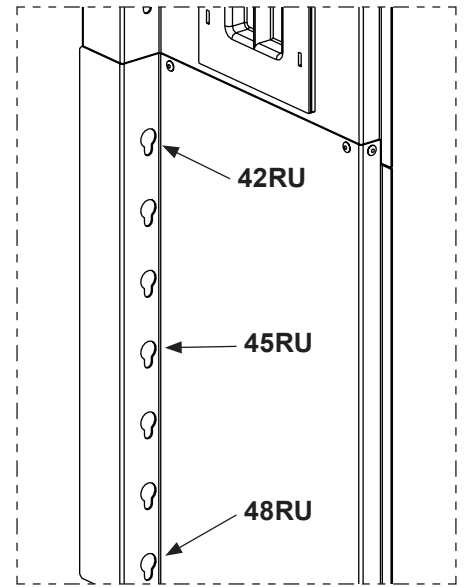


M5 X 0.8 X 12mm
1 per side

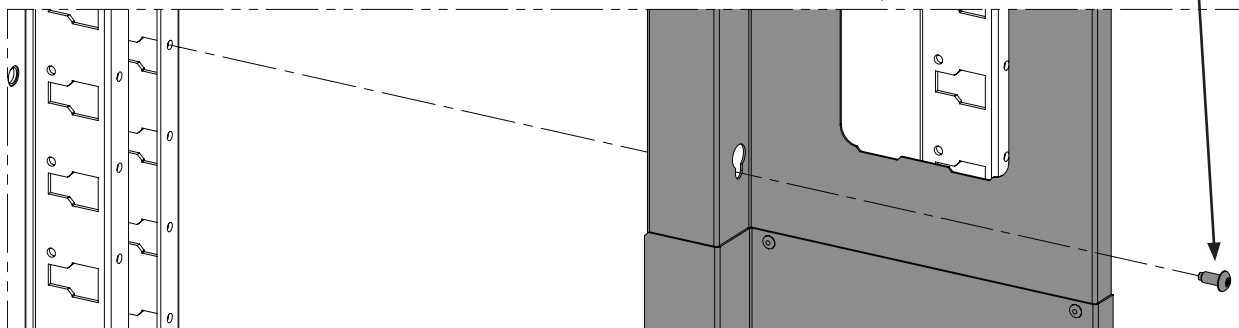
Some components removed from
Cabinet view for clarity purposes



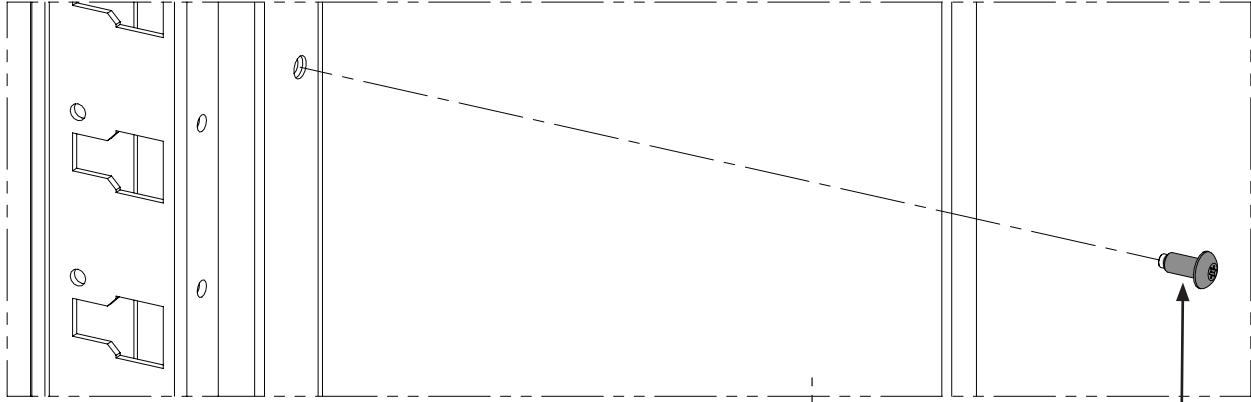
Use these noted hole locations
for the corresponding RU heights



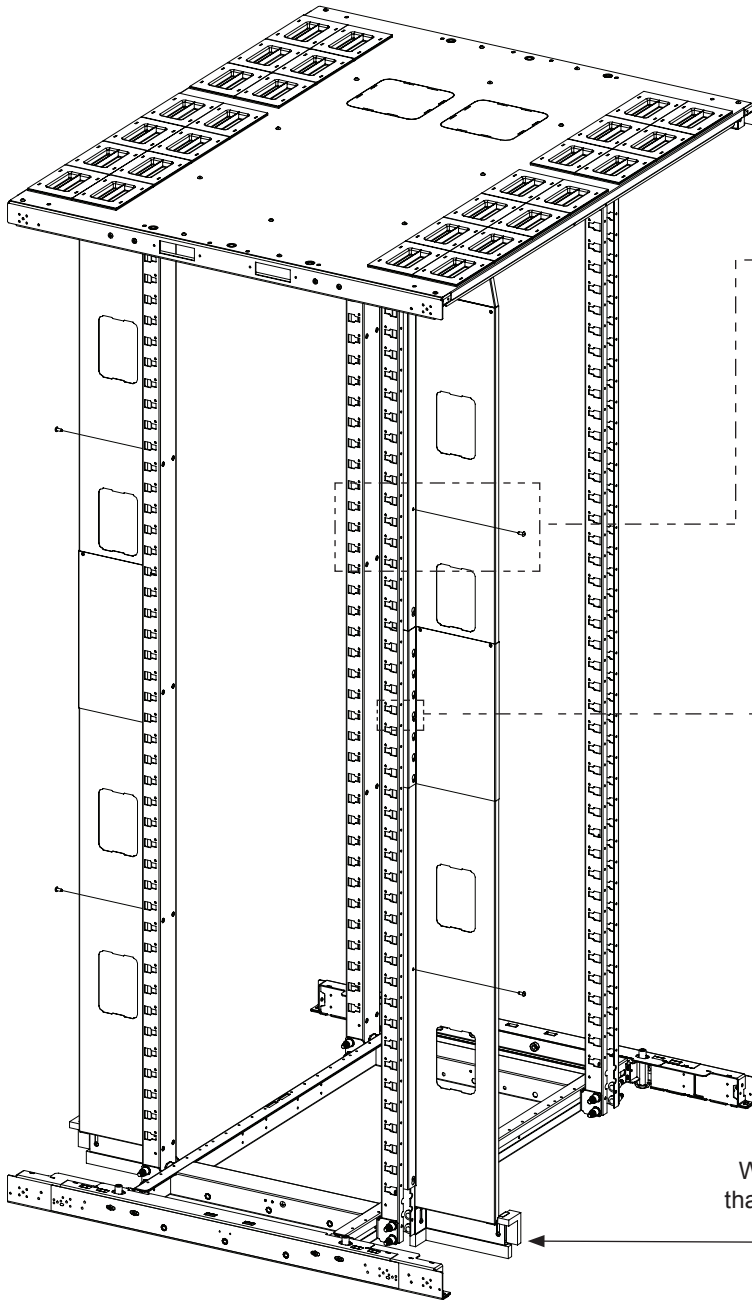
M5 X 0.8 X 12mm
1 per side



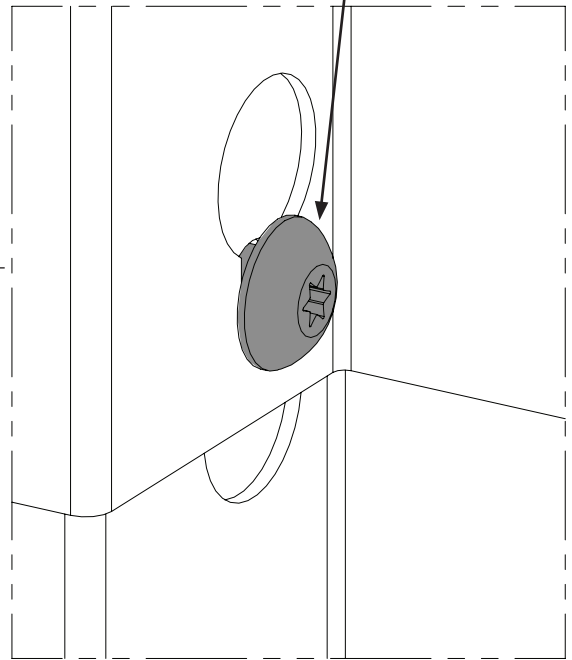
Finish Panel Installation by attaching the remainder of screws



M5 X 0.8 X 12mm
2 per side



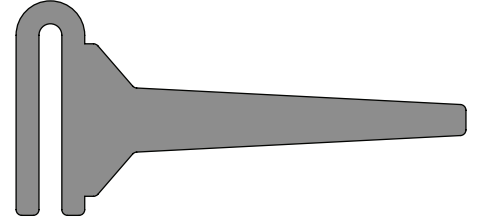
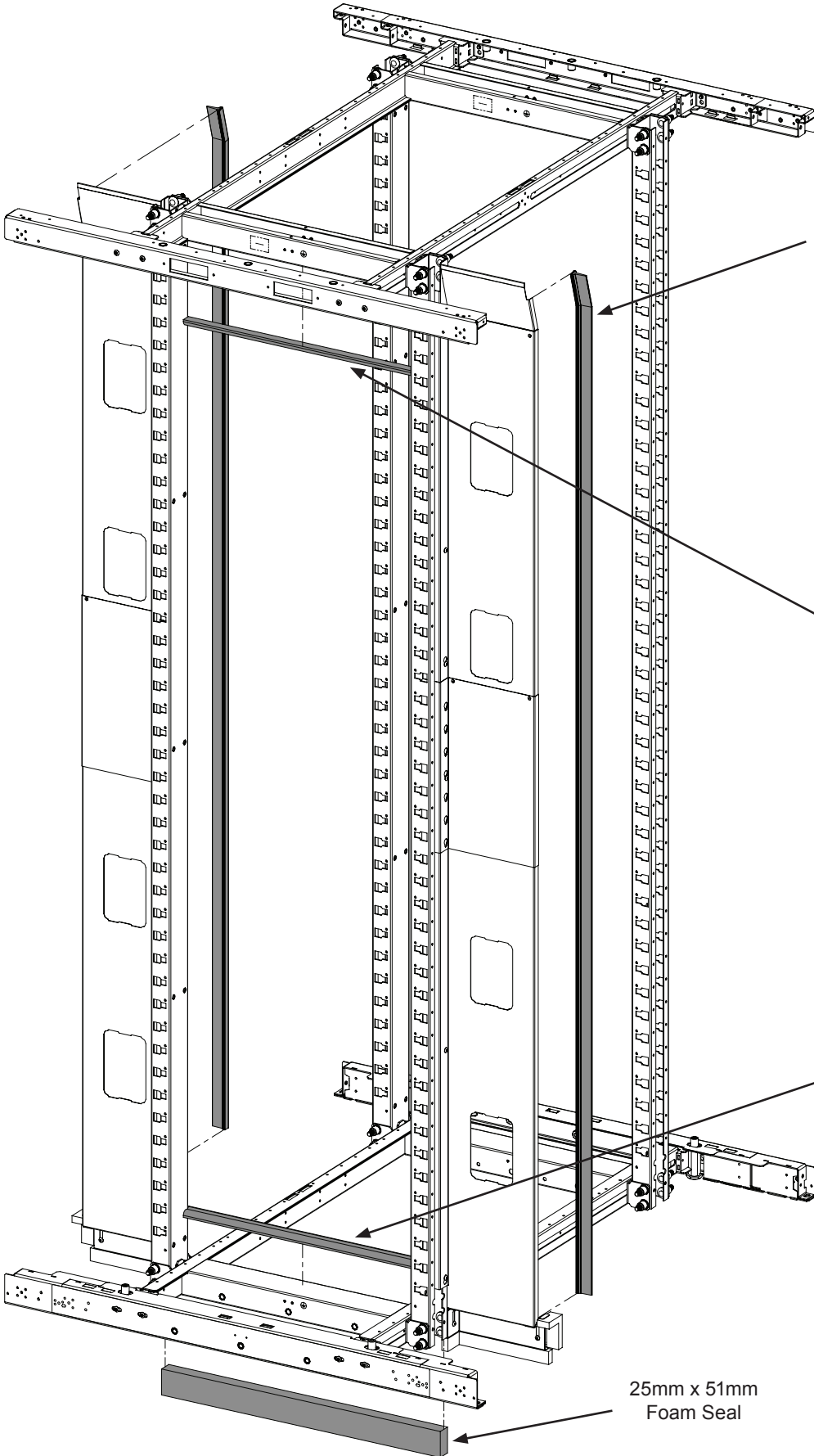
FINISH TIGHTENING
M5 X 0.8 X 12mm
1 per side



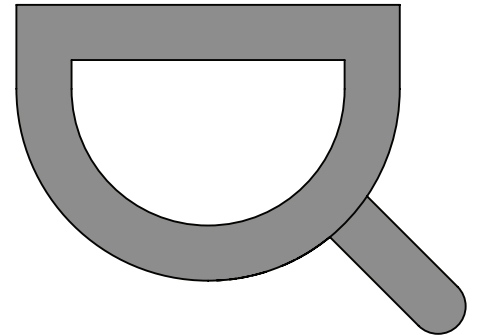
While pushing the Caster Seal Brackets
that were installed on P. 3 tight to the floor.

FINISH TIGHTENING
M5 X 0.8 X 12mm
2 per side

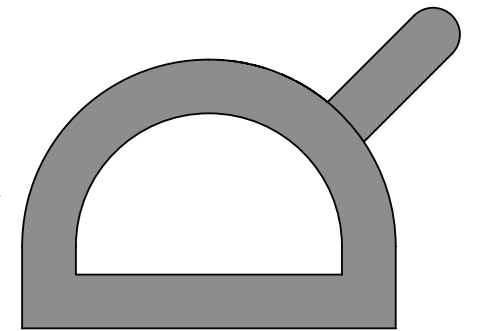
Attach Flap Seals, Equipment seals, and bottom foam seal



Install Flap Seal along edge of Air Dams on both sides. Trim any excess.



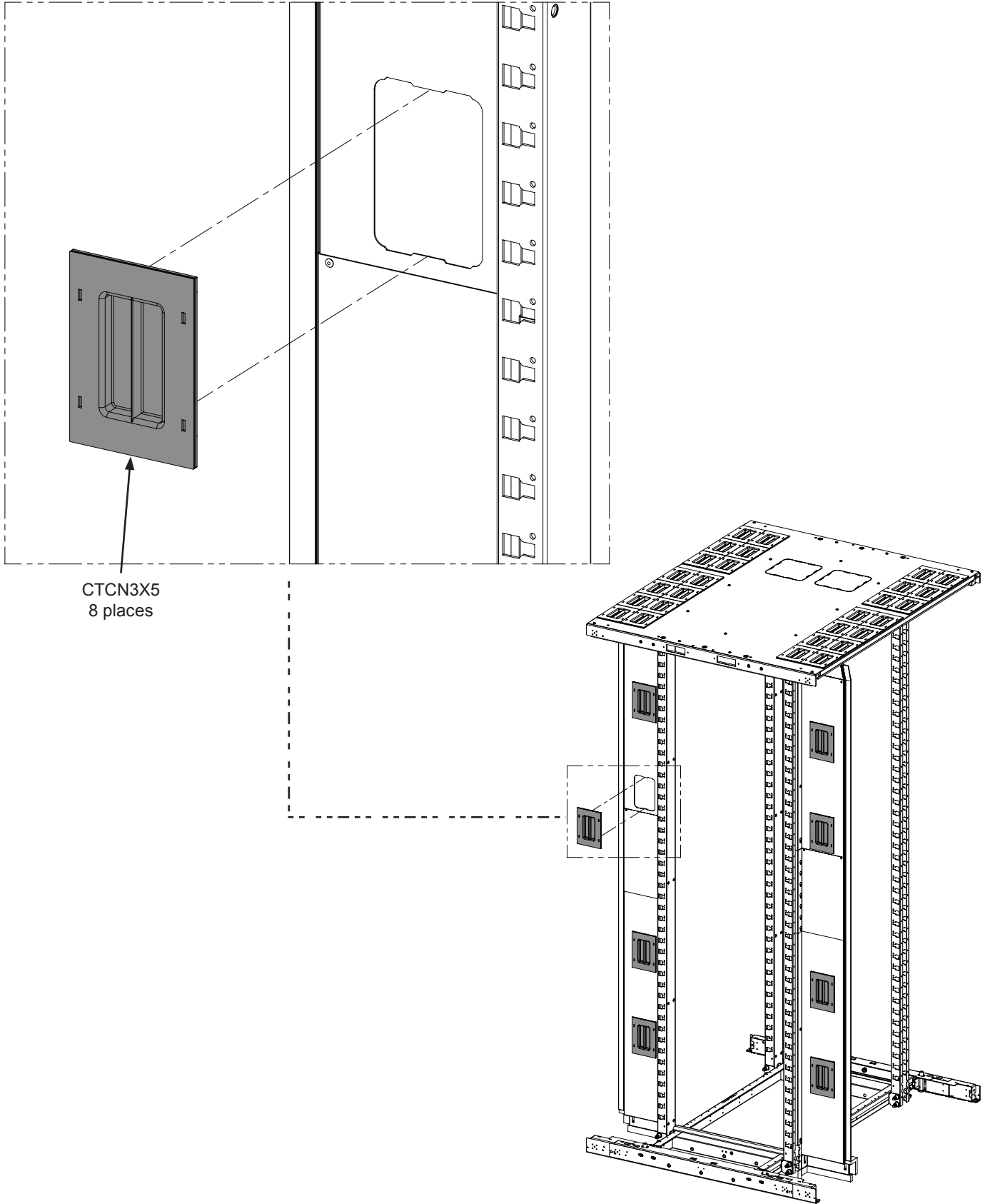
Install D-Shape Rubber Seal along top of cabinet as shown



Install D-Shape Rubber Seal along bottom of cabinet as shown

25mm x 51mm
Foam Seal

Attach provided Covers and Bezels



CTCN3X5
8 places

For Instructions in Local Languages
and Technical Support:

www.panduit.com/resources/install_maintain.asp

PANDUIT
www.panduit.com

E-mail:
techsupport@panduit.com

Phone:
866-405-6654