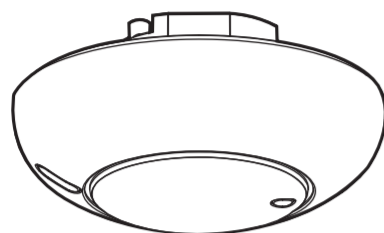


## USER MANUAL

**ARGUS Presence detector**  
**High Frequency for High Bay - 2 channel**

 Art. no.  
 CCT551023

# ARGUS



## INSTRUCTION MANUAL

### TECHNICAL SPECIFICATIONS

|                          |   |             |
|--------------------------|---|-------------|
| Rated voltage            | 220V - 240V~ 50/60Hz  |             |
| Load                     | Load I (L) for Lighting: $\mu$  |             |
|                          | Incandescent Lamp:  | Max. 2000W  |
|                          | HV Halogen Lamp:  | Max. 1000W  |
|                          | LV Halogen Lamp:  | Max. 1000VA |
|                          | Fluorescent Lamp:   | Max. 900VA  |
|                          | LED Lamp:   | Max. 100W   |
|                          | Energy Saving Lamp (CFL):   | Max. 100W   |
|                          | Load II (D1-D2) for HVAC (Lux is invalid):  |             |
| Relay rating:            | Max. 5A (cos $\phi$ =1),<br>250V AC   |             |
| Motor load:              | Max. 100W   |             |
| Frequency                | 5.8GHz  |             |
| Detection Angle          | 360°  |             |
| Detection Range          | Adjustable up to $\Phi$ 14m (H=2.5 - 5m)  |             |
|                          | Adjustable up to $\Phi$ 10m (H=5.5 - 10m)   |             |
| Auto Off Time Adjustment | Time 1 (for lighting): Adjustable from approx. 10sec to 30min, Test & $\sqrt{ts}$ |             |
|                          | Time 2 (for HVAC): Adjustable from approx. 10sec to 60min                         |             |
| Lux Adjustment           | Adjustable from approx. 10Lux to $\infty$ (∞) and *                               |             |
|                          | * (learning range: 10Lux - 2000Lux)   |             |
| Environmental Protection | Class II  |             |
|                          | IP40 (Flush mount with power box cap and European standard junction box)          |             |
|                          | IP52 (Surface mount with junction box)  |             |

### Safety Warning

#### HAZARD OF ELECTRIC SHOCK, EXPLOSION OR ARC FLASH

Safe electrical installation must be carried out only by skilled professionals. Skilled professionals must prove profound knowledge in the following areas:

- Connecting to installation networks
- Connecting several electrical devices
- Laying electric cables
- Safety standards, local wiring rules and regulations
- Cut off the input circuit and tag it before accessing the wiring connections.

**Failure to follow these instructions will result in death or serious injury.**

## 1 PACKAGE CONTENT

|          |          |                       |        |
|----------|----------|-----------------------|--------|
| Pattern  |          |                       |        |
| Item     | Detector | Screw $\Phi$ 3 x 16mm | Manual |
| Quantity | 1        | 2                     | 1      |

|          |              |                                  |                              |  |               |
|----------|--------------|----------------------------------|------------------------------|--|---------------|
| Pattern  |              |                                  |                              |  |               |
| Item     | Junction box | Non-dropping screw $\Phi$ 3x15mm | Wood screw $\Phi$ 4 x 25.4mm |  | Power box cap |
| Quantity | 1            | 4                                | 2                            |  | 1             |

### Accessories for optional purchase

|          |                                   |
|----------|-----------------------------------|
| Pattern  |                                   |
| Item     | IR remote controller<br>CCT556023 |
| Quantity | 1                                 |

## 2 PRODUCT DESCRIPTION

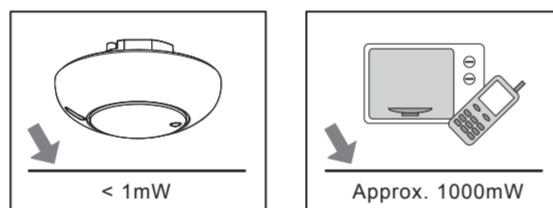
### 2.1 Features

- Can be mounted at height up to 10m, it is ideal building with high ceiling, such as warehouse, gymnasium, etc.
- High sensitivity for detecting the slightest movement.
- Sensitivity will not be changed whether movement is across or towards to the detector.
- Powerful circuit design to control all kinds of lamps.
- A light detecting sensor is built-in for setting the desired light level to switch on the controlled lighting automatically at the right timing to maximize energy savings and save more of your electricity expense.
- Various mounting methods, including ceiling flush mounted with spring clips power box cap directly or combined with the existing European standard junction box and ceiling surface mounted with the junction box.
- Except the provided Lux values, the ambient light level can be read-in either by IR or knob as the threshold for switching on / off the loads for more flexible application.
- An additional function of manually switching on / off the controlled load is feasible by connecting to a push button switch.
- IR remote control is available optional for easy and quick settings

### 2.2 Characteristic of high frequency presence detector

- 2.2.1 High frequency sensor is able to penetrate non-metallic materials such as the wood board, brick wall, glass, etc., but it can not penetrate water and metal.
- 2.2.2 High frequency presence detector has high reliability and its detection range is less affected by temperature, airflow, wind, etc..
- 2.2.3 The humidity, vibration as well as measurement of moving object can weaken the performance of high frequency detector.
- 2.2.4 The detector is more sensitive for moving in different speed which lead to larger detection range and it is less sensitive for moving in same speed, therefore, the detection range could be reduced.
- 2.2.5 It is easy to be false triggered because of its strong penetrability of non-metallic materials and high sensitivity. It should be more careful while choosing the location of detector.

The high-frequency output of radar module is <1mW; approximately just 0.1% of the transmission power of a mobile telephone or the output of a microwave oven.



## 3 DIMENSION

- $\Phi$ 107 x 50mm

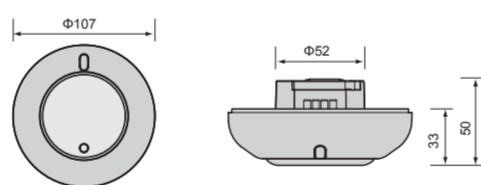


FIG.1-A

- Detector with power box cap (for optional purchase)

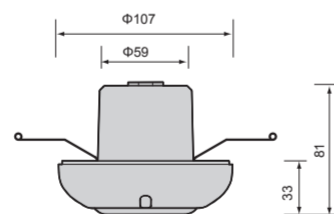


FIG.1-B

- Detector with junction box (for optional purchase)

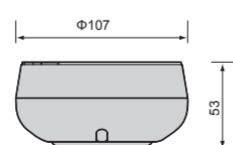


FIG.1-C

## 4 INSTALLATION AND WIRING

### 4.1 Select a proper location

#### 4.1.1 Detection coverage

| Installation height | Detection range    |                    |
|---------------------|--------------------|--------------------|
|                     | Meter knob set "+" | Meter knob set "-" |
| H=2.5 - 3.5m        | $\Phi$ 14m         | $\Phi$ 2m          |
| H=4 - 5m            | $\Phi$ 14m         | /                  |
| H=5.5 - 10m         | $\Phi$ 10m         | /                  |

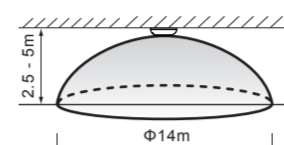


FIG.2-A

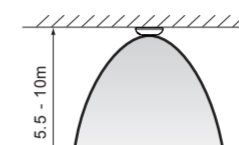


FIG.2-B

#### 4.1.2 Helpful tips for installation

The penetration of detector for different materials, please see below table:

| Material      | Penetration   | Attenuation |
|---------------|---|-------------|
| PVC & plastic | Yes   | 5% - 10%    |
| Wood          | Yes   | 10% - 20%   |
| Glass         | Yes, the different thicknesses of glass can result in different attenuation | 15% - 30%   |
|               | Yes, the brick wall with thickness less than 30cm                           | 60% - 70%   |
| Brick         | No, the brick wall with thickness over 30cm                                 | 100%        |
|               | Reinforced concrete   | No          |
| Metal         | No  | 100%        |

#### 4.1.3 When mounting the detector on ceiling

Please keep the detector at least 4m (B) away from the wall of wooden, glass or brick material which thickness is less than 30cm (A) or 1m (B) away from the wall which thickness is over 30cm (A). Also, users can adjust Meter knob to decrease the sensitivity and coverage, which can avoid false triggering when people passing through outside the wall.

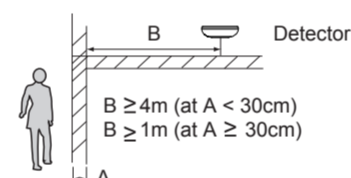


FIG.3

- 4.1.4 The water-flow in waterpipe would be possible to trigger the HF detector. It is recommended to keep the detector away from the waterpipe as the following guidelines to avoid nuisance triggering.

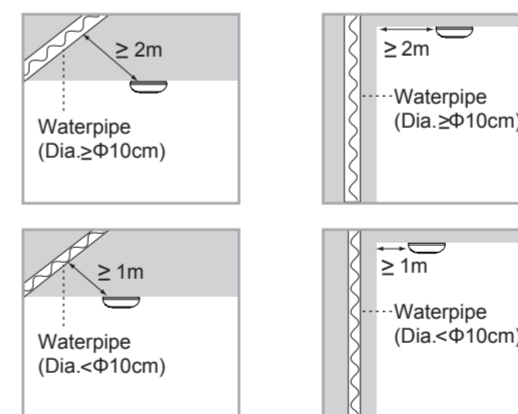


FIG.4

### 4.2 Function

#### 4.2.1 The function of R terminal

- 4.2.1.1 Terminal of R and push button (N.O.) can be series connected to enable on/off control on load. (case 1: on  $\rightarrow$  off; case 2: off  $\rightarrow$  on). While pressing push button ( $\leq$ 1sec):

Please note, this function is invalid when the lighting (detector) is in the On 8hrs & Off 8hrs conditions set by IR remote control.

**Case 1: Manual off switching (Lux settings is invalid):** If the lighting is under in on mode, it can be manually switched off. If the lighting is switched off manually by pressing ( $\leq$ 1sec) the push button (activate the manual off mode), it keeps off even the detector is triggered. If the room is vacant for a longer period (switch off delay time elapsed), the manual off status (= manual off mode) is deactivated, then the detector backs to the last setting mode before entering into manual off mode. If the device is in the manual off mode, the second press on the push button activates the manual on mode.

**Case 2: Manual on switching (Lux settings is invalid):**

If the lighting is in off mode, it can be manually switched on. If the lighting is switched on manually by pressing ( $\leq$ 1sec) the push button (activate the manual on mode), it keeps on while the detector is triggered constantly, and it turns off when no movement detected and the switch off delay time elapsed, and the detector backs to the last setting mode before entering into manual on mode. If the device is in the manual on mode, the second press on the push button activates the manual off mode.

#### 4.2.2 Ambient light appraisal

According to the changeable ambient light level, detector can postpone load's delay time of turning on and off to avoid load's unnecessarily switching due to rapid ambient light change: Ambient light level changes from bright to dark: If the ambient light level keeps be lower than the preset Lux value for 10sec, the light will be automatically switched on after 10sec. (LED will be on 10sec for indication) Ambient light level changes from dark to bright: If the ambient light level continuously exceeds the switch off Lux value for 5min, there are different reactions according to the time setting value. Time setting  $\geq$  5min, the light will be automatically switched off after 5min. Time setting < 5min, the light will be automatically switched off when the set time reached if no movement is detected during the 5min. But if there is movement detected within the 5min, the time will be reset upon detection and until 5min later, the light is switched off.

### 4.3 Wiring

#### HAZARD OF ELECTRIC SHOCK

Dangerous voltage is present at the wiring terminals.  
 • To avoid injury, lock out and tag the supply circuit before installation.  
 • A circuit breaker (250 V AC, 10 A) Type C must be installed according to EN60898-1.

**Failure to follow these instructions will result in death or serious injury.**

#### 4.3.1 CCT551023 for standard application (See. FIG.5)

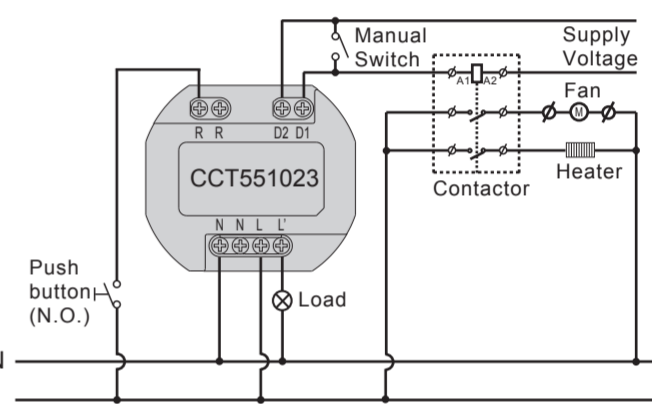


FIG.5

#### 4.3.2 CCT551023 controls staircase timer switch (Time1 should be set to $t_{rsL}$ ) (See. FIG.6)

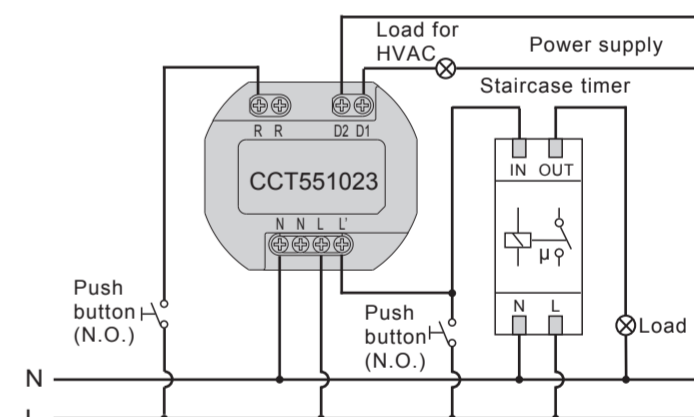


FIG.6

### 4.4 Installation procedure

#### 4.4.1 Flush mount with European standard junction box

- 4.4.1.1 Take off decorative frame of the detector, then take the detector head apart from power box by unscrew its 4pcs non-dropping screws (See FIG.7).

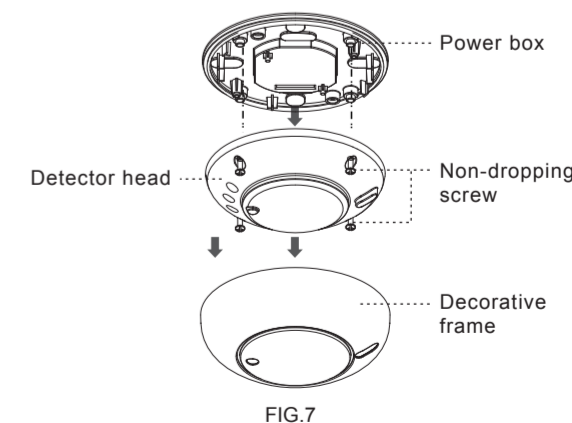


FIG.7

4.4.1.2 Pull out AC power cables from European standard junction box then strip off 6 - 8mm of cable sheathing for wiring (See FIG.8 ).

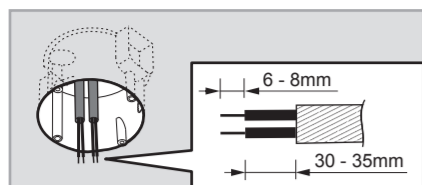


FIG.8

4.4.1.3 Fix the power box into European standard junction box with 2pcs screws (See FIG.9).

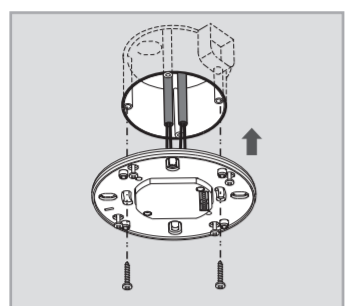


FIG.9

4.4.1.4 Fix the detector head on power box by inserting its four non-dropping screws into the corresponding screw holes, then cover up the decorative frame (See FIG.7).

4.4.1.5 Restore the power supply.

4.4.2 Flush mount with power box cap

4.4.2.1 To install detector, please drill a hole with diameter of 65mm on ceiling board and keep the power cable out-side. Please strip off 6 - 8mm of cable sheathing for wiring (See FIG.10).

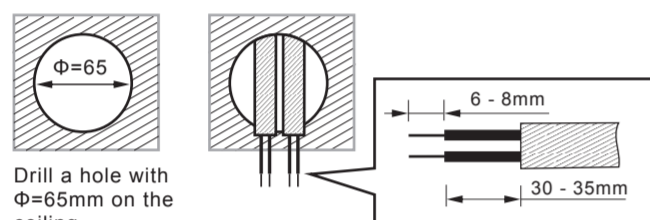


FIG.10

4.4.2.2 Use screwdriver to break the rubber gasket on Power box cap, then feed cables through it (See FIG.11).

4.4.2.3 Please refer to illustration of FIG.5 - FIG.6 for correct wiring and then screw the Power box cap tightly.

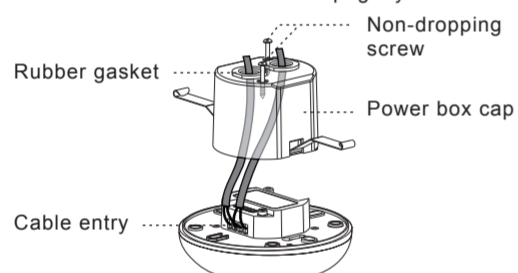


FIG.11

4.4.2.4 Close up detector's two spring clips and insert detector into the drilled hole on ceiling (See FIG.12).

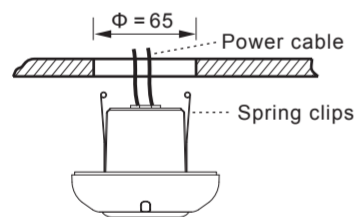


FIG.12

4.4.2.5 Restore the power supply.

4.4.3 Surface mount with junction box

4.4.3.1 There are 4 pairs of knockouts with various distances from 41mm to 85mm on the junction box can be selected for different mounting applications (See FIG.13-A). Select two same figures on both ends for the corresponding distance for fixing (See FIG.13-B).

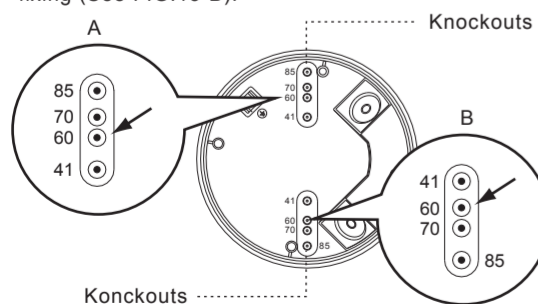


FIG.13-A

| NO. | A  | B  | The distance between A and B |
|-----|----|----|------------------------------|
| 1   | 41 | 41 | 41mm                         |
| 2   | 60 | 60 | 60mm                         |
| 3   | 70 | 70 | 70mm                         |
| 4   | 85 | 85 | 85mm                         |

FIG.13-B

4.4.3.2 To feed AC power cables through the side of junction box, please use the cutting pliers to break the cable entry knockouts on the side of junction box, then insert cables into junction box and feed through it. Strip off 6 - 8mm of cable sheathing for wiring (See FIG.14).

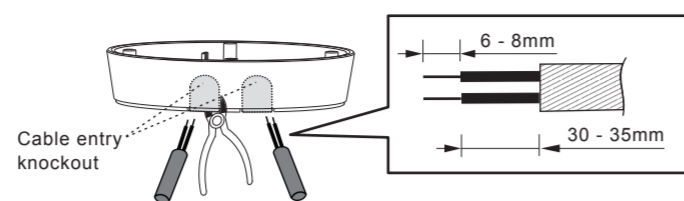


FIG.14

4.4.3.3 Choose proper knockouts to fix the junction box on the surface of ceiling board with 2pcs wood screws attached with rubber washer (See FIG.15).

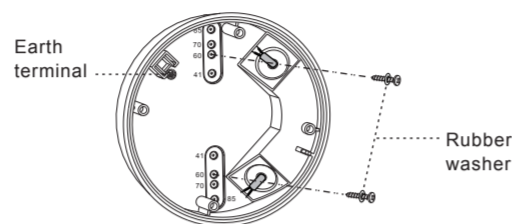


FIG.15

4.4.3.4 Insert 4pcs non-dropping screws to the corresponding screw holes on detector's fixing plate, and those 4pcs screws will not drop off to provide convenience to the subsequent installations (See FIG.16).

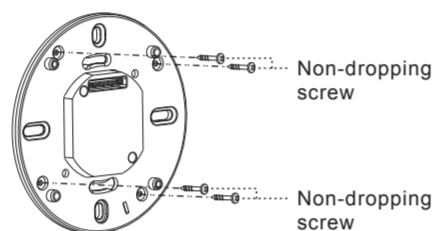


FIG.16

4.4.3.5 Refer to wiring diagrams for correct wiring connection (See FIG.5 - FIG.6). There is a square hole in the fixing plate, when you put the fixing plate into the junction box, please fit the fillister to the junction box's protrusion (See FIG.17), then fix the detector head on the power box following FIG.9 and assemble them with the attached 4pcs non-dropping screws.

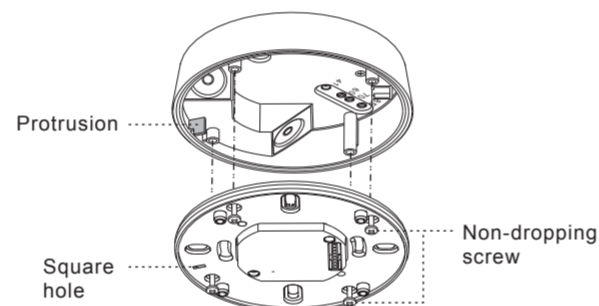


FIG.17

4.4.3.6 Cover up the detector's decorative frame and restore the power supply.

## 5 OPERATION AND FUNCTION

### 5.1 Setting of Meter, Lux and Time knobs

| Knob (Ex-factory setting) | Function                                  | Knob setting   |
|---------------------------|---|--|
|                           | Set the sensitivity of detector           | Range: Adjustable from "-" (approx. 4m) to "+" (approx. 14m). Refer to 4.1.1.  |
|                           | Set the light value for switching on load | Range : Adjustable from approx. 10Lux to "☀" (∞).<br>☀ (learn): The actual ambient light level (10Lux - 2000Lux) can be read in.   |
|                           | Delay off time for lighting               | Range: Adjustable from approx. 10sec to 30min<br>Test : Test mode (Load and red LED will be 2sec on, 2sec off)<br>⏏ : Short impulse mode for staircase timer switch control (Load will be 1sec on, 9sec off) |
|                           | Set delay off time for HVAC               | Range : Adjustable from approx. 10sec to 60min   |

### 5.2 Lux learning function with knob

Learning procedure:

- Adjust the knob to "☀" when the ambient light level matches with the desired value (See FIG.18-A).
- When the knob is set to "☀" originally, it should be adjusted to other position more than 1sec, then goes back to "☀" (See FIG.18-B).
- Then the load is off. LED starts to flash slowly indicating entering into learning mode. Learning will be completed within 25 seconds. Afterwards, the LED and load will keep on 5sec or LED flash quickly for 5sec and load is off to confirm successful learning (See FIG.18-C).
- After learning procedure, the detector returns to AUTO mode with LED and load being off.

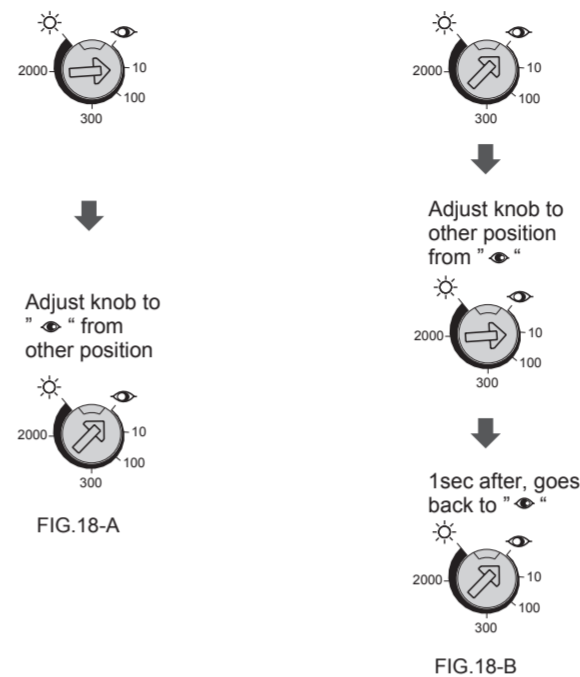
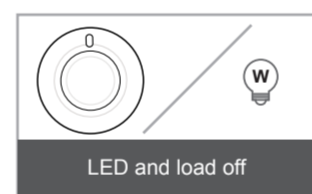
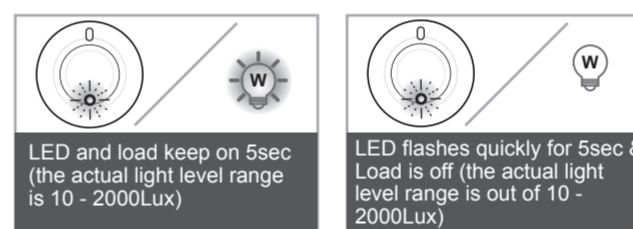
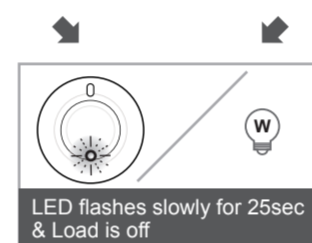


FIG.18-A

FIG.18-B



Detector switches to AUTO mode

FIG.18-C

### 5.3. Walk test (Lux is invalid)

The purpose of conducting the walk test is to check and adjust the detection coverage.

Test procedures:

- Tester must be within the detection coverage.
- Switch the power on.
- The detector takes approx. 30sec to warm up with load and LED keeps on, then turn off after warming up time.
- Walk from outside across or toward to the detection coverage until LED and load turn on for 2sec (See FIG.19).
- Adjusting Meter knob for desired detection range.

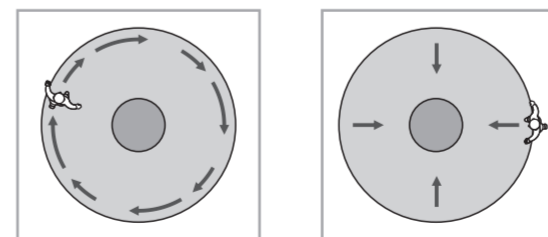


FIG.19

## 6 TROUBLE SHOOTING

When the detector works abnormally, please check assumptive problems and suggested solutions in below table that will hopefully to solve your problem.

| Problem                           | Possible cause   | Suggested solution  |
|-----------------------------------|--|---|
| LED does not turn on              | 1. No power is supplied.<br>2. Incorrect wiring.                           | 1. Switch on the power.<br>2. Connect the load referring to the wiring diagrams (See FIG.5 - FIG.6 ).   |
| Lighting device does not turn on  | 1. Incorrect wiring.<br>2. Malfunctioned load.                             | 1. Connect the load referring to the wiring diagrams (See FIG.5 - FIG.6 ).<br>2. Replace the disabled load with a new one.  |
| Lighting device does not turn off | 1. Detector is nuisance triggered.<br>2. Incorrect wiring.                 | 1. Keep away from detection coverage to avoid activating detector while doing the test.<br>2. Connect the load referring to the wiring diagrams (See FIG.5 - FIG.6 ). |
| Nuisance triggered                | 1. Reflective metallic materials.<br>2. Vibration of installation surface. | 1. Check if the detector is aimed toward to any reflective metallic materials.<br>2. Check if the detector is mounted on the vibrational surface.                     |

## 7 OPTIONAL ACCESSORY

7.1 It is strongly recommended to purchase the corresponding IR remote control (art. no. CCT556023) for easy and safe setting operations on the detector.

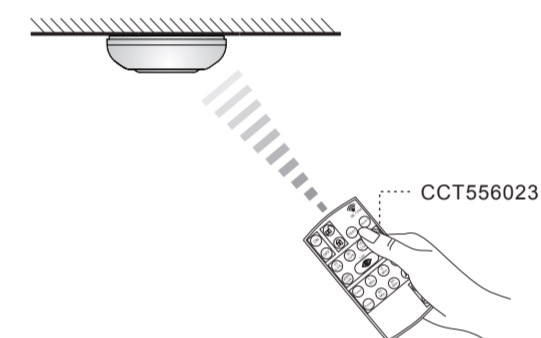


FIG.22

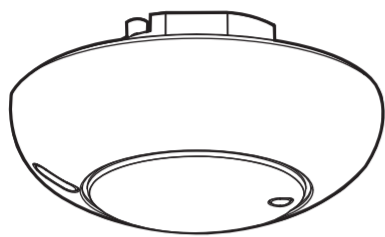
Schneider Electric Industrie SAS

If you have technical questions, please contact the Customer Care Centre in your country.  
schneider-electric.com/contact

MANUEL DE L'UTILISATEUR  
**Détecteur de présence ARGUS**  
 Haute fréquence pour rayonnement haut - 2 canaux

Réf.  
 CCT551023

# ARGUS



## MANUEL DE L'UTILISATEUR

### SPECIFICATIONS TECHNIQUES

|                             |  |
|-----------------------------|--|
| Tension assignée            | 220 V - 240 V~50/60 Hz   |
| Charger                     | Charge I (L') pour éclairage : $\mu$<br>Ampoule incandescente : 2 000 W max.<br>Ampoule halogène HT : 1 000 W max.<br>Ampoule halogène BT : 1 000 VA<br>Ampoule fluorescente : 900 VA<br>Ampoule LED : 100 W max.<br>Ampoule Eco-Fluo (LFC) : 100 W max. |
|                             | Charge II (D1-D2) pour HVAC (Lux non valide) :<br>Taux relais : 5 A ( $\cos\phi = 1$ ) max.,<br>250 V CA<br>Puissance du moteur : 100 W max.   |
| Fréquence :                 | 5,8GHz   |
| Angle de détection          | 360°   |
| Plage de reconnaissance     | Réglable jusqu'à $\Phi$ 14 m (H = 2,5 - 5 m)<br>Réglable jusqu'à $\Phi$ 10 m (H = 5,5 - 10 m)  |
| Arrêt Auto<br>Réglage temps | Temps 1 (pour l'éclairage) : réglable d'env.<br>10 sec. à 30 min, Test & $\overline{FS}$<br>Temps 2 (pour HVAC) : Réglable d'env. 10 sec.<br>à 60 min  |
| Réglage des Lux             | réglable d'env. 10 Lux à $\infty$ et<br>« $\blacktriangleleft$ » (plage d'apprentissage : 10 Lux - 2 000 Lux)  |
| Protection environnementale | Catégorie II<br>IP40 (montage encastré avec boîte d'alimentation et boîte de jonction de norme européenne)<br>IP52 (montage en saillie avec boîte de jonction)   |

### Avertissement de sécurité

**⚠ DANGER**  
**RISQUES D'ELECTROCUTION, D'EXPLOSION OU D'ARC ELECTRIQUE**

Une installation électrique en toute sécurité doit être réalisée uniquement par des professionnels compétents. Les professionnels compétents doivent démontrer un connaissance approfondie dans les domaines suivants :

- raccordement de réseaux d'installation
- raccordement de divers appareils électriques
- pose de câbles électriques
- normes de sécurité, réglementation nationale sur le câblage
- coupure du circuit d'entrée et identification avant d'accéder aux connexions électriques.

**Le non-respect des présentes instructions peut entraîner la mort ou des blessures graves.**

## 1 CARTON COMPREND

|          |                   |                                  |                               |
|----------|-------------------|----------------------------------|-------------------------------|
| Modèle   |                   |                                  |                               |
| Élément  | Détecteur         | Vis $\Phi$ 3 x 16 mm             | Manuel                        |
| Quantité | 1                 | 2                                | 1                             |
| Modèle   |                   |                                  |                               |
| Élément  | Boîte de jonction | Vis imperdables $\Phi$ 3 x 15 mm | Vis à bois $\Phi$ 4 x 25,4 mm |
| Quantité | 1                 | 4                                | 2                             |
|          |                   |                                  | Cache de boîte d'alimentation |
|          |                   |                                  | 1                             |

### ● Accessoires pour achat d'options

|          |                              |
|----------|------------------------------|
| Modèle   |                              |
| Élément  | Télécommande IR<br>CCT556023 |
| Quantité | 1                            |

## 2 DESCRIPTION DU PRODUIT

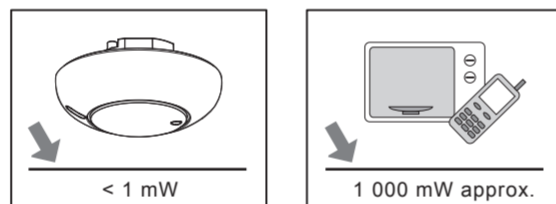
### 2.1 Caractéristiques

- Peut être monté jusqu'à une hauteur de 10 m, idéal pour les bâtiments à hauts plafonds tels que les magasins, entrepôts, gymnases, etc.
- Haute sensibilité pour la détection de mouvements infimes.
- La sensibilité ne change pas, que le mouvement soit en travers ou vers le détecteur.
- Concept de circuit puissant pour commander tout type d'ampoules.
- Un capteur de détection de lumière est intégré pour le réglage de la luminosité souhaitée pour allumer automatiquement l'éclairage au bon moment tout en maximisant l'économie d'énergie et permettant d'alléger la facture d'électricité.
- Diverses méthodes de montage, comprenant le montage encastré avec cache de boîte d'alimentation à clips à ressort directement ou associé à une boîte de jonction de norme européenne existante, et le montage en saillie avec la boîte de jonction.
- A l'exception des valeurs en Lux fournies, la luminosité ambiante peut être saisie à la fois par l'IR ou par le bouton comme un seuil d'allumage / d'extinction des charges pour une application plus flexible.
- Une fonction supplémentaire d'allumage/extinction manuel de la charge commandée est faisable par un raccordement à l'interrupteur à bouton-poussoir.
- La télécommande IR est disponible en option pour des réglages rapides et simples

### 2.2 Caractéristique du détecteur de présence à haute fréquence

- 2.2.1 Le capteur à haute fréquence est capable de pénétrer des matériaux non métalliques tels qu'un panneau de bois, un mur de briques, le verre, etc., mais ne peut pas pénétrer dans l'eau et le métal.
- 2.2.2 Le détecteur de présence à haute fréquence est d'une grande fiabilité et sa plage de détection est moins affectée par la température, les courants d'air, le vent, etc.
- 2.2.3 L'humidité, les vibrations tout comme la mesure d'objets en mouvement peuvent altérer les performances du détecteur à haute fréquence.
- 2.2.4 Le détecteur est plus sensible pour les déplacements à différentes vitesses, ce qui engendre une plage de détection plus large ; et il est moins sensible pour les déplacements à vitesses identiques, c'est pour cela que la plage de détection peut être réduite.
- 2.2.5 Un mauvais déclenchement est simple en raison de sa forte pénétration dans des matières non-métalliques et sa haute sensibilité. Il est plus astucieux lors du choix de l'emplacement du détecteur.

La sortie à haute fréquence du module radar est de < 1 mW ; approximativement tout juste 0,1 % de la puissance de transmission d'un téléphone portable ou la sortie d'un four à micro-ondes.



## 3 DIMENSIONS

- $\Phi$  107 x 50 mm

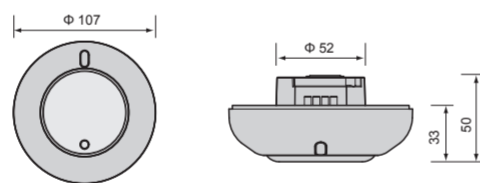


FIG. 1-A

- Détecteur avec cache de boîte d'alimentation (pour l'achat d'options)

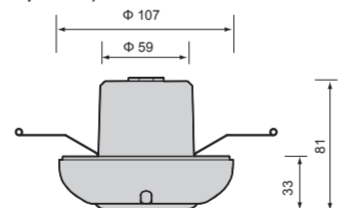


FIG. 1-B

- Détecteur avec boîte de jonction (pour l'achat d'options)

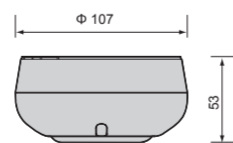


FIG. 1-C

## 4 INSTALLATION ET CABLAGE

### 4.1 Sélectionner un emplacement adapté

#### 4.1.1 Couverture de détection

| Hauteur d'installation | Plage de reconnaissance       |                               |
|------------------------|-------------------------------|-------------------------------|
|                        | Réglage du bouton Mètre « + » | Réglage du bouton Mètre « - » |
| H = 2,5 - 3,5 m        | $\Phi$ 14 m                   | $\Phi$ 2 m                    |
| H = 4 - 5 m            | $\Phi$ 14 m                   | /                             |
| H = 5,5 - 10 m         | $\Phi$ 10 m                   | /                             |

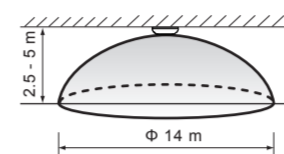


FIG. 2-A

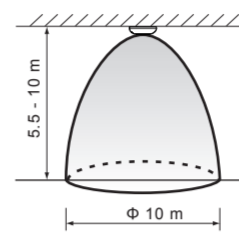


FIG. 2-B

#### 4.1.2 Conseils pratiques pour l'installation

La pénétration du détecteur pour différents matériaux, voir tableau ci-dessous :

| Matériau        | Pénétration   | Atténuation |
|-----------------|---|-------------|
| PVC & plastique | Oui   | 5 % - 10 %  |
| Bois            | Oui   | 10 % - 20 % |
| Verre           | Oui, les différentes épaisseurs de verre peuvent engendrer différentes atténuations | 15 % - 30 % |
| Brique          | Oui, le mur en brique d'une épaisseur de moins de 30 cm                             | 60 % - 70 % |
|                 | Non, le mur en brique d'une épaisseur de plus de 30 cm                              | 100 %       |
| Béton armé      | Non   | 100 %       |
| Métal           | Non   | 100 %       |

#### 4.1.3 Lors du montage du détecteur au plafond

Veillez maintenir le détecteur à une distance d'au moins 4 m (B) d'un mur en bois, verre ou brique dont l'épaisseur est inférieure à 30 cm (A) ou à 1 m (B) d'un mur dont l'épaisseur est supérieure à 30 cm (A). Les utilisateurs peuvent également régler le bouton Mètre sur Diminuer la sensibilité et la couverture, ce qui évite un déclenchement intempestif lorsque des gens passent de l'autre côté du mur.

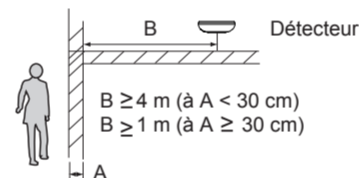


FIG. 3

- 4.1.4 Le débit d'eau dans une conduite d'eau peut permettre le déclenchement du détecteur HF. Il est recommandé de maintenir le détecteur à distance d'une conduite d'eau selon les directives suivantes pour éviter de nuire au déclenchement.

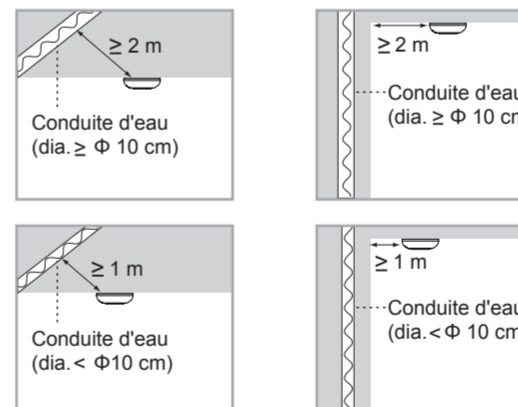


FIG. 4

### 4.2 Fonctionnement

#### 4.2.1 Le fonctionnement de la borne R

- 4.2.1.1 Borne de R et bouton-poussoir (N.O.) peuvent être raccordés en série ce qui active la commande marche/arrêt sur la charge électrique.  
 (cas 1 : marche → arrêt ; cas 2 : arrêt → marche).  
 En appuyant sur le bouton-poussoir ( $\leq$  1 sec.) :  
 Veuillez noter que cette fonction n'est pas valide lorsque l'éclairage (détecteur) est en mode 8h Marche & 8h Arrêt, réglé par une télécommande IR.

Cas 1 : Mise à l'arrêt manuelle (le réglage des Lux n'est pas valide) :

Si l'éclairage est en mode de marche, il peut être éteint manuellement. Si l'éclairage est éteint manuellement en appuyant ( $\leq$  1 sec.) sur le bouton-poussoir (active le mode manuel d'arrêt), il reste éteint même si le détecteur s'est déclenché.

Si la pièce est vide pour une longue durée (délai d'extinction écoulé), l'état d'arrêt manuel (= mode manuel d'arrêt) est désactivé, puis t revient au dernier mode de réglage avant d'être passé en mode d'arrêt manuel. Si l'appareil est en mode manuel d'arrêt, le second appui sur le bouton-poussoir active le mode manuel de marche.

Cas 2 : Mise en marche manuelle (le réglage des Lux n'est pas valide) :

Si l'éclairage est en mode d'arrêt, il peut être allumé manuellement. Si l'éclairage est allumé manuellement en appuyant ( $\leq$  1 sec.) sur le bouton-poussoir (active le mode manuel de marche), il reste allumé lorsque le détecteur se déclenche constamment et il s'éteint en l'absence de mouvements à la fin du délai de temporisation, et le détecteur revient au dernier mode de réglage avant d'être passé en mode manuel de marche. Si l'appareil est en mode manuel de marche, le second appui sur le bouton-poussoir active le mode manuel d'arrêt.

#### 4.2.2 Evaluation de la luminosité ambiante

Selon la luminosité ambiante changeante, le détecteur peut retarder la temporisation de charge d'allumage et d'extinction pour éviter l'allumage inutile en raison d'un changement rapide de luminosité ambiante : la luminosité ambiante passe de forte à tamisée : Si la luminosité ambiante reste plus faible que la valeur Lux pré-réglée pendant 10 sec., alors la lumière s'allume automatiquement au bout de 10 sec. (La LED sera allumée pendant 10 sec. pour indication)  
 La luminosité ambiante passe de tamisée à forte : Si la luminosité ambiante dépasse continuellement la valeur Lux d'extinction pendant 5 min, différentes réactions ont lieu selon le réglage du temps. Réglage du temps à  $\geq$  5 min, la lumière s'éteint automatiquement au bout de 5 min.  
 Réglage du temps < 5 min, la lumière s'éteint automatiquement lorsque le temps réglé est atteint si aucun mouvement n'est détecté dans les 5 min. Mais si un mouvement est détecté dans les 5 min., le temps est réinitialisé jusqu'à la détection et jusqu'à 5 min. plus tard, la lumière s'éteint.

### 4.3 Câblage

#### ⚠ DANGER

##### RISQUE D'ELECTROCUTION

- Une tension dangereuse est présente sur les bornes de câblage.
- Pour éviter toute blessure, verrouiller et identifier le circuit d'alimentation avant l'installation.
- Un coupe-circuit (250 V CA, 10 A) de type C doit être installé conformément à EN60898-1.

**Le non-respect des présentes instructions peut entraîner la mort ou des blessures graves.**

#### 4.3.1 CCT551023 pour application standard (voir. FIG. 5)

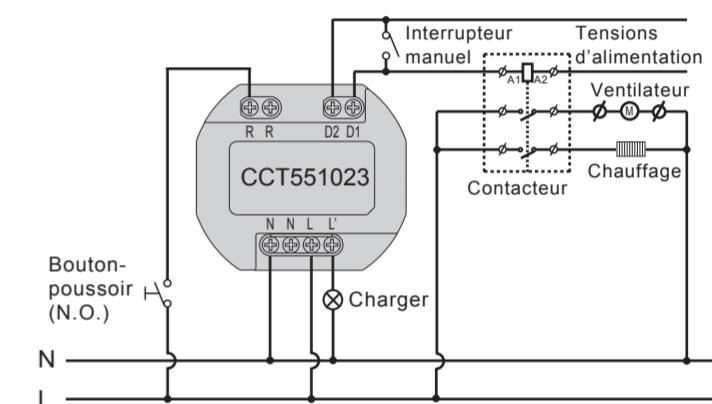


FIG. 5

#### 4.3.2 CCT551023 contrôle la minuterie de la cage d'escalier (Temps 1 doit être réglé à $\overline{FS}$ ) (voir. FIG. 6)

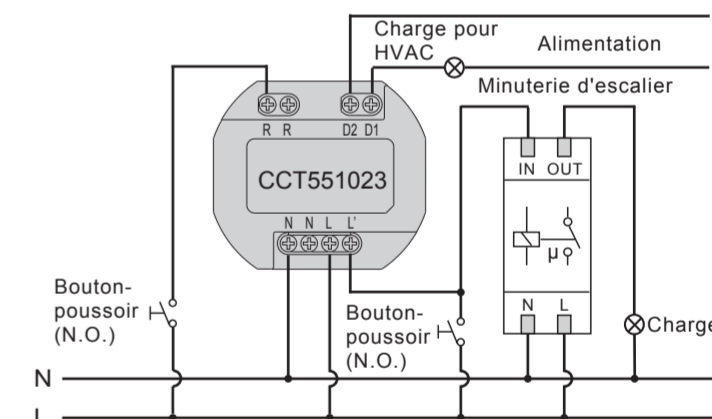


FIG. 6

### 4.4 Procédure d'installation

#### 4.4.1 Montage encastré avec une boîte de jonction de norme européenne

- 4.4.1.1 Retirer le cadre ornemental du détecteur, puis séparer la tête du détecteur de la boîte d'alimentation en dévissant ses 4 vis imperdables (voir FIG. 7).

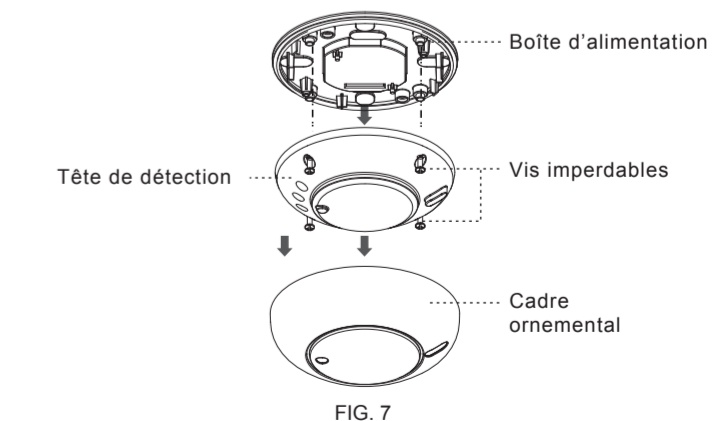


FIG. 7

4.4.1.2 Sortir le câble d'alimentation CA de la boîte de jonction de norme européenne puis retirer 6 à 8 mm de la gaine du câble pour les besoins du câblage (voir FIG. 8).

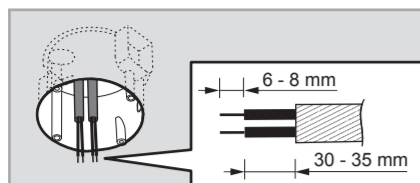


FIG. 8

4.4.1.3 Fixer la boîte d'alimentation dans la boîte de jonction de norme européenne avec 2 pcs vis (voir FIG. 9).

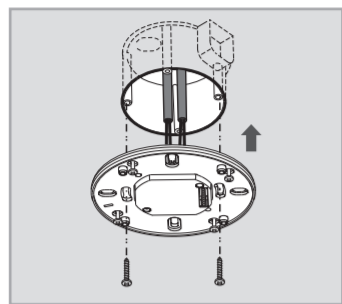


FIG. 9

4.4.1.4 Fixer la tête de détection sur la boîte d'alimentation en insérant ses quatre vis imperdables dans les trous correspondant, puis recouvrir avec le cadre ornemental (voir FIG. 7).

4.4.1.5 Restauration de l'alimentation électrique.

4.4.2 Montage encastré avec boîte d'alimentation

4.4.2.1 Pour installer le détecteur, veuillez percer un trou d'un diamètre de 65 mm dans le plafond tout en maintenant le câble d'alimentation à l'extérieur. Veuillez retirer la gaine de 6 à 8 mm du câble pour les besoins du câblage (voir FIG. 10).

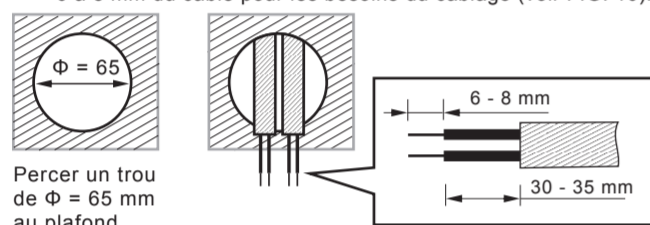


FIG. 10

4.4.2.2 Utiliser un tournevis pour casser le joint en caoutchouc sur le cache de boîte d'alimentation, puis faire cheminer les câbles à l'intérieur (voir FIG. 11).

4.4.2.3 Veuillez vous référer à l'illustration des FIG. 5 et FIG. 6 pour un câblage correct puis visser le cache de la boîte d'alimentation fermement.

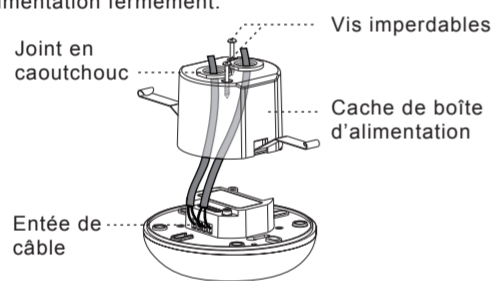


FIG. 11

4.4.2.4 Rabattre les deux clips à ressort et insérer le détecteur dans les trous percés dans le plafond (voir FIG. 12).

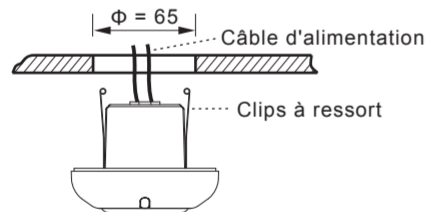


FIG. 12

4.4.2.5 Restauration de l'alimentation électrique.

4.4.3 Montage en saillie avec boîte de jonction

4.4.3.1 Il y a 4 paires de points à chasser à des distances variant de 41 mm à 85 mm sur la boîte de jonction, qui peuvent être sélectionnées pour différentes applications de montage (voir FIG. 13-A). Sélectionner deux figures identiques sur les deux extrémités à la distance correspondant pour la fixation (voir FIG. 13-B).

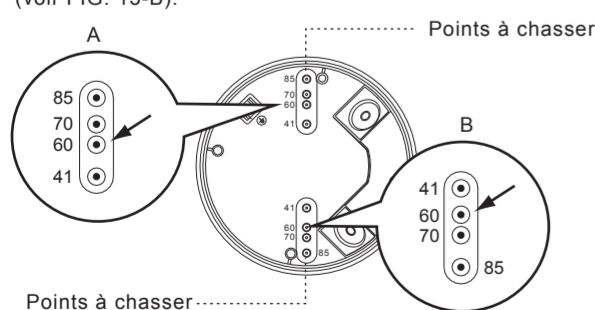


FIG. 13-A

| NO. | A  | B  | La distance entre A et B |
|-----|----|----|--------------------------|
| 1   | 41 | 41 | 41 mm                    |
| 2   | 60 | 60 | 60 mm                    |
| 3   | 70 | 70 | 70 mm                    |
| 4   | 85 | 85 | 85 mm                    |

FIG. 13-B

4.4.3.2 Pour insérer le câble d'alimentation CA au travers du côté de la boîte de jonction, veuillez utiliser un pince coupant pour casser les points à chasser pour l'entrée de câble sur le côté de la boîte de jonction, puis insérer les câbles dans la boîte de jonction et les faire cheminer à l'intérieur. Retirer de 6 à 8 mm de gaine de câble pour les besoins du câblage (voir FIG. 14).

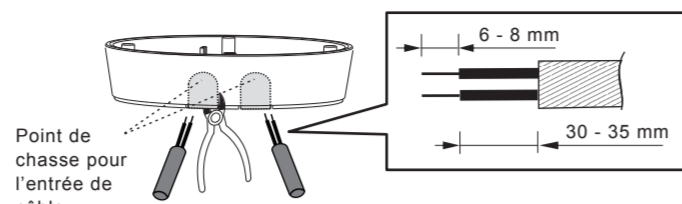


FIG. 14

4.4.3.3 Choisissez les points à chasser adéquat pour fixer la boîte de jonction sur la surface du panneau du plafond avec 2 pcs vis à bois attachées à une rondelle en caoutchouc (voir FIG. 15).

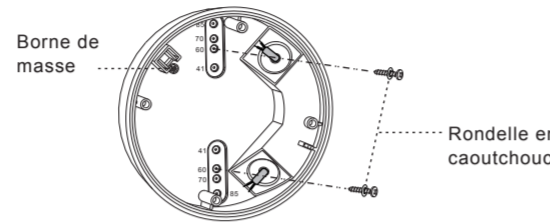


FIG. 15

4.4.3.4 Insérer 4 pcs vis imperdables dans les trous correspondants sur la plaque de fixation du détecteur, ces 4 pcs vis ne tomberont pas et facilitent ainsi une meilleure installation (voir FIG. 16).

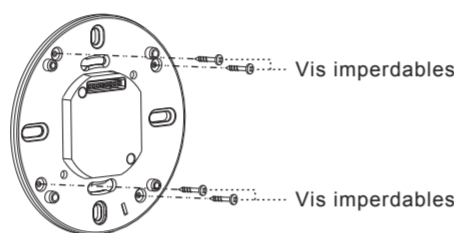


FIG. 16

4.4.3.5 Se référer aux schémas des connexion pour le bon raccordement des câblages (voir FIG. 5 - FIG. 6). Il y a un trou carré dans la plaque de fixation. En plaçant la plaque de fixation dans la boîte de jonction, veuillez adapter le fillister à la protrusion de la boîte de jonction (voir FIG. 17), puis fixez la tête de détection sur la boîte d'alimentation selon la FIG. 9 et assemblez-les à l'aide des 4 pcs vis imperdables attachées.

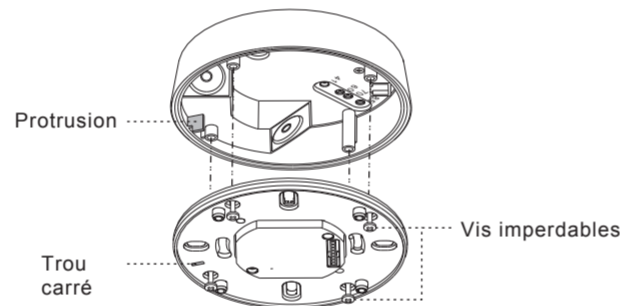


FIG. 17

4.4.3.6 Recouvrement par le cadre ornemental du détecteur et restauration de l'alimentation électrique.

## 5 EXPLOITATION ET FONCTIONNEMENT

### 5.1 Réglage des boutons Mètre, Lux et Temps

| le bouton (réglage en usine Ex) | Fonction   | Réglage du bouton   |
|---------------------------------|--|---|
|                                 | Régler la sensibilité du détecteur                             | Portée : Réglable de « - » (approx. 4 m) à « + » (approx. 14 m).<br>Se référer à 4.1.1.   |
|                                 | Régler la valeur de lumière pour mettre la charge sous tension | Plage : Réglable d'env. 10 Lux à « ∞ » (∞).<br>☛ (apprentissage) : La luminosité ambiante actuelle (10 Lux - 2 000 Lux) peut être saisie  |
|                                 | Temps de délai dépassé pour l'éclairage                        | Portée : Réglable d'env. 10 sec. à 30 min.<br>Test : Mode Test (charge et LED rouge sont allumés pendant 2 sec. on, éteints pendant 2 sec.)<br>☛ : Mode Brève impulsions pour commande d'interrupteur de minuterie d'escalier (la charge est activée pendant 1 sec., désactivée pendant 9 sec.) |
|                                 | Régler le temps de délai dépassé pour HVAC                     | Plage : réglable d'env. 10 sec. à 60 min  |

### 5.2 Fonction d'apprentissage Lux avec le bouton

Procédure d'apprentissage :

- 5.2.1 Régler le bouton sur « ☛ » lorsque la luminosité ambiante correspond à la valeur souhaitée (voir FIG. 18-A).
- 5.2.2 Lorsque le bouton est réglé sur « ☛ » au départ, il doit être ajusté à une autre position supérieure à 1 sec., puis repasse à « ☛ » (voir FIG. 18-B).
- 5.2.3 Puis la charge est désactivée. La LED se met à clignoter lentement, ce qui indique qu'elle entre en mode d'apprentissage. L'apprentissage est terminé dans les 25 secondes qui suivent. Ensuite, la LED et la charge restent actifs pendant 5 sec. ou la LED clignote rapidement pendant 5 sec. et la charge est désactivée pour confirmer l'apprentissage réalisé avec succès (voir FIG. 18-C).
- 5.2.4 Après la procédure d'apprentissage, le détecteur revient en mode AUTO avec la LED et la charge désactivées.

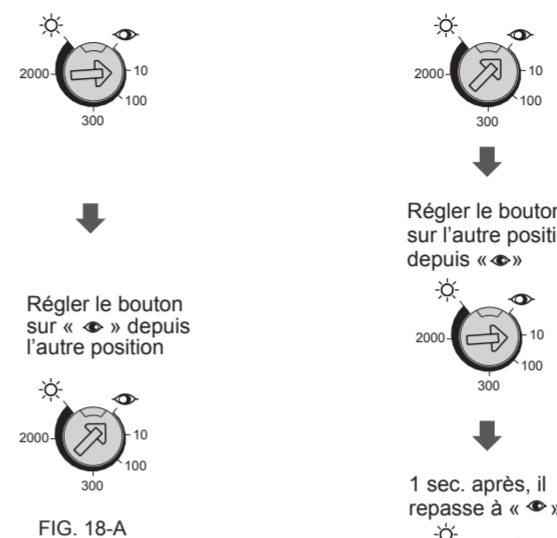
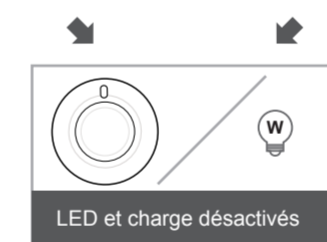
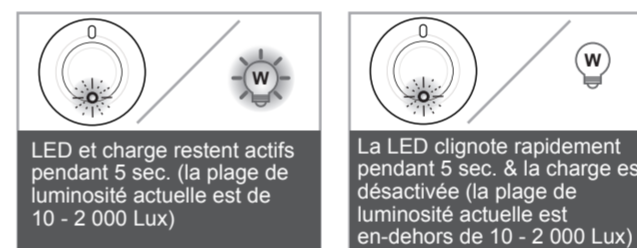
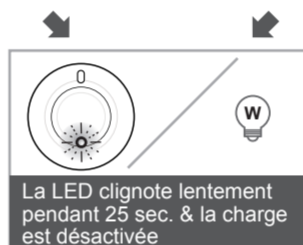


FIG. 18-A

Régler le bouton sur « ☛ » depuis l'autre position



FIG. 18-B



Le détecteur commute en mode AUTO

FIG. 18-C

### 5.3. Test de déplacement (Lux est non valide)

Le but du test de déplacement est de vérifier et de régler la couverture de la détection.

Procédures de test :

- 5.3.1 Le testeur doit être dans la plage de couverture de détection
- 5.3.2 Mettre sous tension.
- 5.3.3 Le détecteur prend env. 30 sec. pour démarrer avec la charge et la LED maintenues activées, puis elles se désactivent après le temps de démarrage.
- 5.3.4 Se déplacer à l'extérieur en traversant ou en allant vers la plage de couverture de détection jusqu'à ce que la LED et la charge s'active pendant 2 sec. (voir FIG. 19).
- 5.3.5 Réglage du bouton Mètre pour la plage de détection souhaitée.

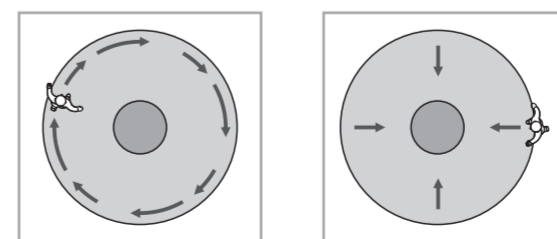


FIG. 19

## 6 DEPANNAGE

Lorsque le détecteur ne fonctionne pas comme il faut, veuillez consulter les problèmes rencontrés et les solutions suggérées dans le tableau ci-dessous, susceptibles de résoudre votre problème.

| Problème                               | Cause possible   | Solution suggéré   |
|--|--|--|
| La LED ne s'allume pas                 | 1. Pas d'alimentation électrique fournie.<br>2. Câblage incorrect.                     | 1. Mettre sous tension.<br>2. Raccorder la charge en se référant aux schémas des connexions (voir FIG. 5 - FIG. 6).  |
| L'appareil d'éclairage ne s'allume pas | 1. Câblage incorrect.<br>2. Charge en dysfonctionnement.                               | 1. Raccorder la charge en se référant aux schémas des connexions (voir FIG. 5 - FIG. 6).<br>2. Remplacer la charge par une autre.  |
| L'appareil d'éclairage s'éteint        | 1. Détecteur est déclenché en nuisance.<br>2. Câblage incorrect.                       | 1. Se maintenir à distance de la couverture de détection pour éviter d'activer le détecteur pendant le test.<br>2. Raccorder la charge en se référant aux schémas des connexions (voir FIG. 5 - FIG. 6). |
| Déclenchée en nuisance                 | 1. Matériaux métalliques réfléchissants.<br>2. Vibration de la surface d'installation. | 1. Vérifier que le détecteur est orienté vers des matériaux métalliques réfléchissants.<br>2. Vérifier que le détecteur est monté sur une surface vibrante.  |

## 7 EN OPTION ACCESSOIRES

7.1 Il est fortement recommandé d'acquérir la télécommande IR (réf. CCT556023) correspondant pour une exploitation avec un réglage sûr et simple sur le détecteur.

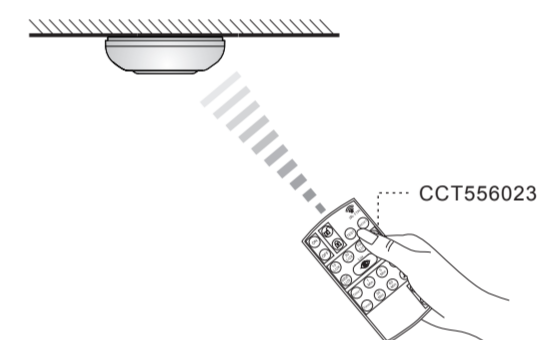
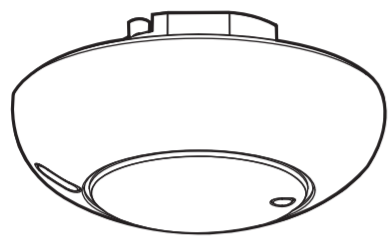


FIG. 22

### Schneider Electric Industrie SAS

Si vous avez des questions d'ordre technique, veuillez contacter le Service Clientèle de votre pays.  
schneider-electric.com/contact

# ARGUS



## GEBRAUCHSANLEITUNG

### TECHNISCHE DETAILS

|  |   |
|--|---|
| Bemessungs-spannung                    | 220 V - 240 V~ 50/60 Hz   |
| Verbraucher                            | Verbraucher I (L') für Beleuchtung: $\mu$<br>Glühlampe: max. 2000 W<br>HV-Halogenlampe: max. 1000 W<br>LV-Halogenlampe: max. 1000 VA<br>Leuchtstofflampe: max. 900 VA<br>LED-Leuchtmittel: max. 100 W<br>Energiesparlampe (CFL): max. 100 W |
|  | Verbraucher II (D1-D2) für HLK (Lux ist ungültig):<br>Relaisleistung: max. 5 A ( $\cos\phi = 1$ ), 250 V AC<br>Motorlast: max. 100 W  |
| Frequenz                               | 5,8 GHz   |
| Erfassungswinkel                       | 360°  |
| Erfassungsbereich                      | Einstellbar bis zu $\Phi$ 14 m (H = 2,5–5 m)<br>Einstellbar bis zu $\Phi$ 10 m (H = 5,5–10 m)   |
| Einstellung der automatischen Aus-Zeit | Zeit 1 (für Beleuchtung): einstellbar von ca. 10 s bis 30 min, Test & $\sqrt{\text{L}}$<br>Zeit 2 (für HLK): einstellbar von ca. 10 s bis 60 min  |
| Einstellung der Beleuchtungsstärke     | Einstellbar von ca. 10 Lux bis $\infty$ (∞) und „ $\sqrt{\text{L}}$ “ (Lernbereich: 10 Lux - 2000 Lux)  |
| Umweltschutz                           | Klasse II<br>IP40 (Unterputzmontage mit Anschluss-Schutzkappe und Abzweigdose nach Europäischer Norm)<br>IP52 (Aufputzmontage mit Abzweigdose)  |

### Sicherheitswarnung

**⚠️ ⚠️ GEFAHR**

**GEFAHR DURCH STROMSTOSS, EXPLOSION ODER LICHTBOGENFLAMME**

Elektroinstallationen dürfen ausschließlich durch qualifizierte Fachleute ausgeführt werden. Qualifizierte Fachleute müssen über fundierte Kenntnisse in folgenden Bereichen verfügen:

- Anschluss an Installationsnetze
- Verbindung mehrerer elektrischer Geräte
- Verlegung von Elektroleitungen
- Sicherheitsstandards, lokale Verdrahtungsregeln und -vorschriften
- Eingangskreis von der Stromversorgung trennen und gegen Wiedereinschalten sichern, bevor mit der Verkabelung gearbeitet wird

**Das Nichtbefolgen dieser Anweisungen kann den Tod oder schwere Verletzungen zur Folge haben.**

## 1 PACKUNGSIHALT

|            |                 |   |                                      |
|------------|-----------------|---|--------------------------------------|
| Musterbild |                 |   |                                      |
| Artikel    | Bewegungsmelder | Schraube $\Phi 3 \times 16$ mm                | Handbuch                             |
| Anzahl     | 1               | 2   | 1                                    |
| Musterbild |                 |   |                                      |
| Artikel    | Abzweigdose     | Nicht fallende Schraube $\Phi 3 \times 15$ mm | Holzschraube $\Phi 3 \times 25,4$ mm |
| Anzahl     | 1               | 4   | 2                                    |
|            |                 |   | Anschluss-Schutzkappe                |
|            |                 |   | 1                                    |

### Optional erhältliches Zubehör

|            |                            |
|------------|----------------------------|
| Musterbild |                            |
| Artikel    | IR-Fernbedienung CCT556023 |
| Anzahl     | 1                          |

## 2 PRODUKTDESCRIPTION

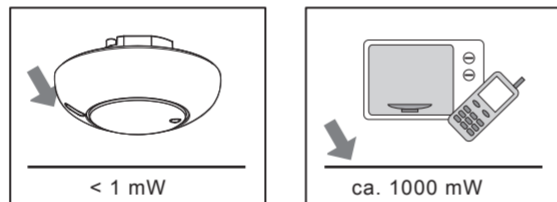
### 2.1 Funktionen

- Montage bis zu einer Höhe von 10 m möglich; ideal für Gebäude mit hohen Dächern wie bspw. Lagerhäuser oder Schulgebäude
- Hohe Empfindlichkeit, erfasst geringste Bewegungen
- Keine Änderung der Empfindlichkeit bei Bewegungen quer oder längs zum Bewegungsmelder
- Leistungsstarkes Schaltungskonzept zur Steuerung unterschiedlicher Arten von Leuchten
- Integrierter Lichtfühler, damit die gesteuerte Beleuchtung automatisch zur richtigen Zeit und mit der gewünschten Helligkeitsstufe eingeschaltet werden kann; dadurch optimierter Energieverbrauch und geringere Stromkosten
- Die Montage ist auf diverse Arten möglich: direkte Unterputz-Deckenmontage der Anschluss-Schutzkappe mit Klemmfedern oder kombiniert mit vorhandener EN-Abzweigdose und Aufputz-Deckenmontage mit Abzweigdose.
- Um eine flexiblere Anwendung zu ermöglichen, kann die Umgebungshelligkeit zusätzlich zu den vorgegebenen Luxwerten auch über IR oder über einen Drehknopf einstellbar werden.
- Außerdem kann der gesteuerte Verbraucher auch manuell ein-/ausgeschaltet werden, wenn ein Drucktaster angeschlossen wird.
- Mit der optional erhältlichen IR-Fernbedienung können Einstellungen einfach und schnell vorgenommen werden.

### 2.2 Merkmale des Hochfrequenz-Präsenzmelders

- 2.2.1 Der Hochfrequenzsensor kann nichtmetallische Materialien wie Holzbretter, Mauerwerk, Glas usw. durchdringen, jedoch nicht Wasser und Metall.
- 2.2.2 Der Hochfrequenz-Präsenzmelder ist sehr zuverlässig und sein Erfassungsbereich wird kaum durch Faktoren wie Temperatur, Luftströmungen oder Wind beeinflusst.
- 2.2.3 Durch Feuchtigkeit, Vibrationen oder ein sich bewegendes Objekt kann die Leistungsfähigkeit des Hochfrequenz-Präsenzmelders beeinträchtigt werden.
- 2.2.4 Ungleichmäßige Geschwindigkeiten eines Objekts können vom Bewegungsmelder besser erfasst werden als gleichmäßige Geschwindigkeiten, sodass der Erfassungsbereich entsprechend größer bzw. kleiner ausfallen kann.
- 2.2.5 Aufgrund der starken Durchdringungsfähigkeit bei nichtmetallischen Materialien und der hohen Empfindlichkeit kann es leicht zu Fehlalarmen kommen. Dies ist bei der Wahl des Standorts für den Bewegungsmelder zu beachten.

Die Hochfrequenzstrahlung des Radarmoduls beträgt  $< 1$  mW, was in etwa 0,1 % der Übertragungsleistung eines Mobiltelefons oder der Strahlung eines Mikrowellengeräts entspricht.



## 3 ABMESSUNGEN

- $\Phi 107 \times 50$  mm

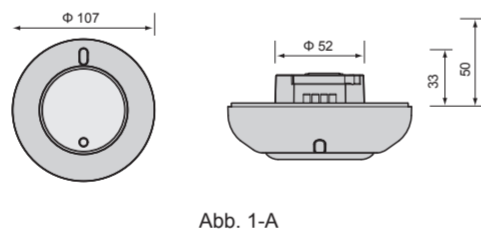


Abb. 1-A

- Bewegungsmelder mit Anschluss-Schutzkappe (optional erhältlich)

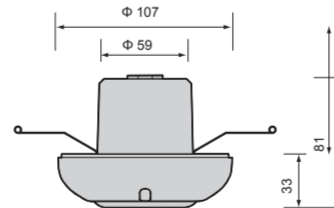


Abb. 1-B

- Bewegungsmelder mit Abzweigdose (optional erhältlich)

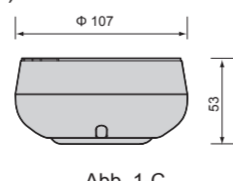


Abb. 1-C

## 4 MONTAGE UND VERKABELUNG

### 4.1 Passenden Standort auswählen

#### 4.1.1 Erfassungsbereich

| Installationshöhe | Erfassungsbereich      |                        |
|-------------------|------------------------|------------------------|
|                   | Drehknopf Richtung „+“ | Drehknopf Richtung „-“ |
| H = 2,5 - 3,5 m   | $\Phi$ 14 m            | $\Phi$ 2 m             |
| H = 4 - 5 m       | $\Phi$ 14 m            | /                      |
| H = 5,5 - 10 m    | $\Phi$ 10 m            | /                      |

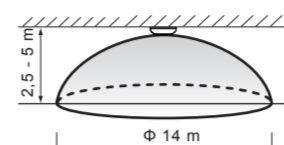


Abb. 2-A

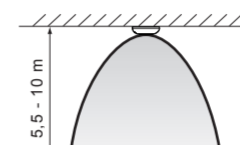


Abb. 2-B

#### 4.1.2 Hilfreiche Tipps zur Installation

In der folgenden Tabelle ist die Durchdringungsfähigkeit des Bewegungsmelders für verschiedene Materialien angegeben:

| Material         | Durchdringung  | Dämpfung             |
|------------------|--|----------------------|
| PVC & Kunststoff | Ja   | 5 % - 10 %           |
| Holz             | Ja   | 10 % - 20 %          |
| Glas             | Ja; die jeweilige Stärke einer Glasscheibe kann unterschiedliche Dämpfungen bewirken.          | 15 % - 30 %          |
| Mauerwerk        | Ja für Mauern, die weniger als 30 cm stark sind<br>Nein für Mauern, die stärker als 30 cm sind | 60 % - 70 %<br>100 % |
| Stahlbeton       | Nein   | 100 %                |
| Metall           | Nein   | 100 %                |

#### 4.1.3 Bei Deckenmontage des Bewegungsmelders

Der Bewegungsmelder sollte mindestens 4 m (B) von Wänden aus Holz, Glas oder Stein entfernt sein, deren Stärke weniger als 30 cm (A) beträgt, bzw. mindestens 1 m (B) von Wänden, deren Stärke 30 cm oder mehr (A) beträgt. Mit dem Drehknopf können Sie zudem die Empfindlichkeit und den Erfassungsbereich zurückregulieren, um Fehlalarme durch Personen, die sich hinter einer Wand bewegen, zu verhindern.

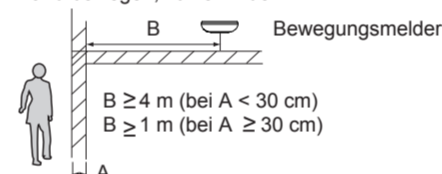


Abb. 3

- 4.1.4 Der HF-Präsenzmelder kann ggf. durch in Wasserrohren fließendes Wasser auslösen. Um Fehlalarme zu vermeiden, wird deshalb empfohlen, den Melder nicht in der Nähe von Wasserrohren zu montieren.

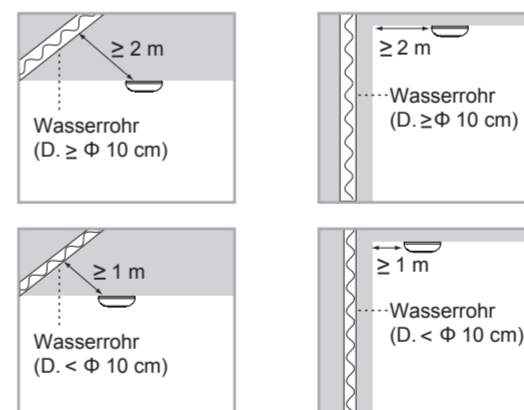


Abb. 4

### 4.2 Funktion

#### 4.2.1 Funktion der Klemme R

- 4.2.1.1 Die Klemme R und der Drucktaster (N. O.) können reihengeschaltet werden, um die Ein-/Aus-Steuerung des Verbrauchers zu ermöglichen. (Stellung 1: Ein → Aus; Stellung 2: Aus → Ein). Zugleich muss der Drucktaster gedrückt werden ( $\leq 1$  s): Bitte beachten Sie, dass diese Funktion nicht verwendet werden kann, wenn die Beleuchtung (Melder) mit der IR-Fernbedienung in den Zustand „8 Std. Ein und 8 Std. Aus“ versetzt wurde.

Fall 1: Manuelles Ausschalten (Lux-Einstellungen sind ungültig): Wenn die Beleuchtung im Modus Ein ist, kann sie manuell ausgeschaltet werden. Wenn die Beleuchtung manuell ausgeschaltet wird, indem der Drucktaster ( $\leq 1$  s) gedrückt wird (aktiviert den Modus Manuell Aus), bleibt sie auch bei erkannten Bewegungen ausgeschaltet. Wird der Raum für längere Zeit verlassen (Verzögerungszeit zum Ausschalten überschritten), wird der Modus Manuell Aus deaktiviert, und der Melder wechselt zurück in den zuletzt eingestellten Modus. Befindet sich das Gerät im Modus Manuell Aus, kann durch erneutes Drücken auf den Drucktaster in den Modus Manuell Ein gewechselt werden.

Fall 2: Manuelles Einschalten (Lux-Einstellungen sind ungültig): Wenn die Beleuchtung im Modus Aus ist, kann sie manuell eingeschaltet werden. Wenn die Beleuchtung manuell eingeschaltet wird, indem der Drucktaster ( $\leq 1$  s) gedrückt wird (aktiviert den Modus Manuell Ein), bleibt sie auch bei erkannten Bewegungen dauerhaft eingeschaltet. Sie schaltet sich aus, wenn keine Bewegungen mehr erkannt werden und die Verzögerungszeit zum Ausschalten überschritten ist, und der Melder wechselt zurück in den zuletzt eingestellten Modus. Befindet sich das Gerät im Modus Manuell Ein, kann durch erneutes Drücken auf den Drucktaster in den Modus Manuell Aus gewechselt werden.

#### 4.2.2 Umgebungslicht

Die Verzögerungszeit, mit dem der Melder den Verbraucher ein- bzw. ausschaltet, kann abhängig von der Umgebungshelligkeit unterschiedlich eingestellt werden, um ein unnötiges Schalten aufgrund rascher Änderungen der Umgebungshelligkeit zu vermeiden: Ist das Umgebungslicht dunkler als der eingestellte Luxwert, schaltet sich die Beleuchtung nach 10 s automatisch ein. (LED leuchtet als Hinweis 10 s lang) Umgebungslicht ändert sich von dunkel zu hell: Ist das Umgebungslicht dauerhaft heller als der Luxwert zum Ausschalten, reagiert die Beleuchtung abhängig von der Einstellung des Zeitwerts nach 5 min unterschiedlich. Zeitwert  $\geq 5$  min: Licht wird automatisch nach 5 min ausgeschaltet. Zeitwert  $< 5$  min: Licht wird automatisch nach 5 min ausgeschaltet, wenn die eingestellte Zeit erreicht wird und während der 5 min keine Bewegungen erkannt wurden. Falls jedoch während der 5 min eine Bewegung erkannt wird, wird die Zeitkontrolle wieder auf 5 min zurückgesetzt.

### 4.3 Verkabelung

#### ⚠️ ⚠️ GEFAHR

#### GEFAHR DURCH STROMSTOSS

- An den Anschlussklemmen liegt gefährliche Spannung vor.
- Um Verletzungen zu verhindern, vor der Installation die Stromversorgung abschalten und gegen unbeabsichtigtes Wiedereinschalten sichern.
- Es muss ein Leistungsschutzschalter (250 V AC, 10 A) vom Typ C gemäß EN60898-1 installiert werden.

**Das Nichtbefolgen dieser Anweisungen kann den Tod oder schwere Verletzungen zur Folge haben.**

#### 4.3.1 CCT551023 für Standardanwendung (s. Abb. 5)

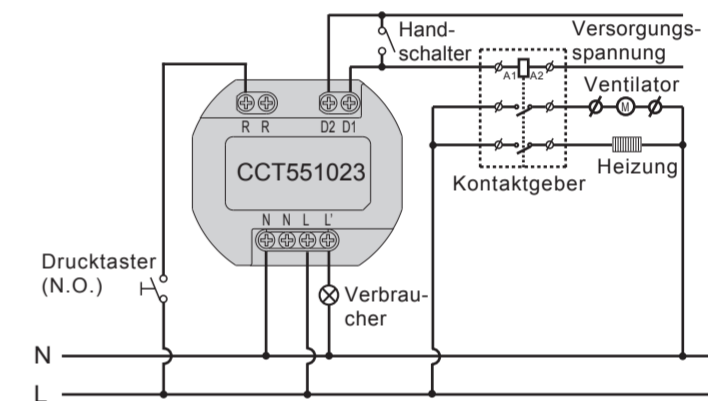


Abb. 5

#### 4.3.2 CCT551023 steuert den Treppenhaus-Zeitschalter (Zeit 1 sollte auf $\sqrt{\text{L}}$ eingestellt sein) (s. Abb. 6)

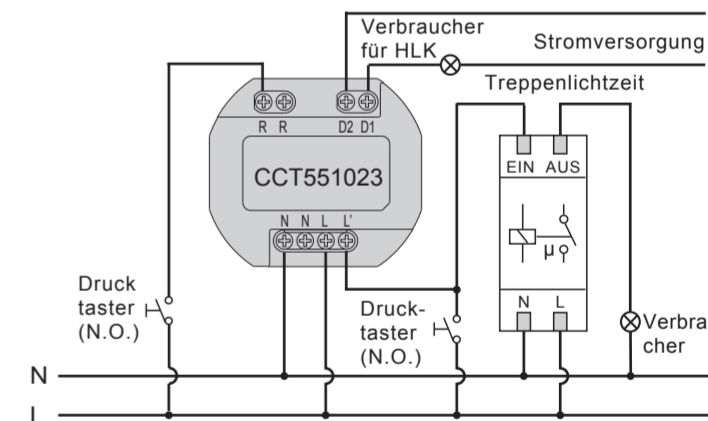


Abb. 6

### 4.4 Installationsvorschrift

#### 4.4.1 Unterputzmontage mit EN-Abzweigdose

- 4.4.1.1 Nehmen Sie die Zierblende vom Bewegungsmelder ab. Lösen Sie das Bewegungsmelder-Oberteil vom Anschlusskasten, indem Sie die vier nicht fallenden Schrauben herausdrehen (s. Abb. 7).

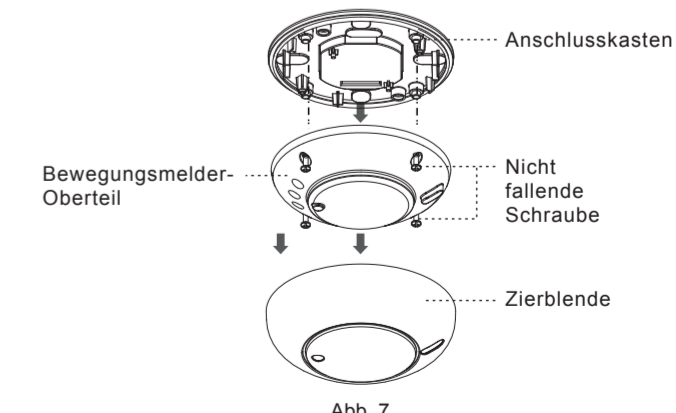


Abb. 7

4.4.1.2 Ziehen Sie die Stromkabel aus der EN-Abzweigdose und trennen Sie zur Verkabelung 6 - 8 mm der Kabelummantelung ab (s. Abb. 8).

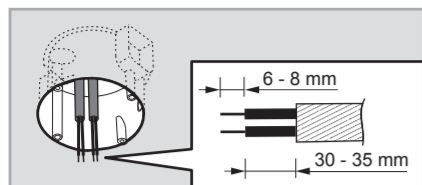


Abb. 8

4.4.1.3 Befestigen Sie den Anschlusskasten mit 2 Schrauben an der EN-Abzweigdose (s. Abb. 9).

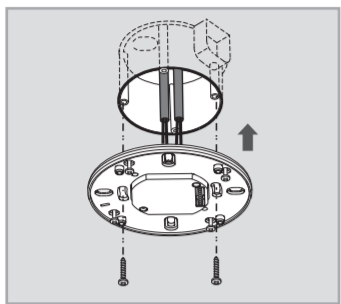


Abb. 9

4.4.1.4 Befestigen Sie das Bewegungsmelder-Oberteil auf dem Anschlusskasten, indem Sie die vier nicht fallenden Schrauben in die entsprechenden Schraublöcher einsetzen und anschließend die Zierblende aufsetzen (s. Abb. 7).

4.4.1.5 Legen Sie die Netzspannung an.

4.4.2 Unterputzmontage mit Anschluss-Schutzkappe

4.4.2.1 Um den Bewegungsmelder zu montieren, bohren Sie ein Loch von 65 mm Durchmesser in die Deckenplatte und führen Sie das Stromkabel nach außen. Trennen Sie zur Verkabelung 6 - 8 mm der Kabelummantelung ab (s. Abb. 10).

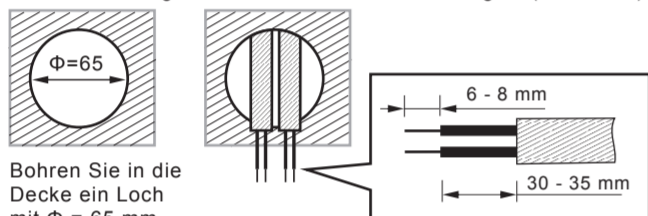


Abb. 10

4.4.2.2 Durchstoßen Sie die Gummidichtung der Anschluss-Schutzkappe mit einem Schraubendreher und stecken Sie anschließend die Kabel hindurch (s. Abb. 11).

4.4.2.3 Führen Sie die Verkabelung gemäß Abb. 5 - Abb. 6 durch, und verschließen Sie die Anschluss-Schutzkappe fest.

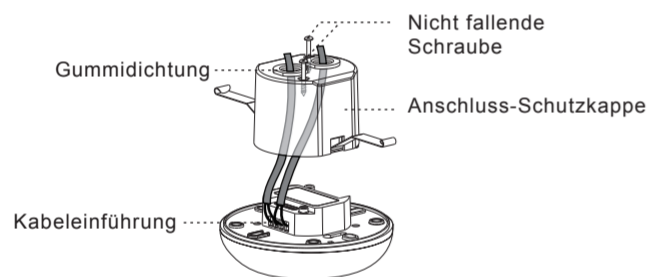


Abb. 11

4.4.2.4 Schließen Sie die beiden Klemmfedern am Bewegungsmelder an und stecken Sie den Melder in das in die Decke gebohrte Loch (s. Abb. 12).

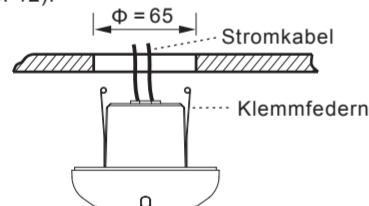


Abb. 12

4.4.2.5 Legen Sie die Netzspannung an.

4.4.3 Aufputzmontage mit Abzweigdose

4.4.3.1 Für unterschiedliche Montagearten gibt es 4 Paare von vorgestanzen Kabeldurchführungslöchern mit verschiedenen Größen von 41 mm bis 85 mm (s. Abb. 13-A). Wählen Sie für den gewünschte Montageabstand auf beiden Seiten das gleiche Symbol aus (s. Abb. 13-B).

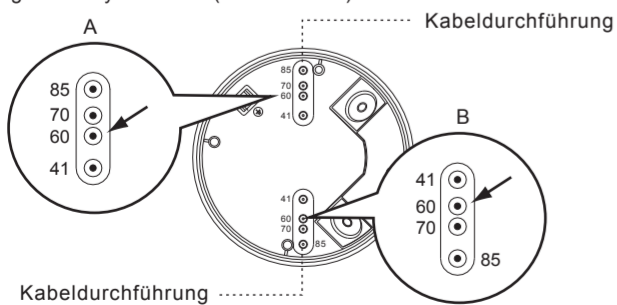


Abb. 13-A

| Nr. | A  | B  | Abstand zwischen A und B |
|-----|----|----|--------------------------|
| 1   | 41 | 41 | 41 mm                    |
| 2   | 60 | 60 | 60 mm                    |
| 3   | 70 | 70 | 70 mm                    |
| 4   | 85 | 85 | 85 mm                    |

Abb. 13-B

4.4.3.2 Um Stromkabel durch die Seite der Abzweigdose zu führen, verwenden Sie eine Zange, um die vorgestanzen Kabeldurchführungslöcher aufzubrechen. Stecken Sie anschließend die Kabel in die Abzweigdose, und führen Sie sie durch die Löcher. Trennen Sie zur Verkabelung 6 - 8 mm der Kabelummantelung ab (s. Abb. 14).

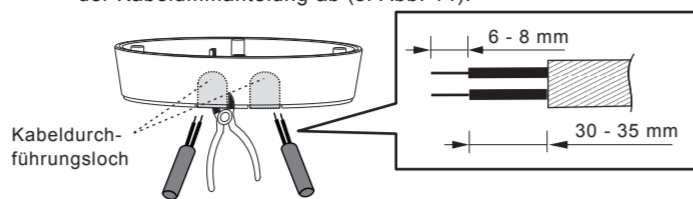


Abb. 14

4.4.3.3 Wählen Sie passende Kabeldurchführungslöcher, um die Abzweigdose auf der Oberfläche der Deckenplatte mit 2 Holzschrauben und Gumminterlegscheiben zu befestigen (s. Abb. 15).

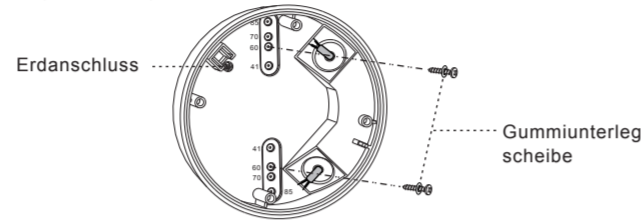


Abb. 15

4.4.3.4 Setzen Sie 4 nicht fallende Schrauben in die entsprechenden Schraublöcher der Bewegungsmelder-Montageplatte. Diese werden nicht herunterfallen, so dass eine mögliche Folgemontage erleichtert wird (s. Abb. 16).

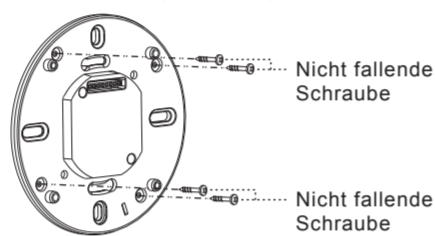


Abb. 16

4.4.3.5 Zur korrekten Verkabelung siehe Verdrahtungsplan (s. Abb. 5 - Abb. 6). In der Montageplatte befindet sich eine rechteckige Aussparung. Um die Montageplatte an der Abzweigdose zu befestigen, stecken Sie die Aussparung über den Überstand der Abzweigdose (s. Abb. 17) und befestigen Sie anschließend das Bewegungsmelder-Oberteil am Anschlusskasten (s. Abb. 9). Fixieren Sie das Teil mit den 4 nicht fallenden Schrauben.

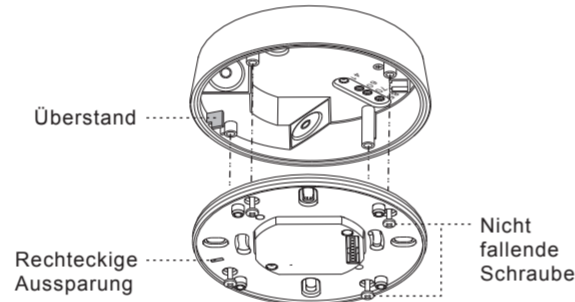


Abb. 17

4.4.3.6 Befestigen Sie die Zierblende des Bewegungsmelders und legen Sie die Netzspannung an.

## 5 BETRIEB UND FUNKTION

### 5.1 Einstellen von Empfindlichkeit, Lux und Zeitkontrolle

| Drehknopf (Auslieferungszustand) | Funktion  | Positionen   |
|----------------------------------|---|--|
|                                  | Empfindlichkeit des Melders einstellen          | Bereich: einstellbar von „-“ (ca. $\Phi$ 4 m) bis „+“ (ca. $\Phi$ 14 m).<br>Siehe Abschnitt 4.1.1.   |
|                                  | Lux zum Einschalten des Verbrauchers einstellen | Bereich : einstellbar von ca. 10 Lux bis „ $\infty$ “ ( $\infty$ )<br>☛ (Anlernen): Die tatsächliche Umgebungshelligkeit (10 Lux - 2000 Lux) kann erfasst werden.  |
|                                  | Aus-Verzögerungszeit für Beleuchtung            | Bereich: einstellbar von ca. 10 s bis 30 min<br>Test : Testmodus (Verbraucher und rote LED leuchten 2 s ein, 2 s aus)<br>⌚ : Schneller Impuls für Zeitschalter im Treppenhaus (Verbraucher ist 1 s ein, 9 s aus) |
|                                  | Aus-Verzögerungszeit für HLK einstellen         | Bereich: einstellbar von ca. 10 s bis 60 min   |

### 5.2 Anlernfunktion für Helligkeit mit Drehknopf

Lernmodus:

- 5.2.1 Stellen Sie den Knopf auf „☛“, wenn die Umgebungshelligkeit den gewünschten Wert hat (s. Abb. 18-A).
- 5.2.2 Wenn der Knopf ursprünglich auf „☛“ eingestellt ist, sollte er länger als 1 s auf eine andere Position gestellt werden, anschließend zurück auf „☛“ (s. Abb. 18-B).
- 5.2.3 Der Verbraucher ist ausgeschaltet. Die LED blinkt langsam, um den Wechsel in den Lernmodus anzuzeigen. Das Anlernen ist nach 25 Sekunden abgeschlossen. Zur Bestätigung sind anschließend die LED und der Verbraucher 5 s eingeschaltet, bzw. die LED blinkt 5 s lang (s. Abb. 18-C).
- 5.2.4 Nachdem das Anlernen abgeschlossen ist, wechselt der Bewegungsmelder zurück in den Modus AUTO; LED und Verbraucher sind ausgeschaltet.

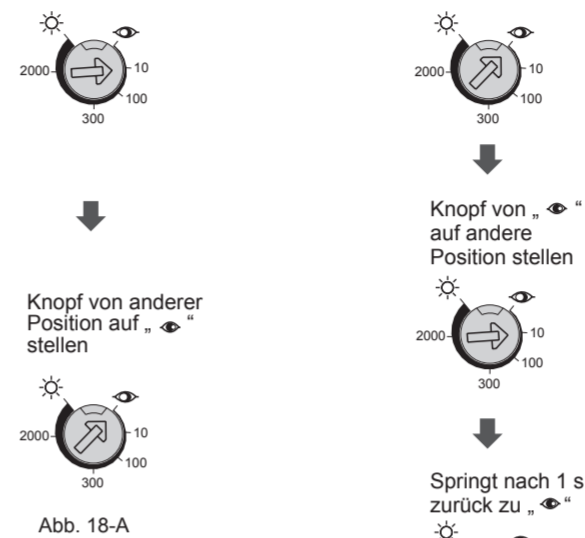
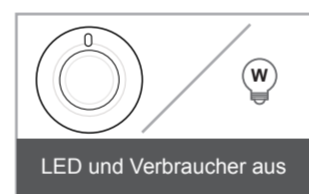
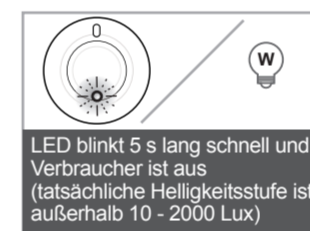
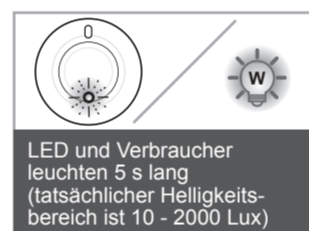
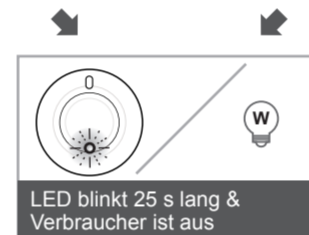


Abb. 18-A

Abb. 18-B



Bewegungsmelder wechselt in Modus AUTO

Abb. 18-C

### 5.3. Funktionstest (Lux ist ungültig)

Zweck des Funktionstests ist ein Durchgang des Erfassungsbereichs, ggf. mit Anpassung.

Testverfahren:

- 5.3.1 Tester muss sich im Erfassungsbereich befinden.
- 5.3.2 Strom einschalten.
- 5.3.3 Der Bewegungsmelder startet (Dauer ca. 30 s), dabei sind Verbraucher und LED eingeschaltet. Nach der Aufwärmphase schalten sie sich aus.
- 5.3.4 Gehen Sie von außen her durch den Erfassungsbereich bzw. zum Melder hin, bis LED und Verbraucher sich für 2 s einschalten (s. Abb. 19).
- 5.3.5 Stellen Sie den gewünschten Erfassungsbereich am Drehknopf ein.

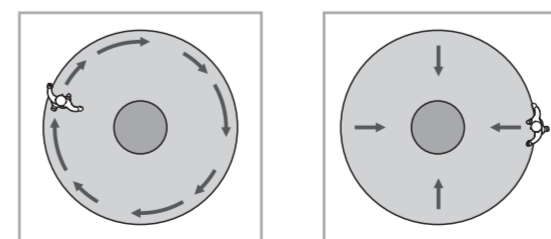


Abb. 19

## 6 FEHLERBEHEBUNG

Wenn der Bewegungsmelder nicht korrekt funktioniert, prüfen Sie die in der folgenden Tabelle angegebenen möglichen Probleme und Lösungsvorschläge.

| Problem                             | Mögliche Ursache  | Lösungsvorschlag   |
|-------------------------------------|---|--|
| LED leuchtet nicht                  | 1. Keine Stromversorgung<br>2. Falsche Verdrahtung              | 1. Stromversorgung einschalten.<br>2. Verbraucher entsprechend Verdrahtungsplan anschließen (s. Abb. 5 - Abb. 6).  |
| Beleuchtung schaltet sich nicht ein | 1. Falsche Verdrahtung<br>2. Funktionsstörung beim Verbraucher  | 1. Verbraucher entsprechend Verdrahtungsplan anschließen (s. Abb. 5 - Abb. 6).<br>2. Defekten Verbraucher ersetzen   |
| Beleuchtung schaltet sich nicht aus | 1. Fehlalarm des Bewegungsmelders<br>2. Falsche Verdrahtung     | 1. Nicht im Erfassungsbereich aufhalten, um Aktivierung des Melders zu Testzwecken zu vermeiden.<br>2. Verbraucher entsprechend Verdrahtungsplan anschließen (s. Abb. 5 - Abb. 6). |
| Fehlalarm ausgelöst                 | 1. Reflexion durch Metall<br>2. Vibration der Montageoberfläche | 1. Prüfen, ob der Melder auf metallische Materialien ausgerichtet ist<br>2. Prüfen, ob der Melder auf einer vibrierenden Oberfläche befestigt ist                                  |

## 7 OPTIONALES ZUBEHÖR

7.1 Wir empfehlen den Erwerb der zugehörigen IR-Fernbedienung (Art.-Nr. CCT556023), die eine einfache und sichere Bedienung des Bewegungsmelders ermöglicht.

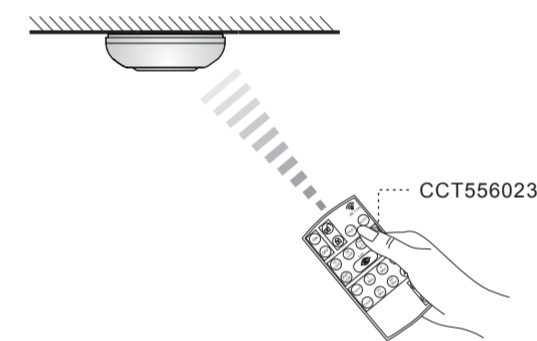


Abb. 22

Schneider Electric Industries SAS

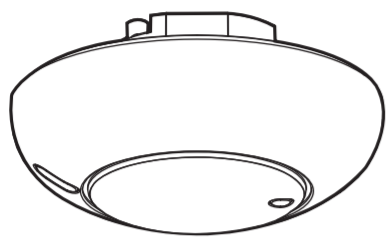
Wenden Sie sich bei technischen Fragen an das Customer Care Centre in Ihrem Land.  
schneider-electric.com/contact

## GEBRUIKERSHANDLEIDING

**ARGUS-aanwezigheidsdetector**  
 hoge frequentie voor armatuur voor hoog plafond -  
 2-kanaals

 Art. nr.  
 CCT551023

# ARGUS



## INSTRUCTIEHANDLEIDING

### TECHNISCHE GEGEVENS

|   |   |                             |
|---|---|-----------------------------|
| Nominale spanning   | 220 V - 240 V~ 50/60 Hz   |                             |
| Vermogen  | Last I (L') voor verlichting: $\mu$   |                             |
|   | Gloeilamp:  | Max. 2000 W                 |
|   | Hoogspanningshalogeenlamp:  | Max. 1000 W                 |
|   | Laagspanningshalogeenlamp:<br>Fluorescentielamp:  | Max. 1000 VA<br>Max. 900 VA |
|   | Ledlamp:  | Max. 100 W                  |
| Spaarlamp (CLF):  | Max. 100 W  |                             |
| Last II (D1-D2) voor HVAC (Lux is ongeldig):<br>Nominaal vermogen<br>van de relais: | Max. 5A ( $\cos\phi = 1$ ),<br>250 V AC   |                             |
|   | Motorvermogen:  | Max. 100 W                  |
|   |   |                             |
| Frequentie  | 5,8 GHz   |                             |
| Detectiehoek  | 360°  |                             |
| Detectiebereik  | Instelbaar tot $\Phi$ 14 m (H = 2,5 - 5 m)  |                             |
|   | Instelbaar tot $\Phi$ 10 m (H = 5,5 - 10 m)   |                             |
| Tijdsaanpassing<br>automatisch uit  | Tijd 1 (voor verlichting): Instelbaar vanaf ong.<br>10 sec tot 30 min, Test & $\sqrt{1s}$ |                             |
|   | Tijd 2 (voor HVAC): Instelbaar vanaf ong. 10 sec<br>tot 60 min                            |                             |
| Aanpassing<br>luxwaarde   | Aanpasbaar van ong. 10 lux tot $\infty$ en  |                             |
|   | " $\infty$ " (leerbereik: 10 Lux - 2000 Lux)  |                             |
| Milieubes-<br>cherming  | Klasse II   |                             |
|   | IP40 (Inbouwmontage met voedingsdooskap<br>volgens Europese norm)                         |                             |
|   | IP52 (oppervlakmontage met aansluitdoos)  |                             |

### Veiligheidswaarschuwing

|  |
|--|
| <b>⚠ ⚠ GEVAAR</b>  |
| <b>GEVAAR VAN ELEKTRISCHE SCHOK, EXPLOESIE OF VLAMBOOG</b>   |
| Veilige elektrische installatie mag alleen door geschoolde professionals worden uitgevoerd. Geschoolde professionals moeten bewijs leveren van grondige kennis op de volgende gebieden:  |
| <ul style="list-style-type: none"> <li>Aansluiten op elektriciteitsnetwerken</li> <li>Aansluiten van meerdere elektrische apparaten</li> <li>Leggen van elektrische leidingen</li> <li>Veiligheidsnormen, lokale regelgeving voor bedrading</li> <li>Koppel het ingangscircuit los en voorzie het van een label voordat u zich toegang tot de draadaansluitingen verschaft.</li> </ul> |
| <b>Niet-opvolgen van deze instructies kan leiden tot ernstig tot dodelijk letsel.</b>  |

## 1 INHOUD VERPAKKING

|                |              |  |                                |
|----------------|--------------|--|--------------------------------|
| <b>Patroon</b> |              |  |                                |
| <b>Item</b>    | Detector     | Schroef $\Phi$ 3 x 16 mm               | Handmatig                      |
| <b>Aantal</b>  | 1            | 2                                      | 1                              |
| <b>Patroon</b> |              |  |                                |
| <b>Item</b>    | Aansluitdoos | Niet-vallende schroef $\Phi$ 3 x 15 mm | Houtschroef $\Phi$ 4 x 25,4 mm |
| <b>Aantal</b>  | 1            | 4                                      | 2                              |
| <b>Item</b>    |              |  | Elektricit-eitskastkap         |
| <b>Aantal</b>  |              |  | 1                              |

### ● Optionele accessoires

|                |                                   |
|----------------|-----------------------------------|
| <b>Patroon</b> |                                   |
| <b>Item</b>    | IR-afstandsbediening<br>CCT556023 |
| <b>Aantal</b>  | 1                                 |

## 2 PRODUCTBESCHRIJVING

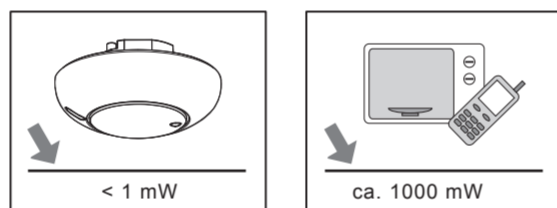
### 2.1 Kenmerken

- Kan tot een hoogte van 10 m worden gemonteerd en is ideaal voor gebouwen met een hoog plafond, zoals magazijnen, fitnessruimten enz.
- Zeer gevoelig om de geringste bewegingen te detecteren.
- Voor bewegingen naar de detector toe als van de detector af is de gevoeligheid even hoog.
- Krachtig circuitontwerp om alle soorten lampen te regelen.
- Een geïntegreerde lichtdetectiesensor zorgt ervoor dat het gewenste lichtniveau automatisch op het juiste moment wordt ingesteld voor optimale energiebesparingen en minder hoge energiekosten.
- Verschiede montagewijzen, inclusief inbouw in plafond met voedingsdoos met veerklemmen rechtstreeks of in combinatie met de aansluitdoos conform Europese norm en montage op het plafond met de aansluitdoos.
- Uitgezonderd de luxwaarden, kan het omgevingslichtniveau worden ingelezen door middel van IR of knop als drempel voor in-/uitschakelen van de belastingen voor flexibeler toepassing.
- Een extra functie voor handmatige in-/uitschakelen van de geregelde last is mogelijk door aansluiting op een drukschakelaar.
- IR-afstandsbediening is optioneel leverbaar voor eenvoudige en snelle instellingen

### 2.2 Kenmerken van de hogefrequentie-aanwezigheidsdetector

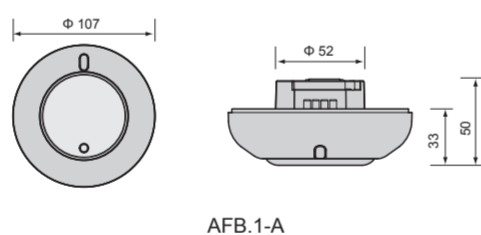
- 2.2.1 De hogefrequentiesensor kan door niet-metalen materialen zoals houten planken, baksteen, glas enz. dringen maar niet door water en metaal.
- 2.2.2 De hogefrequentie-aanwezigheidsdetector is zeer betrouwbaar en het detectiebereik wordt minder beïnvloed door temperatuur, luchtstroming, wind enz.
- 2.2.3 Vochtigheid, trilling en registratie van bewegende objecten kan de prestatie van de hogefrequentiedetector verminderen.
- 2.2.4 De detector is gevoeliger voor bewegingen van verschillende snelheden, wat leidt tot een groter detectiebereik, en is minder gevoelig voor bewegingen van dezelfde snelheid, waardoor het detectiebereik kan worden verminderd.
- 2.2.5 De detector kan makkelijk onterecht worden geactiveerd vanwege het sterke doordringingsvermogen van de detector van niet-metalen materialen en hoge gevoeligheid. Het moet voorzichtiger zijn bij het kiezen van de locatie van de detector.

De hogefrequentie-uitgang van de radarmodule is <1mW; ongeveer slechts 0,1 % van het zendvermogen van een mobiele telefoon of het vermogen van een magnetron.



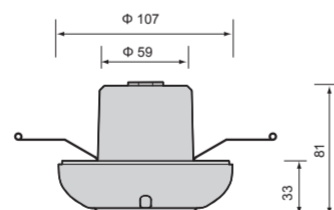
## 3 DIMENSIE

- $\Phi$  107 x 50 mm



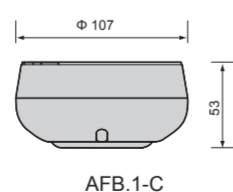
AFB.1-A

- Detector met elektriciteitsdooskap (optioneel)



AFB.1-B

- Detector met aansluitdoos (optioneel)



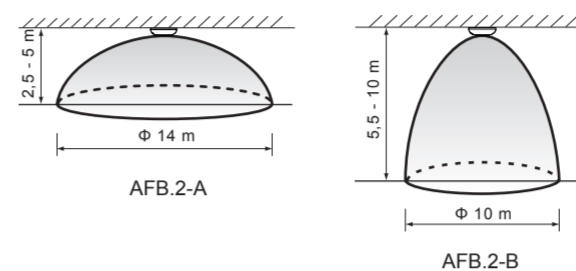
AFB.1-C

## 4 INSTALLATIE EN BEDRADING

### 4.1 Kies een geschikte locatie

#### 4.1.1 Detectiebereik

| Installatie-hoogte | Detectiebereik           |                          |
|--------------------|--------------------------|--------------------------|
|                    | Meterknop instelling "+" | Meterknop instelling "-" |
| H = 2,5 - 3,5 m    | $\Phi$ 14 m              | $\Phi$ 2 m               |
| H = 4 - 5 m        | $\Phi$ 14 m              | /                        |
| H = 5,5 - 10 m     | $\Phi$ 10 m              | /                        |



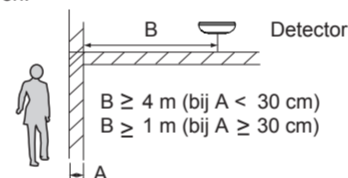
#### 4.1.2 Handige tips voor installatie

Zie onderstaande tabel voor het doordringingsvermogen van de detector voor diverse materialen:

| Materiaal      | Doordringingsvermogen  | Verzwakking |
|----------------|--|-------------|
| Pvc en plastic | Ja   | 5 % - 10 %  |
| Hout           | Ja   | 10 % - 20 % |
| Glas           | Ja, de verschillende glasdikten kunnen zorgen voor een verschillende verzwakking | 15 % - 30 % |
|                | Ja, de baksteenmuur met dikte < 30 cm  | 60 % - 70 % |
| Baksteen       | Nee, de baksteenmuur met dikte > 30 cm   | 100 %       |
|                | Gewapend beton   | Nee         |
| Metaal         | Nee  | 100 %       |

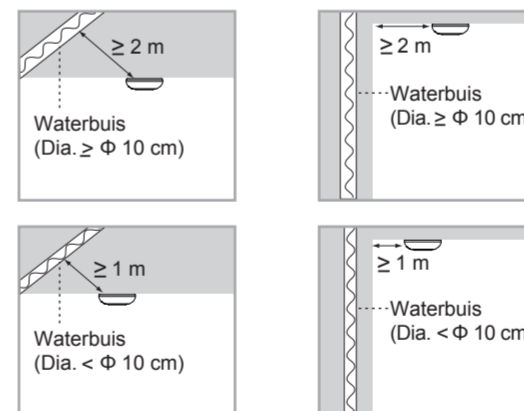
#### 4.1.3 Montage van detector aan plafond

Houd de detector ten minste 4 m (B) uit de buurt van een houten, glazen wand of baksteenmuur waarvan de dikte minder dan 30 cm bedraagt (A) of 1 m (B) uit de buurt van wanden met een dikte van meer dan 30 cm (A). Ook kunnen gebruikers met de meterknop de gevoeligheid en het bereik verminderen om valse meldingen te voorkomen als mensen van buiten door de muur passeren.



AFB.3

- 4.1.4 De waterstroom inde waterbuis zou de HF-detector moeten kunnen activeren. Het is raadzaam om de detector uit de buurt te houden van de waterbuis volgens de richtlijnen hieronder om hinderactivatie te voorkomen.



AFB.4

### 4.2 Functie

#### 4.2.1 De functie van de R-aansluitklem

- 4.2.1.1 Aansluitklem van R en drukknoop (N.O.) kan reeksgewijs worden aangesloten om handmatige in-/uitschakeling van last in te schakelen. (situatie 1: aan → uit; situatie 2: uit → aan). Bij indrukken van de drukknoop ( $\leq 1$  sec):

Let op deze functie is ongeldig als de verlichting (detector) via de IR-afstandsbediening is ingesteld op 8 uur aan en 8 uur uit.

#### Situatie 1: Handmatig uitschakelen (lux-instellingen zijn ongeldig):

Als de verlichting onder aan-modus is, kan deze handmatig worden uitgeschakeld.

Als de verlichting handmatig wordt uitgeschakeld door ( $\leq 1$  sec) op de drukknoop te drukken (handmatig uit-modus activeren), blijft deze uitgeschakeld ook als de detector wordt geactiveerd.

Als de ruimte voor langere tijd leeg is (vertragingstijd uitschakeling verstreken) en de handmatig uit-status (= handmatig uit-modus) wordt gedeactiveerd, keert de detector terug in de laatst ingestelde modus alvorens in de handmatig uit-modus te schakelen.

Als het apparaat in de handmatig uit-modus staat, wordt de handmatig aan-modus geactiveerd na twee keer drukken op de drukknoop.

#### Situatie 2: Handmatig inschakelen (lux-instellingen zijn ongeldig):

Als de verlichting onder uit-modus is, kan deze handmatig worden ingeschakeld.

Als de verlichting handmatig wordt ingeschakeld door ( $\leq 1$  sec) op de drukknoop te drukken (handmatig aan-modus activeren), blijft deze ingeschakeld als de detector continu wordt geactiveerd en schakelt deze uit als er geen beweging wordt gedetecteerd en de vertragingstijd voor uitschakeling is verstreken en de detector keert terug in de laatst ingestelde modus voordat deze in de handmatig aan-modus schakelt.

Als het apparaat in de handmatig aan-modus staat, wordt de handmatig uit-modus geactiveerd na twee keer drukken op de drukknoop.

#### 4.2.2 Waardering omgevingslicht

Op basis van het veranderbare omgevingslichtniveau kan de detector de vertragingstijd van de last voor in- en uitschakeling uitstellen om te voorkomen dat de last onnodig schakelt als gevolg van een snelle verandering van het omgevingslicht: het omgevingslichtniveau verandert van helder tot donker. Als het omgevingslichtniveau 10 sec. lang lager blijft dan de vooraf ingestelde luxwaarde, wordt het licht na 10 sec. automatisch ingeschakeld. (Led brandt 10 sec voor indicatie)

Omgevingslichtniveau wijzigt van donker naar helder: Als het omgevingslichtniveau continu de luxwaarde voor uitschakeling 5 min lang overschrijdt, zijn er verschillende reacties op basis van de instelwaarde voor de tijd. Tijdsinstelling  $\geq 5$  min, het licht zal na 5 min. automatisch uitschakelen.

Tijdsinstelling < 5 min, het licht schakelt automatisch uit als de ingestelde tijd wordt bereikt als er gedurende 5 min. geen beweging wordt gedetecteerd. Maar als er binnen 5 min beweging wordt gedetecteerd, wordt de tijd bij detectie teruggezet en tot 5 min later, wordt het licht uitgeschakeld.

### 4.3 Bedrading

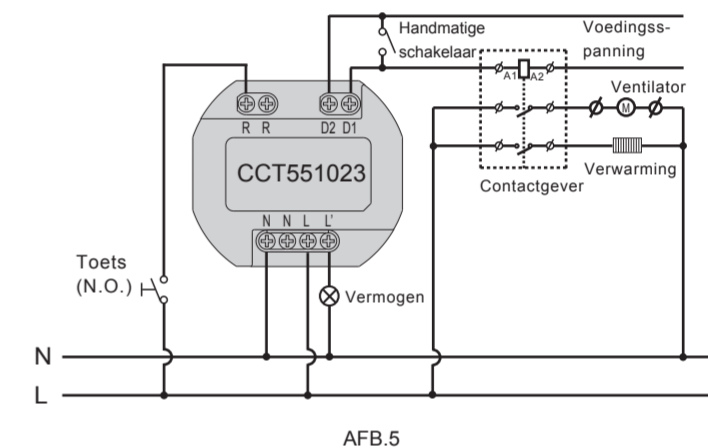
#### ⚠ ⚠ GEVAAR

#### GEVAAR VAN ELEKTRISCHE SCHOK

- Er is bij de draadaansluitklemmen gevaarlijke spanning aanwezig.
- Koppel voor installatie de stroomkring los en voorzie deze van een label om letsel te voorkomen.
- Er moet een stroomonderbreker (250 V AC, 10 A) type C conform EN60898-1 worden geïnstalleerd.

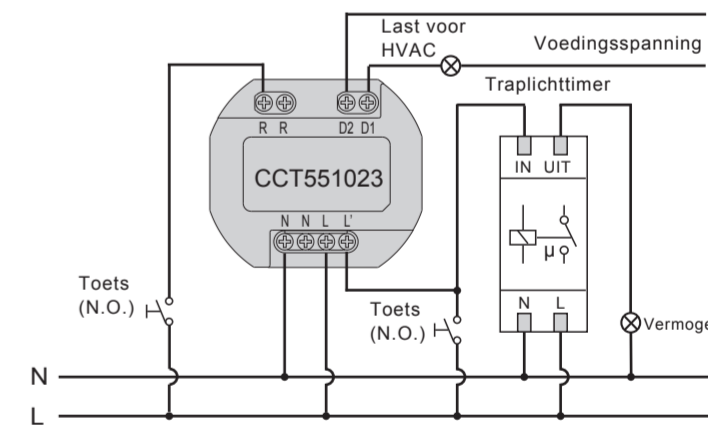
**Niet opvolgen van deze instructies kan leiden tot ernstig tot dodelijk letsel.**

#### 4.3.1 CCT551023 voor standaardtoepassing (zie. AFB.5)



AFB.5

#### 4.3.2 CCT551023 regelt timerschakelaar trap (Time1 moet worden ingesteld op $\sqrt{1s}$ ) (zie. AFB.6)

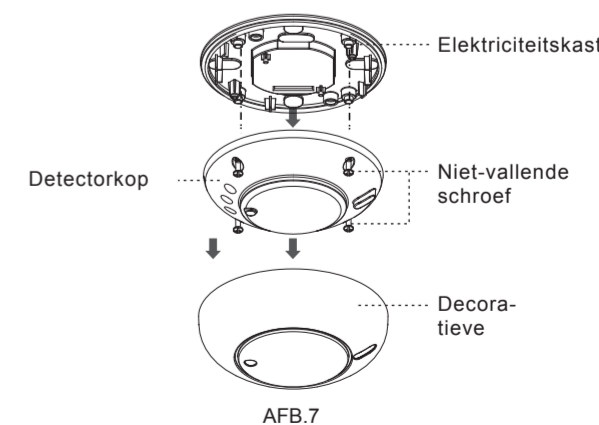


AFB.6

### 4.4 Installatieprocedure

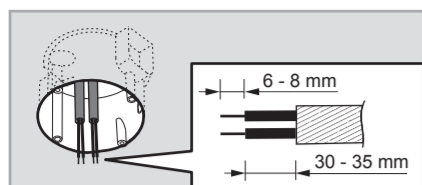
#### 4.4.1 ingebouwd met aansluitdoos conform Europese norm

- 4.4.1.1 Verwijder het decoratieve frame van de detector. Haal vervolgens de detectorkop van de voedingsdoos door de 4 niet-vallende schroeven los te schroeven (zie AFB.7).



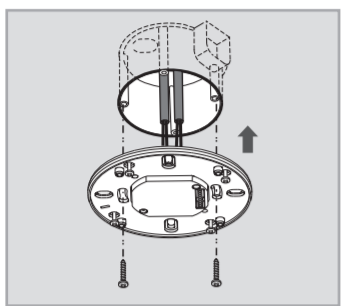
AFB.7

4.4.1.2 Trek de netsnoeren uit de aansluitdoos conform Europese norm en verwijder 6 - 8 mm van de snoermantel om de draden te kunnen aansluiten (zie AFB.8).



AFB.8

4.4.1.3 Bevestig de voedingsdoos in de aansluitdoos conform Europese norm met 2 schroeven (zie AFB.9).



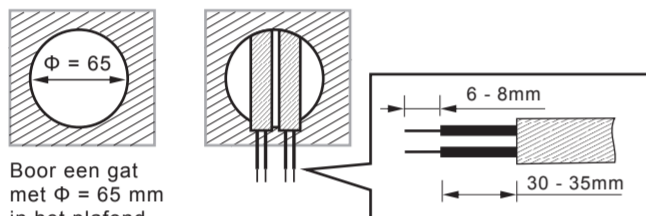
AFB.9

4.4.1.4 Bevestig de detectorkop op de voedingsdoos door de vier bijbehorende niet-vallende schroeven in de overeenkomstige schroefgaten en plaats vervolgens het decoratieve frame (zie AFB.7).

4.4.1.5 Schakel de voeding weer in.

4.4.2 Inbouwmontage met voedingsdooskap

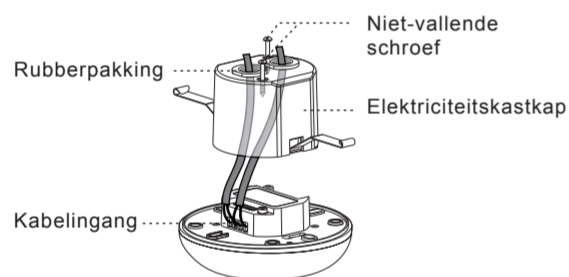
4.4.2.1 Om de detector te installeren boort u een gat met een diameter van 65 mm in een plafondtegels waarbij de stroomkabel buiten blijft hangen. Verwijder 6 - 8 mm van de kabelmantel om de draden te kunnen aansluiten (zie AFB.10).



AFB.10

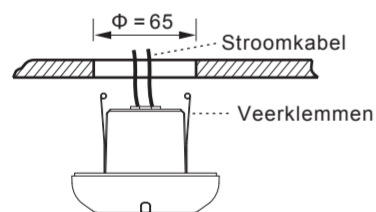
4.4.2.2 Breek met een schroevendraaier de rubberpakking op de voedingsdooskap en voer vervolgens de kabels erdoorheen (zie AFB.11).

4.4.2.3 Zie AFB.5 - AFB.6 voor correcte bedrading en schroef de voedingsdooskap vervolgens vast.



AFB.11

4.4.2.4 Sluit de twee veerklemmen van de detector en breng de detector in het boorgat in het plafond in (zie AFB.12).

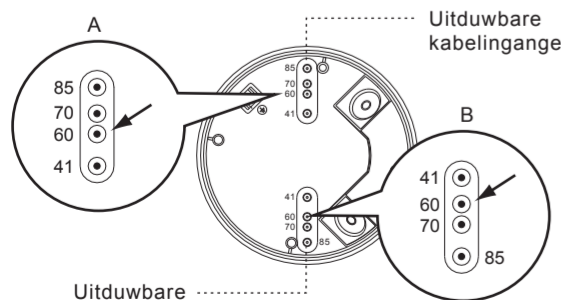


AFB.12

4.4.2.5 Schakel de voeding weer in.

4.4.3 Oppervlakmontage met aansluitdoos

4.4.3.1 Er zijn 4 paar uitduwbare locaties op verschillende afstanden van 41 mm tot 85 mm op de aansluitdoos die kunnen worden geselecteerd voor diverse montage-toepassingen (zie AFB.13-A). Selecteer twee identieke figuren aan beide uiteinden voor de overeenkomende afstand voor bevestiging (zie AFB.13-B).

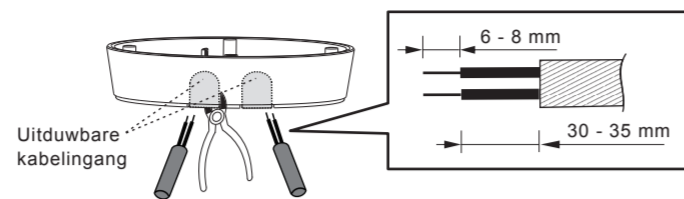


AFB.13-A

| NR. | A  | B  | De afstand tussen A en B |
|-----|----|----|--------------------------|
| 1   | 41 | 41 | 41 mm                    |
| 2   | 60 | 60 | 60 mm                    |
| 3   | 70 | 70 | 70 mm                    |
| 4   | 85 | 85 | 85 mm                    |

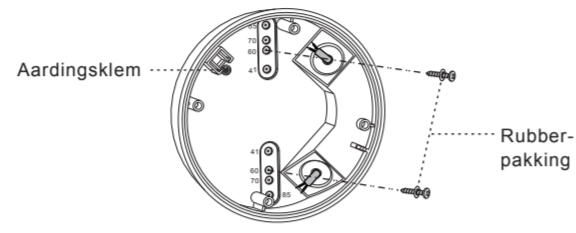
AFB.13-B

4.4.3.2 Om de voedingskabel door de zijkant van de aansluitdoos te voeren moet u de knijptang gebruiken om uitduwbare locaties voor de kabelgang aan de zijkant van de aansluitdoos te breken. Vervolgens steekt u de kabels in en door de aansluitdoos. Verwijder 6 - 8 mm van de kabelmantel om de draden te kunnen aansluiten (zie AFB.14).



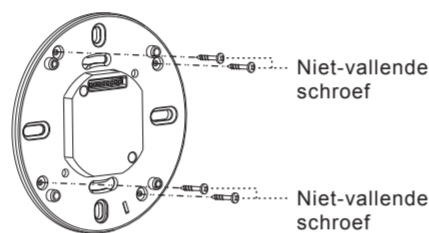
AFB.14

4.4.3.3 Kies geschikte uitduwbare locaties om de aansluitdoos vast te zetten op de plafondtegels met 2 houtschroeven met rubberpakking (zie AFB.15).



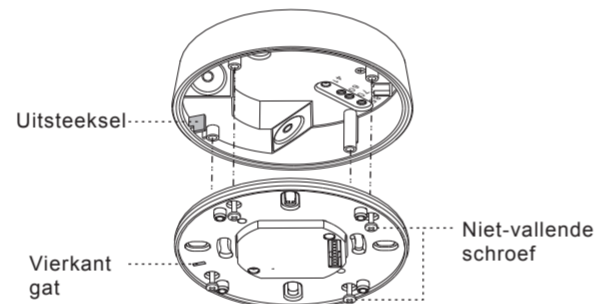
AFB.15

4.4.3.4 Breng 4 niet-vallende schroeven in de overeenkomstige schroefgaten op de bevestigingsplaat van de detector. Deze 4 schroeven kunnen niet omlaag vallen waardoor de daaropvolgende installaties eenvoudiger verlopen (zie AFB.16).



AFB.16

4.4.3.5 Raadpleeg de bedradingsschema's voor correcte draadaansluitingen (zie AFB.5 - AFB.6). In de bevestigingsplaat zit een vierkant gat. Als u de bevestigingsplaat in de aansluitdoos plaatst, moet de spanning op het uitsteeksel van de aansluitdoos worden gemonteerd (zie AFB.17), vervolgens moet de detectorkop op de voedingsdoos worden bevestigd (zie AFB.9) en deze samen moeten worden gemonteerd met de 4 aangebrachte niet-vallende schroeven.



AFB.17

4.4.3.6 Breng het decoratieve frame van de detector aan en schakel de voeding weer in.

## 5 WERKING EN FUNCTIE

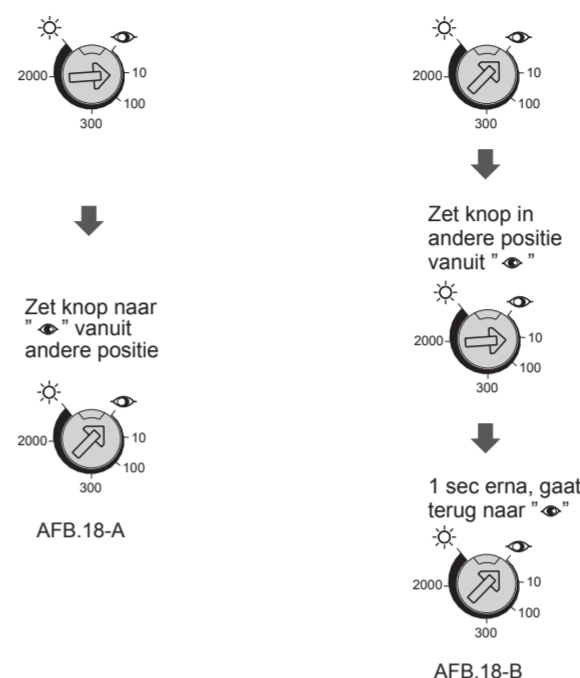
5.1. Instelling van meter, lux en tijdknoppen

| Knop (instelling ex-fabriek) | Functie      | Instelling knop                                      |
|------------------------------|--------------|--|
|                              | Meter        | Stel de gevoeligheid van de detector in              |
|                              | Lux          | Stel de lichtwaarde voor inschakeling last in        |
|                              | Tijd / Tijd1 | Tijd vertraging uit voor verlichting                 |
|                              | Tijd2        | Stel vertragingstijd voor uitschakeling voor HVAC in |

5.2 Lux-leerfunctie met knop

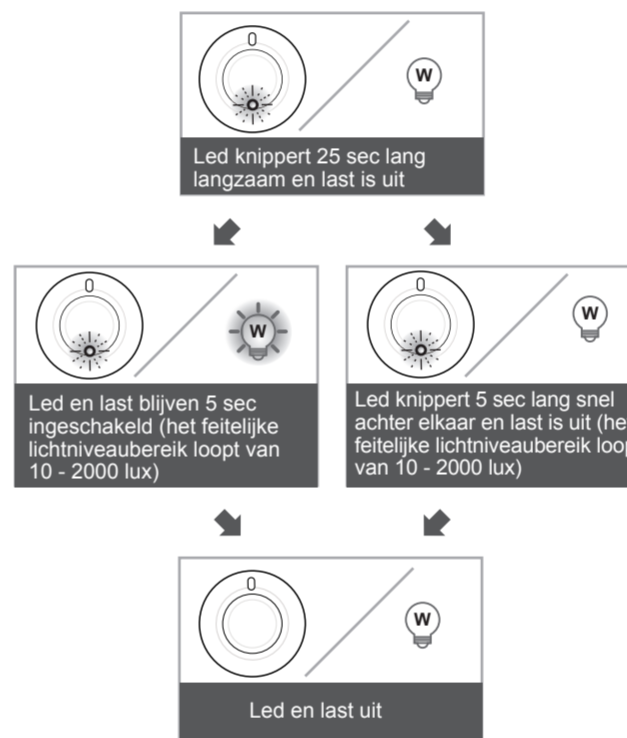
Leerprocedure:

- 5.2.1 Zet de knop op "☞" als het omgevingslichtniveau overeenkomt met de gewenste waarde (zie AFB.18-A).
- 5.2.2 Als de knop oorspronkelijk is ingesteld op "☞", moet die langer dan 1 sec. in een andere positie worden gezet, en gaat dan terug naar "☞" (zie AFB.18-B).
- 5.2.3 Dan is de last uitgeschakeld. Led begint langzaam te knipperen, wat erop duidt dat het apparaat in de leermodus schakelt. Leren wordt binnen 25 seconden voltooid. Daarna blijven de led en de last 5 sec branden of knippert de led 5 sec lang achter elkaar en de last is uit om aan te geven dat het leren is gelukt (zie AFB.18-C).
- 5.2.4 Na de leerprocedure keert de detector terug in AUTO-modus terwijl de led en de last uit zijn.



AFB.18-A

AFB.18-B



Detector schakelt naar AUTO-modus

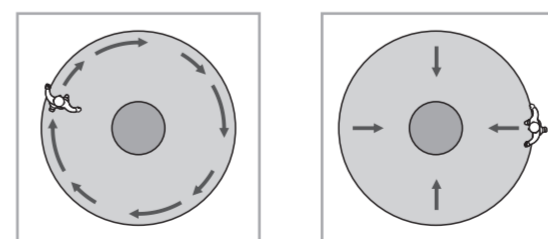
AFB.18-C

5.3. Looptest (lux is ongeldig)

Het doel van de looptest is om het detectiegebied te controleren en af te regelen.

Testprocedures:

- 5.3.1 Tester moet zich binnen het detectiegebied bevinden.
- 5.3.2 Schakel de voeding in.
- 5.3.3 Het duurt ongeveer 30 sec voordat de detector is opgewarmd waarbij de last en led aan blijven, en schakelen uit na de opwarmtijd.
- 5.3.4 Loop van buitenaf door of naar het detectiegebied totdat de led en de last 2 sec lang worden ingeschakeld (zie AFB.19).
- 5.3.5 Meterknop verstellen voor gewenst detectiegebied.



AFB.19

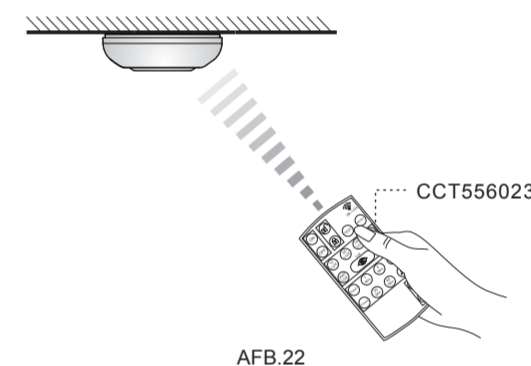
## 6 PROBLEEM OPLOSSEN

Als de detector abnormaal functioneert, kunt u in onderstaande tabel de voorgestelde oplossingen lezen. Hopelijk worden de problemen daarmee opgelost.

| Probleem                | Mogelijke oorzaak   | Voorgestelde oplossing   |
|-------------------------|---|--|
| Led gaat niet branden   | 1. Er is geen voeding.<br>2. Onjuiste bedrading.                          | 1. Schakel de voeding in.<br>2. Sluit de last aan op basis van de bedradingsschema's (zie AFB.5 - AFB.6).  |
| Lamp schakelt niet in   | 1. Onjuiste bedrading.<br>2. Niet correct werkende last.                  | 1. Sluit de last aan op basis van de bedradingsschema's (zie AFB.5 - AFB.6).<br>2. Vervang de uitgeschakelde last door een nieuwe.   |
| Lamp schakelt niet uit  | 1. Detector wordt geactiveerd door overlast.<br>2. Onjuiste bedrading.    | 1. Uit de buurt houden van detectiegebied om te voorkomen dat de detector tijdens de test wordt geactiveerd.<br>2. Sluit de last aan op basis van de bedradingsschema's (zie AFB.5 - AFB.6). |
| Door hinder geactiveerd | 1. Reflecterende metalen voorwerpen.<br>2. Trilling van montageoppervlak. | 1. Controleer of de detector is gericht op een reflecterend metaal voorwerp.<br>2. Controleer of de detector is gemonteerd op een trillend oppervlak.  |

## 7 OPTIONEEL ACCESSOIRE

7.1 Het is sterk aan te raden om de bijbehorende IR-afstandsbediening (art. nr. CCT556023) erbij aan te schaffen voor eenvoudig en veilig instellen van de detector.



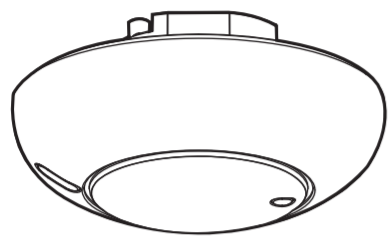
AFB.22

Schneider Electric Industrie SAS

Als u technische vragen hebt, neem dan contact op met de klantenservice in uw land.  
schneider-electric.com/contact



# ARGUS



## MANUAL DE INSTRUCCIONES

### CARACTERÍSTICAS TÉCNICAS

|                           |   |
|---------------------------|---|
| Tensión nominal           | 220 V - 240 V~ 50/60 Hz   |
| Cargar                    | Carga (L') para iluminación: $\mu$<br>Lámpara incandescente: Máx. 2000 W<br>Lámpara halógena de alta tensión: Máx. 1000 W<br>Lámpara halógena de baja tensión: Máx. 1000 VA<br>Lámpara fluorescente: Máx. 900 VA<br>Lámpara LED: Máx. 100 W<br>Lámpara de ahorro energético (CFL): Máx. 100 W<br>Carga II (D1-D2) para CA alta tensión (iluminancia no válida):<br>Potencia de relé: Máx. 5 A (cos $\phi$ = 1), 250 V CA<br>Carga del motor: Máx. 100 W |
| Frecuencia                | 5,8 GHz CC  |
| Ángulo de detección       | 360°  |
| Rango de detección        | Ajustable hasta $\Phi$ 14 m (A = 2,5 - 5m)<br>Ajustable hasta $\Phi$ 14 m (A = 5,5 - 10m)   |
| Ajuste hora off auto      | Hora 1 (para iluminación): Ajustable desde aprox. 10 s a 30 min, Prueba & $\int$ $\int$ Hora 2 (para CA alta tensión): Ajustable desde aprox. 10 s a 60 min   |
| Ajuste de iluminancia     | Ajustable desde aprox. 10 lx a $\infty$ y $\infty$ (margen de memorización: 10 lx - 2000 lx)  |
| Protección medioambiental | Clase II<br>IP40 (montaje a ras de la tapa de la caja de potencia y caja de empalmes de estándar europeo)<br>IP52 (montaje en superficie con caja de empalmes)  |

### Advertencia de seguridad

**⚠️ PELIGRO**  
**PELIGRO DE DESCARGA ELÉCTRICA, EXPLOSIÓN O ARCO ELÉCTRICO**

La instalación eléctrica segura debe ser realizada únicamente por profesionales experimentados. Los profesionales experimentados deben demostrar sus conocimientos en las siguientes áreas:

- Conexión a redes de instalación
- Conexión de varios dispositivos eléctricos
- Tendido de cables eléctricos
- Estándares de seguridad, normas y regulaciones locales para el cableado
- Interrupción del circuito de entrada y marcado antes de acceder a las conexiones de cableado.

**Un error durante el seguimiento de las presentes instrucciones puede derivar en lesiones graves e incluso mortales.**

## 1 CONTENIDO DEL PAQUETE

|          |          |                           |        |
|----------|----------|---------------------------|--------|
| Muestra  |          |                           |        |
| Elemento | Detector | Tornillo $\Phi$ 3 x 16 mm | Manual |
| Cantidad | 1        | 2                         | 1      |

|          |                  |  |                                       |
|----------|------------------|--|---------------------------------------|
| Muestra  |                  |  |                                       |
| Elemento | Caja de empalmes | Tornillo de retención $\Phi$ 3 x 15 mm | Tornillo de madera $\Phi$ 4 x 25,4 mm |
| Cantidad | 1                | 4                                      | 2                                     |
|          |                  |  | Tapa de la caja de potencia           |
|          |                  |  | 1                                     |

### ● Accesorios de compra opcional

|          |   |
|----------|---|
| Muestra  |   |
| Elemento | Controlador remoto por infrarrojos<br>CCT556023 |
| Cantidad | 1   |

## 2 DESCRIPCIÓN DEL PRODUCTO

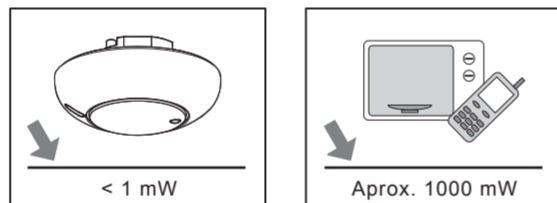
### 2.1 Características

- Puede montarse a una altura de hasta 10 m, ideal para edificios con el techo alto, como almacenes, gimnasios, etc.
- Elevada sensibilidad de detección del mínimo movimiento.
- La sensibilidad no depende de si el movimiento es captado de forma directa o indirecta por el detector.
- Diseño de circuito de potencia para controlar todo tipo de lámparas.
- Un sensor detector de la luz se integra para ajustar el nivel de luz deseado en el control de iluminación a la hora correcta de forma automática, con el fin de maximizar el ahorro de energía y reducir los costes de electricidad.
- Varios métodos de montaje, incluyendo el montaje directo a ras del techo con tapa de caja de potencia con pinzas de muelle o en combinación con la caja de empalmes de estándar europeo y montaje en la superficie del techo con la caja de empalmes.
- Para una aplicación más flexible, el nivel de luminosidad ambiental puede ajustarse como el umbral de conexión / desconexión de las cargas, tanto a través de los valores de iluminancia suministrados, como mediante infrarrojos o una perilla.
- Es posible una función adicional de conexión / desconexión manual de la carga controlada mediante la vinculación de un interruptor de pulsación.
- El control remoto por infrarrojos está disponible opcionalmente para realizar ajustes rápidos de forma sencilla

### 2.2 Características del detector de presencia de alta frecuencia

- 2.2.1 El sensor de alta frecuencia es capaz de penetrar materiales no metálicos como un panel de madera, paredes de ladrillo, vidrio, etc., pero no metales ni agua.
- 2.2.2 El detector de alta frecuencia es muy fiable y su rango de detección se ve menos influenciado por la temperatura, las corrientes de aire, el viento, etc.
- 2.2.3 La humedad, la vibración y la medición de objetos móviles puede reducir el rendimiento de un detector de alta frecuencia.
- 2.2.4 El detector es más sensible al movimiento a diferentes velocidades, lo cual permite la detección en un rango más amplio, y menos sensible a movimientos a la misma velocidad, lo cual podría reducir el rango de detección.
- 2.2.5 La activación errónea es muy probable debido a su fuerte capacidad de penetración en materiales no metálicos y a su elevada sensibilidad. Es necesario elegir la ubicación más adecuada del detector.

La salida de alta frecuencia del módulo de radar es < 1 mW; aproximadamente un 0,1 % de la potencia de transmisión de un teléfono móvil o la salida de un horno microondas.



## 3 DIMENSIÓN

- $\Phi$  107 x 50 mm

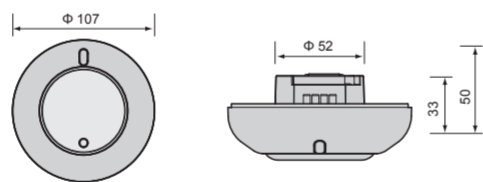


FIG. 1-A

- Detector con tapa de caja de potencia (compra opcional)

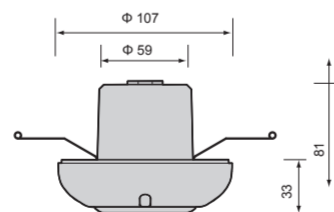


FIG. 1-B

- Detector con caja de empalmes (compra opcional)

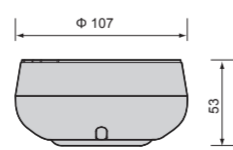


FIG. 1-C

## 4 INSTALACIÓN Y CABLEADO

### 4.1 Seleccione un lugar adecuado

#### 4.1.1 Cobertura de detección

| Altura de instalación | Rango de detección                   |                                      |
|-----------------------|--------------------------------------|--------------------------------------|
|                       | Ajuste de la perilla de medición "+" | Ajuste de la perilla de medición "-" |
| A = 2,5 - 3,5 m       | $\Phi$ 14 m                          | $\Phi$ 2 m                           |
| A = 4 - 5 m           | $\Phi$ 14 m                          | /                                    |
| A = 5,5 - 10 m        | $\Phi$ 10 m                          | /                                    |

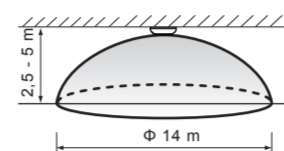


FIG. 2-A

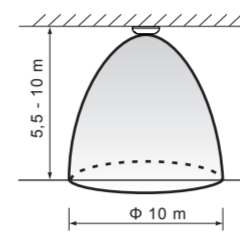


FIG. 2-B

#### 4.1.2 Consejos útiles para la instalación

La penetración del detector en diferentes materiales se recoge en la siguiente tabla:

| Material          | Penetración   | Atenuación  |
|-------------------|---|-------------|
| PVC & plástico    | Sí  | 5 % - 10 %  |
| Madera            | Sí  | 10 % - 20 % |
| Vidrio            | Sí, los diferentes grosores del vidrio pueden dar lugar a una atenuación distinta | 15 % - 30 % |
| Ladrillo          | Sí, una pared de ladrillo con un grosor inferior a 30 cm                          | 60 % - 70 % |
|                   | No, una pared de ladrillo con un grosor superior a 30 cm                          | 100 %       |
| Cemento reforzado | No  | 100 %       |
| Metal             | No  | 100 %       |

#### 4.1.3 Montaje del detector en el techo

Mantenga el detector al menos a 4 m (B) de la pared de madera, vidrio o madera cuyo grosor sea inferior a 30 cm (A) o a 1 m (B) de la pared cuyo grosor supere los 30 cm (A). Los usuarios también pueden ajustar la perilla de medición para reducir la sensibilidad y la cobertura, lo cual permite evitar la activación errónea cuando pasan personas por el otro lado de la pared.

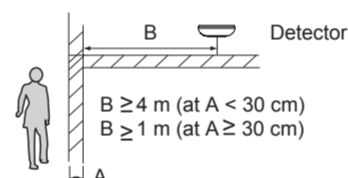


FIG. 3

- 4.1.4 El flujo de agua de la tubería puede activar el detector de alta frecuencia. Se recomienda mantener el detector alejado de la tubería de acuerdo con las siguientes pautas, con el fin de evitar una activación innecesaria.

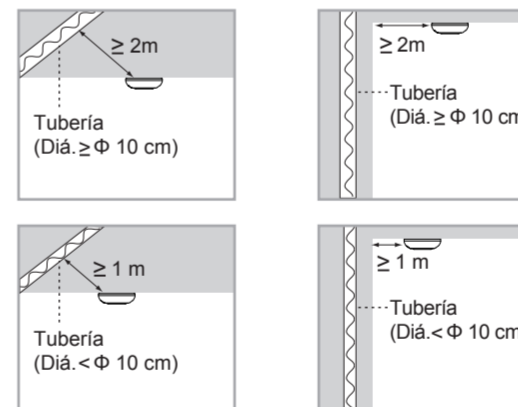


FIG. 4

### 4.2 Funcionamiento

#### 4.2.1 El funcionamiento del terminal R

- 4.2.1.1 El terminal de R y el pulsador (N.O.) pueden conectarse en serie para permitir el control on/off de la carga. (caso 1: on → off; caso 2: off → on). Activación del pulsador (≤ 1 s):

Tenga en cuenta que esta función no es válida cuando la iluminación (detector) se encuentra en las condiciones On 8 horas & Off 8 horas ajustadas por el control remoto por infrarrojos.

**Caso 1: Desconexión manual (ajustes de iluminancia no válidos):** Si la iluminación se encuentra en el modo on, es posible la desconexión manual. Si la iluminación se desconecta manualmente al accionar (≤ 1s) el pulsador (activación del modo off manual), mantiene el estado off incluso con el detector activado.

Si la habitación está libre durante un periodo más largo (tiempo de retardo de desconexión transcurrido), el estado off manual (= modo off manual) se desactiva y a continuación el detector regresa al último modo ajustado antes de iniciarse el modo off manual.

Si el dispositivo se encuentra en el modo off manual, un segundo accionamiento del pulsador activa el modo on manual.

**Caso 2: Conexión manual (ajustes de iluminancia no válidos):**

Si la iluminación se encuentra en el modo off, es posible la conexión manual. Si la iluminación se conecta manualmente al accionar (≤ 1s) el pulsador (activación del modo on manual), mantiene el estado on incluso con el detector activado de forma constante; se desconecta cuando no se registra movimiento y el tiempo de retardo de desconexión transcurre, regresando el detector al último modo ajustado antes de iniciarse el modo on manual. Si el dispositivo se encuentra en el modo on manual, un segundo accionamiento del pulsador activa el modo off manual.

#### 4.2.2 Estimación de la luz ambiental

En función de las variaciones del nivel de luz ambiental, el detector puede posponer el tiempo de retardo de carga de conexión y desconexión para evitar la conmutación innecesaria de la carga debido al cambio rápido de la luz ambiental: El nivel de luz ambiental cambia de claro a oscuro: Si el nivel de luz ambiental se mantiene durante 10 s por debajo del valor de iluminancia preconfigurado, la luz se conectará automáticamente después de 10 s. (LED encendido durante 10 s para la indicación) El nivel de luz ambiental cambia de oscuro a claro: Si el nivel de luz ambiental excede continuamente el valor de iluminancia de desconexión durante 5 min, se pueden producir diferentes reacciones según el valor de tiempo ajustado. Con un ajuste de tiempo de ≥ 5 min, la luz se apagará automáticamente después de 5 min. Con un ajuste de tiempo < 5 min, la luz se apagará automáticamente al alcanzar el tiempo ajustado si no se detecta movimiento alguno durante 5 min. Si, por el contrario, se detecta movimiento durante esos 5 min, el tiempo se restablecerá con la detección y la luz permanecerá desconectada hasta 5 min después.

### 4.3 Cableado

#### ⚠️ PELIGRO

#### PELIGRO DE DESCARGA ELÉCTRICA

La tensión de los terminales de cableado es peligrosa.  
 • Para evitar lesiones, bloquee y marque el circuito de alimentación antes de la instalación.  
 • Es necesario instalar un interruptor automático (250 V CA, 10 A) tipo C de acuerdo con la norma EN60898-1.

**Un error durante el seguimiento de las presentes instrucciones puede derivar en lesiones graves e incluso mortales.**

#### 4.3.1 CCT551023 para aplicación estándar (véase FIG. 5)

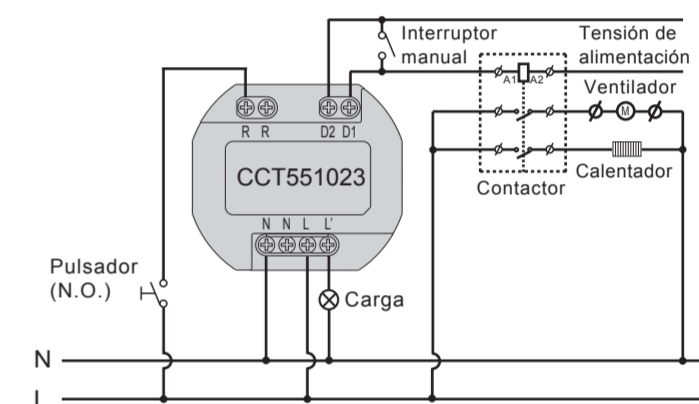


FIG. 5

#### 4.3.2 CCT551023 controla el temporizador de escalera (la hora 1 debe ajustarse a $\int$ $\int$ ) (véase FIG. 6)

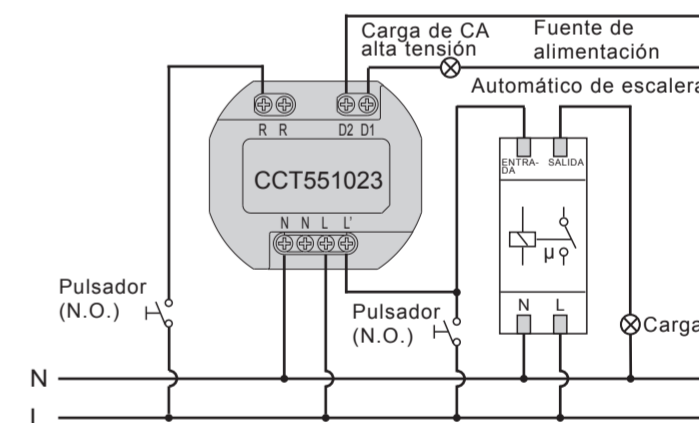


FIG. 6

### 4.4 Procedimiento de instalación

#### 4.4.1 Montaje a ras de la caja de empalmes de estándar europeo

- 4.4.1.1 Retire el marco decorativo del detector, a continuación saque el cabezal del detector de la caja de potencia desatornillando los 4 tornillos de retención (véase FIG. 7).

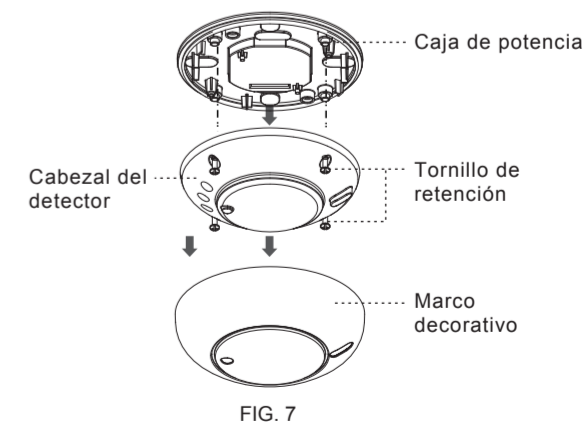


FIG. 7

4.4.1.2 Extraiga los cables de potencia CA de la caja de empalmes de estándar europeo y a continuación elimine 6 - 8 mm de revestimiento para el cableado (véase FIG. 8).

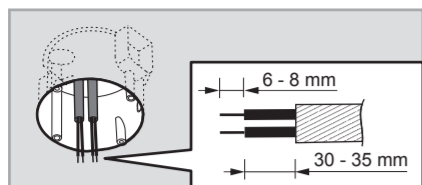


FIG. 8

4.4.1.3 Fije la caja de potencia en la caja de empalmes de estándar europeo mediante 2 tornillos (véase FIG. 9).

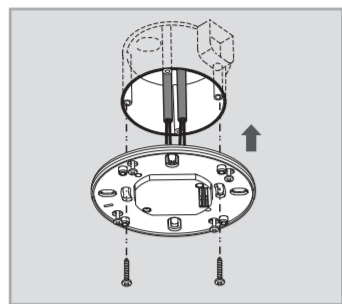


FIG. 9

4.4.1.4 Fije el cabezal del detector en la caja de potencia insertando los cuatro tornillos de retención en los orificios correspondientes y a continuación cubra el marco decorativo (véase FIG. 7).

4.4.1.5 Restablezca la fuente de alimentación.

4.4.2 Montaje a ras de la tapa de la caja de potencia

4.4.2.1 Para instalar el detector, taladre un agujero con un diámetro de 65 mm en el panel del techo y mantenga el cable de potencia en el exterior. Elimine 6 - 8 mm de revestimiento para el cableado (véase FIG. 10).

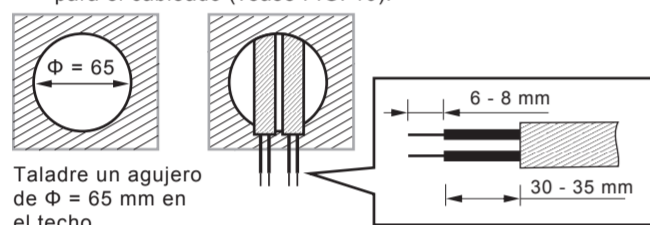


FIG. 10

4.4.2.2 Utilice un destornillador para romper la junta de plástico de la tapa de la caja de potencia y a continuación introduzca los cables a través de ella (véase FIG. 11).

4.4.2.3 Observe la ilustración de las FIG. 5 - FIG. 6 para proceder al cableado correcto y a continuación atornille con fuerza la tapa de la caja de potencia.

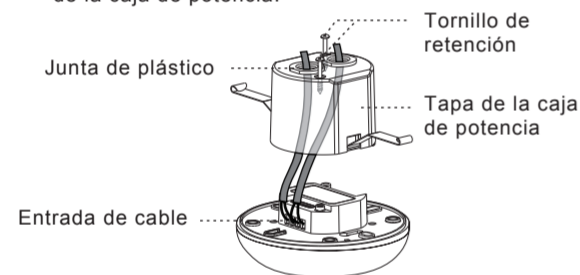


FIG. 11

4.4.2.4 Cierre las pinzas de dos muelles del detector e inserte el detector en el agujero taladrado del techo (véase FIG. 12).

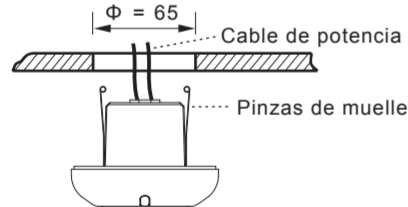


FIG. 12

4.4.2.5 Restablezca la fuente de alimentación.

4.4.3 Montaje en superficie con caja de empalmes

4.4.3.1 Hay 4 pares de aberturas a diferentes distancias entre 41 mm y 85 mm en la caja de empalmes que pueden utilizarse para distintas opciones de montaje (véase FIG. 13-A). Seleccione dos figuras homólogas a ambos extremos para el ajuste de la distancia correspondiente (véase FIG. 13-B).

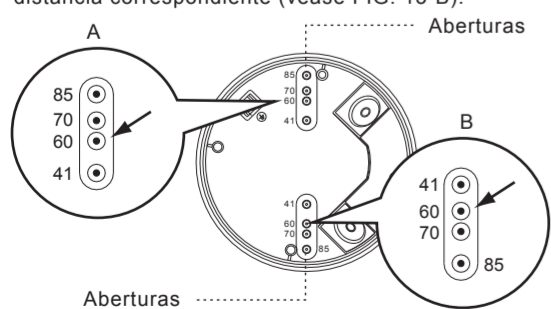


FIG. 13-A

| N.º | A  | B  | La distancia entre A y B |
|-----|----|----|--------------------------|
| 1   | 41 | 41 | 41 mm                    |
| 2   | 60 | 60 | 60 mm                    |
| 3   | 70 | 70 | 70 mm                    |
| 4   | 85 | 85 | 85 mm                    |

FIG. 13-B

4.4.3.2 Con el objetivo de introducir los cables de potencia CA por el lateral de la caja de empalmes, utilice los alicates para efectuar las aberturas de entrada del cable en el lateral de la caja de empalmes, y a continuación inserte los cables para proceder a la introducción. Elimine 6 - 8 mm de revestimiento para el cableado (véase FIG. 14).

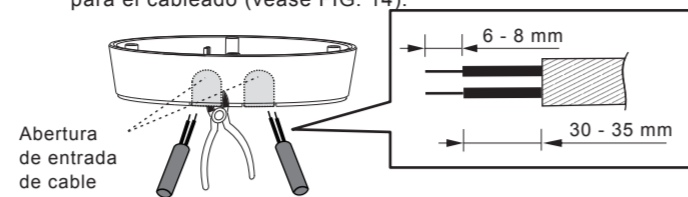


FIG. 14

4.4.3.3 Seleccione las aberturas adecuadas para fijar la caja de empalmes en la superficie del panel del techo con 2 tornillos de madera apretados con arandelas de plástico (véase FIG. 15).

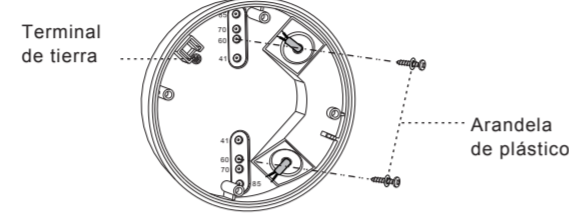


FIG. 15

4.4.3.4 Inserte 4 tornillos de retención en los correspondientes agujeros de la placa de fijación del detector, y dichos tornillos supondrán un seguro para las siguientes instalaciones (véase FIG. 16).

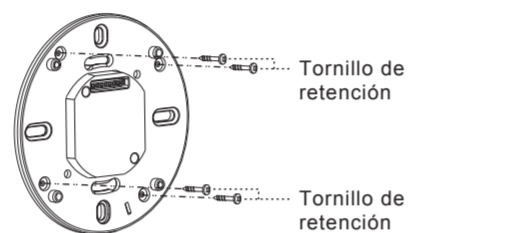


FIG. 16

4.4.3.5 Observe los diagramas de cableado para proceder a la correcta conexión (véase FIG. 5 - FIG. 6). Hay un orificio cuadrado en la placa de fijación. Al colocar la placa de fijación en la caja de empalmes, haga coincidir el hueco con la protuberancia de la caja de empalmes (véase FIG. 1), a continuación fije el cabezal del detector en la caja de potencia de acuerdo con la FIG. 9 y ensámblelos con los 4 tornillos de retención suministrados.

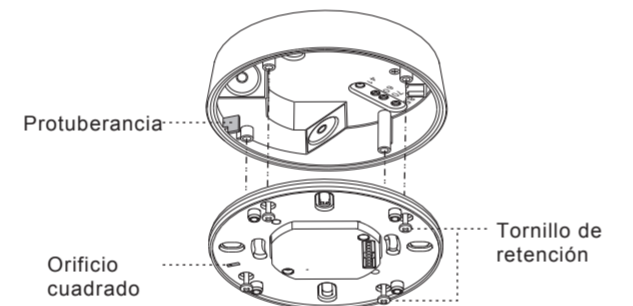


FIG. 17

4.4.3.6 Cubra el marco decorativo del detector y restablezca la fuente de alimentación.

## 5 OPERACIÓN Y FUNCIÓN

### 5.1 Ajuste de las perillas de medición, iluminancia y tiempo

| Perilla (ajuste de fábrica) | Función      | Ajuste de perilla  |
|-----------------------------|--------------|--|
|                             | Medición     | Ajuste de la sensibilidad del detector<br>Rango: ajustable desde "-" (aprox. $\Phi$ 4 m) hasta "+" (aprox. $\Phi$ 14 m).<br>Tenga en cuenta el apartado 4.1.1  |
|                             | Iluminancia  | Ajuste del valor de iluminación para conectar la carga<br>Rango: ajustable desde aprox. 10 lx a "∞".<br>☞ (memorización): El nivel de luz ambiental actual (10 lx - 2000 lx) se puede registrar.   |
|                             | Hora / Hora1 | Tiempo off de retardo para iluminación<br>Rango: ajustable desde aprox. 10 s a 30 min<br>Prueba: Modo de prueba (LED rojo y carga 2 s on, 2 s off)<br>⏏: Modo de impulso breve para control de conmutación de temporizador de escalera (carga 1 s on, 9 s off) |
|                             | Hora2        | Tiempo off de retardo para CA alta tensión<br>Rango: ajustable desde aprox. 10 s a 60 min  |

### 5.2 Función de memorización de iluminancia con perilla

Procedimiento de memorización:

- 5.2.1 Ajuste la perilla en "☞" cuando el nivel de luz ambiental coincida con el valor deseado (véase FIG. 18-A).
- 5.2.2 Cuando la perilla está inicialmente ajustada en "☞", es necesario cambiarla a otra posición durante más de 1 s, y a continuación regresa a "☞" (véase FIG. 18-B).
- 5.2.3 La carga está off. El LED comienza a parpadear lentamente indicando el inicio del modo de memorización. La memorización finaliza en 25 segundos. Posteriormente, el LED y la carga permanecen on durante 5 s o el LED parpadea rápidamente durante 5 s y la carga está off para confirmar que la memorización se ha realizado (véase FIG. 18-C).
- 5.2.4 Después del procedimiento de memorización, el detector regresa al modo AUTO con el LED y la carga off.

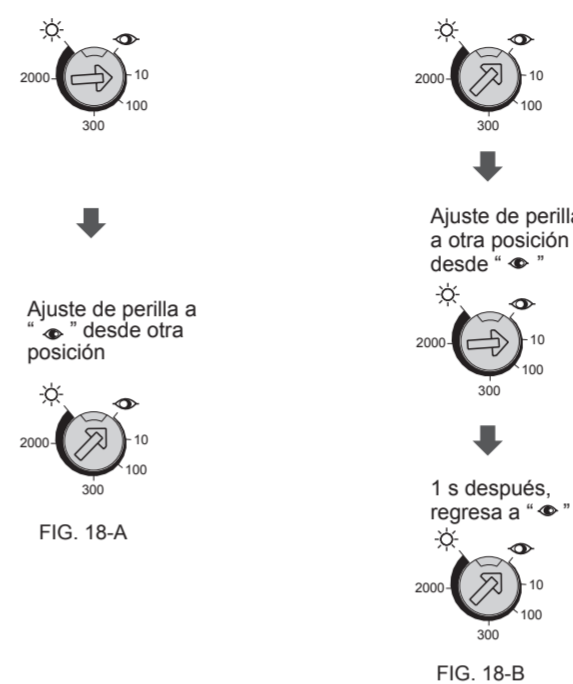
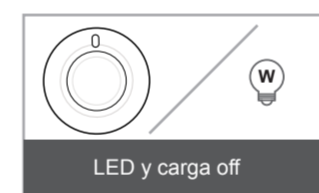
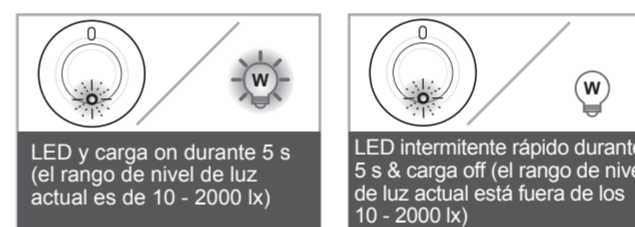
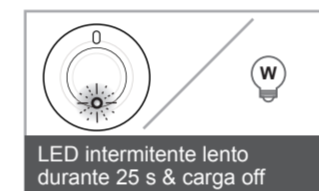


FIG. 18-A

FIG. 18-B



El detector pasa a modo AUTO.

FIG. 18-C

### 5.3 Prueba de movimiento (iluminancia no válida)

La finalidad de la prueba de movimiento es comprobar y ajustar la cobertura de detección.

Procedimientos de prueba:

- 5.3.1 El examinador debe encontrarse dentro de la cobertura de detección.
- 5.3.2 Conecte la energía.
- 5.3.3 El detector pre cisa aprox. 30 s para arrancar con carga, el LED permanece on y se apaga después del tiempo de calentamiento.
- 5.3.4 Camine desde el exterior hacia la zona de cobertura de detección de forma directa o indirecta, hasta que el LED y la carga se conecten durante 2 s (véase FIG. 19).
- 5.3.5 Ajuste la perilla de medición para el rango de detección deseado.

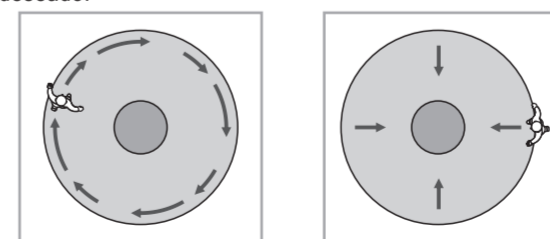


FIG. 19

## 6 SOLUCIÓN DE PROBLEMAS

Cuando el detector funcione con anomalías, consulte los problemas y las soluciones propuestas en la tabla de abajo, ya que podrá resultarle útil.

| Problema                                     | Posible causa  | Solución sugerida   |
|--|--|---|
| El LED no se enciende                        | 1. No hay alimentación de energía.<br>2. Cableado incorrecto.                          | 1. Conecte la fuente de energía.<br>2. Conecte la carga indicada en los diagramas de cableado (véase FIG. 5 - FIG. 6).  |
| El dispositivo de iluminación no se enciende | 1. Cableado incorrecto.<br>2. Mal funcionamiento de la carga.                          | 1. Conecte la carga indicada en los diagramas de cableado (véase FIG. 5 - FIG. 6).<br>2. Sustituya la carga incorrecta con otra nueva.  |
| El dispositivo de iluminación no se apaga    | 1. El detector se activa de forma no deseada.<br>2. Cableado incorrecto.               | 1. Manténgalo fuera de la cobertura de detección para evitar que se active durante la prueba.<br>2. Conecte la carga indicada en los diagramas de cableado (véase FIG. 5 - FIG. 6). |
| Activación no deseada                        | 1. Materiales metálicos reflectantes.<br>2. Vibración en la superficie de instalación. | 1. Compruebe si el detector está orientado hacia algún material metálico reflectante.<br>2. Compruebe si el detector está montado en una superficie con vibraciones.                |

## 7 ACCESORIOS OPCIONALES

7.1 Se recomienda adquirir el control remoto por infrarrojos (ref. CCT556023) para garantizar que las operaciones de ajuste del detector se realizan de forma sencilla y segura.

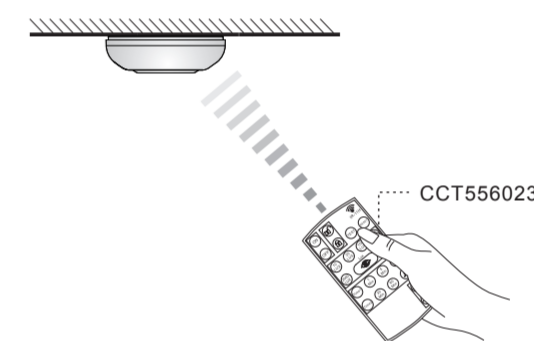
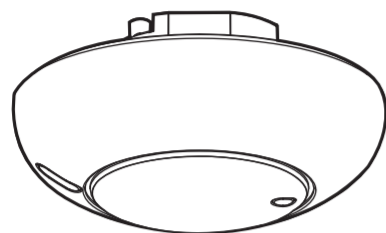


FIG. 22

Schneider Electric Industrie SAS

Si tiene consultas técnicas, llame al servicio de atención al cliente de su país. [schneider-electric.com/contact](http://schneider-electric.com/contact)

# ARGUS



## BRUGERVEJLEDNING

### TEKNISKE SPECIFIKATIONER

|  |   |               |
|--|---|---------------|
| Vurderet spænding                        | 220-240 V~ 50/60 Hz   |               |
| Belastning                               | Load I (L') til belysning: $\mu$  |               |
|  | Glødelampe:   | Maks. 2000 W  |
|  | HV-halogenlampe:  | Maks. 1000 W  |
|  | LV-halogenlampe:  | Maks. 1000 VA |
|  | Lysstofrør:   | Maks. 900 VA  |
|  | lysdiodelampe:  | Maks. 100 W   |
|  | Energisparelampe (CFL):   | Maks. 100 W   |
|  | Belastning II (D1-D2) til varme, ventilation og klima (Lux er ugyldig):   |               |
| Relæklasse:                              | Maks. 5 A ( $\cos\phi = 1$ ), 250 V AC  |               |
| Motoreffekt:                             | Maks. 100 W   |               |
| Frekvens                                 | 5,8 GHz   |               |
| Detekteringsvinkel                       | 360°  |               |
| Detekteringssområde                      | Justebar op til $\Phi 14$ m (H = 2,5-5 m)   |               |
|  | Justebar op til $\Phi 10$ m (H = 5,5-10 m)  |               |
| Justering af automatisk deaktiveringstid | Tid 1 (til belysning): Justerbar fra ca. 10 sek. til 30 min., test og $\overline{I_{S1}}$   |               |
|  | Tid 2 (til varme, ventilation og klima): Justerbar fra ca. 10 sek. til 60 min.  |               |
| Lux-justering                            | Justerbar fra ca. 10 Lux til $\infty$ og "☛" (indlæringsområde: 10 Lux-2000 Lux)  |               |
| Miljøbeskyttelse                         | Klasse II<br>IP40 (Indsæt forsænket med strømboksdæksel og tilslutningsdåse af europæisk standard)<br>IP52 (Overflademontør med tilslutningsdåse) |               |

### Sikkerhedsadvarsel

#### FARE FOR ELEKTRISK STØD, EKSPLOSION ELLER BUE-FLASH

En sikker elektrisk installation må kun udføres af kompetente fagfolk. Kompetente fagfolk skal udvise omfattende viden på følgende områder:

- Tilslutning til installationsnetværker
- Tilslutning af forskellige elektriske apparater
- Trækning af elektriske kabler
- Sikkerhedsstandarder, regler og bestemmelser for lokal ledningsføring
- Afbryd indgangskredsløbet, og mærk det, før der fås adgang til ledningstilslutningerne.

Hvis disse instruktioner ikke overholdes, kan det resultere i død eller alvorlige kvæstelser.

## 1 PAKKEINDHOLD

|                  |                  |                                   |                              |
|------------------|------------------|-----------------------------------|------------------------------|
| <b>Mønster</b>   |                  |                                   |                              |
| <b>Komponent</b> | Detektor         | Skruer $\Phi 3$ x 16 mm           | Manuel                       |
| <b>Antal</b>     | 1                | 2                                 | 1                            |
| <b>Mønster</b>   |                  |                                   |                              |
| <b>Komponent</b> | Tilslutningsdåse | Faldsikker skrue $\Phi 3$ x 15 mm | Træskruer $\Phi 4$ x 25,4 mm |
| <b>Antal</b>     | 1                | 4                                 | 2                            |
| <b>Mønster</b>   |                  |                                   |                              |
| <b>Komponent</b> | Tilslutningsdåse | Faldsikker skrue $\Phi 3$ x 15 mm | Strømboksdæksel              |
| <b>Antal</b>     | 1                | 4                                 | 1                            |

### Tilbehør til ekstraudstyr

|                  |                                |
|------------------|--------------------------------|
| <b>Mønster</b>   |                                |
| <b>Komponent</b> | IR-fjernbetjening<br>CCT556023 |
| <b>Antal</b>     | 1                              |

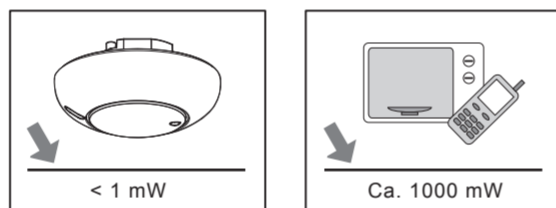
## 2 PRODUKTBEKRIVELSE

### 2.1 Funktioner

- Kan monteres i højder op til 10 m. Det er ideelt i bygninger med højt til loftet, som f.eks. lagre, gymnastiksale osv.
- Høj sensitivitet til detektering af den mindste bevægelse.
- Sensitiviteten er uændret, hvad enten bevægelsen er på tværs eller mod detektoren.
- Kraftigt kredsløbsdesign til styring af alle lampetyper.
- Der er indbygget en belysningsføler til at indstille det ønskede lysniveau til automatisk at tænde den kontrollerede belysning på det rette tidspunkt for at maksimere energibesparelser og spare mere på dine elektricitetsudgifter.
- Forskellige monteringsmetoder, inklusive skjult montering i loft med strømboksdæksel med fjederbånd direkte eller kombineret med den eksisterende tilslutningsdåse af europæisk standard og loftsoverflademontør med tilslutningsdåsen.
- Bortset fra de leverede Lux-værdier kan omgivelseslys niveauet indlæses enten med IR eller knap som tærskel for at tænde/slutte belastningerne for at opnå en mere fleksibel anvendelse.
- En yderligere funktion til manuel tænding/slukning af den kontrollerede belastning er mulig ved at tilslutte en trykkontakt.
- Som ekstraudstyr kan fås en IR-fjernbetjening, der har lette og hurtige indstillinger

### 2.2 Karakteristika for højfrekvent tilstedeværelsesdetektor

- 2.2.1 En højfrekvenssensor kan trænge igennem umetalliske materialer som f.eks. træpap, murstensvægge, glas osv., men den kan ikke trænge igennem vand og metal.
- 2.2.2 En højfrekvent tilstedeværelsesdetektor er meget driftssikker, og dens detekteringsområde er mindre påvirket af temperatur, luftstrøm, vind osv.
- 2.2.3 Fugtighed, vibration lige så vel som måling af bevægende genstande kan svække højfrekvensdetektorens ydeevne.
- 2.2.4 Detektoren er mere sensitiv over for bevægelse ved forskellige hastigheder, hvilket fører til et større detekteringsområde, og den er mindre sensitiv over for bevægelse ved den samme hastighed, og detekteringsområdet kan derfor reduceres.
- 2.2.5 Der sker let en falsk udløsning på grund af dens stærke gennemtrængelighed gennem umetalliske materialer og høje sensitivitet. Man skal være forsigtig ved valg af placeringen af detektoren.
- Radarmodulets højfrekvente ydelse er  $< 1$  mW, ca. kun 0,1 % af en mobiltelefons sendestyrke eller en mikrobølgeovns ydelse.



## 3 DIMENSION

- $\Phi 107$  x 50 mm

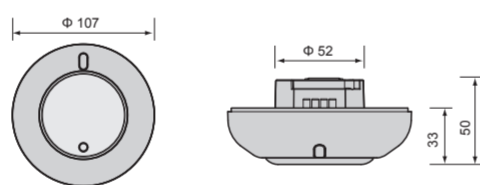


FIG. 1-A

- Detektor med strømboksdæksel (ekstraudstyr)

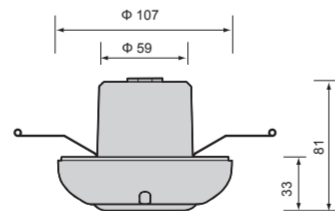


FIG. 1-B

- Detektor med tilslutningsdåse (ekstraudstyr)

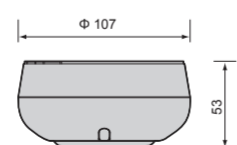


FIG. 1-C

## 4 INSTALLATION OG LEDNINGSFØRING

### 4.1 Vælg en korrekt placering

#### 4.1.1 Detekteringsdækning

| Installationshøjde | Detekteringsområde       |                          |
|--------------------|--------------------------|--------------------------|
|                    | Måleknappindstilling "+" | Måleknappindstilling "-" |
| H = 2,5-3,5 m      | $\Phi 14$ m              | $\Phi 2$ m               |
| H = 4-5 m          | $\Phi 14$ m              | /                        |
| H = 5,5-10 m       | $\Phi 10$ m              | /                        |

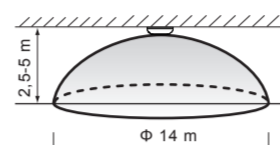


FIG. 2-A

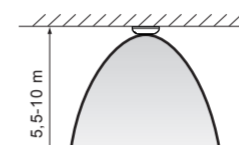


FIG. 2-B

#### 4.1.2 Nyttige tips til installation

Se nedenstående skema vedrørende detektorens gennemtrængelighed af forskellige materialer:

| Materiale      | Gennemtrængelighed   | Dæmpning |
|----------------|--|----------|
| PVC og plastik | Ja   | 5-10 %   |
| Træ            | Ja   | 10-20 %  |
| Glas           | Ja, de forskellige glastykkelser kan resultere i forskellige dæmpningsgrader | 15-30 %  |
|                | Ja, murstensvægge med en tykkelse under 30 cm                                | 60-70 %  |
| Mursten        | Nej, murstensvægge med en tykkelse over 30 cm                                | 100 %    |
|                | Armeret beton  | Nej      |
| Metal          | Nej  | 100 %    |

#### 4.1.3 Ved montering af detektoren på loftet

Hold detektoren mindst 4 m (B) væk fra vægge af træ, glas eller mursten, hvis tykkelse er mindre end 30 cm (A) eller 1 m (B) væk fra vægge, hvis tykkelse er over 30 cm (A). Brugere kan desuden justere måleknappen til at mindske sensitiviteten og dækningen for at undgå en falsk udløsning, når der passerer personer uden for væggen.

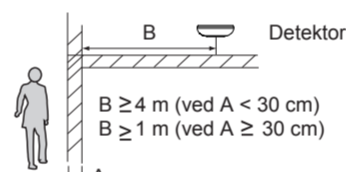


FIG. 3

- 4.1.4 Vandstrømmen i et vandrør kan udløse HF-detektoren. Det anbefales at holde detektoren væk fra vandrøret i overensstemmelse med følgende retningslinjer for at undgå udløsningsgener

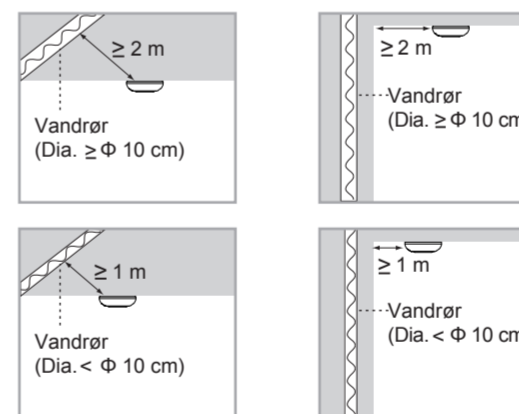


FIG. 4

### 4.2 Funktion

#### 4.2.1 R-terminalens funktion

- 4.2.1.1 R-terminalen og trykknappen (N.O.) kan serietilsluttes for at aktivere on/off-kontrollen på belastningen. (eksempel 1: til → fra; eksempel 2: fra → til). Mens der trykkes på trykknop ( $\leq 1$  sek.):

Bemærk, at denne funktion er ugyldig, når belysningen (detektor) er i modien med 8 timers aktivering eller deaktivering, der indstilles med IR-fjernbetjeningen.

#### Eksempel 1: Manuel slukning (Lux-indstillinger er ugyldige):

Hvis belysningen er i tændt modus, kan den afbrydes manuelt. Hvis belysningen slukkes manuelt ved at trykke på ( $\leq 1$  sek.) trykknappen (aktiverer den manuelle deaktiveringsmodus), forbliver den slukket, selvom detektoren udløses. Hvis rummet er tomt i et længere stykke tid (forsinkelsestid for slukning udløbet), deaktiveres den manuelle deaktiveringsstatus (= manuel deaktiveringsmodus), hvorefter detektoren returnerer til den sidste indstillingsmodus, før den går i manuel deaktiveringsmodus. Hvis detektoren er i den manuelle deaktiveringsstatus, aktiverer det andet tryk på trykknappen den manuelle aktiveringsmodus.

#### Eksempel 2: Manuel tænding (Lux-indstillinger er ugyldige):

Hvis belysningen er i slukket modus, kan den tændes manuelt. Hvis belysningen tændes manuelt ved at trykke på ( $\leq 1$  sek.) trykknappen (aktiverer den manuelle aktiveringsmodus), forbliver den tændt, mens detektoren udløses, og den slukker, når der ikke detekteres bevægelse mere, og forsinkelsestiden for slukning er udløbet, og detektoren returnerer til den sidste indstillingsmodus, før den går i manuel aktiveringsmodus. Hvis detektoren er i den manuelle aktiveringsstatus, aktiverer det andet tryk på trykknappen den manuelle deaktiveringsmodus.

#### 4.2.2 Vurdering af omgivelseslys

Ifølge det omskiftelige omgivelseslys niveau kan detektoren udskyde belastningens forsinkelsestid for tænding og slukning for at undgå unødvendige afbrydelser fra belastninger på grund af hurtige ændringer i omgivelseslyset. Omgivelseslys niveau skifter fra lys til mørke: Hvis omgivelseslys niveauet forbliver lavere end den forudindstillede Lux-værdi i 10 sek., tændes lyset automatisk efter 10 sek. (Lysdioden vil være tændt i 10 sek for indikation) Omgivelseslys niveau skifter fra mørke til lys: Hvis omgivelseslys niveauet vedvarende overskrider Lux-værdien på 5 min. for slukning, er der forskellige reaktioner ifølge tidsindstillingsværdien. Tidsindstilling  $\geq 5$  min., lyset slukkes automatisk efter 5 min. Tidsindstilling  $< 5$  min., lyset slukkes automatisk, når den indstillede tid næses, hvis der ikke detekteres bevægelse i løbet af de 5 min., nulstilles tiden ved detektion, og lyset slukkes 5 min. herefter.

### 4.3 Ledningsføring

#### FARE

#### FARE OG ELEKTRISK STØD

Der er farlig spænding på ledningsterminalerne.  
 • Afbryd, og mærk forsyningskredsløbet før installation for at undgå kvæstelser.  
 • Der skal installeres en brydekontakt (250 V AC, 10 A) type C ifølge EN60898-1.

Hvis disse instruktioner ikke overholdes, kan det resultere i død eller alvorlige kvæstelser.

#### 4.3.1 CCT551023 til standardanvendelse (Se FIG. 5)

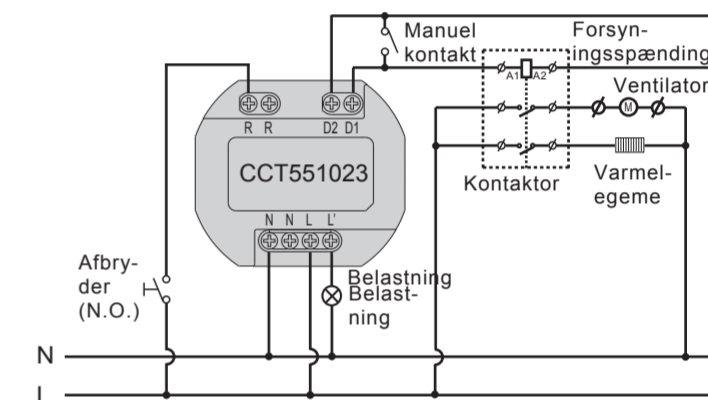


FIG. 5

#### 4.3.2 CCT551023 styrer kontakt til trappeautomat (Tid1 skal indstilles til $\overline{I_{S1}}$ ) (Se FIG. 6)

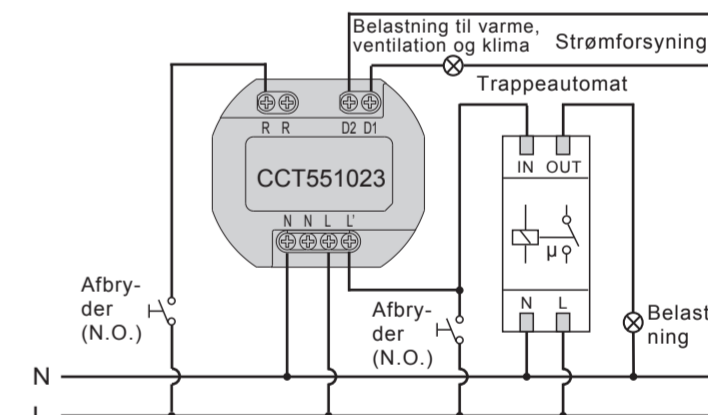


FIG. 6

### 4.4 Installationsprocedure

#### 4.4.1 Indsæt forsænket med tilslutningsdåse af europæisk standard

- 4.4.1.1 Tag den dekorative ramme af detektoren, og tag derefter detektorhovedet ud af strømboksen ved at skrue dens 4 faldsikre skruer ud (Se FIG. 7).

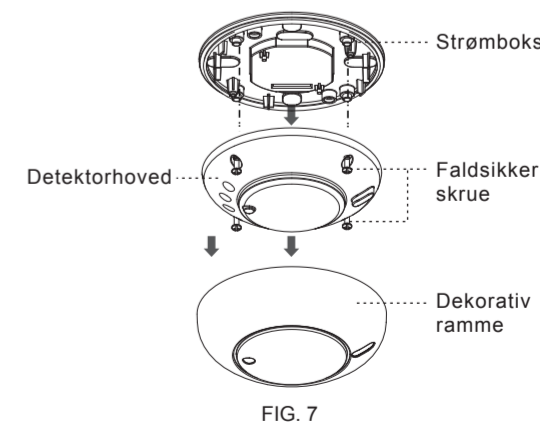


FIG. 7

4.4.1.2 Træk spændingskabler fra tilslutningsdåsen af europæisk standard, og afmonter derefter 6-8 mm kabelkappe til ledningsføring (Se FIG. 8).

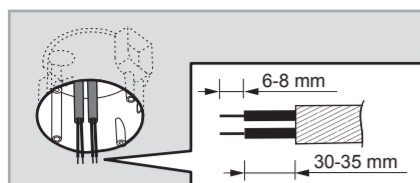


FIG. 8

4.4.1.3 Monter strømboksen i tilslutningsdåsen af europæisk standard med 2 skruer (Se FIG. 9).

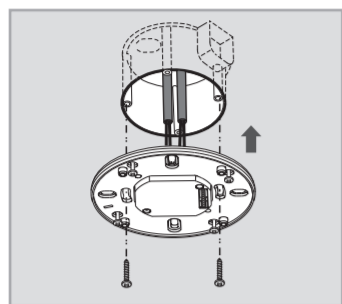


FIG. 9

4.4.1.4 Monter detektorhovedet på strømboksen ved at indsætte dens fire faldsikre skruer i de tilsvarende skruehuller. Påsæt derefter den dekorative ramme (Se FIG. 7).

4.4.1.5 Tænd igen for strømforsyningen.

4.4.2 Indsæt forsænket med strømboksdæksel

4.4.2.1 Installer detektoren ved at bore et hul med en diameter på 65 mm på loftspladen, og hold spændingskablet væk. Afmonter 6-8 mm kabelkappe til ledningsføring (Se FIG. 10).

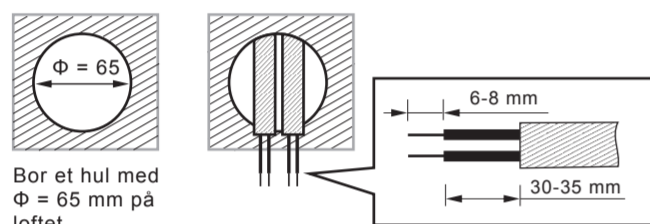


FIG. 10

4.4.2.2 Brug en skruetrækker til at bryde gummipakningen op på strømboksens dæksel, og før derefter kablerne gennem den (Se FIG. 11).

4.4.2.3 Se den korrekte ledningsføring på illustrationen på FIG. 5 - FIG. 6, og skru derefter dækslet på strømboksen fast igen.

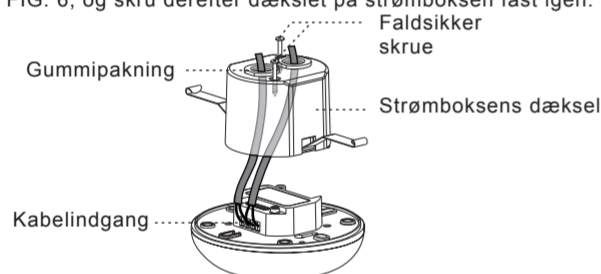


FIG. 11

4.4.2.4 Luk detektorens fjederbånd op, og indsæt detektoren i det borede hul i loftet (Se FIG. 12).

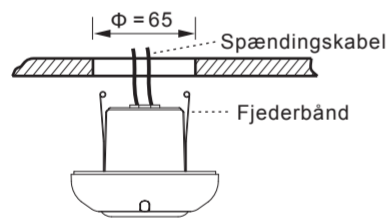


FIG. 12

4.4.2.5 Tænd igen for strømforsyningen.

4.4.3 Overflademontér med tilslutningsdåse

4.4.3.1 Der er 4 par knockouts med forskellige afstande fra 41 mm til 85 mm på tilslutningsdåsen, der kan vælges til forskellige monteringsanvendelser (Se FIG. 13-A). Vælg de to samme figurer i begge ender til den tilsvarende afstand til fastgørelse. (Se FIG. 13-B).

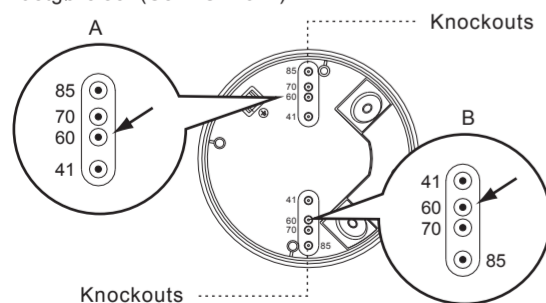


FIG. 13-A

| NR. | A  | B  | Afstanden mellem A og B |
|-----|----|----|-------------------------|
| 1   | 41 | 41 | 41 mm                   |
| 2   | 60 | 60 | 60 mm                   |
| 3   | 70 | 70 | 70 mm                   |
| 4   | 85 | 85 | 85 mm                   |

FIG. 13-B

4.4.3.2 Før spændingskablerne gennem siden på tilslutningsdåsen ved at bruge bidetangen til at bryde kabelindgangens knockouts på siden af tilslutningsdåsen og derefter føre kablerne ind i tilslutningsdåsen og gennem den. Afmonter 6-8 mm kabelkappe til ledningsføring (Se FIG. 14).

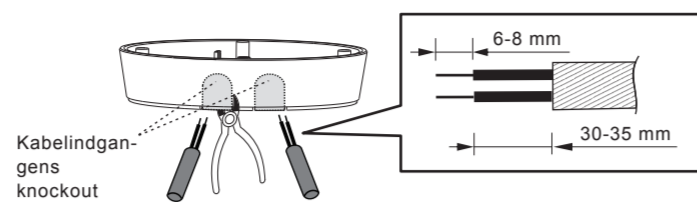


FIG. 14

4.4.3.3 Vælg de rigtige knockouts til at montere tilslutningsdåsen på overfladen af loftspladen med 2 træskruer, der fastspændes med gummiskiver (Se FIG. 15).

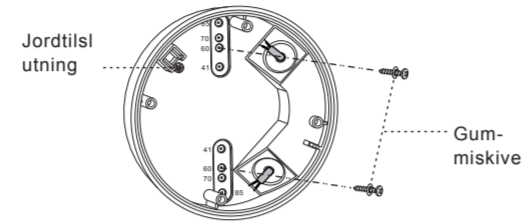


FIG. 15

4.4.3.4 Indsæt 4 faldsikre skruer i de tilsvarende skruehuller på detektorens fikseringsplade, og de 4 skruer kan ikke falde ned, hvilket letter de efterfølgende installationer (Se FIG. 16).

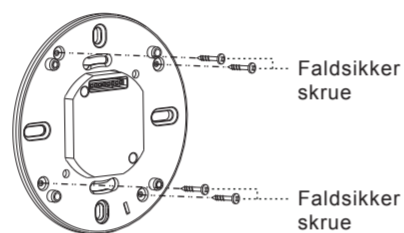


FIG. 16

4.4.3.5 Se de korrekte tilslutninger af ledninger på strømskemaerne (Se FIG. 5 - FIG. 6). Der er et firkantet hul i fikseringspladen, når du lægger fikseringspladen på tilslutningsdåsen. Tilpas udsparringen til tilslutningsdåsens fremspring (Se FIG. 17). Monter derefter detektorhovedet på strømboksen ifølge FIG. 9, og saml det med de fastgjorte 4 faldsikre skruer.

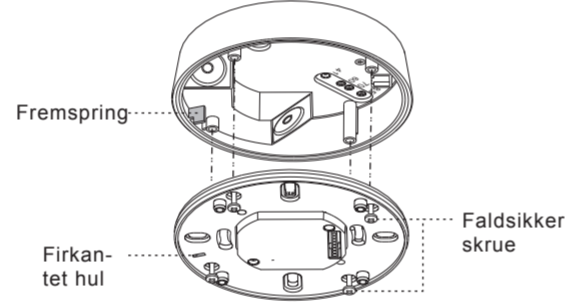


FIG. 17

4.4.3.6 Tildæk detektorens dekorative ramme, og retabler strømforsyningen.

## 5 BETJENING OF FUNKTION

### 5.1 Indstilling af måler, Lux og tidsknapper

| Knap (fabriksindstilling) | Funktion   | Knapindstilling   |
|---------------------------|--|---|
| Måler                     | Indstil detektorens sensitivitet   | Rækkevidde: Justerbar fra "-" (ca. 4 m) til "+" (ca. 14 m).<br>Se 4.1.1.  |
| Lux                       | Indstil lysværdien for at tænde for belastningen                         | Rækkevidde: Justerbar fra ca. 10 Lux til "∞".<br>☞ (indlær) : Det faktiske omgivelseslys niveau (10-2000 Lux) kan indlæses.   |
| Tid / Tid1                | Deaktiveringstid for forsinkelse af belysning                            | Rækkevidde: Justerbar fra ca. 10 sek. til 30 min.<br>Test : Testmodus (belastning og rød lysdiode vil være tændt 2 sek., slukket 2 sek.)<br>⌂sL : Kort impulsmodus for kontakt til trappeautomat (Belastning vil være tændt 1 sek., slukket 9 sek.) |
| Tid2                      | Indstil deaktiveringstid for forsinkelse for varme, ventilation og klima | Område: Justerbar fra ca. 10 sek. til 60 min.   |

### 5.2 Lux-indlæringsfunktion med knap

Indlæringsprocedure:

- 5.2.1 Juster knappen til "☞", når omgivelseslyset passer til den ønskede værdi (Se FIG. 18-A).
- 5.2.2 Når knappen oprindeligt er indstillet til "☞", skal den justeres til en anden position i mere end 1 sek., og den går derefter tilbage til "☞" (Se FIG. 18-B).
- 5.2.3 Når belastningen er deaktiveret. Lysdioden begynder at blinke langsomt, hvilket indikerer start på indlæringsmodus. Indlæringsmoden vil blive fuldført inden for 25 sekunder. Derefter vil lysdioden og belastningen fortsætte i 5 sek., eller lysdioden blinker hurtigt i 5 sek., og belastningen er deaktiveret for at bekræfte en vellykket indlærings (Se FIG. 18-C).
- 5.2.4 Efter indlæringsproceduren vender detektoren tilbage til AUTO-modus med lysdiode og belastning deaktiverede.

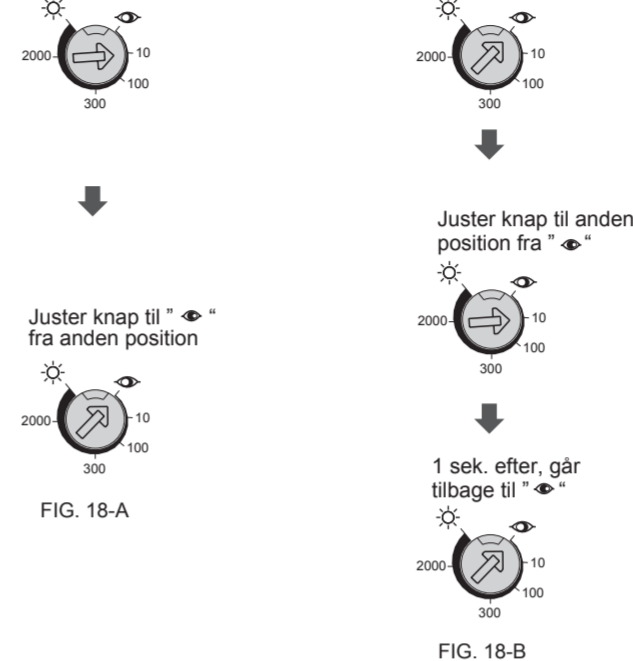
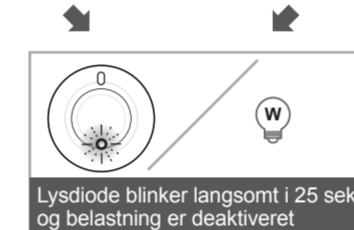


FIG. 18-A

FIG. 18-B



Detektor skifter til AUTO-modus

FIG. 18-C

### 5.3. Gangtest (Lux er ugyldig)

Formålet med at foretage gangtesten er at kontrollere og justere detektionsdækningen.

Testprocedurer:

- 5.3.1 Testeren skal være inden for detektionsdækning.
- 5.3.2 Tænd for strømmen.
- 5.3.3 Det tager ca. 30 sek. for detektoren at varme op med belastning og lysdiode, som derefter slukker efter opvarmningstiden.
- 5.3.4 Gå udenfor på tværs eller mod detektionsdækningen, indtil lysdioden og belastningen tænder i 2 sek. (Se FIG. 19).
- 5.3.5 Justering af måleknap til det ønskede detektionsområde.

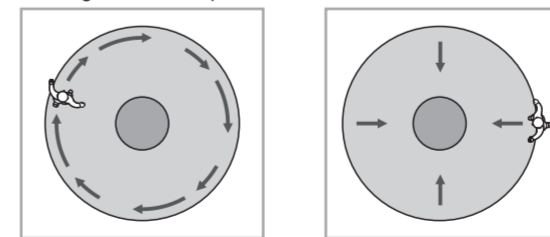


FIG. 19

## 6 FEJLFINDING

Kontroller de formodede problemer og foreslåede løsninger i nedenstående skema, når detektoren fejlfungerer, hvilket forhåbentligt vil løse dine problemer.

| Problem                          | Mulig årsag  | Foreslået løsning   |
|----------------------------------|--|---|
| Lysdiode tænder ikke             | 1. Der tilføres ikke strøm.<br>2. Forkert ledningsføring.                      | 1. Tænd for strømmen.<br>2. Tilslut belastningen ifølge strømskemaerne (Se FIG. 5 - FIG. 6).  |
| Belysningsanordning tænder ikke  | 1. Forkert ledningsføring.<br>2. Fejlfungerende belastning                     | 1. Tilslut belastningen ifølge strømskemaerne (Se FIG. 5 - FIG. 6).<br>2. Udskift den deaktiverede belastning med en ny.  |
| Belysningsanordning slukker ikke | 1. Detektoren er geneudløst.<br>2. Forkert ledningsføring.                     | 1. Hold dig uden for detektionsdækningen for at undgå at aktivere detektoren, mens testen foretages.<br>2. Tilslut belastningen ifølge strømskemaerne (Se FIG. 5 - FIG. 6). |
| Geneudløst                       | 1. Reflekterende metalmaterialer.<br>2. Vibration fra installationsoverfladen. | 1. Kontroller, om detektoren er rettet mod reflekterende metalmaterialer.<br>2. Kontroller, om detektoren er monteret på den vibrerende overflade.                          |

## 7 EKSTRAUDSTYR

7.1 Det tilrådes kraftigt at købe den tilsvarende IR-fjernbetjening (art. nr. CCT556023) for at kunne indstille betjeningen let og sikkert på detektoren.

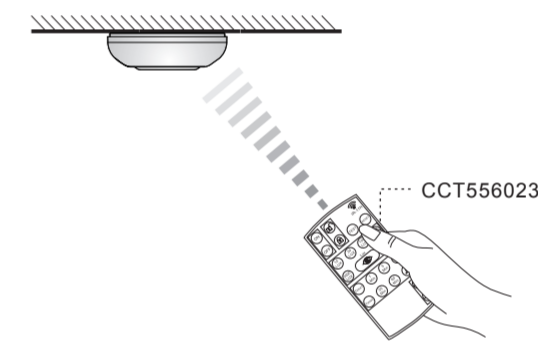


FIG. 22

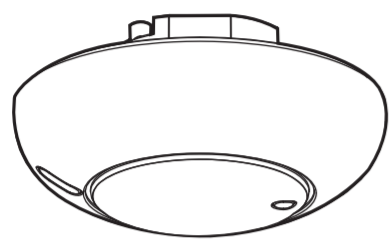
Schneider Electric Industries SAS

Kontakt kundeservicecentret i dit land, hvis du har tekniske spørgsmål.  
schneider-electric.com/contact

**BRUKSANVISNING**  
**ARGUS rörelsedetektor**  
**Högfrekvent för höglager - 2 kanaler**

Art.nr  
CCT551023

# ARGUS



## BRUKSANVISNING

### TEKNISKA SPECIFIKATIONER

|  |  |
|--|--|
| Nominell spänning  | 220 V - 240 V~ 50/60 Hz  |
| Last   | Last I (L') för belysning: $\mu$ Glödlampa: max. 2000 W<br>Högspänningshalogenlampa: max. 1000 W<br>Lågspänningshalogenlampa: max. 1000 VA<br>Lysrör: max. 900 VA<br>LED-lampa: max. 100 W<br>Lågenergilampa (CFL): max. 100 W |
| Last II (D1-D2) för HVAC (lux gäller ej):<br>Relä märkvärde: | max. 5 A (cos $\phi$ = 1),<br>250 V AC<br>max. 100 W   |
| Motorlast:   | max. 100 W   |
| Frekvens   | 5,8 GHz  |
| Detekteringsvinkel   | 360°   |
| Detektering-sräckvidd  | Inställbar upp till $\varnothing$ 14 m (H = 2,5 - 5 m)<br>Inställbar upp till $\varnothing$ 10 m (H = 5,5 - 10 m)  |
| Inställning av automatisk fränkopplingstid                   | Tid 1 (för belysning): inställbar från ca 10 s till 30 min, test & $\sqrt{ts}$<br>Tid 2 (för HVAC): inställbar från ca 10 s till 60 min  |
| Lux-inställning  | inställbar från ca 10 lux till $\infty$ och "☉" (inlärningsområde: 10 lux - 2000 lux)  |
| Miljöskydd   | Klass II<br>IP40 (infäld montering med plintskyddslock och kopplingsdosa av europeisk standard)<br>IP52 (utanpåliggande montering med kopplingsdosa)   |

### Säkerhetsvarning



#### RISK FÖR ELEKTRISK STÖT, EXPLOSION ELLER LJUSBÄGE

Säkra elinstallationer får endast utföras av behöriga elektriker. Behöriga elektriker måste ha djupa kunskaper inom följande områden:

- Anslutning till installationsnätverk
- Anslutning av flera elektriska apparater
- Dragning av elkablar
- Säkerhetsstandarder, lokala installationsbestämmelser och föreskrifter
- Koppla bort den ingående strömkretsen och märk den innan du arbetar med ledningsanslutningarna.

**Åtföljs inte dessa instruktioner kommer allvarliga till livshotande personskador att inträffa.**

## 1 PAKETINNEHÅLL

|           |          |                               |                |  |
|-----------|----------|-------------------------------|----------------|--|
| Mönster   |          |                               |                |  |
| Artikel   | Detektor | Skruv $\varnothing$ 3 x 16 mm | Bruksanvisning |  |
| Kvantitet | 1        | 2                             | 1              |  |

|           |               |  |                                    |                 |  |
|-----------|---------------|--|------------------------------------|-----------------|--|
| Mönster   |               |  |                                    |                 |  |
| Artikel   | Kopplingsdosa | Integrerad skruv $\varnothing$ 3 x 15 mm | Tråskruv $\varnothing$ 4 x 25,4 mm | Plintskyddslock |  |
| Kvantitet | 1             | 4  | 2                                  | 1               |  |

### Tillbehör att köpa som tillval

|           |                            |
|-----------|----------------------------|
| Mönster   |                            |
| Artikel   | IR-fjärrkontroll CCT556023 |
| Kvantitet | 1                          |

## 2 PRODUKTBeskrivning

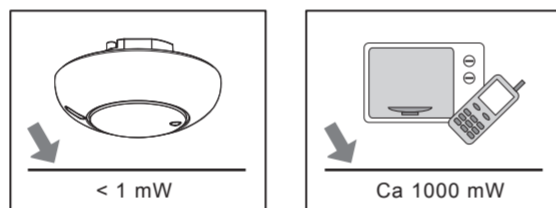
### 2.1 Funktioner

- Kan monteras upp till 10m höjd och är optimal vid byggnation av höga innetak exempelvis i varuhus, gymnastikhallar etc.
- Hög känslighet för detektering av minsta rörelse.
- Känsligheten påverkas inte av att rörelsen rör sig längs med eller rakt emot detektorn.
- Kraftfull krets konstruktion för styrning av alla slags lampor.
- Inbyggd ljusdetekterings sensor för inställning av önskad omgivningsljusstyrka för automatisk tändning av den styrda belysningen vid rätt tidpunkt. Detta maximerar energibesparingen och minskar elförbrukningen.
- Olika monteringsätt: infäld takmontering med plintskyddslock försett med fjädrande klämmor, direkt eller i kombination med befintlig kopplingsdosa av europeisk standard, samt utanpåliggande takmontering med kopplingsdosa.
- Förutom de fasta lux-värdena kan omgivningsljusstyrkan ställas in per IR eller med en vridknapp som ett tröskelvärde för till-/fränkoppling av laster, vilket ger flexibla ljusapplikationer.
- Extra manuell till-/fränkopplingsfunktion av den styrda lasten kan ordnas genom anslutning av en tryckknapp.
- IR-fjärrkontroll finns som tillval för snabba och enkla inställningar

### 2.2 Högfrekvent rörelsedetektor - egenskaper

- 2.2.1 Den högfrekventa sensorn penetrerar icke-metalliska material som t.ex. träskivor, tegelväggar, glas etc., men den kan inte penetrera vatten och metall.
- 2.2.2 Den högfrekventa rörelsedetektorn är mycket tillförlitlig och dess detekteringsområde påverkas i mindre grad av temperatur, luftströmmar, vind etc.
- 2.2.3 Luftfuktighet, vibrationer samt mätning av objekt i rörelse kan försämra prestandan hos den högfrekventa rörelsedetektorn.
- 2.2.4 Detektorn är mer känslig för rörelser i olika hastigheter, vilket leder till ett större detekteringsområde, och den är mindre känslig för rörelser i samma hastighet. Därför kan detekteringsområdet minska.
- 2.2.5 Den kan lätt göra felaktiga detekteringar på grund av dess höga penetrerbarhet i icke-metalliska material och höga känslighet. Detektorns placering måste därför väljas med större omsorg.

Radarmodulens högfrekventa utsignal är <1 mW, vilket är endast ca 0,1 % av sändningseffekten hos en mobiltelefon eller effekten som avges från en mikrovågsugn.



## 3 DIMENSIONER

- $\varnothing$  107 x 50 mm

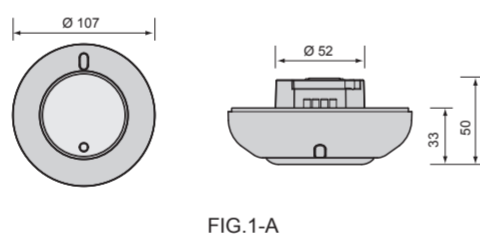


FIG.1-A

- Detektor med plintskyddslock (kan köpas som tillval)

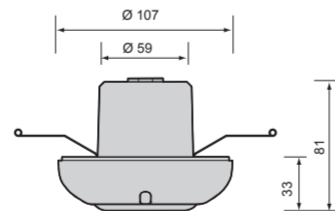


FIG.1-B

- Detektor med kopplingsdosa (kan köpas som tillval)

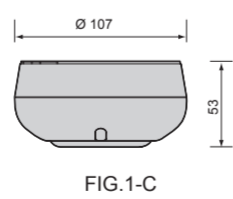


FIG.1-C

## 4 INSTALLATION OCH LEDNINGSDRAGNING

### 4.1 Välj en lämplig placering

#### 4.1.1 Detekteringsområde

| Monterings-höjd | Detekteringsräckvidd            |                                 |
|-----------------|---------------------------------|---------------------------------|
|                 | Meter-vridknapp inställning "+" | Meter-vridknapp inställning "-" |
| H = 2,5 - 3,5 m | $\varnothing$ 14 m              | $\varnothing$ 2 m               |
| H = 4 - 5 m     | $\varnothing$ 14 m              | /                               |
| H = 5,5 - 10 m  | $\varnothing$ 10m               | /                               |

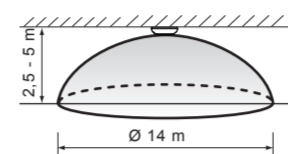


FIG.2-A

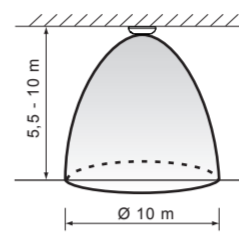


FIG.2-B

#### 4.1.2 Tips som underlättar installationen

För detektorns penetration av olika material, se tabellen nedan:

| Material       | Penetration                                    | Dämpning    |
|----------------|--|-------------|
| PVC och plast  | Ja   | 5 % - 10 %  |
| Trä            | Ja   | 10 % - 20 % |
| Glas           | Ja, olika glastjocklekar kan ge olika dämpning | 15 % - 30 % |
| Tegel          | Ja, tegelväggar med en tjocklek under 30 cm    | 60 % - 70 % |
| Armerad betong | Nej  | 100 %       |
| Metall         | Nej  | 100 %       |

#### 4.1.3 Takmonterad detektor

Detektorn ska sitta minst 4 m (B) från väggar av trä-, glas- eller tegelmaterial vars tjocklek är mindre än 30 cm (A), eller 1 m (B) från väggar vars tjocklek är över 30 cm (A). Dessutom kan användaren minska känsligheten och räckvidden med Meter-vridknappen. Detta kan minska risken för felaktig detektering när personer passerar utanför väggen.

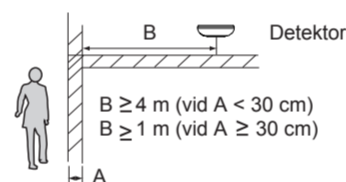


FIG.3

#### 4.1.4 HF-detektorn kan aktiveras av vattenflödet i en vattenledning.

Vi rekommenderar att detektorn hålls på avstånd från vattenledningar enligt följande riktlinjer för att undvika att felaktig detektering på grund av störningar.

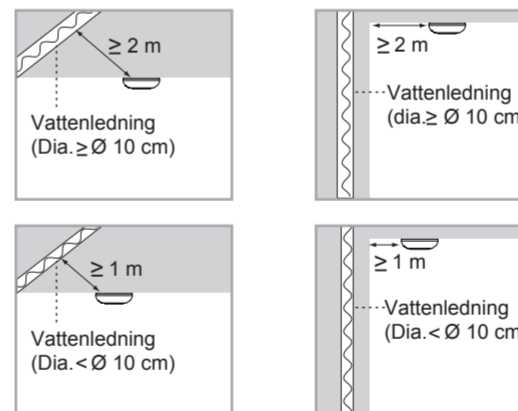


FIG.4

### 4.2 Funktion

#### 4.2.1 R-plintens funktion

4.2.1.1 Plintarna för R och tryckknappen (N.O.) kan seriekopplas för till-/fränstyrning av lasten.  
(Fall 1: till  $\rightarrow$  från ; fall 2: från  $\rightarrow$  till). När tryckknappen trycks in ( $\leq$  1 s):

Observera att den här funktionen inte är aktiv när belysningen (detektorn) är inställd på På 8tim och Av 8tim på IR-fjärrkontrollen.  
**Fall 1: Manuell fränkoppling (lux-inställningarna gäller inte):** När belysningen är under till-läget kan den slås ifrån manuellt. Vid manuell släckning av belysningen med tryck ( $\leq$  1 s) på tryckknappen (aktivera det manuella från-läget) förblir ljuset släckt även när detektorn detekterar rörelse. Om rummet är tomt under en längre tid (den fördröjda fränkopplingstiden har gått) avaktiveras den manuella från-statusen (= manuellt från-läge). Därefter går detektorn tillbaka till det läge som var inställt före det manuella från-läget. När enheten är i det manuella från-läget aktiverar ett andra tryck på tryckknappen det manuella till-läget.

#### Fall 2: Manuell tillkoppling (lux-inställningarna gäller inte):

När belysningen är under från-läget kan den slås till manuellt. Vid manuell tändning av belysningen med tryck ( $\leq$  1 s) på tryckknappen (aktiverar det manuella till-läget) förblir ljuset tätt om detektorn kontinuerligt detekterar rörelse, och ljuset släcks när ingen rörelse detekteras och den fördröjda fränkopplingstiden har gått. Därefter går detektorn tillbaka till det läge som var inställt före det manuella från-läget. När enheten är i det manuella till-läget aktiverar ett andra tryck på tryckknappen det manuella från-läget.

#### 4.2.2 Bedömning av omgivningsljuset

Fördröjningstiden som detektorn använder för att till- och fränkoppla lasten kan ställas in olika beroende på omgivningsljusstyrkan. På så vis undvika onödiga omkopplingar på grund av snabba ändringar i omgivningsljusstyrkan: Omgivningsljusstyrkan ändras från ljus till mörk: Om omgivningsljusstyrkan är lägre än det aktuella lux-värdet i 10s tänds ljuset automatiskt efter 10 s. (Lysdioden är tänd i 10 s som indikering) Omgivningsljusstyrkan ändras från mörk till ljus: Om omgivningsljusstyrkan kontinuerligt överskrider fränkopplings-lux-värdet i 5 min beror reaktionen på det inställda tidsvärdet. Vid tidsinställningen  $\geq$  5min släcks ljuset automatiskt efter 5 min. Vid en tidsinställning < 5 min släcks ljuset automatiskt när den inställda tiden har nåtts förutsatt att inga rörelser detekteras under de 5 min. Men om rörelse detekteras inom de 5min nollställs tiden och ljuset stängs av efter 5 min.

### 4.3 Ledningsdragning



#### RISK FÖR ELEKTRISK STÖT

Det finns farlig spänning på anslutningsplintarna.  
• För att undvika personskador ska man koppla bort strömmen till strömförsörjningskretsen och märka upp den före installationen.  
• En automatsäkring (250 V AC, 10 A) av typ C måste installeras enligt EN60898-1.

Åtföljs inte dessa instruktioner kommer allvarliga till livshotande personskador att inträffa.

#### 4.3.1 CCT551023 för standardtillämpningar (se FIG.5)

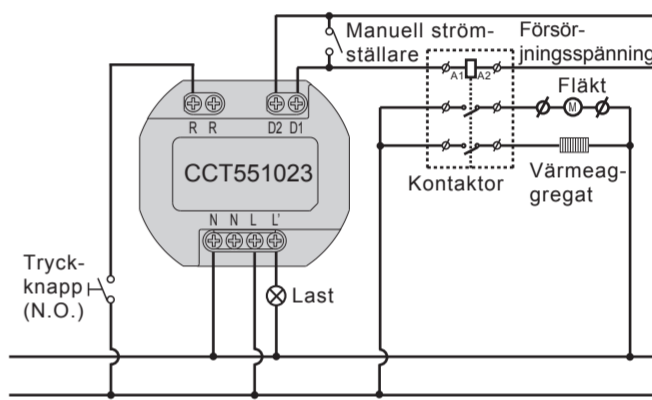


FIG.5

#### 4.3.2 CCT551023 styr timern i trappan (Tid1 ska ställas in på $\sqrt{ts}$ ) (se FIG.6)

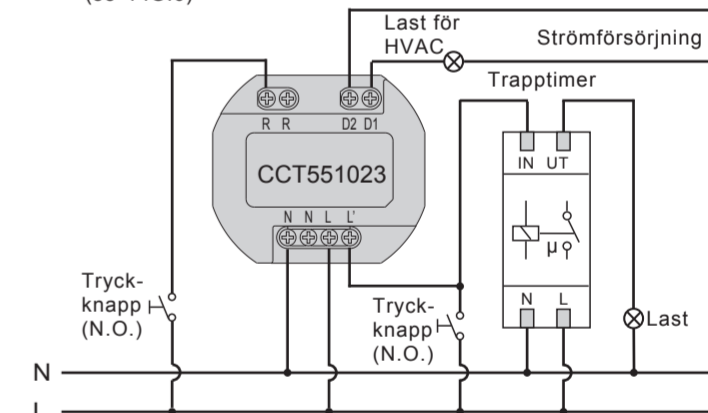


FIG.6

### 4.4 Installationsprocedur

#### 4.4.1 Infäld montering med kopplingsdosa av europeisk standard

4.4.1.1 Ta av detektorns dekorativa ram, lossa sedan detektorns huvud från plintlådan genom att skruva loss dess 4 integrerade skruvar (se FIG.7).

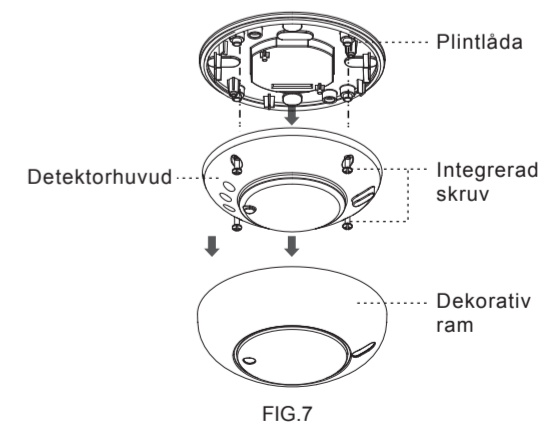


FIG.7

4.4.1.2 Dra ut AC-strömkablarna ur kopplingsdosan av europeisk standard, skala sedan av 6 - 8 mm av ledningshöljet för anslutningen (se FIG.8).

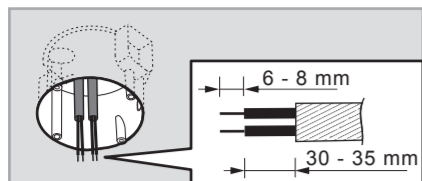


FIG.8

4.4.1.3 Montera plintlådan i kopplingsdosan av europeisk standard med 2 skruvar (se FIG.9).

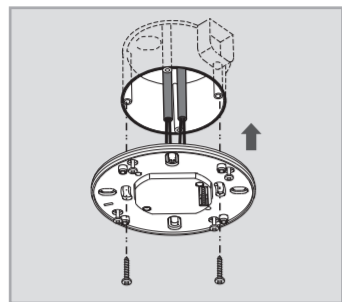


FIG.9

4.4.1.4 Fixera detektorns huvud på plintlådan genom att sticka in dess fyra integrerade skruvar i skruvhålen. Sätt sedan dit den dekorativa ramen (se FIG.7).

4.4.1.5 Återställ strömförsörjningen.

4.4.2 Infälld montering med plintskyddslock

4.4.2.1 För att installera detektorn måste man borra ett hål med diameter 65 mm i takskivan och låta strömkabeln sticka ut. Skala av 6 - 8 mm av ledningshöljet för den efterföljande anslutningen (se FIG.10).

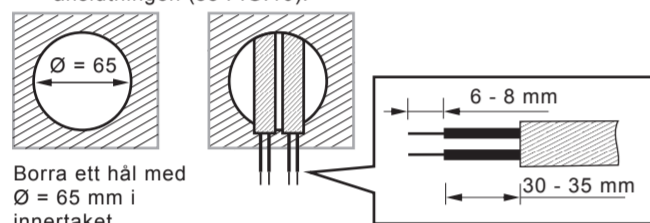


FIG.10

4.4.2.2 Använd en skruvmejsel för att bryta gummipackningen i plintskyddslocket, dra sedan kablarna genom locket (se FIG.11).

4.4.2.3 Se FIG.5 - FIG.6 för korrekt ledningsdragning och skruva sedan fast plintskyddslocket ordentligt.

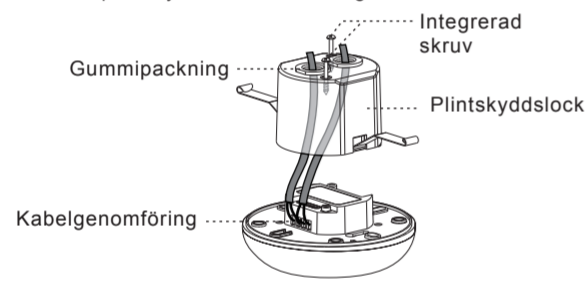


FIG.11

4.4.2.4 Stäng detektorns två fjädrande klämmor och stick in detektorn i det borrade hålet i taket (se FIG.12).

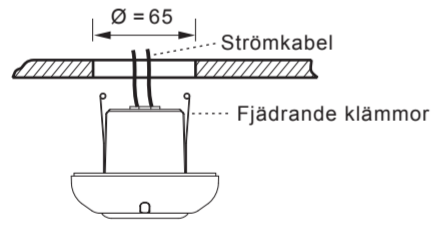


FIG.12

4.4.2.5 Återställ strömförsörjningen.

4.4.3 Utanpåliggande montering med kopplingsdosa

4.4.3.1 Det finns 4 par av hålanvisningar på kopplingsdosan med avstånd från 41 mm till 85 mm för olika monteringslämpningar (se FIG.13-A). Välj två likadana värden på båda sidor för rätt monteringsavstånd (se FIG.13-B).

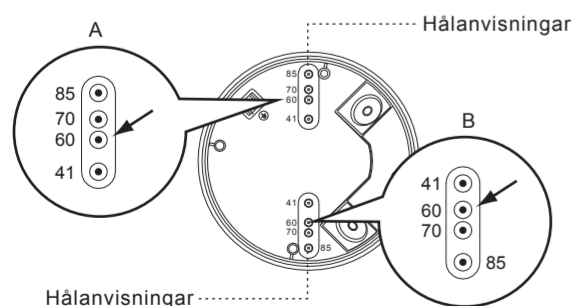


FIG.13-A

| NO. | A  | B  | Avstånd mellan A och B |
|-----|----|----|------------------------|
| 1   | 41 | 41 | 41 mm                  |
| 2   | 60 | 60 | 60 mm                  |
| 3   | 70 | 70 | 70 mm                  |
| 4   | 85 | 85 | 85 mm                  |

FIG.13-B

4.4.3.2 För att dra AC-strömkablarna genom kopplingsdosans sida använder man en tång och bryter bort hålanvisningarna för kabelgenomföring på sidan av kopplingsdosan. Sedan sticker man in kablarna i kopplingsdosan och drar igenom dem. Skala av 6 - 8 mm av ledningshöljet för den efterföljande anslutningen (se FIG.14).

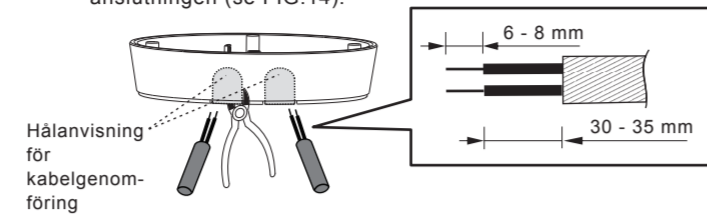


FIG.14

4.4.3.3 Välj lämpliga hålanvisningar för att montera kopplingsdosan på takskivans yta med de 2 träskruvarna som hålls fast med gummbrickor (se FIG.15).

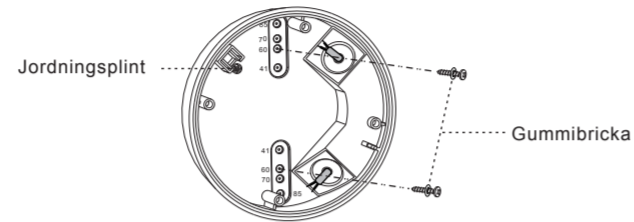


FIG.15

4.4.3.4 Sätt in de 4 integrerade skruvarna i skruvhålen på detektorns montageplatta; de 4 skruvarna kan inte falla ur vilket underlättar efterföljande installationer (se FIG.16).

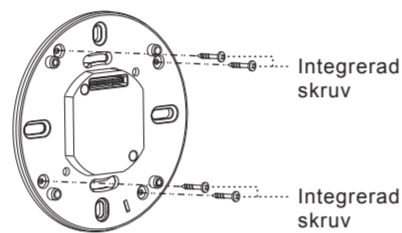


FIG.16

4.4.3.5 Se avbildade kopplingsdiagram för korrekt anslutning (se FIG.5 - FIG.6). Det finns ett fyrkantigt hål i montageplattan. Passa in det fyrkantiga hålet över kopplingsdosans utstickande flik (se FIG.17) när montageplattan sätts in i kopplingsdosan. Montera sedan fast detektorhuvudet på plintlådan enligt FIG.9 genom att skruva ihop dem med de 4 integrerade skruvarna.

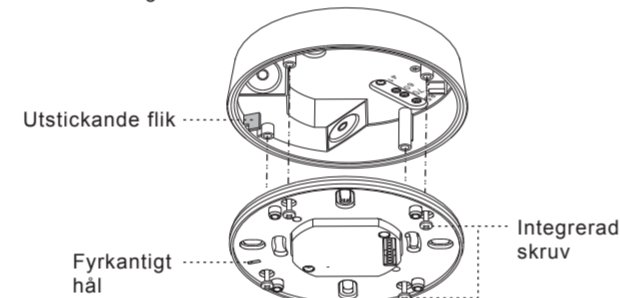


FIG.17

4.4.3.6 Sätt dit detektorns dekorativa ram och återställ strömförsörjningen.

## 5 ANVÄNDNING OCH FUNKTION

### 5.1 Inställning av vridknappar för meter, lux och tid

| Vridknapp (Ex-fabriksinställning) | Funktion | Vridknappsinställning                               |
|-----------------------------------|----------|---|
|                                   | Meter    | Ställ in detektorns känslighet                      |
|                                   | Lux      | Ställ in ljusstyrkan för tillkoppling av lasten     |
|                                   | Tid/Tid1 | Fördröjningstid för fränkoppling av belysning       |
|                                   | Time2    | Ställ in fördröjningstiden för fränkoppling av HVAC |

### 5.2 Lux-inlärningsfunktion med vridknapp

Inlärningsprocedur:

- 5.2.1 Vrid vridknappen till "☞" när omgivningsljusstyrkan överensstämmer med det önskade värdet (se FIG.18-A).
- 5.2.2 Om vridknappen var inställd på "☞" ska den vridas till ett annat läge som är mer än 1 s, sen går den tillbaka till "☞" (se FIG.18-B).
- 5.2.3 Sedan är lasten fränkopplad. Lysdioden börjar blinka långsamt för att indikera att den växlar till inlärningsläget. Inlärningen är avslutad inom 25 sekunder. Efteråt är lysdioden och lasten tillkopplade i 5 s eller så blinkar lysdioden snabbt i 5 s och lasten är fränkopplad för att bekräfta att inlärningen lyckades (se FIG.18-C).
- 5.2.4 Efter inlärningsproceduren återgår detektorn till AUTO-läget med lysdioden och lasten fränkopplade.

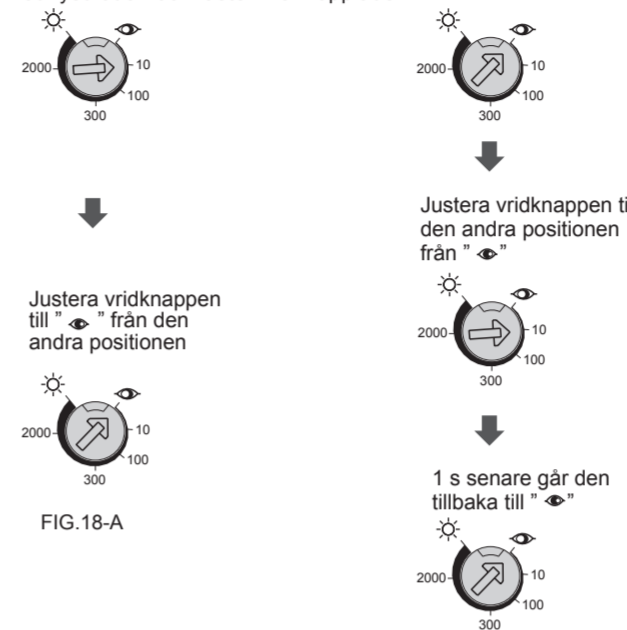


FIG.18-A

FIG.18-B



Detektor växlar till AUTO-läge

FIG.18-C

### 5.3. Gångtest (lux gäller ej)

Syftet med gångtestet är att kontrollera och ställa in detekteringssträckvidden.

Testprocedurer:

- 5.3.1 Testpersonen måste befinna sig inom detekteringsområdet.
- 5.3.2 Slå på strömmen.
- 5.3.3 Detektorn behöver ca 30s för att värma upp med last och lysdioden är tillkopplad. Stäng sedan av efter uppvärmningstiden.
- 5.3.4 Gå snabbt förbi eller emot detekteringsområdet utifrån tills lysdioden och lasten tillkopplas i 2s (se FIG.19).
- 5.3.5 Inställning av Meter-vridknappen för önskad detekteringssträckvidd.

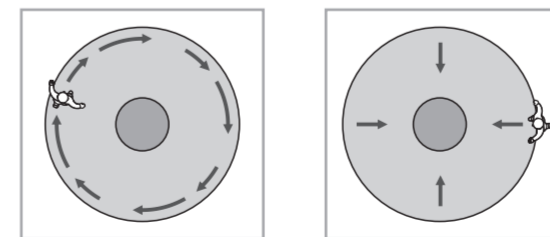


FIG.19

## 6 FELSÖKNING

Om detektorn inte fungerar som den ska, var god och se efter bland problemen och lösningarna i nedanstående tabell. Förhoppningsvis löser det problemet.

| Problem                                | Möjlig orsak   | Föreslagen lösning  |
|--|--|---|
| Lysdioden tänds inte                   | 1. Strömförsörjning saknas.<br>2. Felaktig ledningsdragning.               | 1. Slå på strömmen.<br>2. Anslut lasten enligt angivna kopplingsdiagram (se FIG.5 - FIG.6).   |
| Belysning tänds inte                   | 1. Felaktig ledningsdragning.<br>2. Fel på lasten/förbrukaren.             | 1. Anslut lasten enligt angivna kopplingsdiagram (se FIG.5 - FIG.6).<br>2. Ersätt den trasiga förbrukaren.  |
| Belysning släcks inte                  | 1. Detektorn detekterar yttre störningar.<br>2. Felaktig ledningsdragning. | 1. Håll dig på avstånd från detekteringsområdet för att undvika att detektorn aktiveras under testet.<br>2. Anslut lasten enligt angivna kopplingsdiagram (se FIG.5 - FIG.6). |
| Aktiveras på grund av yttre störningar | 1. Reflexiva metalliska material.<br>2. Vibrationer på installationsytan.  | 1. Kontrollera om detektorn är riktad mot reflexiva metalliska material.<br>2. Kontrollera om detektorn är monterad på en yta som vibrerar.                                   |

## 7 TILLBEHÖR ATT BESTÄLLA

7.1 Vi rekommenderar att man köper den tillhörande IR-fjärrkontrollen (art.nr CCT556023) för enkel och säker inställning av detektorn.

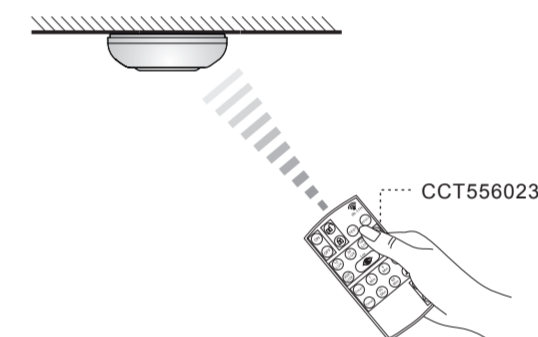


FIG.22

Schneider Electric Industrie SAS

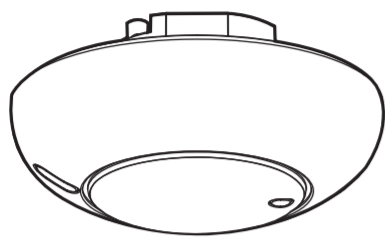
Vid tekniska frågor, var god kontakta kundservicecentret i ditt land. [schneider-electric.com/contact](http://schneider-electric.com/contact)

## BRUKERHÅNDBOK

**ARGUS Nærværddetektor**  
**Høyfrekvent for High Bay - 2 kanaler**

 Art. nr.  
 CCT551023

# ARGUS



## INSTRUKSJONSVEILEDNING

### TEKNISKE SPESIFIKASJONER

|  |   |   |  |
|--|---|---|--|
| Merkespenning                                | 220 V - 240 V ~ 50/60 Hz  |   |  |
| Forbruker                                    | Forbruk I (L') for lys: $\mu$   |   |  |
|  | Glødelampe:   | Maks. 2000 W                              |  |
|  | HV-halogenlamper:   | Maks. 1000 W                              |  |
|  | LV-halogenlamper:<br>Lysrør:  | Maks. 1000 VA<br>Maks. 900 VA             |  |
| LED-lampe:                                   | Maks. 100 W   |   |  |
|  | Energisparende lampe (CFL):   | Maks. 100 W                               |  |
| Forbruk II (D1-D2) for VVS (Lux er ugyldig): | Reléeffekt:   | Maks. 5 A ( $\cos\phi = 1$ ),<br>250 V AC |  |
|  | Motorlast:  | Maks. 100 W                               |  |
|  | Frekvens  | 5,8 GHz                                   |  |
| Registreringsvinkel                          | 360°  |   |  |
| Detektorrekkevidde                           | Justerbar opptil $\varnothing$ 14 m (H = 2,5 - 5 m)   |   |  |
|  | Justerbar opptil $\varnothing$ 10 m (H = 5,5 - 10 m)  |   |  |
| Tilpasning av automatisk av-tid              | Tid 1 (for belysning): Innstillbar fra ca. 10 sek til 30 min, test & $\int_{ts}$  |   |  |
|  | Tid 2 (for VVS): Innstillbar fra ca. 10 sek til 60 min  |   |  |
| Lux-tilpasning                               | Justerbar fra ca. 10 Lux til $\infty$ og « $\bullet$ » (læreområde: 10 Lux - 2000 Lux)                                      |   |  |
| Miljøbeskyttelse                             | Klasse II<br>IP40 (Innfelt med strømbokshette og europeisk standard koblingsboks)<br>IP52 (Overflatemontert i koblingsboks) |   |  |

### Sikkerhetsadvarsel

#### FARE FOR ELEKTRISK STØT, EKSPLOSJON ELLER OVERTENNING

Sikker elektrisk installasjon skal kun utføres av fagpersoner. Fagpersoner må bevise inngående kjennskap innen følgende områder:

- Tilkobling av installasjonsnettverk
- Tilkobling av flere elektriske enheter
- Legging av elektriske kabler
- Sikkerhetsstandarder, lokale regelverk og forskrifter
- Klipp av inngangskretsen og merk den før du får tilgang til ledningsforbindelsene.

**Manglende etterfølgelse av disse instruksjonene vil resultere i død eller alvorlig personskade.**

## 1 PAKKEINNHold

|         |          |                               |        |
|---------|----------|-------------------------------|--------|
| Mønster |          |                               |        |
| Produkt | Detektor | Skrue $\varnothing$ 3 x 16 mm | Manual |
| Antall  | 1        | 2                             | 1      |

|         |            |                               |                                    |                |
|---------|------------|-------------------------------|------------------------------------|----------------|
| Mønster |            |                               |                                    |                |
| Produkt | Ko-blings- | Skrue $\varnothing$ 3 x 15 mm | Treskrue $\varnothing$ 4 x 25,4 mm | Strømbokshette |
| Antall  | 1          | 4                             | 2                                  | 1              |

### Tilleggsutstyr for valgfritt kjøp

|         |                            |
|---------|----------------------------|
| Mønster |                            |
| Produkt | IR-fjernkontroll CCT556023 |
| Antall  | 1                          |

## 2 PRODUKTBEskrivelse

### 2.1 Funksjoner

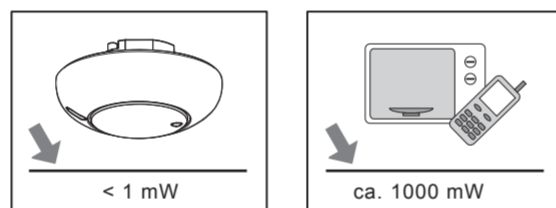
- Kan monteres i høyde opptil 10 m, ideell for bygninger med høyt tak, for eksempel lager, gymsal, osv.
- Høy følsomhet for å detektere hver minste bevegelse.
- Følsomheten endres ikke om bevegelsen skjer over eller mot detektoren.
- Kraftig kretsdesign for å kontrollere alle typer lamper.
- En lyssensor er innebygd for å stille inn ønsket lysnivå for å slå på kontrollert belysning automatisk, til riktig tid, for å maksimere energibesparelser og spare mer av strømregningen.

- Diverse monteringsmetoder, inkludert tak-innfelt med fjærklemme-strømbokshette direkte eller i kombinasjon med den eksisterende europeiske standard koblingsboksen og takflate montert med koblingsboksen.
- Bortsett fra de angitte Lux-verdiene, kan lysnivået leses inn enten ved IR eller bryter som terskelen for å slå på/av forbruk for mer fleksibel anvendelse.
- En tilleggsfunksjon for å manuelt slå på/av det kontrollerte forbruker er mulig ved å koble til en trykknappbryter.
- IR-fjernkontroll er tilgjengelig valgfritt for enkle og raske innstillinger

### 2.2 Karakteristikk for høyfrekvent nærværddetektor

- 2.2.1 Høyfrekvens-sensoren er i stand til å trenge inn i ikke-metalliske materialer slik som treverk, murvegg, glass, etc., men den kan ikke trenge inn i vann og metall.
- 2.2.2 Den høyfrekvente nærværddetektoren har høy pålitelighet og rekkevidden er mindre påvirket av temperatur, luftmengde, vind, etc.
- 2.2.3 Fuktighet, vibrasjoner, samt måling av bevegelig objekt kan svekke ytelsen til den høyfrekvente detektoren.
- 2.2.4 Detektoren er mer følsom for bevegelse i forskjellig hastighet som fører til større rekkevidde, og er mindre følsom for bevegelse i samme hastighet, og derfor kan overvåkningsrekkevidden reduseres.
- 2.2.5 Det kan lett bli falsk utløst på grunn av sin sterke gjennomtrengelighet av ikke-metalliske materialer og høye følsomhet. Man bør være forsiktig når man velger plassering av detektoren.

Den høyfrekvente utgangseffekten av radar-modulen er &lt; 1 mW; bare ca. 0,1 % av sendeeffekten til en mobiltelefon eller utgangseffekten til en mikrobølgeovn.



## 3 DIMENSJON

- $\varnothing$  107 x 50 mm

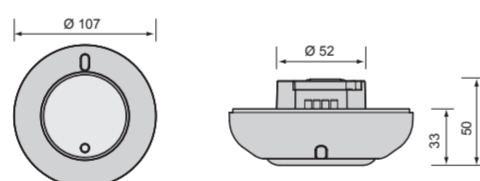


FIG.1-A

- Detektor med strømbokshette (for valgfritt kjøp)

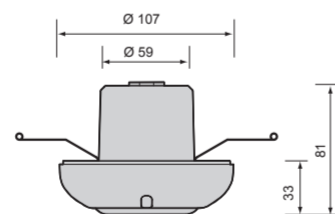


FIG.1-B

- Detektor med koblingsboks (for valgfritt kjøp)

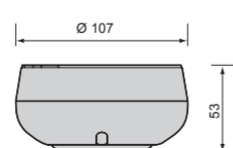


FIG.1-C

## 4 INSTALLASJON OG LEDNINGER

### 4.1 Velg en passende plassering

#### 4.1.1 Detektordekning

| Installasjonshøyde | Detektorrekkevidde  |                     |
|--------------------|---------------------|---------------------|
|                    | Målerknapp satt «+» | Målerknapp satt «-» |
| H = 2,5 - 3,5 m    | $\varnothing$ 14 m  | $\varnothing$ 2 m   |
| H = 4 - 5 m        | $\varnothing$ 14 m  | /                   |
| H = 5,5 - 10 m     | $\varnothing$ 10 m  | /                   |

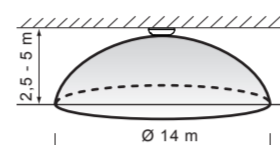


FIG.2-A

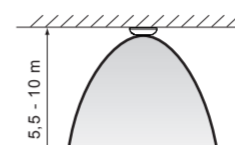


FIG.2-B

#### 4.1.2 Nyttige tips ved installering

For detektorens gjennomtrengning av ulike materialer, se tabellen under:

| Materiale   | Gjennomtrengning   | Demping     |
|-------------|--|-------------|
| PVC & plast | Ja   | 5 % - 10 %  |
| Treverk     | Ja   | 10 % - 20 % |
| Glass       | Ja, de ulike tykkelsene på glass kan resultere i forskjellig demping | 15 % - 30 % |
|             | Ja, mursteinsvegg med tykkelse mindre enn 30 cm                      | 60 % - 70 % |
| Mur         | Nei, mursteinsvegg med tykkelse over 30 cm                           | 100 %       |
|             | Armert betong  | Nei         |
| Metall      | Nei  | 100 %       |

#### 4.1.3 Ved montering av detektor i taket

Oppbevar detektoren minst 4 m (B) bort fra vegger som er i tre, glass- eller mursteinsmateriale som har tykkelse mindre enn 30 cm (A) eller 1 m (B) bort fra veggen som har tykkelse over 30 cm (A). Brukere kan også justere målerknappen for å redusere følsomhet og dekning, som kan unngå at den feilutløses når folk passerer utenfor veggen.

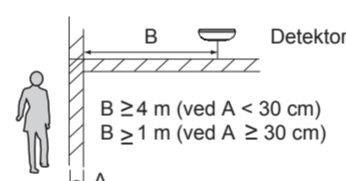


FIG.3

- #### 4.1.4 Gjennomstrømming av vann i vannrør kan utløse HF-detektoren. Det anbefales å holde detektoren unna vannrør. Bruk følgende retningslinjer for å unngå unødvendig trigging.

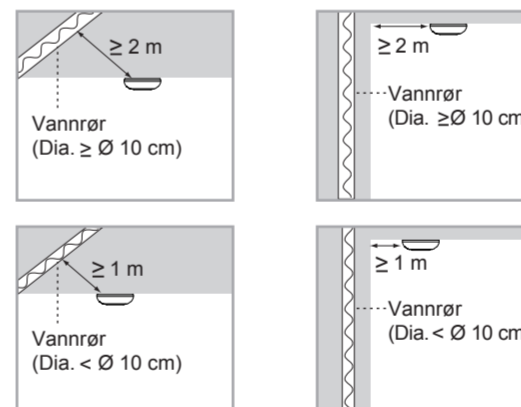


FIG.4

### 4.2 Funksjon

#### 4.2.1 Funksjonen til R-terminalen

- 4.2.1.1 R-klemme og trykknapp (N.O.) kan seriekobles for å aktivere nianucolly på/av-kontroll på forbruker. (tilfelle 1: på  $\rightarrow$  av; tilfelle 2: av  $\rightarrow$  på). Mens du holder inne knappen ( $\leq$  1 sek): Vær oppmerksom på at denne funksjonen er ugyldig når belysningen (detektoren) er i På 8 timer & Av 8 timer-modus, satt av IR-fjernkontroll.

Tilfelle 1: Slå av manuelt (Lux-innstillinger er ugyldig):

 Dersom lyset er i henhold til på-modus, kan det slås av manuelt. Hvis lyset slås av manuelt ved å trykke på ( $\leq$  1 sek) trykknappen (aktiverer manuell av-modus), holder det seg av selv om detektoren utløses. Hvis rommet står tomt i en lengre periode (tiden for koblingsforsinkelse utløpt), blir den manuelle av-statusen (= manuell av-modus) deaktivert, og detektoren vil gå tilbake til den siste innstillingsmodusen før manuell av-modus.

Hvis enheten er i manuell av-modus, vil trykknappen aktivere manuell på-modus andre gangen du trykker på den.

Tilfelle 2: Slå på manuelt (Lux-innstillinger er ugyldig):

 Dersom lyset er i henhold til av-modus, kan det slås på manuelt. Hvis lyset slås på manuelt ved å trykke på ( $\leq$  1 sek) trykknappen (aktiverer manuell på-modus), holder det seg på dersom detektoren utløses hele tiden, og den slår seg av når ingen bevegelse registreres og bryterens tid for koblingsforsinkelse utløper, og detektoren vil gå tilbake til den siste innstillingsmodusen før manuell av-modus. Hvis enheten er i manuell på-modus, vil den andre gangen du trykker på trykknappen aktivere manuell av-modus.

#### 4.2.2 Lysavgrensning

I henhold til det skiftende omgivelseslyset, kan detektoren utsette forbrukers forsinkelsestid til å slå på og av for å unngå at forbrukeren slår seg på uten nødvendig: Omgivelseslysnivå skifter fra lys til mørk: Hvis omgivelseslyset holder seg under innstilt Lux-verdi i 10 sekunder, vil lyset slås automatisk på etter 10 sekunder.

(For indikasjon vil LED være på i 10 sek)

 Omgivelseslysnivå skifter fra lys til mørk: Hvis lysnivået kontinuerlig overstiger bryterens Lux-verdi i 5 min, er det forskjellige reaksjoner i henhold til verdien til tidsinnstillingen. Tidsinnstilling  $\geq$  5 min, lyset vil slås automatisk av etter 5 min.

Tidsinnstilling &lt; 5 min, lyset vil slås av automatisk når den innstilte tiden nås hvis ingen bevegelse er oppdaget i løpet av de 5 minuttene. Men hvis det er registreres bevegelse innen de 5 min, vil tiden bli nullstilt ved registrering og inntil 5 min senere blir lyset slått av.

### 4.3 Kabeltrekking

#### FARE FOR ELEKTRISK STØT

#### FARE FOR ELEKTRISK STØT

- Det er farlig høyspenning på klemmene.
- For å unngå skader, sperr av og merk forsyningskretsen før installasjon.
- En kretsbyter (250 V AC, 10 A) Type C må installeres i henhold til EN60898-1.

**Manglende etterfølgelse av disse instruksjonene vil resultere i død eller alvorlig personskade.**

#### 4.3.1 CCT551023 for standardapplikasjon (Se. FIG.5)

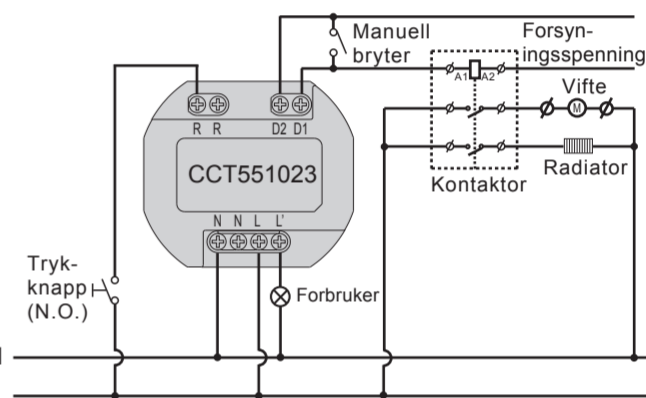


FIG.5

#### 4.3.2 CCT551023 styrer trappebelysningstimeren (Tid1 skal være innstill på $\int_{ts}$ ) (Se. FIG.6)

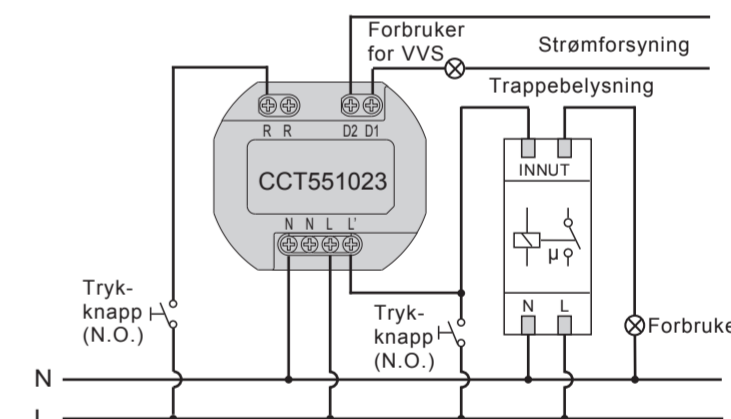


FIG.6

### 4.4 Installasjonsprosedyre

#### 4.4.1 Innfelling med europeisk standard koblingsboks

- 4.4.1.1 Ta pynterammen av detektoren, deretter ta detektorhode og koblingsboksen fra hverandre ved å løsne de fire skruene. (Se FIG.7).

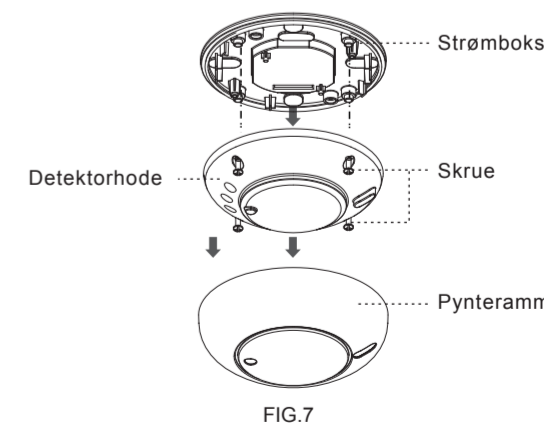


FIG.7

- 4.4.1.2 Trekk ut AC-strømkabler fra europeisk standard koblingsboks, dra deretter av 6 - 8 mm kabelhylse for kabeltrekking (se FIG.8).

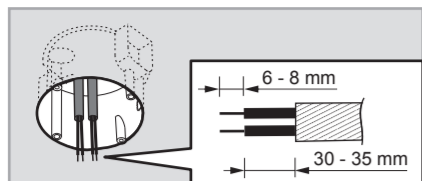


FIG.8

- 4.4.1.3 Fest strømboksen til europeisk standard koblingsboks med 2 stk skruer (se FIG.9).

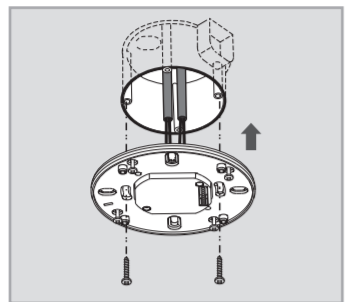


FIG.9

- 4.4.1.4 Fest detektorhodet på strømboksen ved å sette inn de fire skruene i de tilsvarende skruenhullene, og dekk deretter til den dekorative rammen (se FIG.7).

- 4.4.1.5 Gjenopprett strømforsyningen.

- 4.4.2 Innfelt med strømbokshette

- 4.4.2.1 For å installere detektoren, kan du bore et hull med diameter på 65 mm i taket bord og holde strømledningen på utsiden. Vennligst dra av 6 - 8 mm kabelhylse for kabeltrekking (se FIG.10).

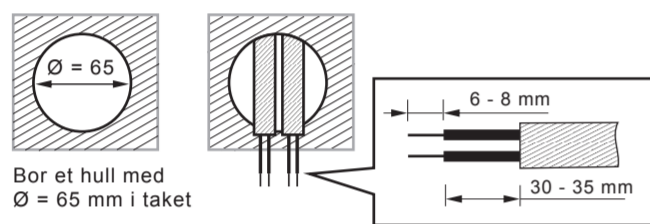


FIG.10

- 4.4.2.2 Bruk en skrutrekker til å bryte gummipakningen på strømbokshetten, dra så kablene gjennom det (se FIG.11).

- 4.4.2.3 Vennligst referer til illustrasjon FIG.5 - FIG.6 for riktig kabling og skru deretter strømboksen stramt til.

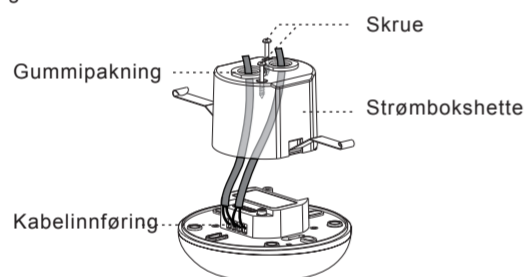


FIG.11

- 4.4.2.4 Legg sammen detektorens to fjærklemmer og sett inn detektoren i hullet i taket (se FIG.12).

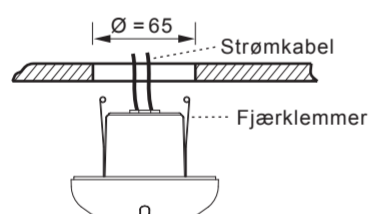


FIG.12

- 4.4.2.5 Gjenopprett strømforsyningen.

- 4.4.3 Utenpåliggende montering med koblingsboks

- 4.4.3.1 Det er 4 par utslagbare blinddeksler med ulik avstand fra 41 mm til 85 mm på koblingsboksen, som kan brukes til ulike monteringsapplikasjoner (se FIG.13-A). Velg to av samme tall på begge sider for tilsvarende avstand for festing (se FIG.13-B).

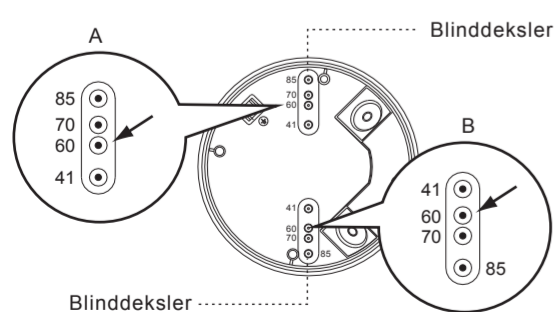


FIG.13-A

| NR. | A  | B  | Avstanden mellom A og B |
|-----|----|----|-------------------------|
| 1   | 41 | 41 | 41 mm                   |
| 2   | 60 | 60 | 60 mm                   |
| 3   | 70 | 70 | 70 mm                   |
| 4   | 85 | 85 | 85 mm                   |

FIG.13-B

- 4.4.3.2 For å dra AC-strømkabler gjennom siden av koblingsboksen, kan du bruke klippetang til å bryte kabelgjennomføringene på siden av koblingsboksen, og den deretter kablene inn i koblingsboksen gjennom den. Fjern 6-8 mm med kabelhylse for kabeltrekking (Se FIG.14).

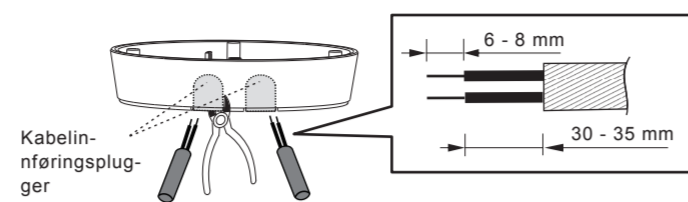


FIG.14

- 4.4.3.3 Velg passende blindplugg for å feste koblingsboksen på overflaten av takbordet med 2 stk treskruer festet med gummiskive (se FIG.15).

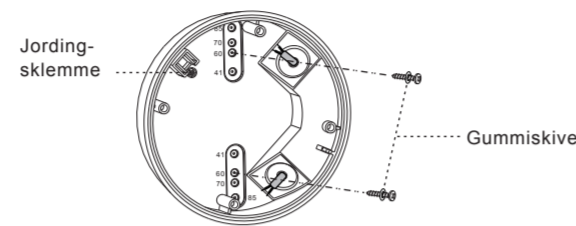


FIG.15

- 4.4.3.4 Sett 4 stk skruer i de tilhørende skruenhullene på detektorens festeplate, de 4 skruene vil ikke løse for å gjøre etterfølgende installasjoner enklere (se FIG.16).

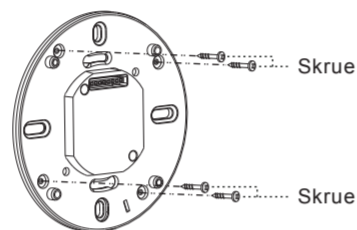


FIG.16

- 4.4.3.5 Se koblingsskjemaer for korrekt kabeltilkobling (Se FIG.5 - FIG.6). Det er et firkantet hull i festeplaten når du legger festeplaten inn i koblingsboksen. Vennligst tilpass fillister til koblingsboksens utstikk (se FIG.17), og deretter fiks detektorhodet på strømboksen ved å følge FIG.9 og monter dem med de vedlagte 4stk skruene.

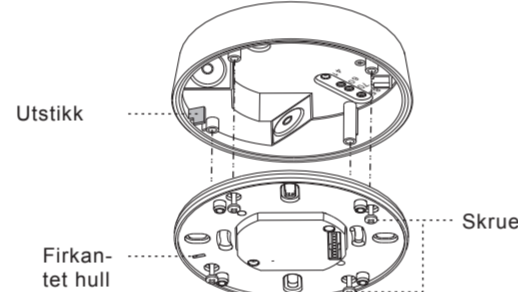


FIG.17

- 4.4.3.6 Dekk til detektorens pynteramme og gjenopprett strømforsyningen.

## 5 DRIFT OG FUNKSJON

### 5.1 Innstilling av Måler-, Lux- og Tid-knapper

| Knapp (eks-fabrik-) | Funksjon                                       | Knappinnstilling   |
|---------------------|--|--|
|                     | Still inn detektorens følsomhet                | Rekkevidde: Innstillbar fra «-» (ca. Ø 4 m) Til «+» (ca. Ø 14 m). Referer til 4.1.1.   |
|                     | Still inn lysverdi for innkobling av forbruker | Rekkevidde: Innstillbar fra ca. 10 Lux to «☀» (∞).<br>☀ (lære): Det faktiske omgivelseslysnivået (10 Lux - 2000 Lux) kan leses inn.  |
|                     | Koblingsforsinkelsestid for belysning          | Rekkevidde: Innstillbar fra ca. 10 sek til 30 min<br>Test : Testmodus (forbruker og rød LED vil være på i 2 sek og av i 2 sek)<br>☀ : Kort pulsmodus for trappelysningstimer (Forbruk vil være på 1 sek og 9 sek av) |
|                     | Still inn koblingsforsinkelsestid for VVS      | Rekkevidde: Innstillbar fra ca. 10 sek til 60 min  |

### 5.2 Lux lærefunksjon med knapp

#### Læringsprosedyre:

- 5.2.1 Juster vriknappen til «☀» når omgivelseslyset samsvarer med ønsket verdi (se FIG.18-A).
- 5.2.2 Når knappen er satt til «☀» opprinnelig, bør den justeres til annen stilling mer enn 1sek, og deretter gå tilbake til «☀» (se FIG.18-B).
- 5.2.3 Forbruk er av. Langsom blinking av LED indikerer at den går inn i læremodus. Læring vil være ferdig innen 25 sekunder. Etterpå vil LED og forbruk være på 5 sek, eller LED vil blinke raskt i 5 sek og forbruk er avslått for å bekrefte vellykket læring (Se FIG.18-C).
- 5.2.4 Etter å ha lært prosedyren, returnerer detektoren til AUTO-modus mens LED og forbruk er av.

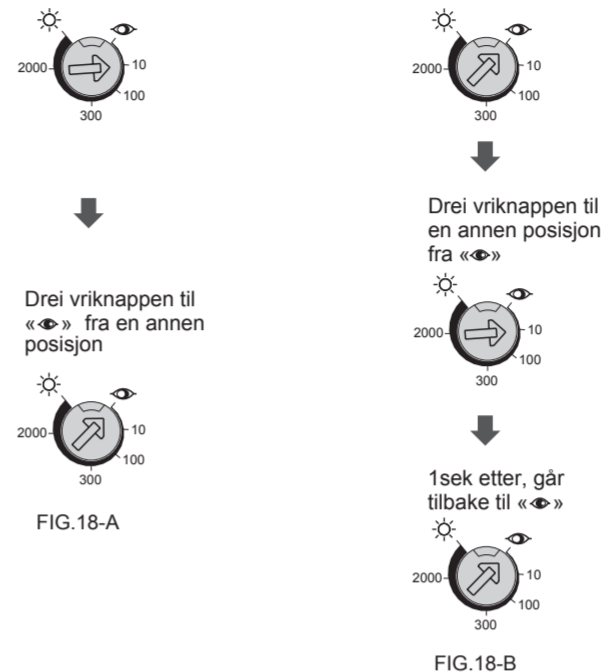
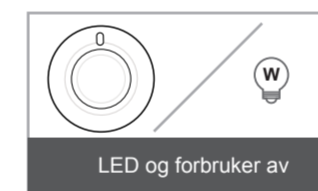
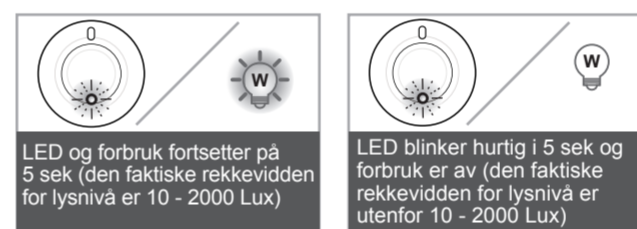


FIG.18-A

FIG.18-B



Detektoren går over til AUTO-modus

FIG.18-C

### 5.3. Bevegelsestest (Lux er ugyldig)

Formålet med å gjennomføre bevegelsestesten er å kontrollere og justere deteksjonsdekningen.

#### Testprosedyrer:

- 5.3.1 Tester må gjøres innenfor deteksjonsdekningen.
- 5.3.2 Slå på strømmen.
- 5.3.3 Detektoren bruker ca. 30 sek å varme opp med forbruker og LED holder seg på, og slår seg deretter av etter oppvarmingstiden.
- 5.3.4 Gå fra utsiden over eller mot området med deteksjonsdekning inntil LED og forbruker slås på i 2 sek (Se FIG.19).
- 5.3.5 Justere Måler-knapp for ønsket rekkevidde.

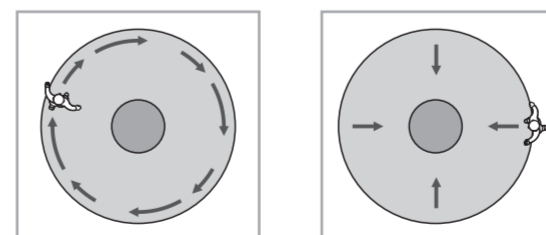


FIG.19

## 6 FEILSØKING

Når detektoren ikke virker som den skal, sjekk vanlige problemer og foreslåtte løsninger i tabellen under, forhåpentligvis vil dette hjelpe med å løse problemet.

| Problem                             | Mulig årsak   | Foreslått løsning   |
|-------------------------------------|---|---|
| LED slår seg ikke på                | 1. Ingen strømforsyning.<br>2. Feil kabling.                                    | 1. Skru på strømmen.<br>2. Koble til forbruker ved å følge koblingsskjemaene (se FIG.5 - FIG.6).  |
| Belysningseenheten slår seg ikke på | 1. Feil kabling.<br>2. Defekt forbruker.  | 1. Koble til forbruker ved å følge koblingsskjemaene (se FIG.5 - FIG.6).<br>2. Bytt ut defekt forbruker med en ny.  |
| Belysningseenheten slår seg ikke av | 1. Detektoren trigges unødvendig.<br>2. Feil kabling.                           | 1. Hold deg unna detektorens rekkevidde mens du gjør testen for å unngå aktivisering av detektor.<br>2. Koble til forbruker ved å følge koblingsskjemaene (se FIG.5 - FIG.6). |
| Unødvendig trigging                 | 1. Reflekterende metalliske materialer.<br>2. Vibrasjon på installeringsflaten. | 1. Sjekk om detektoren er rettet mot eventuelle reflekterende metalliske materialer.<br>2. Sjekk om detektoren er montert på vibrasjonsflaten.                                |

## 7 VALGFRITT TILBEHØR

- 7.1 Det anbefales sterkt å kjøpe den tilhørende IR-fjernkontrollen (art. nr. CCT556023) for enkel og trygg drift av detektoren.

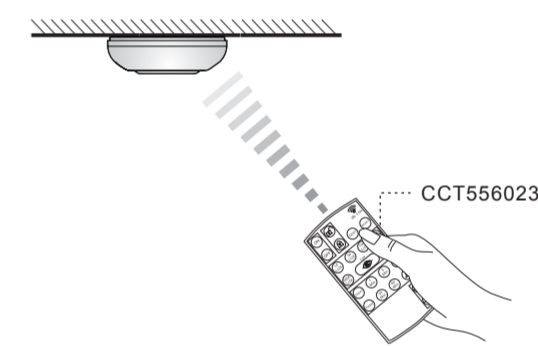


FIG.22

Schneider Electric Industrie SAS

Ta kontakt med kundesenteret i ditt land hvis du har tekniske spørsmål. [schneider-electric.com/contact](http://schneider-electric.com/contact)

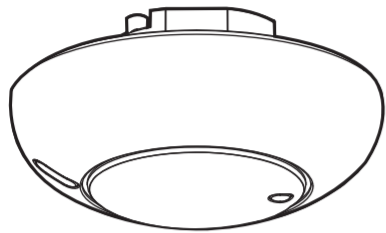


## KÄYTTÖOPAS

ARGUS-läsnäolotunnistin  
Suurtaajuus High Bay - 2 kanavaa

Tuotenro  
CCT551023

# ARGUS



## KÄYTTÖOPAS

| TEKNISET TIEDOT               |  |
|-------------------------------|--|
| Nimellisjännite               | 220 V - 240 V~ 50/60 Hz  |
| Kuorma                        | Kuorma I (L) valaistukselle: $\mu$<br>Hehkulamppu: enint. 2000 W<br>Suurjännite-halogeenilamppu: enint. 1000W<br>Pienjännite-halogeenilamppu: enint. 1000 VA<br>Loistelamppu: enint. 900 VA<br>LED-lamppu: enint. 100 W<br>Energiansäästö-lamppu (CFL): enint. 100 W<br>Kuorma II (D1-D2)<br>HVAC:lle (luksi on ei toimi):<br>Releluokitus: enint. 5 A ( $\cos\phi = 1$ ),<br>250 V AC<br>Moottorin kuorma: enint. 100 W |
| Taajuus                       | 5,8 GHz  |
| Tunnistuskulma                | 360°   |
| Tunnistusalue                 | Säädettävissä $\Phi$ 14 m saakka (H = 2,5 - 5 m)<br>Säädettävissä $\Phi$ 10 m saakka (H = 5,5 - 10 m)  |
| Automaattinen pois-ajan säätö | Aika 1 (valaistus): Säädettävissä n. välillä 10 s ja 30 min. Asetti ja Aika 2 (HVAC): Säädettävissä n. välillä 10 s ja 60 min.   |
| Luksisäättö                   | Säädettävissä n. välillä 10 luksia $\odot$ ( $\infty$ ) ja $\odot$ (opetusalue: 10 luksia - 2000 luksia)   |
| Ympäristön-suojelu            | Luokka II<br>IP40 (uppoasennus virtarasian kannen ja EU-vakioliitántärasian kanssa)<br>IP52 (pinta-asennus liitántärasian kanssa)  |

### Turvallisuusvaroitus

| ⚠️ ⚠️ VAARA   |  |
|---|--|
| <b>SÄHKÖISKUN, RÄJÄHDYKSEN TAI VALOKAAREN VAARA</b>   |  |
| Turvallisen sähköasennuksen saavat suorittaa vain pätevät ammattilaiset. Pätevillä ammattilaisilla täytyy olla perusteelliset tiedot seuraavilla alueilla:  |  |
| <ul style="list-style-type: none"> <li>asennusverkkoihin yhdistäminen</li> <li>useiden sähkölaitteiden yhdistäminen</li> <li>sähkökaapeleiden asentaminen</li> <li>turvallisuusstandardit, paikalliset johdotussäännöt ja määräykset</li> <li>tuolvirtapiiriin katkaisu ja sen merkintä ennen johdotusliitántöjä</li> </ul> |  |
| <b>Näiden ohjeiden noudattamatta jättämisen seurauksena on kuolema tai vakavia vammoja.</b>   |  |

## 1 PAKKAUKSEN SISÄLTÖ

|       |               |                                   |                             |
|-------|---------------|-----------------------------------|-----------------------------|
| Malli |               |                                   |                             |
| Kohta | Tunnistin     | Ruuvi $\Phi$ 3 x 16 mm            | Manuaalinen                 |
| Määrä | 1             | 2                                 | 1                           |
| Malli |               |                                   |                             |
| Kohta | Liitántärasia | Putoamaton ruuvi $\Phi$ 3 x 15 mm | Puuruuvi $\Phi$ 4 x 25,4 mm |
| Määrä | 1             | 4                                 | 2                           |
|       |               |                                   |                             |
|       |               |                                   | 1                           |

### • Lisävarusteet valinnaisille osille

|       |                                 |
|-------|---------------------------------|
| Malli |                                 |
| Kohta | Infrapuna-kaukosäädin CCT556023 |
| Määrä | 1                               |

## 2 TUOTTEEN KUVAUS

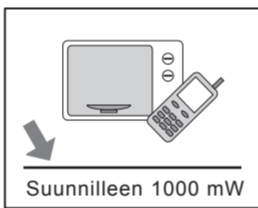
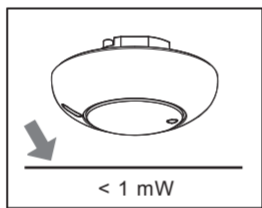
### 2.1 Ominaisuudet

- Voidaan asentaa enintään 10 m korkeudelle, soveltuu erittäin hyvin rakennuksiin, joissa korkea sisäkatto, kuten tavaratolat, urheiluhallit.
- Erittäin herkkä vähäisimpienkin liikkeiden tunnistus.
- Herkkyys ei muutu, vaikka liike on tunnistusalueen poikki tai sitä kohti.
- Voimakas virtapiiriimuotoilu kaikenlaisten lamppujen ohjaamiseen.
- Integroitu valontunnistusanturi halutun valaistuksen tason säätöä varten ohjatun valaistuksen automaattiseen päällekytkentään oikeaan aikaan energiansäästöjen maksimointia ja sähkökustannusten säästöä varten.
- Eriolaisia asennustapoja, mukaan lukien sisäkaton uppoasennus jousikiinnittimillä suoraan virtarasian kanteen tai yhdistettyinä olemassaolevaan EU-vakioliitántärasiaan ja sen pinta-asennukseen sisäkattoon.
- Ympäristön valaistustason voi säätää paitsi luksiarvoista, myös infrapunan tai nupin avulla kynnykseksi kuormien kytkentään päälle/pois sovelluksen joustavaa käyttöä varten.
- Ohjatun kuorman manuaalisen päälle-/poiskytkennän lisätoiminto on mahdollinen yhdistämällä painikekytkin.
- Infrapuna-kaukosäädin on saatavana lisävarusteena helppoon ja nopeaan säätöön.

### 2.2 Korkeataajuuksisen läsnäolotunnistimen ominaisuudet

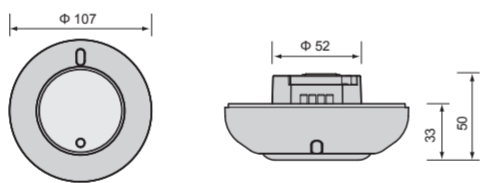
- 2.2.1 Korkeataajuustunnistin pystyy läpäisemään materiaaleja, jotka eivät sisällä metallia, kuten puulevyjä, tiiliseiniä, lasia jne., mutta ei vettä tai metallia.
- 2.2.2 Korkeataajuuksisen läsnäolotunnistimen luotettavuus on erittäin suuri, ja sen tunnistusalueeseen vaikuttavat vähemmän lämpötila, ilmavirtaus, tuuli jne.
- 2.2.3 Kosteus, tärinä sekä liikkuvan kohteen mittausta voi heikentää korkeataajuustunnistimen suorituskykyä.
- 2.2.4 Tunnistin on herkempi liikkeelle eri nopeudella, mikä johtaa suurempaan tunnistusalueeseen, ja vähemmän herkkä liikkeelle samalla nopeudella, ja sen takia tunnistusalue mahdollisesti vähenee.
- 2.2.5 Vääriä laukaisuja syntyy helposti, koska laite läpäisee voimakkaasti ei-metallisia materiaaleja, ja sen herkkyys on suuri. On oltava huolellinen tunnistimen paikan valinnassa.

Tutkamoduulin suurtaajuusteho on <1 mW; suunnilleen vain 0,1 % matkapuhelimen tai mikroaaltouunin siirtotehosta.



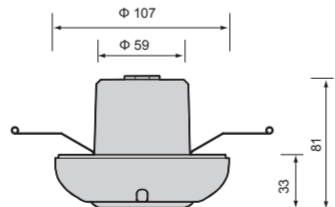
## 3 MITAT

- $\Phi$  107 x 50 mm



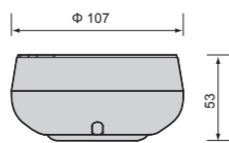
KUVA 1-A

- Tunnistin virtarasian kannen kanssa (valinnainen hankinta)



KUVA 1-B

- Tunnistin liitántärasian kannen kanssa (valinnainen hankinta)



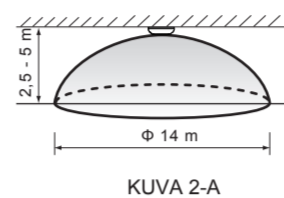
KUVA 1-C

## 4 ASENNUS JA JOHDOTUS

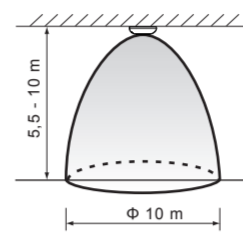
### 4.1 Valitse oikea sijaintipaikka

#### 4.1.1 Tunnistusalue

| Asennus-korkeus | Tunnistusalue         |                       |
|-----------------|-----------------------|-----------------------|
|                 | Metrinupin asetus "+" | Metrinupin asetus "-" |
| H = 2,5 - 3,5 m | $\Phi$ 14 m           | $\Phi$ 2 m            |
| H = 4 - 5 m     | $\Phi$ 14 m           | /                     |
| H = 5,5 - 10 m  | $\Phi$ 10 m           | /                     |



KUVA 2-A



KUVA 2-B

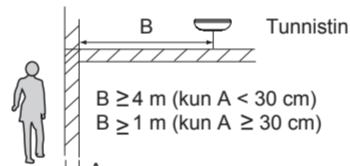
#### 4.1.2 Hyödyllisiä vihjeitä asennusta varten

Tunnistimen eri materiaalien läpäisy, katso allaoleva taulukko:

| Materiaali         | Läpäisy   | Heikkeneminen |
|--------------------|---|---------------|
| PVC ja muovi       | kyllä   | 5 % - 10 %    |
| puu                | kyllä   | 10 % - 20 %   |
| lasi               | kyllä, lasin eri paksuudet voivat aiheuttaa erilaisia heikkenemistä | 15 % - 30 %   |
| tiili              | kyllä, tiilimuurin paksuus alle 30 cm                               | 60 % - 70 %   |
|                    | ei, tiilimuurin paksuus yli 30 cm                                   | 100 %         |
| vahvistettu betoni | ei  | 100 %         |
| metalli            | ei  | 100 %         |

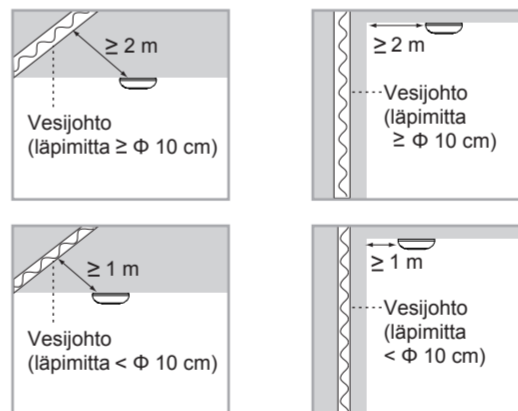
#### 4.1.3 Kun tunnistin asennetaan sisäkattoon

Pidä tunnistin vähintään 4 m (B) etäisyydellä puu-, lasi- tai tiilimateriaaleista valmistetuista seinistä, joiden paksuus on alle 30 cm (A), tai 1 m (B) etäisyydellä seinistä, joiden paksuus on yli 30 cm (A). Käyttäjät voivat myös käyttää metrinuppia vähentämään herkkyttä ja tunnistusaluetta, mikä auttaa välttämään vääriä laukaisuja ihmisten kulkiessa ohitse seinän ulkopuolella.



KUVA 3

- 4.1.4 Vesijohdossa virtaava vesi saattaa laukaista HF-tunnistimen. On suositeltavaa pitää tunnistin kaukana vesijohdosta seuraavien ohjeiden mukaan, jotta häiritsevää laukaisu voidaan välttää.



KUVA 4

### 4.2 Toiminta

#### 4.2.1 R-liittimen toiminta

- 4.2.1.1 R-liitin ja painike (normaalisti avoin) voidaan kytkeä sarjaan kuorman päälle/pois-ohjauksen mahdollistamiseksi. (tapaus 1: päällä → pois; tapaus 2: pois → päälle) Kun painiketta painetaan ( $\leq 1$  s):  
Ota huomioon, että tämä toiminto on pois käytöstä, jos valaistus (tunnistin) on infrapuna-kaukosäätimellä asetettu tilaan Päällä 8 tuntia ja Pois 8 tuntia.

Tapaus 1: Manuaalinen poiskytkentä (luksisäädot eivät toimi): Jos valaistus on päällä-tilassa, sen voi manuaalisesti kytkeä pois. Jos valaistus on kytketty manuaalisesti pois päältä painamalla ( $\leq 1$  s) painiketta, se pysyy pois päältä, vaikka tunnistin laukeaa. Jos huone on tyhjä pitemmän ajan (poiskytkentäviiveen aika umpeutunut), manuaalinen pois-tila (= manuaalinen pois-tila) on deaktivoitu, tunnistin palautuu viimeiseen asetustilaan ennen siirtymistä manuaaliseen pois-tilaan. Jos laite on manuaalisessa pois-tilassa, painikkeen toinen painaminen aktivoi manuaalisen päällä-tilan.

Tapaus 2: Manuaalinen päällekytkentä (luksisäädot eivät toimi): Jos valaistus on pois-tilassa, sen voi manuaalisesti kytkeä päälle. Jos valaistus on kytketty päälle manuaalisesti painamalla ( $\leq 1$  s) painiketta (manuaalisen päälle-tilan aktivointi), se pysyy päällä, kun tunnistin laukeaa jatkuvasti, ja kytketty pois päältä, kun mitään liikettä ei tunnisteta ja poiskytkentäviiveen aika on umpeutunut, ja tunnistin palautuu viimeiseen asetustilaan ennen siirtymistä manuaaliseen päällä-tilaan. Jos laite on manuaalisessa päällä-tilassa, painikkeen toinen painaminen aktivoi manuaalisen pois-tilan.

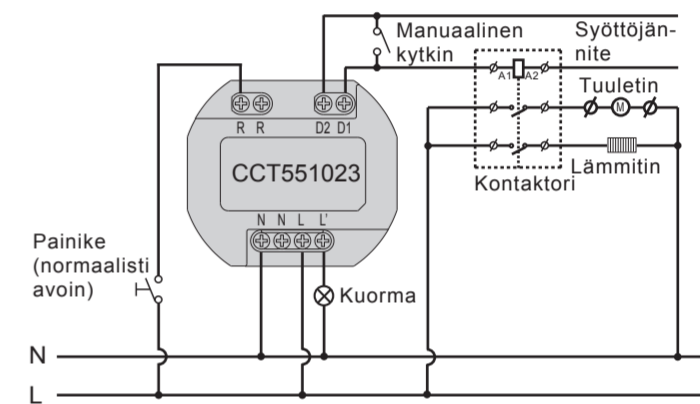
#### 4.2.2 Ympäristön valaistuksen arviointi

Muuttuvan ympäristön valaistustason mukaan tunnistin voi siirtää kuorman pois- ja päällekytkennän viiveaikaa, jotta vältetään tarpeeton kytkentä nopeasti muuttuvan ympäristön valaistuksen johdosta: ympäristön valaistustaso muuttuu kirkkaasta tummaksi: Jos ympäristön valaistustaso on jatkuvasti alhaisempi kuin esisäädetty luksiarvo 10 s aikana, valo kytketty automaattisesti päälle 10 s jälkeen. (LED ilmaisee tämän palamalla 10 s) Ympäristön valaistustaso muuttuu tummasta kirkkaaksi: Jos ympäristön valaistustaso jatkuvasti ylittää poiskytkennän luksiarvon 5 minuutin ajaksi, seuraa erilaisia reaktioita riippuen ajalle asetetusta arvosta. Jos ajan asetus on  $\geq 5$  minuuttia, valo sammuu automaattisesti 5 minuutin kuluttua. Ajan asetus < 5 minuuttia, valo sammuu automaattisesti, kun asetettu aika on kulunut, jos mitään liikettä ei tunnisteta näiden 5 minuutin aikana. Mutta jos näiden 5 minuutin aikana tunnistetaan liike, aika nollautuu tunnistuksesta ja 5 minuuttia myöhemmin valo sammuu.

### 4.3 Johdotus

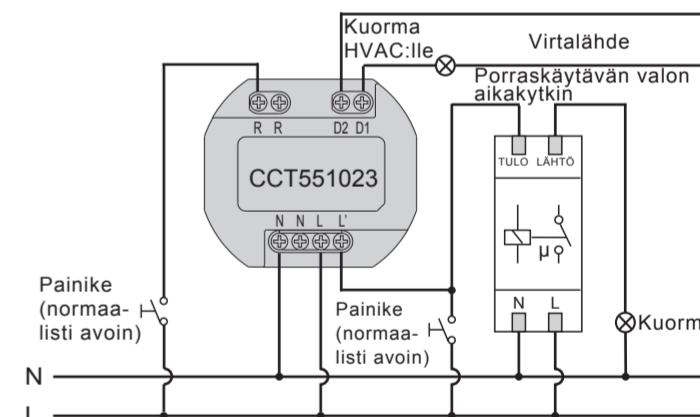
| ⚠️ ⚠️ VAARA   |  |
|---|--|
| <b>SÄHKÖISKUN VAARA</b>   |  |
| Liittimissä vallitsee vaarallinen jännite.  |  |
| <ul style="list-style-type: none"> <li>Lukitse ja merkitse syöttöjännite vammojen välttämiseksi ennen asennusta.</li> <li>Katkaisin (250 V AC, 10 A) tyyppiä C täytyy asentaa normin EN60898-1 mukaan.</li> </ul> |  |
| <b>Näiden ohjeiden noudattamatta jättämisen seurauksena on kuolema tai vakavia vammoja.</b>   |  |

#### 4.3.1 CCT551023 vakiosovellukselle (katso KUVA 5)



KUVA 5

#### 4.3.2 CCT551023 Porraskäytävän valon aikakytimen ohjaus (aika 1 tulee asettaa arvoon ) (katso KUVA 6)

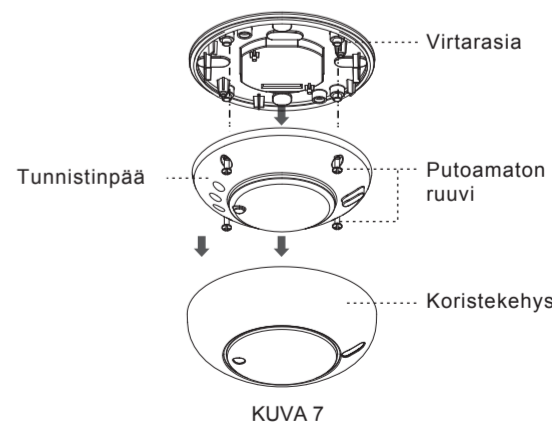


KUVA 6

### 4.4 Asennusmenetelmä

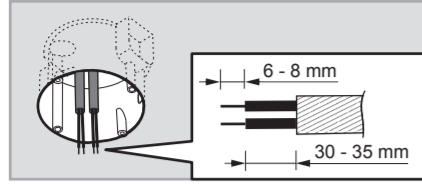
#### 4.4.1 Uppoasennus EU-vakioliitántärasian kanssa

- 4.4.1.1 Poista tunnistimen koristekehys, irrota sen jälkeen tunnistinpää virtarasian avaamalla sen neljä putoamaton ruuvia (katso KUVA 7).



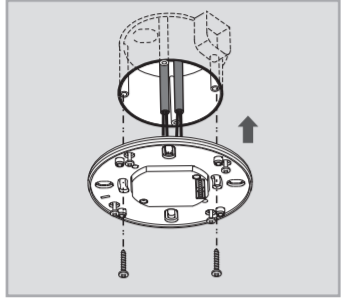
KUVA 7

- 4.4.1.2 Irrota vaihtovirtakaapelit EU-vakioliitäntärasiasta, kuori sitten 6 - 8 mm kaapelin vaippaa johdotusta varten (katso KUVA 8).



KUVA 8

- 4.4.1.3 Kiinnitä virtarasia EU-vakioliitäntärasiin kahdella ruuvilla (katso KUVA 9).

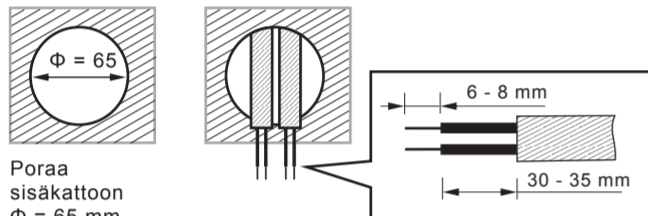


KUVA 9

- 4.4.1.4 Kiinnitä tunnistinpää virtarasiin asettamalla sen neljä putoamatonta ruuvia vastaaviin reikiin ja peitä se tämän jälkeen koristekehysellä (katso KUVA 7).
- 4.4.1.5 Yhdistä virtalähde uudelleen.

- 4.4.2 Uppoasennus virtarasiin kannen kanssa

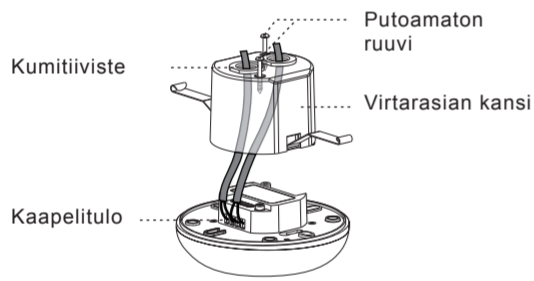
- 4.4.2.1 Poraa tunnistimen asennusta varten sisäkattolevyn reikä, jonka läpimitta 65 mm ja jätä virtakaapeli ulkopuolelle. Kuori 6 - 8 mm kaapelin vaippaa johdotusta varten (katso KUVA 10).



KUVA 10

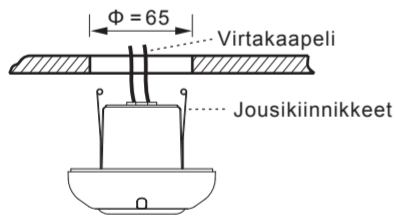
- 4.4.2.2 Murra ruuvitaltan avulla virtarasiin kannen kumitiiviste ja vie kaapelit sitten sen läpi (katso KUVA 11).

- 4.4.2.3 Katso esityksestä KUVA 5 - KUVA 6 oikea johdotuksen suoritustapa ja kiristä sen jälkeen virtarasiin kannen ruuvi.



KUVA 11

- 4.4.2.4 Sulje tunnistimen kaksi jousikiinnikettä ja aseta tunnistin porattuun aukkoon sisäkattoon (katso KUVA 12).

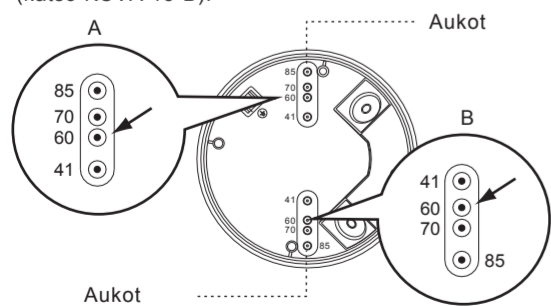


KUVA 12

- 4.4.2.5 Yhdistä virtalähde uudelleen.

- 4.4.3 Pinta-asennus liitäntärasiin kanssa

- 4.4.3.1 Liitäntärasiassa on 4 paria aukkoja erilaisilla etäisyyksillä välillä 41 mm - 85mm, joita voidaan valita erilaisille asennussovelluksille (katso KUVA 13-A). Valitse molemmissa päissä samat kohdat kiinnityksen vastaavaa etäisyyttä varten (katso KUVA 13-B).

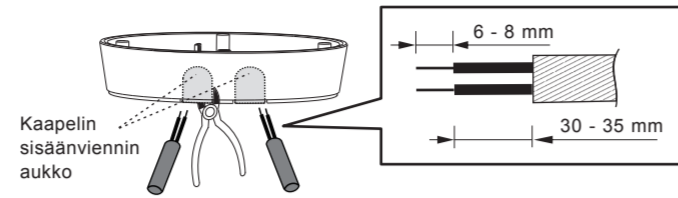


KUVA 13-A

| NORMAALISTI AVOIN. | A  | B  | Etäisyys välillä A ja B |
|--------------------|----|----|-------------------------|
| 1                  | 41 | 41 | 41 mm                   |
| 2                  | 60 | 60 | 60 mm                   |
| 3                  | 70 | 70 | 70 mm                   |
| 4                  | 85 | 85 | 85 mm                   |

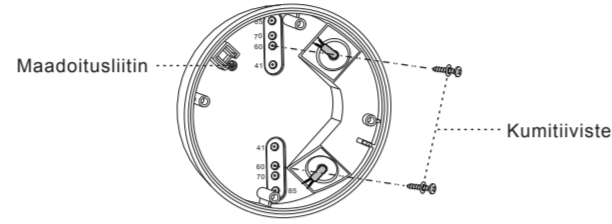
KUVA 13-B

- 4.4.3.2 Käytä leikkauspihtejä vaihtovirtakaapeleiden viemiseksi liitäntärasiin sivun läpi ja murra kaapelien sisäänviennin aukot liitäntärasiin sivulla, aseta sitten kaapelit liitäntärasiin ja syötä läpi. Kuori 6 - 8 mm kaapelin vaippaa johdotusta varten (katso KUVA 14).



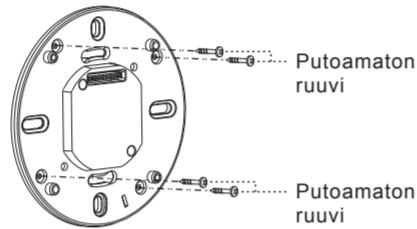
KUVA 14

- 4.4.3.3 Valitse oikeat aukot liitäntärasiin kiinnittämiseksi sisäkaton levyypintaan kahdella puuruuvilla, joissa on kumitiiviste (katso KUVA 15).



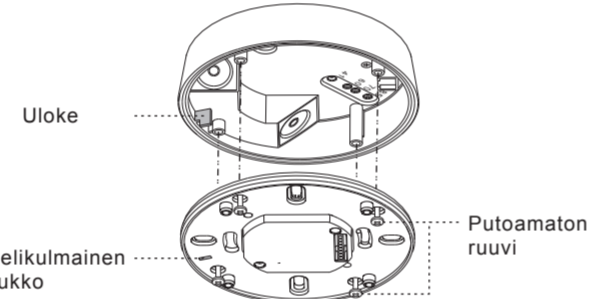
KUVA 15

- 4.4.3.4 Aseta 4 putoamatonta ruuvia vastaaviin ruuviaukoihin tunnistimen kiinnityslevyyn. Nämä 4 ruuvia eivät putoa pois, mikä antaa helpomman seuraavan asennuksen (katso KUVA 16).



KUVA 16

- 4.4.3.5 Katso johdotuskaavioista oikea johdotuksen yhdistäminen (katso KUVA 5 - KUVA 6). Kiinnityslevyssä on nelikulmainen aukko, ja kun asetat kiinnityslevyn liitäntärasiin, sovita aukko liitäntärasiin ulokkeeseen (katso KUVA 17), kiinnitä sen jälkeen tunnistinpää virtarasiin KUVAN 9 mukaisesti ja asenna mukana toimitetuilla neljällä putoamattomalla ruuvilla.



KUVA 17

- 4.4.3.6 Sulje tunnistimen koristekehys ja yhdistä virransyöttö.

## 5 KÄYTTÖ JA TOIMINTA

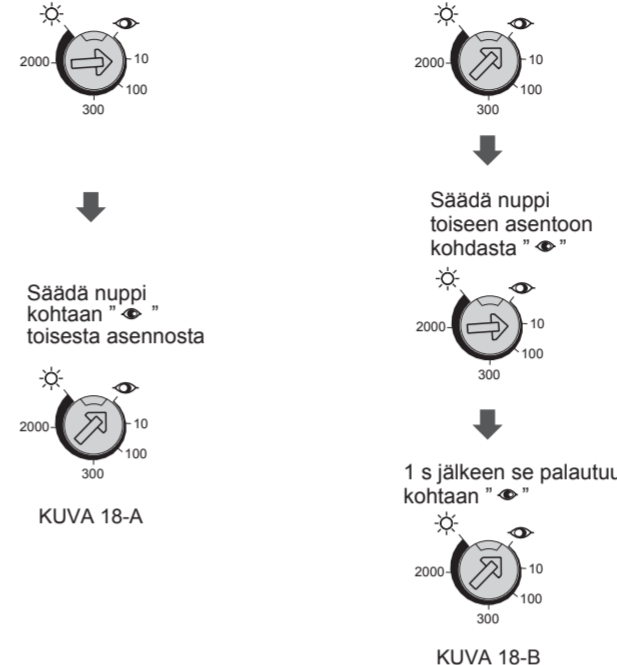
### 5.1 Metri-, luks- ja aikanuppien säätö

| Nuppi (tehtaan säätö) | Toiminto                                   | Nupin säätö  |
|-----------------------|--|--|
|                       | Säädä tunnistimen herkkyys                 | Alue: Säädettävissä kohdasta "-" (n. $\Phi$ 4 m) kohtaan "+" (n. $\Phi$ 14 m).<br>Katso kohta 4.1.1.   |
|                       | Säädä valon arvo kuorman päällekytkennälle | Alue: säädettävissä n. välillä 10 luksia "☀" (∞).<br>☞ (opetus): Tämänhetkinen ympäristön valaistus (10 luksia - 2000 luksia) voidaan lukea.   |
|                       | Viiveaika valaistus pois päältä            | Alue: säädettävissä n. välillä 10 s ja 30 min.<br>Testi: Testitila (kuorma ja punainen LED ovat 2 s päällä, 2 s pois)<br>☞ : Lyhyt impulssitila porraskäytävän valon aikakytkimelle (kuorma on 1 s päällä, 9 s pois) |
|                       | Säädä viiveaika HVAC pois päältä           | Alue: säädettävissä n. välillä 10 s ja 60 min.   |

### 5.2 Luksiopetustoiminto nupin avulla

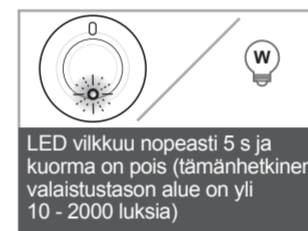
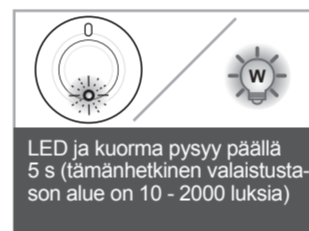
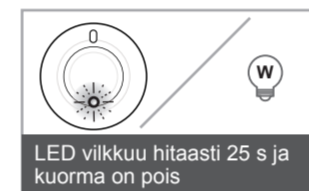
Opetustoimenpide:

- 5.2.1 Säädä nuppi kohtaan "☞" kun ympäristön valaistustaso vastaa haluttua arvoa (katso KUVA 18-A).
- 5.2.2 Kun nuppi on alun perin säädetty kohtaan "☞", se tulee säätää toiseen asentoon yli 1 s ajaksi, ja palautuu sitten kohtaan "☞" (katso KUVA 18-B).
- 5.2.3 Silloin kuorma on pois. LED alkaa vilkkua hitaasti ilmoittaen siirtymisen opetustilaan. Opetus on suoritettu loppuun 25 sekunnin kuluttua. Sen jälkeen LED ja kuorma pysyvät päällä 5 s ajan, tai LED vilkkuu nopeasti 5 s ja kuorma on pois onnistuneen opetuksen vahvistukseksi (katso KUVA 18-C).
- 5.2.4 Opetustoimenpiteen jälkeen tunnistin palautuu AUTO-tilaan, LED ja kuorma ovat pois päältä.



KUVA 18-A

KUVA 18-B



Tunnistin kytkeytyy AUTO-tilaan

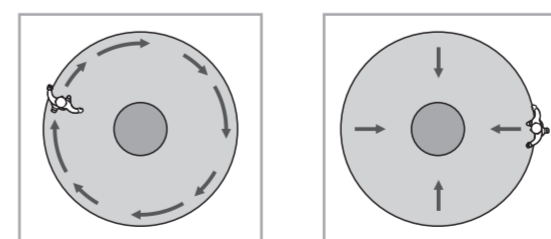
KUVA 18-C

### 5.3 Kävelytesti (luksi ei toiminnassa)

Kävelytestin suorittamisen tarkoituksena on tarkistaa ja säätää tunnistusalue.

Testimenetelmä:

- 5.3.1 Testiajan täytyy olla tunnistusalueen sisäpuolella.
- 5.3.2 Kytke virta päälle.
- 5.3.3 Tunnistin tarvitsee n. 30 s lämpiämistä varten kuorman alaisena ja LEDin palaessa, kytke se sitten pois lämmitysajan kuluttua.
- 5.3.4 Kävele ulkoa päin tunnistusalueen poikki tai suoraan sitä kohti, kunnes LED ja kuorma kytkeytyvät päälle 2 s ajaksi (katso KUVA 19).
- 5.3.5 Säädä metrinuppia haluttua tunnistusalueen varten.



KUVA 19

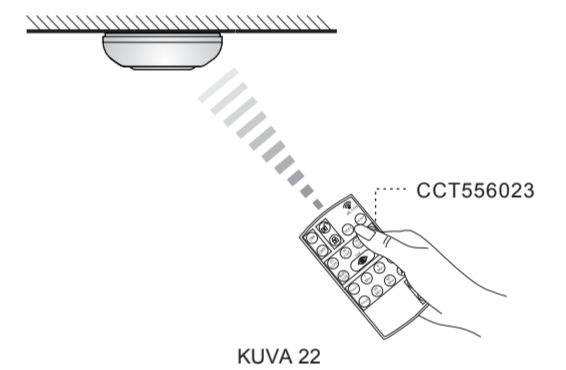
## 6 VIANETSINTÄ

Jos tunnistin ei toimi normaalisti, tarkasta mahdollisest ongelmat ja ehdotetut ratkaisut alla olevasta taulukosta, joka toivottavasti auttaa ongelman ratkaisemisessa.

| Ongelma                 | Mahdollinen syy  | Ehdotettu ratkaisu  |
|-------------------------|--|---|
| LED ei syty             | 1. Ei virransyöttöä.<br>2. Johdotus ei ole oikein.                       | 1. Kytke virta päälle.<br>2. Kytke kuorma johdotuskaavioiden mukaan (katso KUVA 5 - KUVA 6).  |
| Valaistuslaite ei syty  | 1. Johdotus ei ole oikein.<br>2. Kuorman toimintahäiriö.                 | 1. Kytke kuorma johdotuskaavioiden mukaan (katso KUVA 5 - KUVA 6).<br>2. Korvaa viallinen kuorma uudella.   |
| Valaistuslaite ei sammu | 1. Tunnistimessa on häiritsevää laukaisua.<br>2. Johdotus ei ole oikein. | 1. Pysy testin aikana pois tunnistusalueelta välttääksesi tunnistimen aktivoitumisen.<br>2. Kytke kuorma johdotuskaavioiden mukaan (katso KUVA 5 - KUVA 6). |
| Häiritsevää laukaisua   | 1. Heijastavia metallimateriaaleja.<br>2. Asennuspinnan tärinää.         | 1. Tarkasta, onko tunnistin suunnattu kohti jotain heijastavia metallimateriaaleja.<br>2. Tarkasta, onko tunnistin asennettu tärisevälle pinnalle.          |

## 7 VALINNAISET LISÄVARUSTEET

- 7.1 On ehdottoman suositeltavaa hankkia vastaava infrapuna-kaukosäädin (tuoteno CCT556023) tunnistimen helppoja ja turvallisia säätötoimintoja varten.



KUVA 22

Schneider Electric Industrie SAS

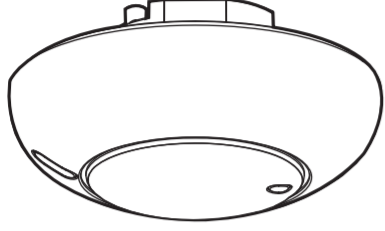
Jos sinulla on kysymyksiä, ota yhteyttä oman maasi asiakaspalvelukeskukseen.  
schneider-electric.com/contact

## KULLANICI KILAVUZU

**ARGUS Hareket Sensörlü dedektör**  
**Yüksek Raf lar için Yüksek Frekans - 2 kanal**

Ürün no.  
CCT551023

# ARGUS



## KULLANIM TALİMATI

### TEKNİK ÖZELLİKLER

|   |  |
|---|--|
| Nominal gerilim   | 220 V - 240 V~ 50/60 Hz  |
| Elektrik yükü   | Aydınlatma için Elektrik Yükü (L'): $\mu$<br>Akkor flamanlı Lamba: Maks. 2000 W<br>Yüksek Gerilimli: Maks. 1000 W<br>Halojen Lamba<br>Düşük Gerilimli: Maks. 1000 VA<br>Halojen Lamba<br>Flüoresan Lamba: Maks. 900 VA<br>LED Lamba: Maks. 100 W<br>Enerji Tasarruflu Lamba (CFL): Maks. 100 W |
| HVAC (Lux geçerli değil) için Elektrik Yükü II (D1-D2):<br>Röle sınıfı: | Maks. 5 A ( $\cos\phi = 1$ ),<br>250 V AC<br>Maks. 100 W   |
| Motor yükü:   | Maks. 100 W  |
| Frekans   | 5,8 GHz  |
| Algılama Açısı  | 360°   |
| Algılama Aralığı  | $\Phi 14$ m (Y = 2,5 - 5 m)'ye kadar ayarlanabilir<br>$\Phi 10$ m (Y = 5,5 - 10 m)'ye kadar ayarlanabilir  |
| Otomatik Kapanan Zaman Ayarlaması                                       | Zaman 1 (aydınlatma için): Yaklaşık 10 saniye ila 30 dakika arasında ayarlanabilir, Test ve $\lceil \text{sn} \rceil$<br>Zaman 2 (HVAC için): Yaklaşık 10 saniye ila 60 dakika arasında ayarlanabilir  |
| Lux Ayarlaması  | Yaklaşık 10 Lux ila ( $\infty$ ) ve $\odot$<br>"☉" arasında ayarlanabilir<br>(öğrenme aralığı: 10 Lux - 2000 Lux)  |
| Çevre Koruma  | Sınıf<br>IP40 (Güç kutusu kapağıyla sıva altı montajı ve Avrupa standardı bağlantı kutusu)<br>IP52 (Bağlantı kutusuyla yüzey montajı)  |

### Güvenlik Uyarısı

#### ⚠️ ⚠️ TEHLİKE

#### ELEKTRİK ÇARPMA, PATLAMA VEYA ARK SIÇRAMASI TEHLİKESİ

Güvenli elektrik tesisatı sadece eğitimli profesyoneller tarafından yapılmalıdır. Eğitimli profesyoneller, aşağıdaki alanlarla temel bilgi sahibi olmalıdır:

- Tesisat ağlarına bağlama
- Çeşitli elektrikli cihazları bağlama
- Elektrik kabloları döşeme
- Güvenlik standartları, yerel kablolama kuralları ve düzenlemeleri
- Giriş devresinin kesilmesi ve kablo bağlantılarına erişmeden önce etiketlenmesi.

**Bu talimatlara uyulmaması halinde ölüm ve ağır yaralanma gibi sonuçlar doğacaktır.**

## 1 PAKET İÇERİĞİ

|        |          |                            |         |
|--------|----------|----------------------------|---------|
| Kalıp  |          |                            |         |
| Parça  | Dedektör | $\Phi 3 \times 16$ mm vida | KILAVUZ |
| Miktar | 1        | 2                          | 1       |

|        |                 |  |                                    |                   |
|--------|-----------------|--|------------------------------------|-------------------|
| Kalıp  |                 |  | Lastik pul                         |                   |
| Parça  | Bağlantı kutusu | Vida sabitleyicisi $\Phi 3 \times 15$ mm | Ahşap vida $\Phi 4 \times 25,4$ mm | Güç kutusu kapağı |
| Miktar | 1               | 4  | 2                                  | 1                 |

### ● Opsiyonel satın alım için aksesuarlar

|        |                                      |
|--------|--------------------------------------|
| Kalıp  |                                      |
| Parça  | Kızılötesi uzaktan kumanda CCT556023 |
| Miktar | 1                                    |

## 2 ÜRÜN AÇIKLAMASI

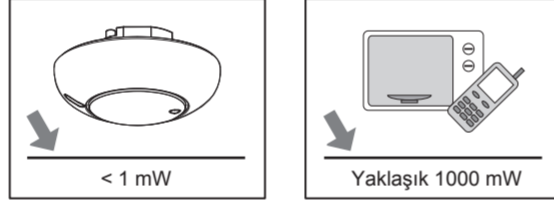
### 2.1 Özellikler

- 10 metre yüksekliğe kadar monte edilebilir, depo, spor salonu gibi yüksek tavanlı yerler için idealdir.
- En ufak hareketi bile algılamak için yüksek duyarlılığa sahiptir.
- Hareket dedektör tarafından karşıdan veya doğrudan algılansa da duyarlılık değişmeyecektir.
- Tüm lamba türlerini kontrol etmeye tasarlanmış güçlü devre.
- Işığı belirleyen sensör, enerji tasarrufunu en yüksek düzeye çıkarmak ve elektrik harcamanızı en aza indirmek için kontrollü aydınlatmayı otomatik olarak doğru zamanda açmak üzere istenilen aydınlatma seviyesine göre ayarlanabilir olarak yapılmıştır.
- Güç kutusu kapağının doğrudan yaylı kısıpçaklarla tavana sıva altından monte edilmesi ve mevcut Avrupa standardı bağlantı kutusu ve bağlantı kutusuyla monte edilen tavan yüzeyinin birleştirilmesi gibi çeşitli montaj yöntemleri.
- Sağlanan Lux değerleri dışında, daha esnek bir uygulama için elektrik yükünün açma / kapatma eşiği olarak ortam ışık seviyesi kızılötesi veya tuş ile ayarlanabilir.
- Kontrollü elektrik yükünün manuel olarak açılmasının / kapanmasının ek bir fonksiyonu da bir düğme anahtarına bağlanarak gerçekleştirilir.
- Kızılötesi uzaktan kumanda, kolay ve hızlı ayarlar için isteğe bağlı olarak kullanılabilir.

### 2.2 Yüksek frekanslı hareket sensörlü dedektörün özellikleri

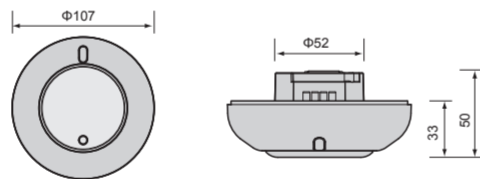
- 2.2.1 Yüksek frekanslı sensör, ahşap çita, tuğla duvar, cam vb. gibi metalik bir yapıya sahip olmayan malzemelere girebilir, fakat su ve metale nüfuz edemez.
- 2.2.2 Yüksek frekanslı hareket sensörlü dedektör, yüksek güvenilirliğe sahip olmasının yanı sıra algılama aralığı, sıcaklık, hava akışı, rüzgar vb. gibi şeylerden daha az etkilenir.
- 2.2.3 Nem ve titreşimin yanı sıra hareket eden nesnenin boyutları da yüksek frekanslı dedektörün performansını zayıflatır.
- 2.2.4 Dedektör, algılama alanının genişlemesine neden olan farklı hızlarda hareket edildiği zamanlarda daha duyarlı olup algılama aralığının azaldığı aynı hızda sahip hareketlerde daha az duyarlıdır.
- 2.2.5 Metalik olmayan malzemelere güçlü bir şekilde nüfuz etmesi ve yüksek duyarlılığı sebebiyle hatalı bir şekilde tetiklenmesi kolaydır. Dedektörün yerini seçerken daha dikkatli olunmalıdır.

Radar modülünün yüksek frekanslı çıkışı < 1 mW'dir ve cep telefonunun iletim gücünün veya mikrodalga fırın çıkışının yaklaşık olarak sadece %0,1'ini oluşturur.



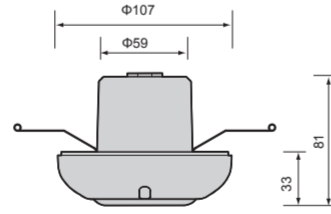
## 3 BOYUTLU

- $\Phi 107 \times 50$  mm



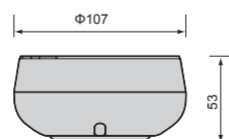
Şekil 1-A

- Güç kutusu kapaklı dedektör (opsiyonel satın alım için)



Şekil 1-B

- Bağlantı kutulu dedektör (opsiyonel satın alım için)



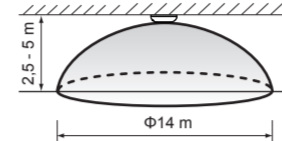
Şekil 1-C

## 4 KURULUM VE KABLO SİSTEMİ

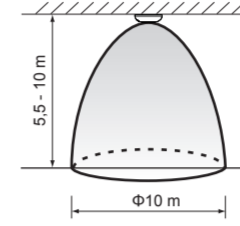
### 4.1 Uygun bir yer seçin

#### 4.1.1 Algılama kapsamı

| Kurulum yüksekliği | Algılama aralığı    |                     |
|--------------------|---------------------|---------------------|
|                    | Metre tuş ayarı "+" | Metre tuş ayarı "-" |
| Y = 2,5 - 3,5 m    | $\Phi 14$ m         | $\Phi 2$ m          |
| Y = 4 - 5 m        | $\Phi 14$ m         | /                   |
| Y = 5,5 - 10 m     | $\Phi 10$ m         | /                   |



Şekil 2-A



Şekil 2-B

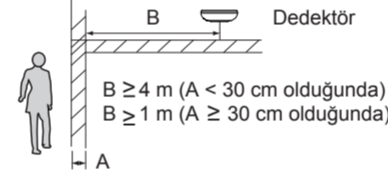
#### 4.1.2 Montaj için yardımcı ipuçları

Dedektörü farklı malzemelere bağlamak için lütfen aşağıdaki tabloya bakın:

| Malzeme              | Delme  | İnceltme          |
|----------------------|--|-------------------|
| PVC ve plastik       | Evet   | %5 - %10          |
| Ahşap                | Evet   | %10 - %20         |
| Cam                  | Evet, farklı cam kalınlıkları, farklı inceltmeye neden olabilir                            | %15 - %30         |
| Tuğla                | Evet, 30 cm'den az kalınlıkta tuğla duvar<br>Hayır, 30 cm'den fazla kalınlıkta tuğla duvar | %60 - %70<br>%100 |
| Güçlendirilmiş beton | Hayır  | %100              |
| Metal                | Hayır  | %100              |

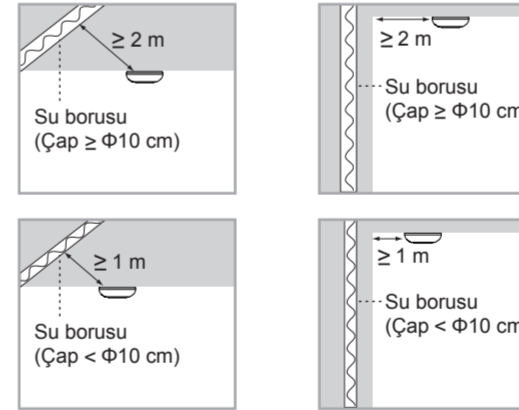
#### 4.1.3 Dedektörün tavana montajı sırasında

Lütfen dedektörü, kalınlığı 30 cm'den (A) az ahşap, cam veya tuğla malzemeli duvardan en az 4 m (B) uzaklıkta veya kalınlığı 30 cm'den (A) fazla duvardan 1 m (B) uzaklıkta tutun. Ek olarak, kullanıcılar, duvarın dışından geçen kişilerin algılanmaması için duyarlılığı ve kapsam alanını azaltmak üzere Metre tuşunu ayarlayabilirler.



Şekil 3

- 4.1.4 Su borularındaki su akışı HF dedektörünü etkileyebilir. Tetikleme sıkıntılarını önlemek için aşağıda verilen talimatlar doğrultusunda dedektörün su borusundan uzak tutulması tavsiye edilir.



Şekil 4

### 4.2 İşlev

#### 4.2.1 R terminalinin işlevi

4.2.1.1 R terminali ve basma düğmesi (N.O.), elektrik yükündeki açma/kapatma kontrolünü etkinleştirmek için bağlanmış seriler olabilir. (kutu 1: açık → kapalı; kutu 2: kapalı → açık). Düğmeye basarken ( $\leq 1$  saniye): Aydınlatmanın, (dedektör) kızılötesi uzaktan kumanda ile 8 saat Açık, 8 saat Kapalı moda alınmasıyla bu işlevin geçersiz olduğunu lütfen unutmayın.

**Kasa 1: Manuel kapatma (Lux ayarları geçerli değil):** Aydınlatma açık moddaysa manuel olarak kapatılabilir. Aydınlatma düğmeye basılarak ( $\leq 1$  saniye) manuel olarak kapatılırsa (manuel kapatma modunu etkinleştirme), dedektör tetiklene bile kapalı kalmaya devam eder. Oda uzun süre boş kalırsa (kapatma gecikme süresi geçince), manuel kapatma durumu (= manuel kapatma modu) devre dışı kalır ve daha sonra dedektör, manuel kapatma moduna girmeden önce en son ayar moduna geri gelir. Cihaz manuel kapatma modundaysa, düğmeye ikinci kez basılarak manuel açma modu etkin hale getirilir.

Kutu 2: Manuel açma (Lux ayarları geçerli değil):

Aydınlatma kapalı moddaysa manuel olarak açılabilir. Aydınlatma, düğmeye (manuel açma modunun etkinleştirilmesi) basılarak ( $\leq 1$  saniye) manuel olarak açıldıysa dedektör sürekli tetiklenirken açık kalmaya devam eder ve hiçbir hareket tespit edilmediği ve kapanma erteleme süresi geçtiği takdirde kapanıp dedektör manuel açma moduna girmeden önce son ayar moduna geri gelir. Cihaz manuel açma modundaysa, düğmeye ikinci kez basılarak manuel kapatma modu etkin hale getirilir.

#### 4.2.2 Ortam ışığını değerlendirme

Değişebilen ortam ışığı seviyesine göre, dedektör, ortam ışığının hızla değişmesi nedeniyle elektrik yükünün gereksiz bir şekilde değişmesini önlemek için elektrik yükünün açma kapatma gecikme süresini erteleyebilir. Ortam ışık seviyesi aydınlıktan karanlığa doğru değişir: Ortam ışık seviyesi, 10 saniye boyunca mevcut Lux değerinden düşük olmayı sürdürürse ışık 10 saniye sonra otomatik olarak açılır. (LED, gösterge için 10 saniye boyunca açık kalacaktır) Ortam ışık seviyesi, karanlıktan aydınlığa doğru değişir: Ortam ışık seviyesi 5 dakika boyunca devamlı olarak Lux kapanma değerini aştığı takdirde zaman ayarı değerlerine göre farklı tepkiler oluşur. Zaman ayarı  $\geq 5$  dakika olduğunda, ışık 5 dakikanın sonunda otomatik olarak kapanacaktır. Zaman ayarı < 5 dakika olduğunda, 5 dakika boyunca hareket tespit edilmediği takdirde ayarlanan zamana ulaşırsa ışık otomatik olarak kapanacaktır. Fakat 5 dakika içinde herhangi bir hareket tespit edildiğinde, zaman algılamadan sonra sıfırlanır ve ışık 5 dakika sonra kapanır.

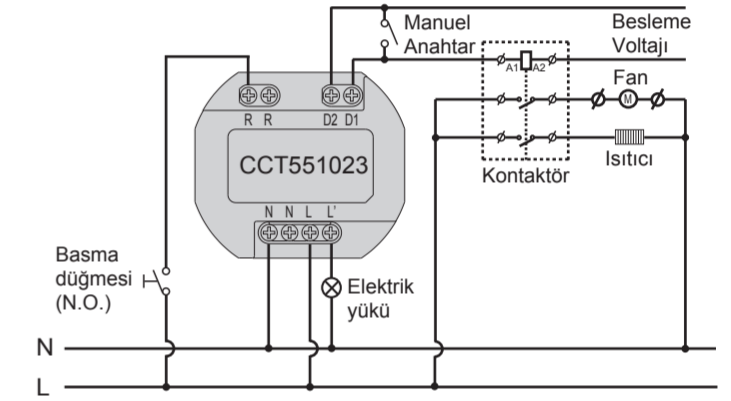
### 4.3 Kablolama

#### ⚠️ ⚠️ TEHLİKE

#### ELEKTRİK ÇARPMA TEHLİKESİ

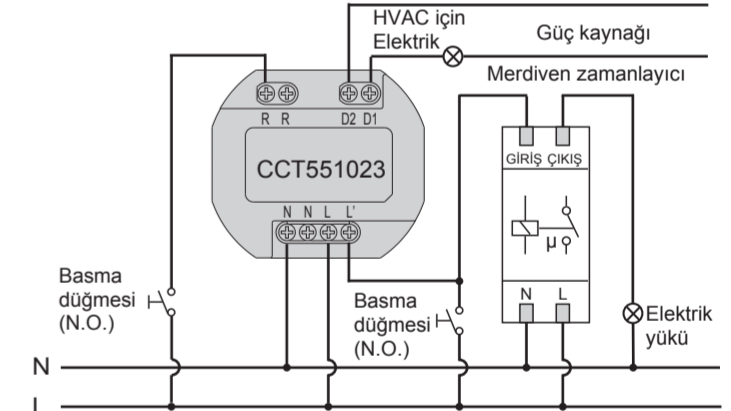
Kablo terminallerinde yüksek gerilim mevcuttur.  
• Yaralanmaları önlemek için montajdan önce besleme devresini devre dışı bırakın ve etiketleyin.  
• EN60898-1 uyarınca C Tipi bir devre kesici (250 V AC, 10 A) monte edilmelidir.  
Bu talimatlara uyulmaması halinde ölüm ve ağır yaralanma gibi sonuçlar doğacaktır.

#### 4.3.1 Standart uygulama için CCT551023 (Bkz. Şekil 5)



Şekil 5

#### 4.3.2 CCT551023 merdiven zamanlayıcı anahtarını kontrol eder (Zaman 1 ayarında olmalıdır $\lceil \text{sn} \rceil$ ) (Bkz. Şekil 6)

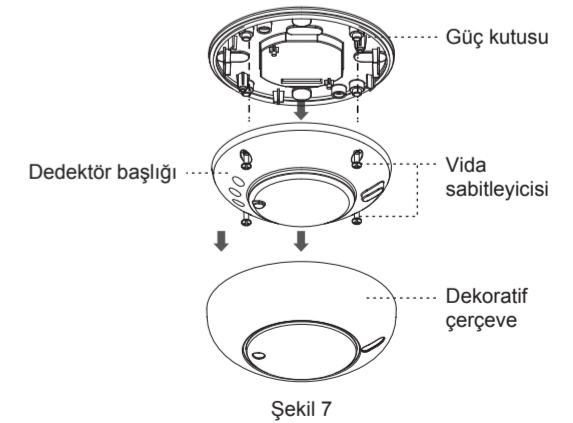


Şekil 6

### 4.4 Montaj prosedürü

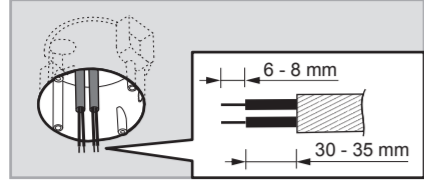
#### 4.4.1 Avrupa standardı bağlantı kutusuyla sıva altı montajı

- 4.4.1.1 Dedektörden dekoratif çerçeveyi çıkarın ve daha sonra 4 adet vida sabitleyicisini sökerek güç kutusundan dedektör başlığını ayırın (Bkz. Şekil 7).



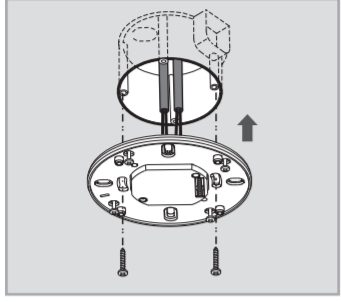
Şekil 7

4.4.1.2 Avrupa standardı bağlantı kutusundan AC güç kablolarını çıkarın ve daha sonra kablolama için kablo kaplamasının 6 - 8 mm kadarını soyun (Bkz. Şekil 8).



Şekil 8

4.4.1.3 Güç kutusunu 2 adet vida yardımıyla Avrupa standardı bağlantı kutusuna sabitleyin (Bkz. Şekil 9).



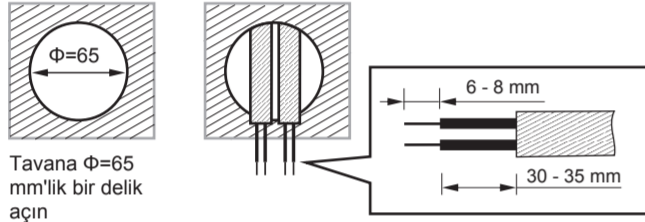
Şekil 9

4.4.1.4 Dedektör başlığını, dört vida sabitleyicisiyle güç kutusundaki denk gelen yerlere sabitleyin ve daha sonra dekoratif çerçeveyle kapatın (Bkz. Şekil 7).

4.4.1.5 Güç kaynağını eski haline getirin.

4.4.2 Güç kutusu kapağıyla sıva altı montajı

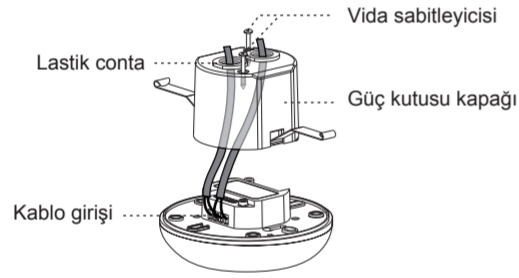
4.4.2.1 Dedektörü kurmak için lütfen tavan kısmına 65 mm çapında bir delik açın ve güç kablosunu dışarıda tutun. Lütfen kablolama için kablo kaplamasının 6 - 8 mm kadarını soyun (Bkz. Şekil 10).



Şekil 10

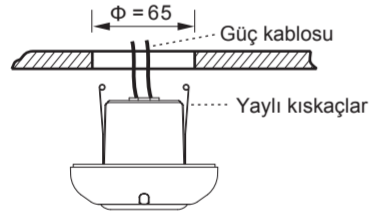
4.4.2.2 Güç kutusu kapağının lastik contasını kırmak için tornavida kullanın ve daha sonra kabloları içinden geçirin (Bkz. Şekil 11).

4.4.2.3 Lütfen Şekil 5'teki resme bakın - doğru kablolama için Şekil 6'ya bakın ve daha sonra Güç kutusu kapağını sıkıca vidalayın.



Şekil 11

4.4.2.4 Dedektörün yaylı iki kıskaçını birbirine yaklaştırın ve tavana açılan deliğe dedektörü yerleştirin (Bkz. Şekil 12).

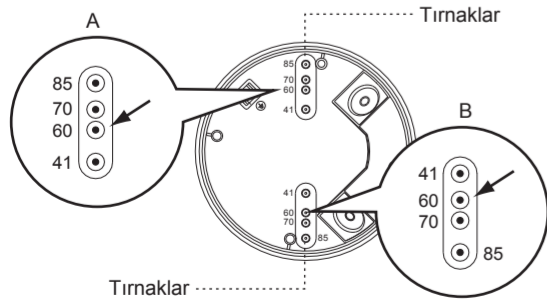


Şekil 12

4.4.2.5 Güç kaynağını eski haline getirin.

4.4.3 Bağlantı kutusuyla yüzey montajı

4.4.3.1 Farklı montaj uygulamaları için seçilebilen bağlantı kutusunun üzerinden 41 mm ila 85 mm arasında değişen çeşitli mesafelere sahip 4 çift tırnak vardır (Bkz. Şekil 13-A). Sabitleme için her iki uçtaki karşılık gelen mesafelerde aynı iki biçimi seçin (Bkz. Şekil 13-B).

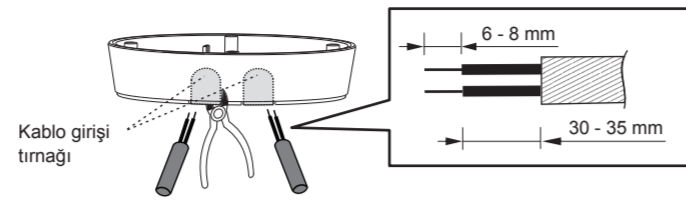


Şekil 13-A

| NO. | A  | B  | A ve B arasındaki mesafe |
|-----|----|----|--------------------------|
| 1   | 41 | 41 | 41 mm                    |
| 2   | 60 | 60 | 60 mm                    |
| 3   | 70 | 70 | 70 mm                    |
| 4   | 85 | 85 | 85 mm                    |

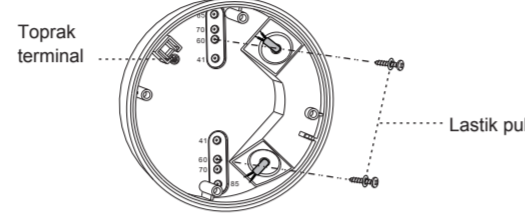
Şekil 13-B

4.4.3.2 Bağlantı kutusuna AC güç kablolarını geçirmek üzere bağlantı kutusunun yanındaki kablo giriş tırnaklarını kırmak için lütfen kesici penseyi kullanın ve daha sonra kabloları bağlantı kutusuna yerleştirerek içinden geçirin. Kablolama için kablo kaplamasının 6 - 8 mm kadarını soyun (Bkz. Şekil 14).



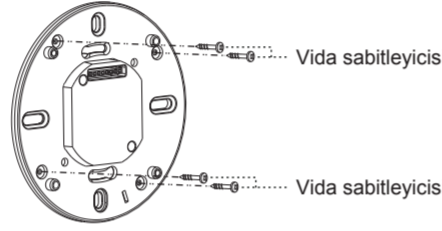
Şekil 14

4.4.3.3 Lastik pula tutturulmuş 2 adet ahşap vida ile bağlantı kutusunu tavana sabitlemek için doğru tırnakları seçin (Bkz. Şekil 15).



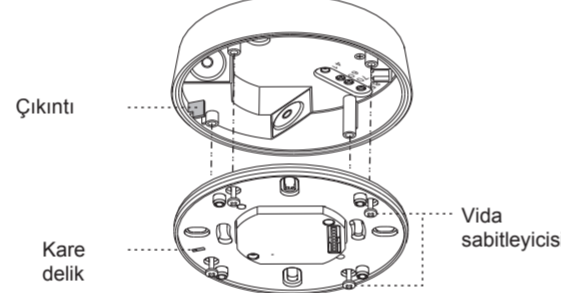
Şekil 15

4.4.3.4 Dedektörün sabitleme plakasına 4 adet vida sabitleyicisini karşılık gelen vida deliklerine gelecek şekilde yerleştirin, bu 4 adet vida daha sonraki montajlara kolaylık sağlamak için yerinden çıkmayacaktır (Bkz. Şekil 16).



Şekil 16

4.4.3.5 Doğru bir kablolama bağlantısı için kablolama çaplarına bakın (Bkz. Şekil 5 - Şekil 6). Sabitleme plakasında kare bir delik vardır, sabitleme plakasını bağlantı kutusuna koyduğunuz zaman lütfen oyuğu bağlantı kutusunun uzantısına denk getirin (Bkz. Şekil 17) ve daha sonra aşağıdaki Şekil 9'da gösterildiği gibi dedektörün başlığını güç kutusuna sabitleyip 4 adet vida sabitleyicisiyle birleştirin.



Şekil 17

4.4.3.6 Dedektörün dekoratif çerçevesini kapatın ve güç kaynağını eski haline getirin.

## 5 ÇALIŞMA VE İŞLEV

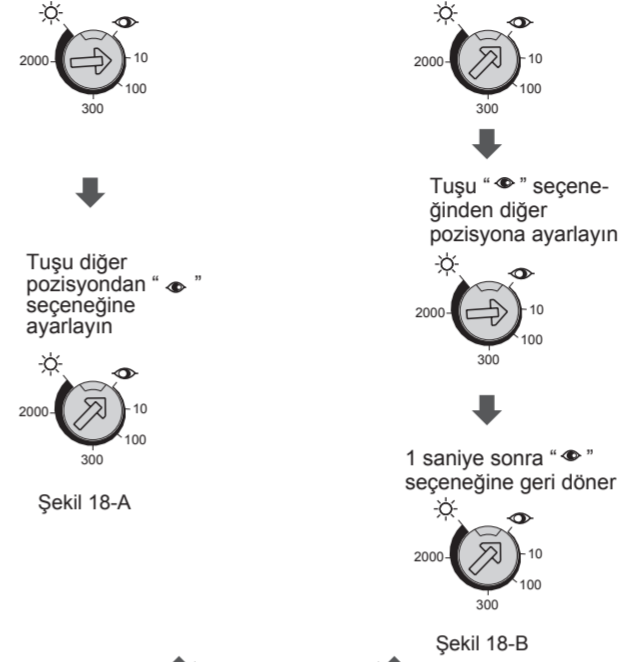
### 5.1 Metre, Lux ve Zaman tuş ayarı

| Tuş (Fabrika ayarları) | İşlev  | Tuş ayarı  |
|------------------------|--|--|
| Metre                  | Dedektörün duyarlılığını ayarla                  | Aralık: "-" (yaklaşık Φ4 m) ila "+" (yaklaşık Φ14 m) arasında ayarlanabilir. 4.1.1 bölümüne bakın.   |
| Lux                    | Işık değerini elektrik yükünü açmaya göre ayarla | Aralık: Yaklaşık 10 Lux ila "☀" (=) arasında ayarlanabilir. (öğrenme): Gerçek ortam ışık seviyesi (10 Lux - 2000 Lux) kılavuzda yer almaktadır.  |
| Zaman / Zaman1         | Aydınlatma için kapatma zamanını erteleyin       | Aralık: Yaklaşık 10 saniye ila 30 dakika arasında ayarlanabilir<br>Test: Test modu (Elektrik Yükü ve kırmızı LED ışık 2 saniye açık, 2 saniye kapalı olacaktır)<br>1 sn: Merdiven zamanlayıcısı anahtar kontrolü için kısa devre etkisi (Elektrik yükü 1 saniye açık, 9 saniye kapalı olacaktır) |
| Zaman 2                | HVAC için kapatma zamanının ertelenmesini ayarla | Aralık: Yaklaşık 10 saniye ila 60 dakika arasında ayarlanabilir  |

### 5.2 Tuşla Lux öğrenme işlevi

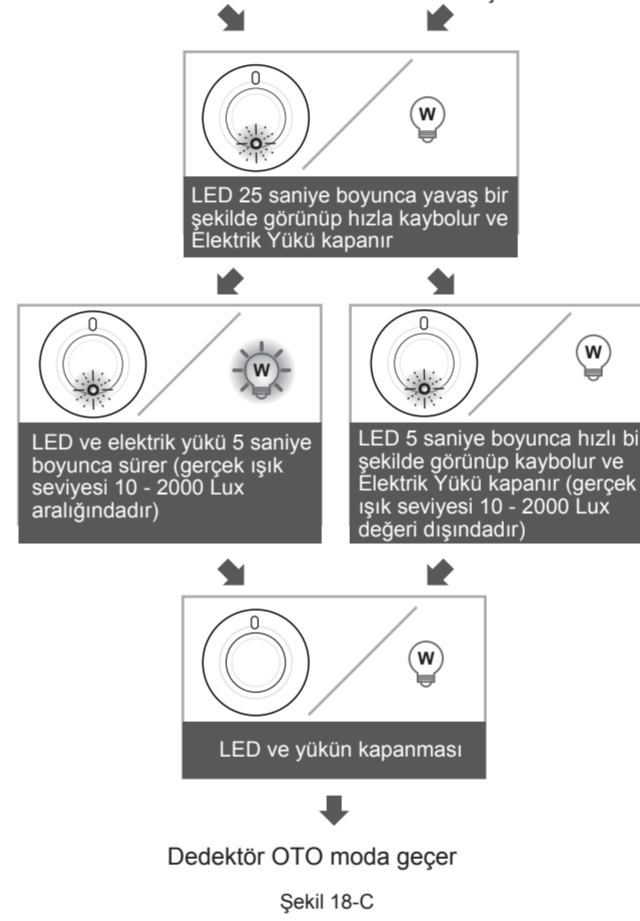
Öğrenme prosedürü:

- Ortam ışık seviyesi istenilen değere geldiğinde tuşu "☀" seçeneğine ayarlayın (Bkz. Şekil 18-A).
- Tuş gerçekte "☀" seçeneğine ayarlı olduğunda 1 saniyeden fazla bir başka pozisyona ayarlanmalı ve daha sonrasında "☀" seçeneğine geri getirilmelidir (Bkz. Şekil 18-B).
- Sonrasında elektrik yükü kapanır. LED, öğrenme moduna girdiğini belirtmek için yavaş bir şekilde görünerek kaybolmaya başlar. Öğrenme, 25 saniye içinde tamamlanır. Daha sonrasında LED ve elektrik yükü 5 saniye boyunca açık kalır veya LED 5 saniye boyunca hızlı bir şekilde görünüp kaybolur ve elektrik yükü başarılı bir öğrenme gerçekleştirdiğini doğrulamak için kapanır (Bkz. ŞEK. 18-C).
- Öğrenme prosedüründen sonra LED ve elektrik yükü kapalı bir şekilde dedektör OTO moda döner.



Şekil 18-A

Şekil 18-B



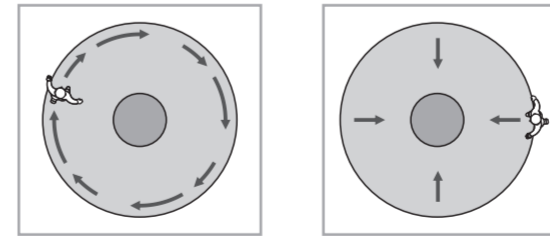
Şekil 18-C

### 5.3. Yürüme testi (Lux geçerli değildir)

Yürüme testini uygulamanın amacı, dedektör alanını kontrol etmek ve ayarlamaktır.

Test prosedürleri:

- Test eden kişi algılama kapsamında olmalıdır.
- Gücü açın.
- Dedektörün elektrik yüküyle ısınması 30 saniye sürer ve LED açık kalır ve daha sonra ısınıp kapanır.
- LED ve elektrik yükü 2 saniye boyunca açık kalana kadar dışarıdan algılama kapsamına doğru veya karşısında yürüyün (Bkz. Şekil 19).
- İstenilen algılama aralığı için metre tuşunu ayarlayın.



Şekil 19

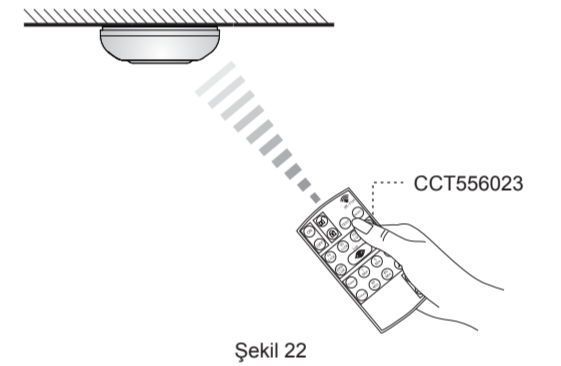
## 6 SORUN GİDERME

Dedektör normalden farklı çalıştığında, sorununuzu çözmeye yardımcı olacak aşağıdaki tabloda belirtilen varsayımsal sorunlara ve önerilen çözümlere bakın.

| Sorun                        | Muhtemel neden   | Önerilen çözüm  |
|------------------------------|--|---|
| LED yanmıyor                 | 1. Güç sağlanmıyor.<br>2. Yanlış kablolama.                              | 1. Gücü açın.<br>2. Elektrik yükünü kablo çaplarına göre bağlayın (Bkz. Şekil 5 - Şekil 6).   |
| Aydınlatma cihazı açılmıyor  | 1. Yanlış kablolama.<br>2. Arızalı elektrik yükü.                        | 1. Elektrik yükünü kablo çaplarına göre bağlayın (Bkz. Şekil 5 - Şekil 6).<br>2. Devre dışı bırakılan elektrik yükünü yenisiyle yerleştirin.                                    |
| Aydınlatma cihazı kapanmıyor | 1. Dedektör tetiklenmiyor.<br>2. Yanlış kablolama.                       | 1. Testi yaparken dedektörü etkinleştirmekten kaçınmak için algılama kapsamından uzak durun.<br>2. Elektrik yükünü kablo çaplarına göre bağlayın (Bkz. Şekil 5 - Şekil 6).      |
| Tetiklenmiyor                | 1. Işığı yansıtan metalik malzemeler.<br>2. Kurulum yüzeyinin titreşimi. | 1. Dedektörün ışığı yansıtan herhangi bir metalik malzemeyle doğru bakıp bakmadığını kontrol edin.<br>2. Dedektörün titreşen bir yüzeye monte edilip edilmediğini kontrol edin. |

## 7 OPSİYONEL AKSESUAR

7.1 Dedektörde kolay ve güvenli ayarlamalar yapmak için uyumlu bir kuzlöltesi uzaktan kumandanın (ürün no. CCT556023) satın alınması kesinlikle önerilir.

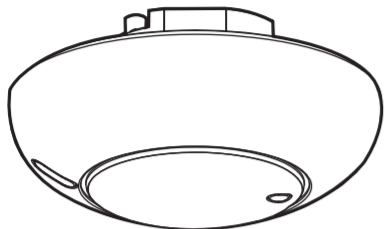


Şekil 22

Schneider Electric Industrie SAS

Herhangi bir teknik sorunuz varsa, lütfen ülkenizdeki Müşteri Hizmetleri Merkezine başvurun.  
schneider-electric.com/contact

# ARGUS



## 使用说明书

| 技术规范                        |  |
|-----------------------------|--|
| 额定电压                        | 220 V - 240 V~ 50/60 Hz  |
| 负载                          | 照明负载 I (L): $\mu$<br>白炽灯: 最高 2000 W<br>高压卤素灯: 最高 1000 W<br>低压卤素灯: 最高 1000 VA<br>荧光灯: 最高 900 VA<br>LED 灯: 最高 100 W<br>节能灯 (CFL): 最高 100 W |
| 暖通空调系统负载 II (D1-D2) (照度无效): | 继电器额定值 最高 5 A ( $\cos\phi = 1$ ), 250 V AC<br>电动机负载: 最高 100 W  |
| 频率                          | 5.8 GHz  |
| 探测角度                        | 360°   |
| 探测范围                        | 可调节至 $\Phi$ 14 m (H = 2.5 - 5 m)<br>可调节至 $\Phi$ 14 m (H = 5.5 - 10 m)  |
| 自动关闭时间调节                    | 时间 1 (用于照明): 调节范围从约 10 秒至 30 分钟, 测试和秒<br>时间 2 (用于暖通空调系统): 调节范围从约 10 秒至 60 分钟   |
| 照度调节                        | 调节范围从约 10 Lux 至 $\infty$ 和 "☀" (学习范围: 10 Lux - 2000 Lux)   |
| 环境保护                        | 等级 II<br>IP40 (电源盒盖和欧洲标准接线盒的齐平式安装)<br>IP52 (接线盒的表面安装)  |

### 安全警告

| ⚠️ ⚠️ 危险   |  |
|--|--|
| <b>触点、爆炸或电弧闪光的危险</b>   |  |
| 务必由技能熟练的专业人员进行安全的电气安装。技能熟练的专业人员必须证明自己在以下领域中具有精深的知识:  |  |
| <ul style="list-style-type: none"> <li>接入安装网络</li> <li>多个电气设备的连接</li> <li>电缆的敷设</li> <li>安全标准、局部布线规章制度</li> <li>在使用布线连接之前, 切断输入电路并贴上标签。</li> </ul> |  |
| 不遵循上述指示将导致死亡或严重受伤。   |  |

## 1 包装内容物

| 样式 |     |                     |    |
|----|-----|---------------------|----|
| 项  | 感应器 | 螺钉 $\Phi$ 3 x 16 mm | 手动 |
| 数量 | 1   | 2                   | 1  |

| 样式 |     |                       |                        |      |
|----|-----|-----------------------|------------------------|------|
| 项  | 接线盒 | 防坠螺钉 $\Phi$ 3 x 15 mm | 木螺钉 $\Phi$ 4 x 25.4 mm | 电源盒盖 |
| 数量 | 1   | 4                     | 2                      | 1    |

- 可选择购买的附件

|    |                     |
|----|---------------------|
| 样式 |                     |
| 项  | IR 遥控器<br>CCT556023 |
| 数量 | 1                   |

## 2 产品说明

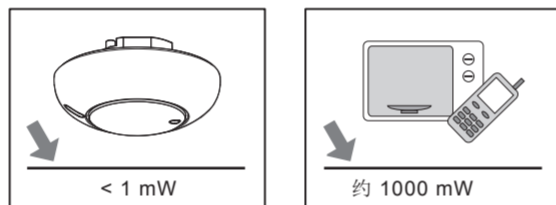
### 2.1 特性

- 安装高度可达 10 m; 具有高天花板的建筑物较为理想, 如仓库、体育馆等。
- 能检测到最轻微移动的高灵敏度。
- 无论移动越过还是朝向感应器, 灵敏度都不会改变。
- 控制各种各样灯具的强效电路设计。
- 测光传感器为内置式, 可以设定需要的光照等级, 以便在合适的时机自动接通受控照明, 从而在最大程度上节约能源、节省更多的电费。
- 安装方法各不相同: 有弹簧夹电源盒盖的天花板齐平式安装, 可以直接进行, 也可以结合现有欧洲标准接线盒; 以及将接线盒安装在天花板表面。
- 除了所提供的照度值以外, 可以通过红外装置或者旋钮读入环境照度, 作为接通/关断负载的阈值, 以便更为灵活的应用。
- 通过接入按钮开关, 可以实现手动接通/关断受控负载的附加功能。
- 提供红外遥控这一方便快捷的设定选项。

### 2.2 高频感应器的特点

- 2.2.1 高频传感器信号能够穿透非金属材料, 如木板、砖墙、玻璃等; 但是它无法穿透水和金属。
- 2.2.2 高频感应器具有高可靠性, 其感应范围较少受温度、气流、风等的影响。
- 2.2.3 湿度、振动以及移动物体的测量会削弱高频感应器的性能。
- 2.2.4 感应器对于速度不同的移动更为灵敏, 这会导致较大的感应范围; 而对于以同一速度的移动, 感应器灵敏性较弱, 因而其感应范围会减小。
- 2.2.5 由于其对于非金属材料的强大穿透性和高灵敏度, 它很容易被错误触发。在选择感应器位置时, 应该分外小心。

雷达模块的高频输出为 < 1 mW, 这仅相当于手机传输功率或者微波炉输出功率的约 0.1 %。



## 3 尺寸

- $\Phi$  107 x 50 mm

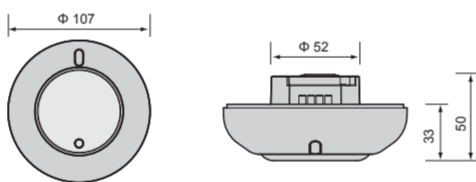


图 1-A

- 带电源盒盖的感应器 (可选购买)

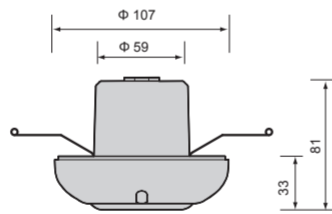


图 1-B

- 带接线盒的感应器 (可选购买)

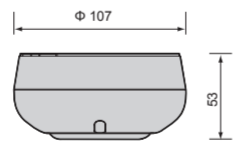


图 1-C

## 4 安装和布线

### 4.1 选择适当的位置

#### 4.1.1 感应范围

| 安装高度            | 感应范围        |            |
|-----------------|-------------|------------|
|                 | 仪表旋钮设定 "+"  | 仪表旋钮设定 "-" |
| H = 2.5 - 3.5 m | $\Phi$ 14 m | $\Phi$ 2 m |
| H = 4 - 5 m     | $\Phi$ 14 m | /          |
| H = 5.5 - 10 m  | $\Phi$ 10 m | /          |

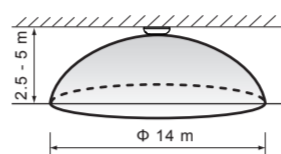


图 2-A

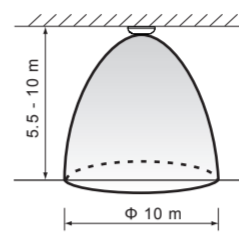


图 2-B

#### 4.1.2 安装的有用提示

感应器信号对不同材料的穿透, 请参见下表:

| 材料      | 穿透                  | 衰减          |
|---------|---------------------|-------------|
| PVC 和塑料 | 是                   | 5 % - 10 %  |
| 木头      | 是                   | 10 % - 20 % |
| 玻璃      | 是的, 玻璃的不同厚度可导致不同的衰减 | 15 % - 30 % |
| 砖头      | 是, 砖墙厚度小于 30 cm     | 60 % - 70 % |
| 钢筋混混凝土  | 否, 砖墙厚度大于 30 cm     | 100 %       |
| 金属      | 否                   | 100 %       |

#### 4.1.3 在天花板上安装感应器时

当木头、玻璃或砖制成的墙的厚度小于 30 cm (A) 时, 使感应器远离墙至少 4 m (B); 当墙的厚度大于 30 cm (A) 时, 使感应器远离墙至少 1 m (B)。此外, 用户可以调节仪表旋钮, 降低灵敏度并减小覆盖范围; 这样可以避免在人员通过墙外时产生错误触发。

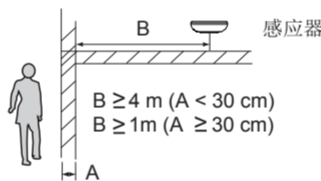


图 3

- 4.1.4 水管中的水流有可能触发高频感应器。建议: 如以下实施准则所述, 使感应器远离水管, 以避免误触发。

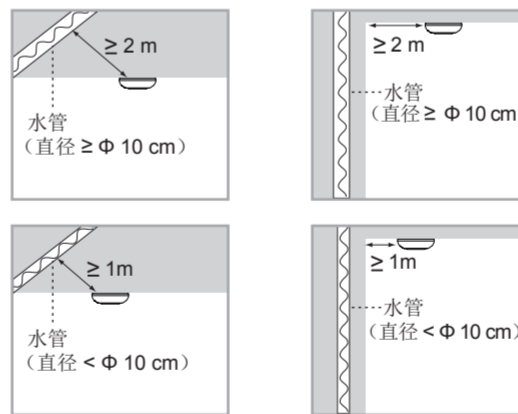


图 4

### 4.2 功能

#### 4.2.1 R 端子的功能

4.2.1.1 可以串联 R 端子和按钮 (N.O.), 从而启用负载上的开/关控制。  
(实例 1: 开 → 关; 实例 2: 关 → 开)。按下按钮时 ( $\leq$  1 秒): 请注意: 当红外遥控设定照明 (感应器) 为开 8 小时和关 8 小时状况时, 该功能无效。

#### 实例 1: 手动关断 (照度设定无效):

如果照明处于开模式, 则可以手动关断。  
如果通过按按钮 ( $\leq$  1 秒) 手动关断了照明 (激活手动关模式), 则即使触发感应器, 它将仍处于关断状态。  
如果房间长期闲置 (关断延迟时间已过), 则停用手动关状态 (= 手动关模式), 而感应器回到进入手动关模式之前的最后设置模式。  
如果设备处于手动关模式, 则第二次按按钮将激活手动开模式。

#### 实例 2: 手动接通 (照度设定无效):

如果照明处于关模式, 则可以手动接通。  
如果通过按按钮 ( $\leq$  1 秒) 手动接通了照明 (激活手动开模式), 则在感应器受到持续触发情况下, 它将保持接通; 当未检测到移动且关断延迟时间已过的情况下, 它会关闭, 而感应器回到进入手动开模式之前的最后设置模式。  
如果设备处于手动开模式, 则第二次按按钮将激活手动关模式。

#### 4.2.2 环境照度评估

根据可变环境照度, 感应器可以推迟负载的打开/关闭延迟时间, 以避免因环境照度快速变化 (环境照度从亮变为暗) 造成的不必要负载切换。如果环境照度保持低于预设照度值达 10 秒, 则在 10 秒后, 照明会自动接通。  
(LED 会点亮 10 秒, 加以指示)

环境照度从暗变为亮: 如果环境照度持续超出关断照度值达 5 分钟, 则根据时间设定值, 会有不同的反应。如果时间设定  $\geq$  5 分钟, 则照明会在 5 分钟后自动关断。

如果时间设定 < 5 分钟, 则当设定时间已到达, 且 5 分钟期间未检测到移动时, 照明会自动关断。但是如果在 5 分钟期间检测到移动, 则将在检测时重置时间; 直到 5 分钟过后, 照明会关断。

### 4.3 布线

| ⚠️ ⚠️ 危险   |  |
|--|--|
| <b>触电危险</b>  |  |
| 接线端子上存在危险的电压。  |  |
| <ul style="list-style-type: none"> <li>● 为避免发生伤害, 在进行安装前, 应闭锁供电电路并贴上标签。</li> <li>● 必须根据 EN60898-1 安装 C 型断路器 (250 V AC, 10 A)。</li> </ul> |  |
| 不遵循上述指示将导致死亡或严重受伤。   |  |

#### 4.3.1 CCT551023 用于标准应用 (见图 5)

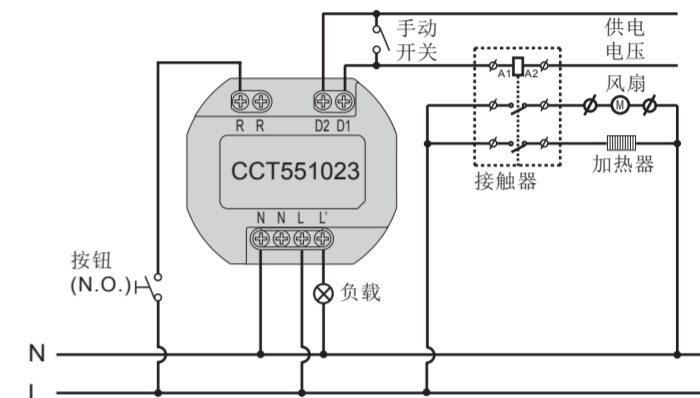


图 5

#### 4.3.2 CCT551023 控制楼梯计时器开关 (时间 1 应设定为 $\sqrt{1}$ 秒) (参见图 6)

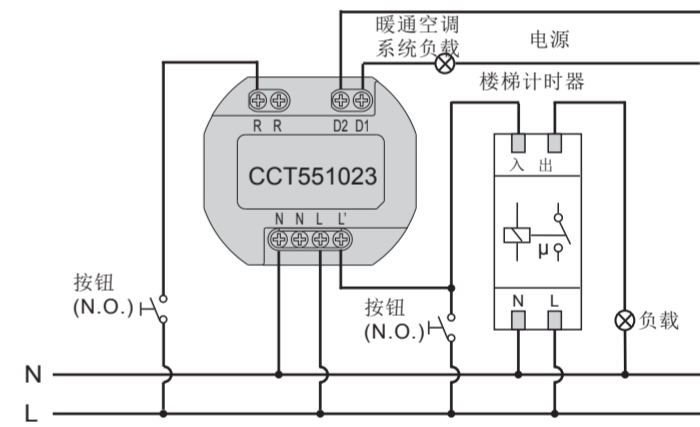


图 6

### 4.4 安装程序

#### 4.4.1 欧洲标准接线盒的齐平式安装

- 4.4.1.1 取下感应器的装饰框, 然后通过拧松其 4 个防坠螺钉, 从电源盒处拆开感应器头 (见图 7)。

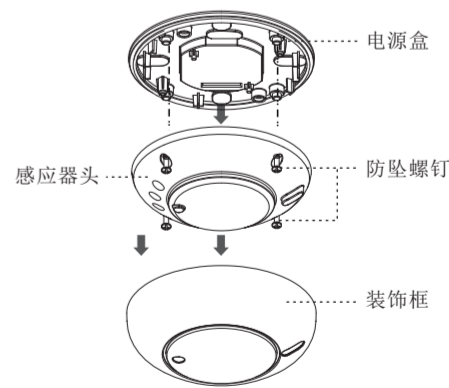


图 7

4.4.1.2 从欧洲标准接线盒中拉出交流电缆，然后剥去 6 - 8 mm 电缆包皮，用于布线（见图 8）。

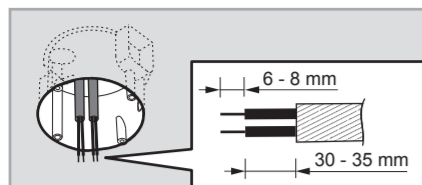


图 8

4.4.1.3 用两个螺钉，将电源盒固定在欧洲标准接线盒内（见图 9）。

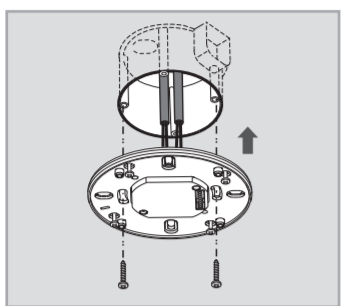


图 9

4.4.1.4 将其四个防坠螺钉插入相应的螺钉孔，把感应器头固定在电源盒上；然后遮盖装饰框（见图 7）。

4.4.1.5 恢复电源。

#### 4.4.2 电源盒盖的齐平式安装

4.4.2.1 安装感应器时，请在天花板上钻一个直径为 65 mm 的孔，并电源线留在外边。请剥去 6 - 8 mm 电缆包皮，用于布线（见图 10）。

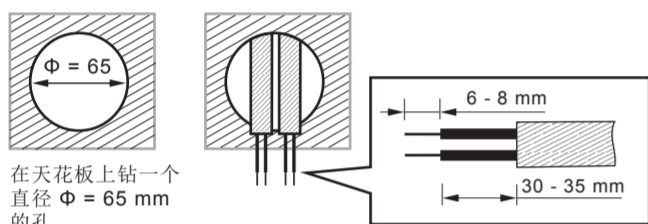


图 10

4.4.2.2 使用螺丝刀弄破电源盒盖上的橡胶垫片，然后在缺口处插入电缆（见图 11）。

4.4.2.3 请参见图 5 - 图 6 的插图说明，进行正确布线，然后拧紧电源盒盖。

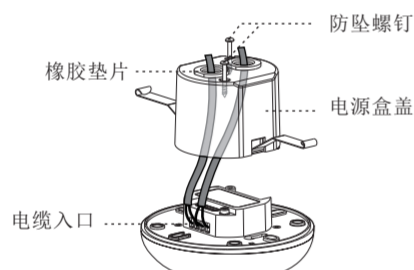


图 11

4.4.2.4 关闭感应器的两个弹簧夹，并将感应器插入天花板上的钻孔中（见图 12）。

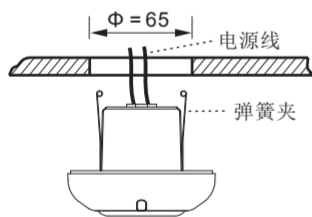


图 12

4.4.2.5 恢复电源。

#### 4.4.3 接线盒的表面安装

4.4.3.1 接线盒上共有四对敲孔，距离从 41 mm 到 85 mm 不等；可以对它们进行选择，用于不同的安装（见图 13-A）。在两端选择相应距离的两个相同数值，以便于固定（见图 13-B）。

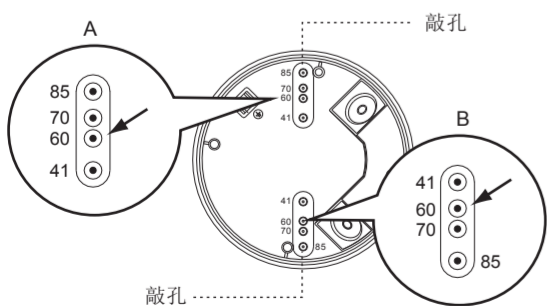


图 13-A

| 编号 | A  | B  | A 与 B 之间的距离 |
|----|----|----|-------------|
| 1  | 41 | 41 | 41 mm       |
| 2  | 60 | 60 | 60 mm       |
| 3  | 70 | 70 | 70 mm       |
| 4  | 85 | 85 | 85 mm       |

图 13-B

4.4.3.2 如要将交流电缆从接线盒侧面插入，请使用斜嘴钳剪开接线盒侧面电缆入口的敲孔，然后将电缆插入接线盒并拉出。将电缆包皮剥开 6 - 8 mm，用于布线（见图 14）。

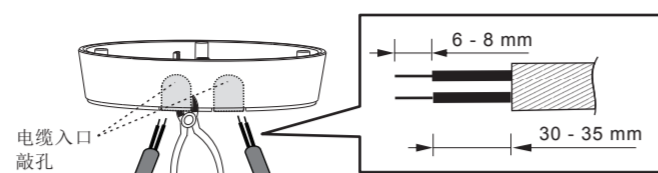


图 14

4.4.3.3 选择适当的敲孔，以便用配有橡胶垫的 2 个木螺钉将接线盒固定到天花板表面上（见图 15）。

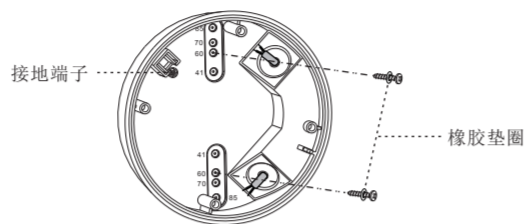


图 15

4.4.3.4 将 4 个防坠螺钉插入感应器固定板上的对应螺钉孔；这 4 个螺钉不会坠落，以便于后续安装（见图 16）。

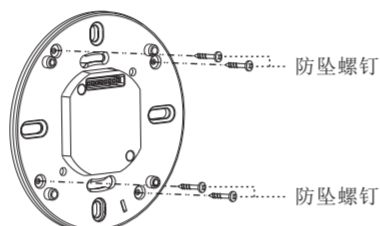


图 16

4.4.3.5 参见接线图，以便正确布线连接（见图 5 - 图 6）。固定板上方形孔；将固定板放入接线盒时，请将凹槽对准接线盒的突起（见图 17），然后将感应器头按图 9 所示安装到电源盒上，再用已装上的 4 个防坠螺钉完成组装。

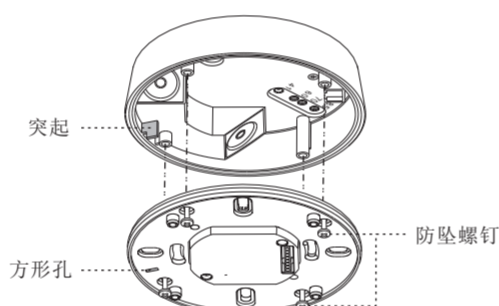


图 17

4.4.3.6 遮盖感应器的装饰框并恢复电源。

## 5 操作和功能

### 5.1 仪表、照度和时间旋钮

| 旋钮<br>(出厂设置) | 功能              | 旋钮设置  |
|--------------|-----------------|---|
|              | 设置感应器的灵敏度       | 范围：从“-”（约 $\Phi$ 4 m）到“+”（约 $\Phi$ 14 m）可调。参见 4.1.1。  |
|              | 设置打开负载的亮度值      | 范围：从约 10 Lux 到“ $\infty$ ”可调。<br>☞（学习）：可以读入实际环境照度（10 Lux - 2000 Lux）。                         |
|              | 照明的延迟关闭时间       | 范围：从约 10 秒到 30 分钟可调<br>测试：测试模式（负载和红色 LED 会打开 2 秒、关闭 2 秒）<br>楼梯计时器开关控制的短脉冲模式（负载会打开 1 秒、关闭 9 秒） |
|              | 设置暖通空调系统的延迟关闭时间 | 范围：从约 10 秒到 60 分钟可调   |

### 5.2 旋钮的照度学习功能

学习程序：

5.2.1 当环境照度符合所需值时，调节旋钮至“☞”（见图 18-A）。

5.2.2 当旋钮最初被设为“☞”时，应将它调节至其他位置多于 1 秒，然后回到“☞”（见图 18-B）。

5.2.3 然后负载关闭。LED 开始缓慢闪烁，表示进入学习模式。将在 25 秒内完成学习。之后，LED 和负载将保持打开 5 秒，或者 LED 迅速闪烁 5 秒而负载关闭，以确认成功的学习（见图 18-C）。

5.2.4 学习程序结束后，感应器回到“自动”模式，此时的 LED 和负载都处于关闭状态。

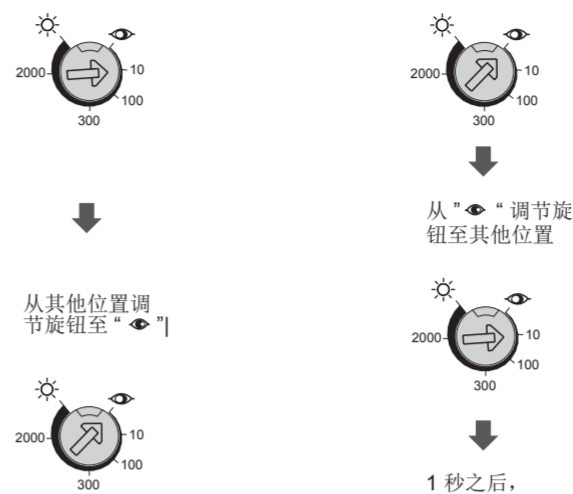


图 18-A

图 18-B

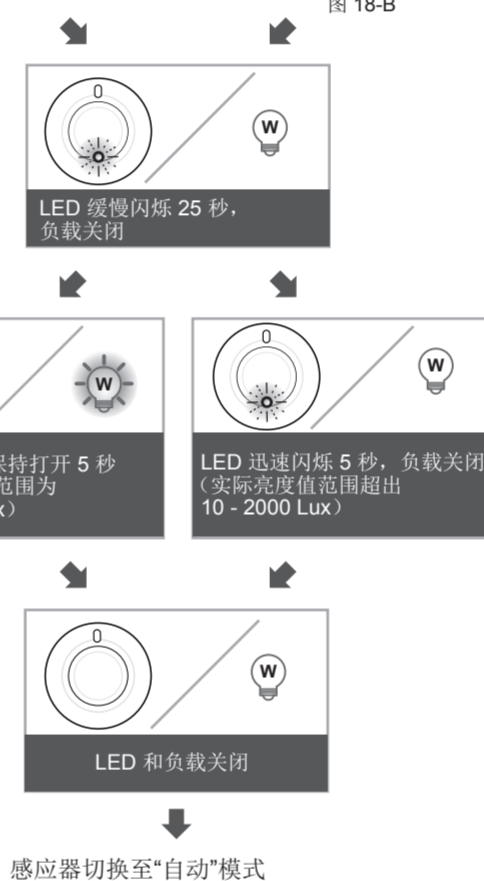


图 18-C

### 5.3 行走测试（照度无效）

进行行走测试的目的是检查并调节感应范围。

测试程序：

5.3.1 测试人员必须在感应范围之内。

5.3.2 接通电源。

5.3.3 在负载和 LED 保持打开的情况下，感应器需要花费约 30 秒时间预热；预热后关闭负载和 LED。

5.3.4 从外面走入，越过或朝向感应范围，直至 LED 和负载接通 2 秒钟（见图 19）。

5.3.5 调节仪表旋钮，进入要求的感应范围。

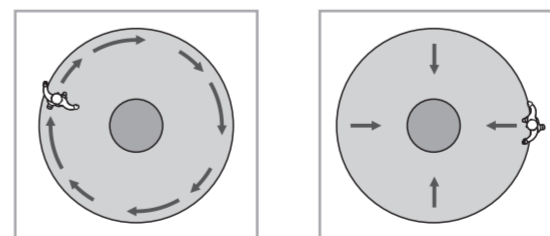


图 19

## 6 故障排除

感应器工作异常时，请查看下表中的假定问题和推荐的解决方案，以帮助您解决问题。

| 问题      | 可能的原因                     | 建议的解决方案  |
|---------|---------------------------|--|
| LED 未点亮 | 1. 没有供电。<br>2. 不正确的布线。    | 1. 接通电源。<br>2. 参考布线图，连接负载（见图 5 - 图 6）。                 |
| 照明设备不打开 | 1. 不正确的布线。<br>2. 负载发生故障。  | 1. 参考布线图，连接负载（见图 5 - 图 6）。<br>2. 用新负载更换发生故障的负载。        |
| 照明设备不关闭 | 1. 感应器被误触发。<br>2. 不正确的布线。 | 1. 远离感应范围，以避免在测试期间激活感应器。<br>2. 参考布线图，连接负载（见图 5 - 图 6）。 |
| 误触发     | 1. 反光金属材料。<br>2. 安装表面的振动。 | 1. 检查：感应器是否对准任何反光金属材料。<br>2. 检查：感应器是否安装在振动表面上。         |

## 7 选配附件

7.1 强烈推荐购买相应的红外遥控装置（产品编号 CCT556023），从而能够在感应器上进行方便且安全的设定操作。

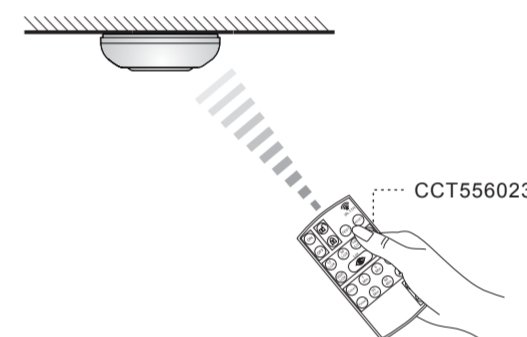


图 22

施耐德电气工业有限公司

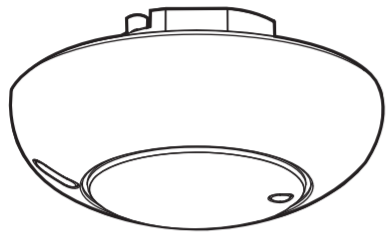
如果有技术上的问题，请与您在国家的客户服务中心联系。  
schneider-electric.com/contact

Руководство по эксплуатации

## Датчик присутствия ARGUS высокочастотный для высоких помещений – 2-канальный

Арт. №  
CCT551023

# ARGUS



## РУКОВОДСТВО ПО ЭКСПЛУАТАЦИИ

| ТЕХНИЧЕСКИЕ ХАРАКТЕРИСТИКИ                     |  |
|--|--|
| Номинальное напряжение                         | 220–240 В перем. тока, 50/60 Гц  |
| Нагрузка                                       | Нагрузка I (L) для освещения: $\mu$  |
|  | Лампа накаливания: макс. 2000 Вт   |
|  | Высоковольтная галогенная лампа: макс. 1000 Вт   |
|  | Низковольтная галогенная лампа: макс. 1000 ВА  |
|  | Флуоресцентная лампа: макс. 900 ВА   |
|  | Светодиодная лампа: макс. 100 Вт   |
|  | Энергосберегающая лампа (компактная люмин. лампа): макс. 100 Вт  |
|  | Нагрузка II (D1-D2) для системы отопления, вентиляции, кондиционирования воздуха (освещенность недействительна):   |
|  | Номинальные параметры реле: макс. 5 А (cos $\phi$ = 1), 250 В перем. тока  |
|  | Нагрузка электродвигателя: макс. 100 Вт  |
| Частота  | 5,8 ГГц  |
| Угол обнаружения                               | 360°   |
| Диапазон обнаружения                           | Регулируется до $\varnothing$ 14 м (H = 2,5–5 м)   |
|  | Регулируется до $\varnothing$ 10 м (H = 5,5–10 м)  |
| Регулировка времени автоматического выключения | Время 1 (для освещения): Регулируется от прикл. 10 с до 30 мин. Испытание и $\uparrow$ $\downarrow$  |
|  | Время 2 (для системы отопления, вентиляции, кондиционирования воздуха): Регулируется от прикл. 10 с до 60 мин  |
| Регулировка освещенности                       | Регулируется от прикл. 10 лк до $\infty$ и « $\odot$ » (диапазон обучения: от 10 лк до 2000 лк)  |
| Защита окружающей среды                        | Класс II<br>IP40 (монтаж заподлицо с крышкой силовой коробки и распределительной коробкой по европейскому стандарту)<br>IP52 (поверхностный монтаж с распределительной коробкой) |

### Предупреждение о безопасности

| ОПАСНО   |  |
|--|--|
| <b>ОПАСНОСТЬ ПОРАЖЕНИЯ ЭЛЕКТРИЧЕСКИМ ТОКОМ, ВЗРЫВА ИЛИ ВСПЫШКИ ДУГИ</b>  |  |
| Безопасный электрический монтаж должен выполняться только квалифицированными специалистами. Квалифицированные специалисты должны доказать глубокие знания в следующих областях:  |  |
| <ul style="list-style-type: none"> <li>• подключение к сетям инсталляции;</li> <li>• подключение нескольких электрических приборов;</li> <li>• прокладка электрических кабелей;</li> <li>• стандарты безопасности, местные нормы и правила подключения.</li> </ul> |  |
| • Отключите входную цепь и установите предупредительную табличку перед доступом к проводным соединениям.   |  |
| <b>Несоблюдение этих инструкций может привести к серьезным травмам или смерти.</b>   |  |

## 1 СОДЕРЖИМОЕ УПАКОВКИ

|             |                           |   |                                 |
|-------------|---------------------------|---|---------------------------------|
| Изображение |                           |   |                                 |
| Описание    | Датчик                    | Винт $\varnothing$ 3 x 16 мм              | Руководство                     |
| Количество  | 1                         | 2   | 1                               |
| Изображение |                           |   |                                 |
| Описание    | Распределительная коробка | Невыпадающий винт $\varnothing$ 3 x 15 мм | Шуруп $\varnothing$ 4 x 25,4 мм |
| Количество  | 1                         | 4   | 2                               |
|             |                           |   | Крышка силовой коробки          |
|             |                           |   | 1                               |

### ● Принадлежности (опция)

|             |  |
|-------------|--|
| Изображение |  |
| Описание    | ИК-пульт дистанционного управления CCT556023 |
| Количество  | 1  |

## 2 ОПИСАНИЕ ИЗДЕЛИЯ

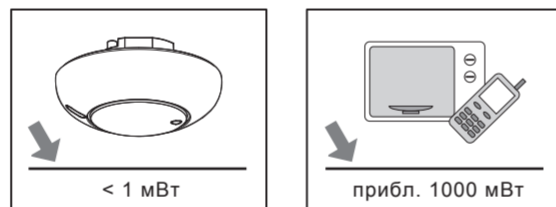
### 2.1 Характеристики

- Может быть установлено на высоте до 10 м, идеально подходит для здания с высокими потолками, такого как склад, спортзал и т. д.
- Высокая чувствительность для обнаружения малейшего движения.
- Чувствительность не зависит от того, направлено ли движение поперек датчика или к нему.
- Мощный схема для управления всеми видами ламп.
- Датчик обнаружения света встроен для установки необходимого уровня освещенности, чтобы включать управляемое освещение автоматически в нужный момент для максимальной экономии энергии и дополнительной экономии расходов на электроэнергию.
- Различные способы монтажа, включая монтаж заподлицо на потолке с крышкой силовой коробки с пружинными зажимами непосредственно или в сочетании с существующей распределительной коробкой по европейскому стандарту и поверхностный монтаж на потолке с распределительной коробкой.
- Для повышения гибкости применения изделия помимо предоставленных значений освещенности в качестве порогового значения для включения/выключения нагрузок можно ввести уровень окружающей освещенности с помощью ИК-пульта дистанционного управления или ручки.
- Дополнительная функция ручного включения/выключения управляемой нагрузки реализуется путем подключения кнопочного выключателя.
- ИК-пульт дистанционного управления доступен как опция для выполнения легких и быстрых настроек.

### 2.2 Характеристики высокочастотного датчика присутствия

- 2.2.1 Излучение высокочастотного датчика способно проникать через неметаллические материалы, такие как деревянная доска, кирпичная стена, стекло и т. д., но оно не может проникать через воду и металл.
- 2.2.2 Высокочастотный датчик присутствия имеет высокую надежность и его диапазон обнаружения меньше зависит от таких факторов, как температура, воздушный поток, ветер и т. д.
- 2.2.3 Влажность, вибрация, а также измерение движущегося предмета может ослабить эффективность высокочастотного датчика.
- 2.2.4 Датчик более чувствителен к перемещению с различной скоростью, что приводит к увеличению диапазона обнаружения, и менее чувствителен к перемещению с одной и той же скоростью, что, следовательно, уменьшает диапазон обнаружения.
- 2.2.5 Датчик может ложно срабатывать из-за сильной способности его излучения проникать через неметаллические материалы и его высокой чувствительности. Поэтому необходимо проявлять повышенную осторожность при выборе места расположения датчика.

Мощность выходного высокочастотного сигнала радиолокационного модуля < 1 мВт, что составляет примерно лишь 0,1 % мощности передачи мобильного телефона или выходной мощности микроволновой печи.



## 3 РАЗМЕРЫ

- $\varnothing$  107 x 50 мм

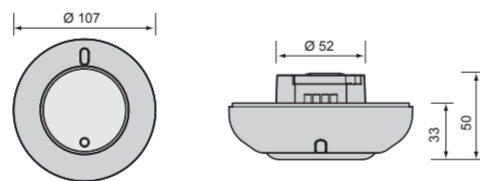


Рис. 1-А

- Датчик с крышкой силовой коробки (опция)

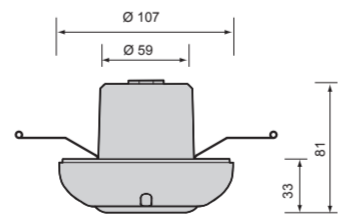


Рис. 1-В

- Датчик с распределительной коробкой (опция)

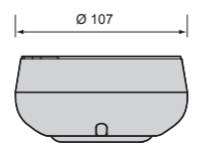


Рис. 1-С

## 4 УСТАНОВКА И ПОДКЛЮЧЕНИЕ

### 4.1 Выбор подходящего места

#### 4.1.1 Область обнаружения

| Высота установки | Диапазон обнаружения               |                                    |
|------------------|------------------------------------|------------------------------------|
|                  | Ручка измерения установлена на «+» | Ручка измерения установлена на «-» |
| H = 2,5–3,5 м    | $\varnothing$ 14 м                 | $\varnothing$ 2 м                  |
| H = 4–5 м        | $\varnothing$ 14 м                 | /                                  |
| H = 5,5–10 м     | $\varnothing$ 10 м                 | /                                  |

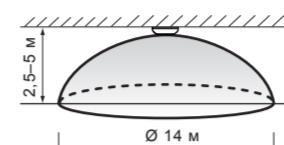


Рис. 2-А

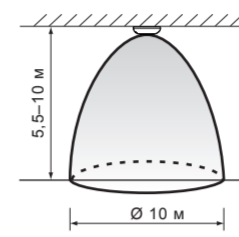


Рис. 2-В

#### 4.1.2 Полезные советы по установке

См. проникновение излучения датчика через различные материалы с таблице ниже:

| Материал         | Проникновение                                   | Ослабление |
|------------------|---|------------|
| ПВХ и пластмасса | Да  | 5–10 %     |
| Дерево           | Да  | 10–20 %    |
| Стекло           | Да, ослабление может зависеть от толщины стекла | 15–30 %    |
|                  | Да, кирпичная стена толщиной менее 30 см        | 60–70 %    |
| Кирпич           | Нет, кирпичная стена толщиной более 30 см       | 100 %      |
|                  | Железобетон                                     | Нет        |
| Металл           | Нет   | 100 %      |

#### 4.1.3 Монтаж датчика на потолке

Держите датчик на расстоянии (B) не менее 4 м от деревянной, стеклянной или кирпичной стены, толщина которой (A) меньше 30 см, или расстоянии (B) не менее 1 м от стены, толщина которой (A) больше 30 см. Также пользователи могут отрегулировать ручку измерения так, чтобы уменьшить чувствительность и область обнаружения, что позволяет избежать ложных срабатываний при прохождении людей снаружи стены.

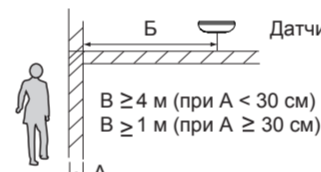


Рис. 3

- 4.1.4 Поток воды в водопроводе может привести к срабатыванию высокочастотного датчика. Рекомендуется держать датчик на удалении от водопроводной трубы в соответствии со следующими рекомендациями, чтобы избежать ложного срабатывания.

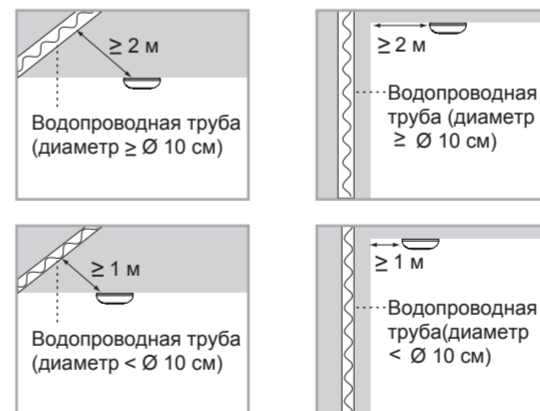


Рис. 4

### 4.2 Функция

#### 4.2.1 Функция клеммы R

- 4.2.1.1 Клемма R и кнопка (Н.Р.) могут быть соединены последовательно для обеспечения ручного управления включением/выключением нагрузки. (Случай 1: Вкл. → Выкл.; случай 2: Выкл. → Вкл.). При нажатии кнопки ( $\leq$  1 с): Обратите внимание, что эта функция недействительна, когда освещение (датчик) находится в условиях включения на 8 часов и выключения на 8 часов, установленных ИК-пультом дистанционного управления.

#### Случай 1: Ручное выключение (установленное значение освещенности недействительно):

Если освещение находится в режиме включения, его можно выключить вручную. Если освещение выключается вручную нажатием ( $\leq$  1 с) на кнопку (активация режима ручного выключения), оно остается выключенным даже при срабатывании датчика. Если в помещении никого нет в течение более длительного периода (время задержки выключения истекло), состояние ручного выключения (= режим ручного выключения) деактивируется, после чего датчик возвращается в режим последнего установленного значения перед входом в режим ручного выключения. Если устройство находится в режиме ручного выключения, повторное нажатие на кнопку активирует режим ручного включения.

Случай 2: Ручное включение (установленное значение освещенности недействительно):

Если освещение находится в режиме выключения, его можно включить вручную. Если освещение включается вручную нажатием ( $\leq$  1 с) на кнопку (активация режима ручного включения), оно продолжает оставаться включенным, когда датчик постоянно срабатывает, и выключается, когда не обнаружено никакого движения и время задержки выключения истекло, после чего датчик возвращается в режим последнего установленного значения перед входом в режим ручного включения. Если устройство находится в режиме ручного включения, повторное нажатие на кнопку активирует режим ручного выключения.

#### 4.2.2 Оценка окружающей освещенности

В зависимости от изменения уровня окружающей освещенности датчик может отсрочить время задержки включения и выключения нагрузки во избежание ненужного переключения нагрузки при быстром изменении окружающей освещенности: Уровень окружающей освещенности меняется от яркого к темному: Если уровень окружающей освещенности сохраняется ниже предустановленного значения в течение 10 с, свет автоматически включается через 10 с. (светодиод загорится на 10 с для индикации) Уровень окружающей освещенности меняется от темного к яркому: Если уровень окружающей освещенности превышает значение освещенности для включения непрерывно в течение 5 мин, возможны различные реакции в зависимости от установленного значения времени. Если установленное значение времени  $\geq$  5 мин, свет автоматически выключается через 5 мин. Если установленное значение времени < 5 мин, свет автоматически выключается по истечении установленного времени, если движение не обнаружено в течение 5 мин. Но, если в течение 5 мин обнаружено движение, время сбрасывается при обнаружении и свет выключается через 5 минут.

### 4.3 Подключение

#### ⚠ ОПАСНО

#### ОПАСНОСТЬ ПОРАЖЕНИЯ ЭЛЕКТРИЧЕСКИМ ТОКОМ

На клеммах присутствует опасное напряжение.  
• Во избежание травм заблокируйте цепь питания и установите предупредительную табличку перед установкой.  
• Необходимо установить автоматический выключатель (250 В перем. тока, 10 А) типа С согласно EN 60898-1.

**Несоблюдение этих инструкций может привести к серьезным травмам или смерти.**

#### 4.3.1 CCT551023 для стандартного применения (см. рис. 5)

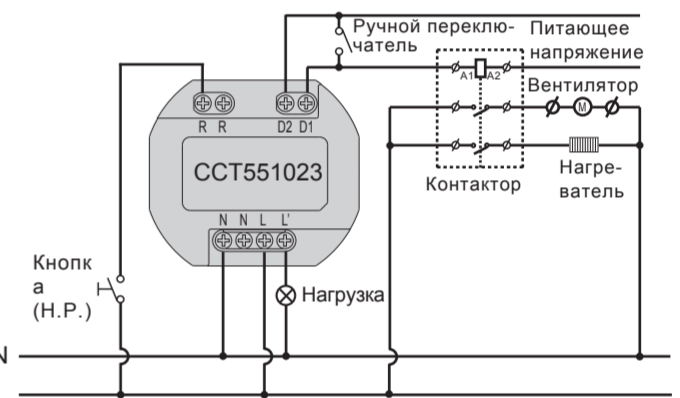


Рис. 5

#### 4.3.2 CCT551023 управляет лестничным таймером с реле (значение Время 1 должно быть установлено на $\uparrow$ $\downarrow$ ) (см. рис. 6)

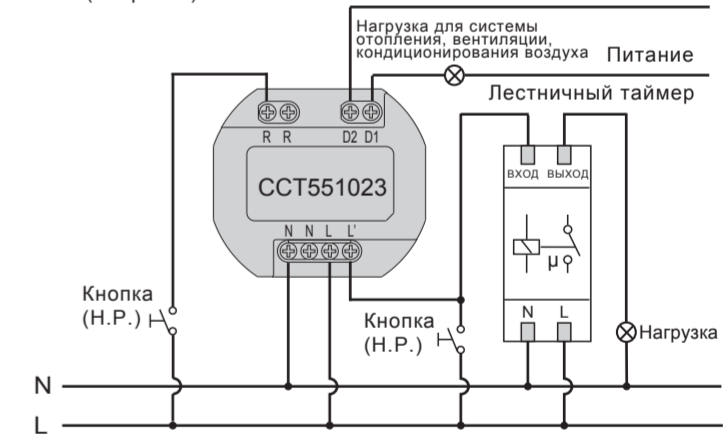


Рис. 6

### 4.4 Порядок монтажа

#### 4.4.1 Монтаж заподлицо с распределительной коробкой по европейскому стандарту

- 4.4.1.1 Снимите декоративную рамку датчика, затем отделите головную часть датчика от силовой коробки, открутив 4 невыпадающих винта (см. рис. 7).

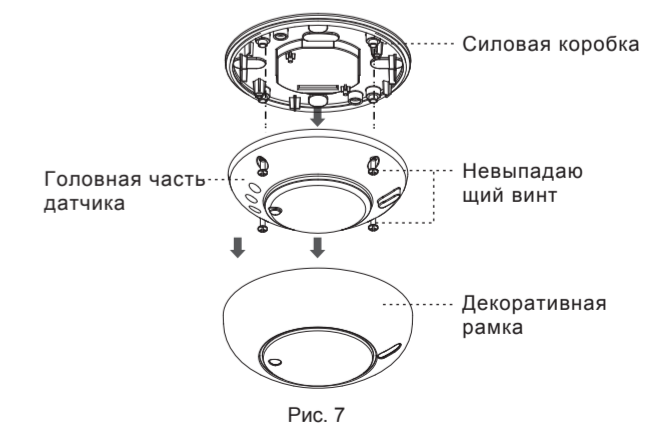


Рис. 7

4.4.1.2 Вытяните кабели питания переменного тока из распределительной коробки по европейскому стандарту, затем зачистите изоляцию кабеля на 6–8 мм для подключения (см. рис. 8).

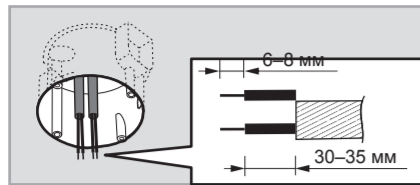


Рис. 8

4.4.1.3 Закрепите силовую коробку в распределительной коробке по европейскому стандарту двумя винтами (см. рис. 9).

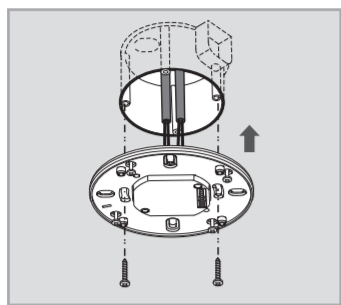


Рис. 9

4.4.1.4 Установите головную часть датчика на силовую коробку и закрепите 4 невыпадающими винтами, предварительно вставив их в соответствующие отверстия под винты, а затем наложите декоративную рамку (см. рис. 7).

4.4.1.5 Восстановите подачу питания.

4.4.2 Монтаж заподлицо с крышкой силовой коробки

4.4.2.1 Чтобы установить датчик, просверлите отверстие диаметром 65 мм в потолочной плите и держите кабель питания снаружи. Зачистите изоляцию кабеля на 6–8 мм для подключения (см. рис. 10).

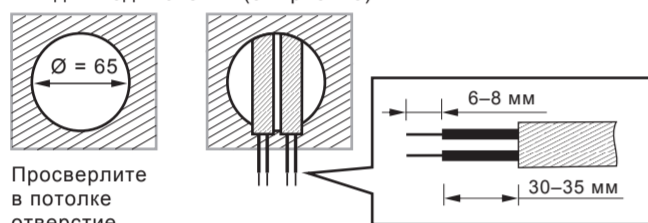


Рис. 10

4.4.2.2 Снимите резиновую прокладку с крышки силовой коробки с помощью отвертки, а затем проведите через нее кабели (см. рис. 11).

4.4.2.3 Выполните подключение в соответствии с изображением на рис. 5 и 6, а затем плотно прикрутите крышку силовой коробки.

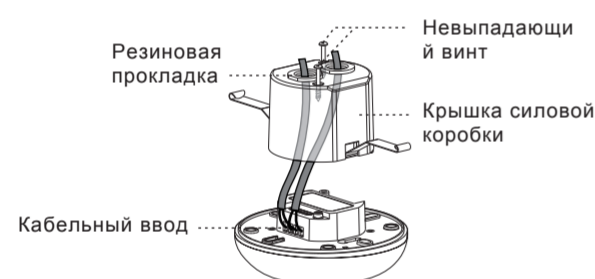


Рис. 11

4.4.2.4 Закройте два пружинных зажима датчика и вставьте датчик в просверленное отверстие на потолке (см. рис. 12).

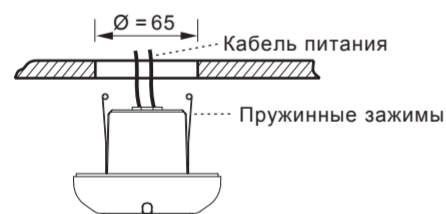


Рис. 12

4.4.2.5 Восстановление подачи питания.

4.4.3 Поверхностный монтаж с распределительной коробкой

4.4.3.1 На распределительной коробке имеются 4 пары мест для вывешивания отверстий с различными расстояниями между ними (от 41 мм до 85 мм), которые можно выбрать для различных вариантов монтажа (см. рис. 13-A). Выберите два одинаковых числа с обоих концов для соответствующего расстояния для крепления (см. рис. 13-B).

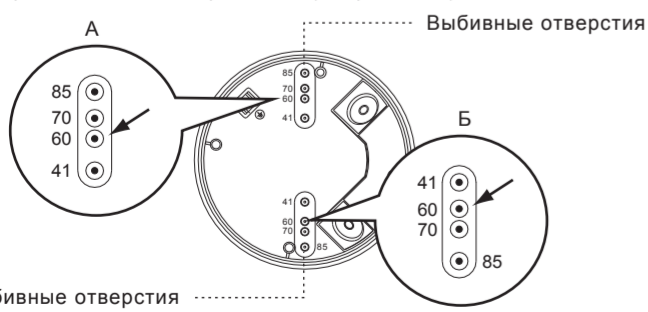


Рис. 13-A

| № | А  | Б  | Расстояние между А и В |
|---|----|----|------------------------|
| 1 | 41 | 41 | 41 мм                  |
| 2 | 60 | 60 | 60 мм                  |
| 3 | 70 | 70 | 70 мм                  |
| 4 | 85 | 85 | 85 мм                  |

Рис. 13-B

4.4.3.2 Чтобы пропустить кабели питания переменного тока через боковую сторону распределительной коробки, с помощью кусачек пробейте выбивные отверстия для ввода кабеля с боковой стороны распределительной коробки, а затем вставьте кабели в распределительную коробку и пропустите через нее. Зачистите изоляцию кабеля на 6–8 мм для подключения (см. рис. 14).

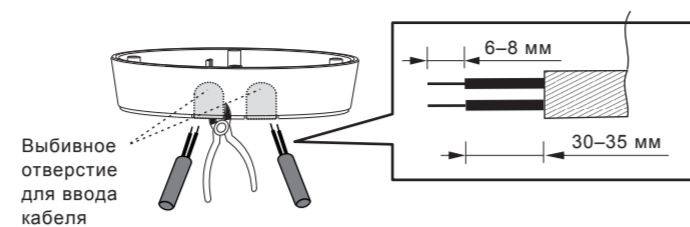


Рис. 14

4.4.3.3 Выберите соответствующие выбивные отверстия для крепления распределительной коробки на поверхности потолочной плиты двумя шурупами с резиновой шайбой (см. рис. 15).

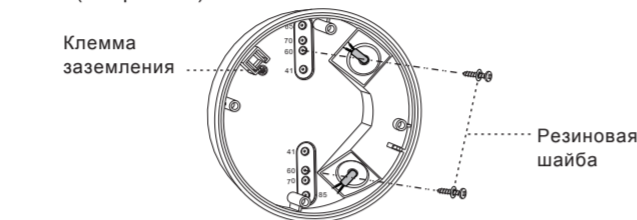


Рис. 15

4.4.3.4 Вставьте 4 невыпадающих винта в соответствующие отверстия под винты на крепящей пластине датчика, при этом эти 4 винта не будут выпадать, что очень удобно для последующих установок (см. рис. 16).

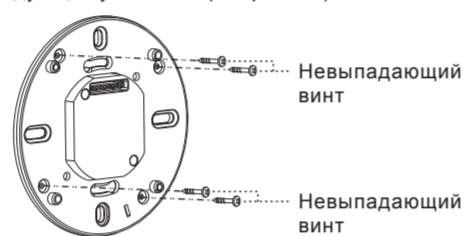


Рис. 16

4.4.3.5 См. правильное подключение проводки на схемах подключения (см. рис. 5 и 6). В крепящей пластине имеется квадратное отверстие. При установке крепящей пластины в распределительную коробку приложите паз к выступу распределительной коробки (см. рис. 17), а затем установите головную часть датчика на силовую коробку согласно рис. 9 и закрепите 4 невыпадающими винтами из комплекта поставки.

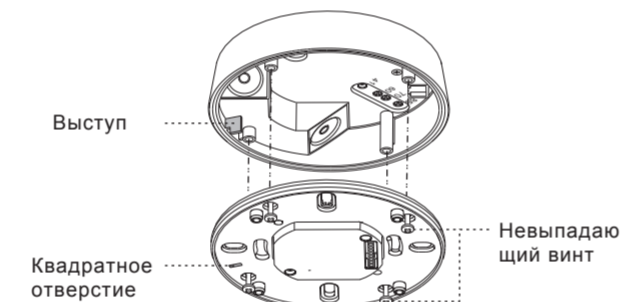


Рис. 17

4.4.3.6 Наложите декоративную рамку датчика и восстановите подачу питания.

## 5 РАБОТА И ФУНКЦИИ

### 5.1 Установка ручек измерения, освещенности и времени

| Ручка (установка на заводе-изготовителе) | Функция       | Установка ручки   |
|--|---------------|---|
|  | Измерение     | Диапазон: Регулируется от «-» (прибл. Ø 4 м) до «+» (прибл. Ø 14 м). См. 4.1.1.   |
|  | Освещенность  | Диапазон: Регулируется от прибл. 10 лк до «☀» (∞).<br>☛ (обучение): Можно ввести фактический уровень освещенности (10–2000 лк).   |
|  | Время/Время 1 | Диапазон: Регулируется от прибл. 10 с до 30 мин<br>Испытание: Режим испытания (нагрузка и красный светодиод будут 2 с включены, 2 с выключены)<br>: Режим коротких импульсов для управления лестничным таймером с реле (нагрузка будет 1 с включена, 9 с выключена) |
|  | Время 2       | Диапазон: Регулируется от прибл. 10 с до 60 мин   |

### 5.2 Функция обучения освещенности с помощью ручки

Порядок обучения:

- 5.2.1 Переведите ручку в положение «☛», когда уровень окружающей освещенности будет соответствовать нужному значению (см. рис. 18-A).
- 5.2.2 Если ручка изначально установлена в положение «☛», она должна быть переведена в другое положение на время более 1 с, а затем возвращена в положение «☛» (см. рис. 18-B).
- 5.2.3 Затем нагрузка выключается. Светодиод начинает медленно мигать, указывая на переход в режим обучения. Обучение завершается в течение 25 секунд. После этого светодиод и нагрузка остаются включенными 5 с или светодиод быстро мигает в течение 5 с, и нагрузка выключается, чтобы подтвердить успешное обучение (см. рис. 18-C).
- 5.2.4 После проведения обучения датчик возвращается в автоматический режим, при этом светодиод и нагрузка выключены.

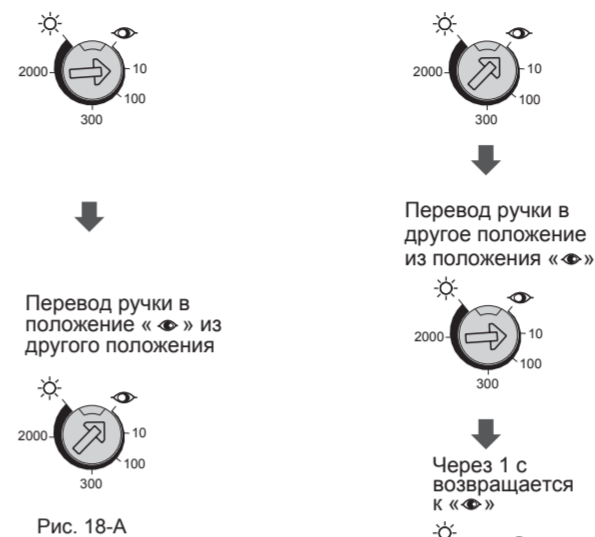


Рис. 18-A

Рис. 18-B



Датчик переключается в автоматический режим

Рис. 18-C

### 5.3. Испытание при ходьбе (освещенность недействительна)

Целью проведения испытания при ходьбе является проверка и регулировка области обнаружения.

Порядок испытания:

- 5.3.1 Лицо, проводящее испытание, должно находиться в пределах области обнаружения.
- 5.3.2 Включите питание.
- 5.3.3 Датчику требуется приблизительно 30 с для прогрева, при этом нагрузка и светодиод остаются включенными, а после прогрева они выключаются.
- 5.3.4 Пройдите снаружи поперек или по направлению к области обнаружения, пока светодиод и нагрузка не включатся на 2 с (см. рис. 19).
- 5.3.5 Регулировка ручки измерения на нужный диапазон обнаружения.

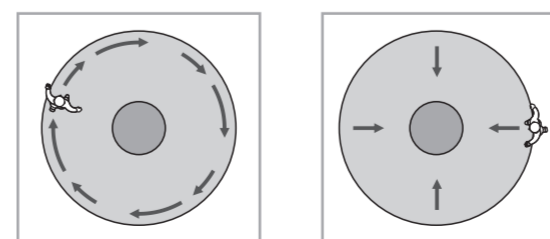


Рис. 19

## 6 ПОИСК И УСТРАНЕНИЕ НЕИСПРАВНОСТЕЙ

Если датчик работает неправильно, проверьте возможные проблемы и предлагаемые решения в приведенной ниже таблице, что, надо надеяться, решит проблему.

| Проблема                                | Возможная причина  | Рекомендуемое решение  |
|---|--|--|
| Светодиод не загорается                 | 1. Не подается питание.<br>2. Неправильное подключение.                      | 1. Включите питание.<br>2. Подключите нагрузку в соответствии со схемами подключения (см. рис. 5 и 6).   |
| Осветительное устройство не включается  | 1. Неправильное подключение.<br>2. Неисправная нагрузка.                     | 1. Подключите нагрузку в соответствии со схемами подключения (см. рис. 5 и 6).<br>2. Замените отключенную нагрузку новой.  |
| Осветительное устройство не выключается | 1. Ложное срабатывание датчика.<br>2. Неправильное подключение.              | 1. Держитесь на удалении от области обнаружения во избежание активации датчика при проведении испытания.<br>2. Подключите нагрузку в соответствии со схемами подключения (см. рис. 5 и 6). |
| Ложное срабатывание                     | 1. Отражающие металлические материалы.<br>2. Вибрация поверхности установки. | 1. Проверьте, не направлен ли датчик на какие-либо отражающие металлические материалы.<br>2. Проверьте, не смонтирован ли датчик на вибрирующей поверхности.                               |

## 7 ОПЦИОНАЛЬНАЯ ПРИНАДЛЕЖНОСТЬ

7.1 Настоятельно рекомендуется приобрести соответствующий ИК-пульт дистанционного управления (арт. № CCT556023) для легкого и надежного выполнения операций установки на датчике.

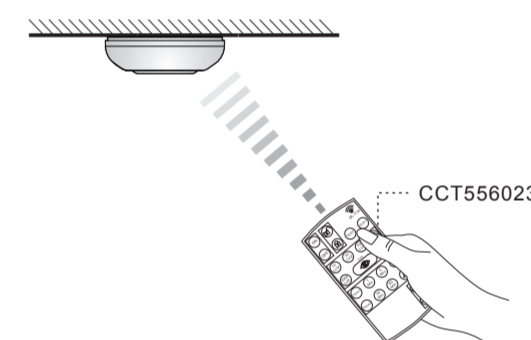


Рис. 22

### Компания «Schneider Electric Industries SAS»

По техническим вопросам обращайтесь в центр поддержки клиентов в своей стране.  
schneider-electric.com/contact