



Product designation

Wobble stick,
omnidirectional
KNM

Product type designation

General characteristics

Material

Housing	Aluminium-zinc alloy
Rod	Flexible

Contact characteristics

Type of contact

1NO+1NC Slow action

Thermal current I_{th}

A	10
---	----

IEC/EN 60947-5-1 designation

A300 Q300

Rated insulation voltage U_i

V	440
---	-----

Rated impulse withstand voltage U_{imp}

kV	4
----	---

Short-circuit protection with fuse

Class/A	10 gG/SC QUICK FUSE
---------	------------------------

Switching speed

min	m/s	0.5
max	m/s	1.5

IEC Conventional free air thermal current I_{th}

A	10
---	----

Resistance per pole (average value)

mΩ	<10
----	-----

Mechanical features

Operating head fixing

Locking bayonet insert

Operating torque

Ncm	1
ozin	1.42

Tightening torque (Max)

Switch fixing

Nm	2.5
lbin	22.1

Contact terminals

Nm	0.8
lbin	7

Body lid screw fixing

Nm	0.8
lbin	7

Conductor section

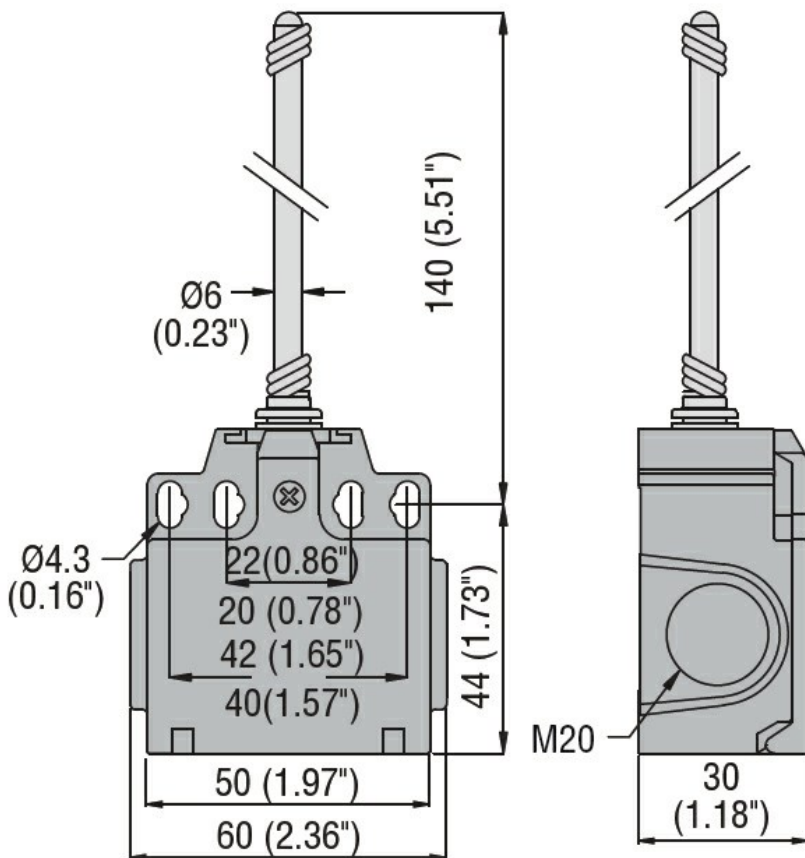
AWG/Kcmil

min	16
max	14

IEC

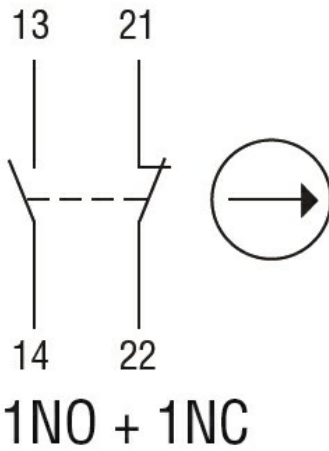
min	mm ²	1 or 2
max	mm ²	2.5

Cable connection	Self-releasing screw terminal		
Cable entry	M20 on the sides		
Operations			
Mechanical life	cycles	<10000000	
Mechanical operation	cycles/h	3600	
Ambient conditions			
Temperature			
Operating temperature			
	min	°C	-25
	max	°C	+70
Storage temperature			
	min	°C	-40
	max	°C	+70
Resistance & Protection			
IP degree			
	Terminals	IP20	
	Body housing	IP65	
Pollution degree			
		3	
Dimensions			



Wiring diagrams

Slow action



Certifications and compliance

Compliance

CSA C22.2 n° 14

EN 50047

IEC/EN 60204-1

IEC/EN 60947-1

IEC/EN 60947-5-1

UL508

Certificates

CCC

cULus

EAC

ETIM classification

ETIM 8.0

EC000030 - End
switch