

G13 Push-through Lampholders

For fluorescent lamps T8 (T26), T12 (T38)

Lampholders with integrated starter holder have push-in twin terminals for the lamp circuit and push-in terminals for the starter circuit.

Pin support for reliable contact

Max. permitted temperature T_m

on the rear side of the lampholder: 110 °C

G13 push-through lampholders for lamps T8 and T12

Lamp axis: 23 mm

Casing: PC, white, frontplate: PBT GF, white

T140, nominal rating: 2/500

Push-in terminals: 0.5–1 mm²

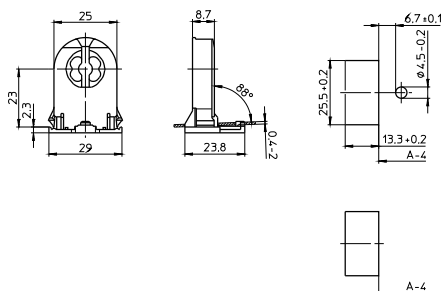
Lateral fixing clips for wall thickness 0.4–2 mm

Weight: 6 g, packaging unit: 1000 pcs.

Type: 27700/27701

Ref. No.: 109330 with stop

Ref. No.: 109331 without stop



G13 Roticlic push-through lampholders

for lamps T8 and T12

Lamp axis: 23 mm

Casing: PC, white, frontplate: PBT GF, white

T140, nominal rating: 2/500

Push-in terminals: 0.5–1 mm²

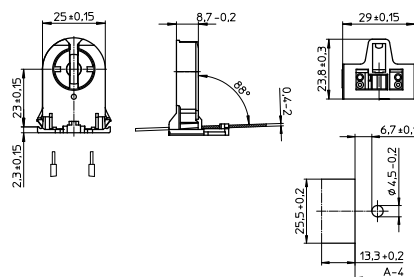
Lateral fixing clips for wall thickness 0.4–2 mm

Weight: 6.8 g, packaging unit: 1000 pcs.

Type: 27700/27701

Ref. No.: 546641 with stop

Ref. No.: 546642 without stop



G13 push-through lampholders for lamps T8 and T12

Lamp axis: 31 mm

Casing: PC, white, rotor: PBT, white

T130, nominal rating: 2/500

Push-in terminals: 0.5–1 mm²

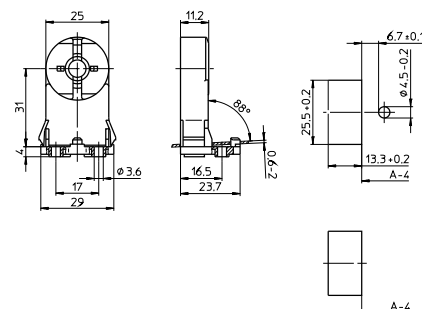
Lateral fixing clips for wall thickness 0.6–2 mm

Weight: 9.9 g, packaging unit: 1000 pcs.

Type: 28500/28501

Ref. No.: 100591 with stop

Ref. No.: 100593 without stop



G13 push-through lampholders for lamps T8 and T12

With starter attachment, lamp axis: 31 mm

Casing: PC, white, rotor: PBT, white

T130, nominal rating: 2/250

Push-in terminals: 0.5–1 mm²

Lateral fixing clips for wall thickness 0.6–2 mm

Weight: 16 g, packaging unit: 500 pcs.

Type: 28600/28601

Ref. No.: 100596 with stop

Ref. No.: 100598 without stop

