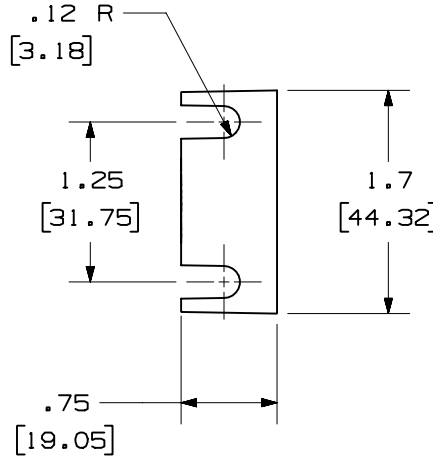
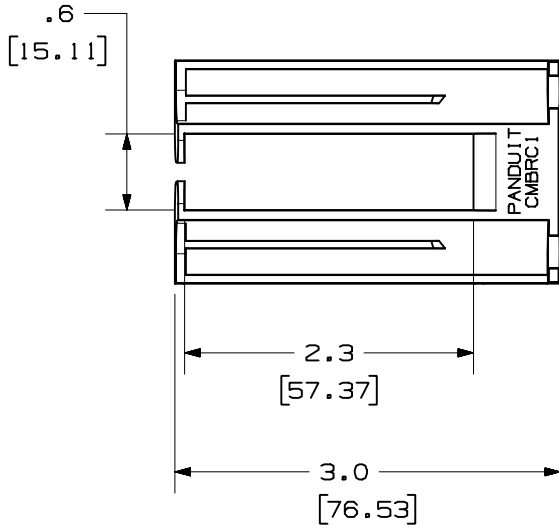


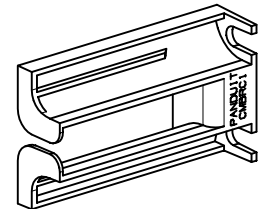
THIS COPY IS PROVIDED ON A RESTRICTED BASIS AND IS NOT TO BE USED IN ANY WAY DETRIMENTAL TO THE INTERESTS OF PANDUIT CORP.

NOTES:

1. IDENTIFICATION: PATCH PANEL BEND RADIUS CLIP  
     PART NO. CMBRC1      COLOR BLACK
2. COMPONENTS:  
     (2) BEND RADIUS CLIPS
3. MAINTAINS A 1/2" BEND RADIUS.
4. DIMENSIONS IN PARENTHESIS ARE METRIC.
5. CAN BE USED WITH ANY EIA STANDARD RACK.
6. CAPACITY: 16 CAT 5e PATCH CORDS



PANDUIT P/N	WEIGHT
CMBRC1	.03 LBS/EACH 14 g/EACH



MODEL FILENAME M10057LC\_ZERO\_RUCLIP\_01.PRT

CAD FILENAME/LAYERS M10057LC\_DC\_01A.PRT

PANDUIT CORP. TINLEY PARK, ILLINOIS

PATCH PANEL BEND RADIUS CLIP (CMBRC1) CUSTOMER DRAWING

UNLESS OTHERWISE SPECIFIED, DIMENSIONAL TOLERANCES ARE:  
 (.X) ± .03 (.XXX) ± .005  
 (.XX) ± .015 ANGLES ± 1°

UNLESS OTHERWISE SPECIFIED, ALL DIMENSIONS ARE GIVEN IN INCHES, THIRD ANGLE PROJECTION.

DRAWN BY JDWE

MAT'L:

SCALE 3/4

DATE 3-12-02

PVC

DRAWING NO.

10057-02

DWG SIZE A

REV	DATE	BY	CHK	DESCRIPTION	ECN	R	CUST	SUP	OTH
R	3-12-02	JDWE		RELEASED TO PRODUCTION	10057-02				