

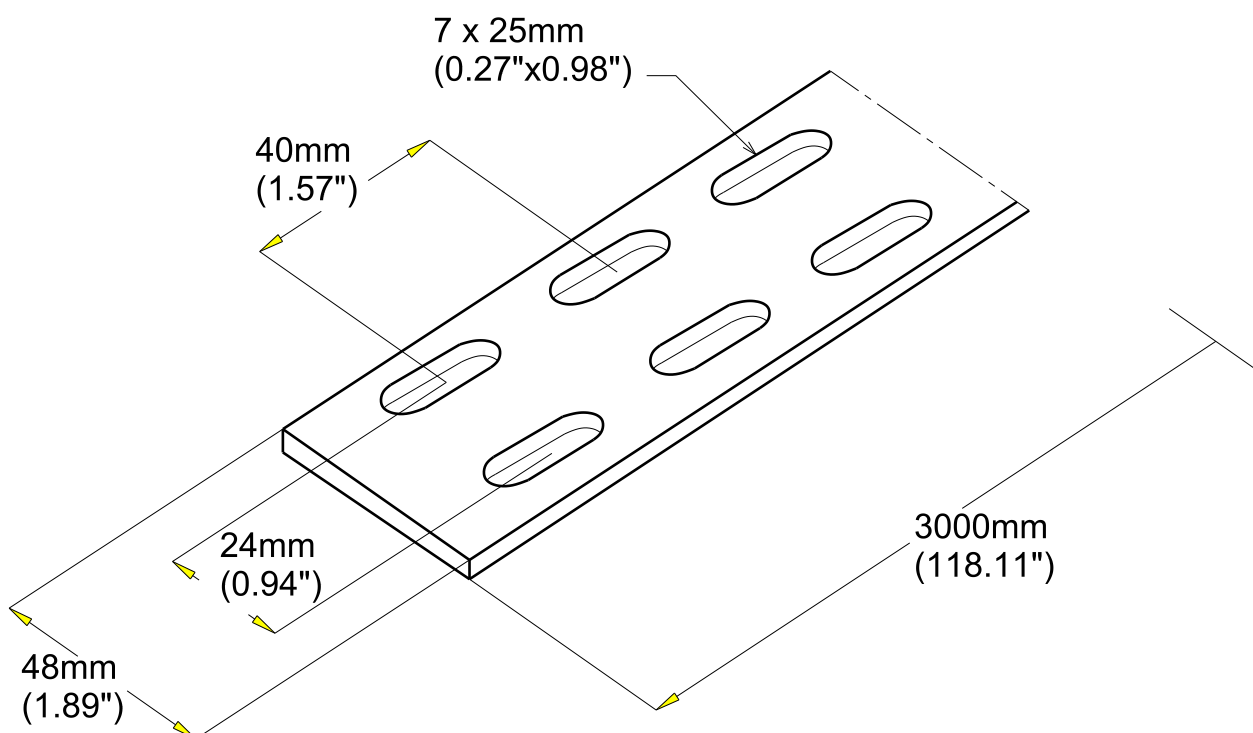
PROFIL PLAT PL48-175
 PL48-175 FLAT SECTION

GS
 PG

legrand | CABLE
 MANAGEMENT

FT0251-0

02 16



Material	Standard
DX51D Z 275 MAC	EN 10 346

EPAISSEUR / THICKNESS
1.75 / (0.07")

REF	CODE	POIDS (Kg/m)	WEIGHT (lb/ft)
PL 48-175	524 101	0.560	0.377