

Plugs and receptacles for industrial use: 32 A 4/5-pole up to 415 V



Inlet



Plug



Wall socket



Wall socket w. interlock switch 4-pole

Technical data

Plugs and receptacles - industrial use acc. to IEC 60309-1/2 up to 690 V

Permissible ambient temperature	-20 °C to +40 °C / -45 °C to +55 °C (optional) ¹⁾
Rated voltage	690 V
Rated current	32 A
Frequency	50/60 Hz
External back-up fuse, max.	without therm. protection: 32 A
Protection class	I
Degree of protection accd. to EN 60529	IP66

Wall socket with interlock switch

Rated making / Rated breaking capacity AC-3 accd. EN 60947-3 for wall socket with switch	U_g 500 V / I_g 20 A
Cable entry	1 x M40 cable gland, 1 x M40 thread plug plastic
Connecting terminals	2 x 4 – 10 mm ²
Enclosure material	glass-fibre reinforced polyester

Wall socket without switch

Cable entry	2 x M25 top, M25 bottom
Connecting terminals	1 x 4 – 10 mm ²
Enclosure material	Polyamide

Plug

Cable entry	Ø 17 - 28 mm
Connecting terminals	1 x 1 – 6 mm ²
Enclosure material	Polyamide

Coupler

Cable entry	Ø 17 - 28 mm
Connecting terminals	2 x 4 – 10 mm ²
Enclosure material	Polyamide

Flange socket/Inlet

Connecting terminals	2 x 4 – 10 mm ²
Enclosure material	Polyamide

¹⁾ extended temperature range on request

Details for used cable glands see pages 2.3.ff

Plugs and receptacles for industrial use: 32 A 4/5-pole up to 415 V

1



Wall socket



Flange socket

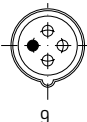

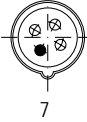
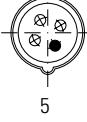



Coupler



Plug

Ordering details

Voltage	h	Type	Weight approx.	Order No.
Type 32 A 4-pole				
200-250 V		Wall socket	1.0 kg	GHG 522 2409 R0001
		Wall socket with interlock switch	2.15 kg	GHG 522 4409 R0001
		Plug	0.6 kg	GHG 522 7409 R0001
		Coupler	1.5 kg	GHG 522 3409 R0001
		Flange socket	0.5 kg	GHG 522 8409 R0001
		Inlet	0.32 kg	GHG 522 9409 R0001
380-415 V		Wall socket	1.0 kg	GHG 522 2406 R0001
		Wall socket with interlock switch	2.15 kg	GHG 522 4406 R0001
		Plug	0.6 kg	GHG 522 7406 R0001
		Coupler	1.5 kg	GHG 522 3406 R0001
		Flange socket	0.5 kg	GHG 522 8406 R0001
		Inlet	0.32 kg	GHG 522 9406 R0001
480-500 V		Wall socket	1.0 kg	GHG 522 2407 R0001
		Wall socket with interlock switch	2.15 kg	GHG 522 4407 R0001
		Plug	0.6 kg	GHG 522 7407 R0001
		Coupler	1.5 kg	GHG 522 3407 R0001
		Flange socket	0.5 kg	GHG 522 8407 R0001
		Inlet	0.32 kg	GHG 522 9407 R0001
600-690 V		Wall socket	1.0 kg	GHG 522 2405 R0001
		Wall socket with interlock switch	2.15 kg	GHG 522 4405 R0001
		Plug	0.6 kg	GHG 522 7405 R0001
		Coupler	1.5 kg	GHG 522 3405 R0001
		Flange socket	0.5 kg	GHG 522 8405 R0001
		Inlet	0.32 kg	GHG 522 9405 R0001
Type 32 A 5-pole				
200-250 V 380-415 V		Wall socket	1.1 kg	GHG 522 2506 R0001
		Wall socket with interlock switch	2.25 kg	GHG 522 4506 R0001
		Plug	0.65 kg	GHG 522 7506 R0001
		Coupler	1.6 kg	GHG 522 3506 R0001
		Flange socket	0.51 kg	GHG 522 8506 R0001
		Inlet	0.33 kg	GHG 522 9506 R0001

Other voltage ranges and versions available on request

Plugs and receptacles for industrial use: 32 A 4/5-pole up to 415 V



Plug



Coupler

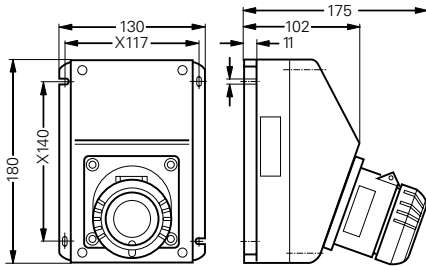


Flange socket

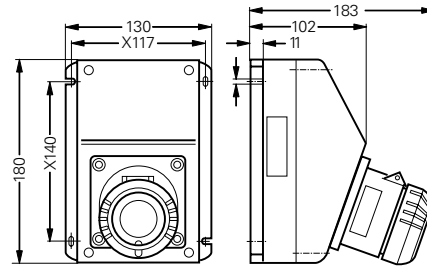


Wall socket w. interlock switch 5-pole

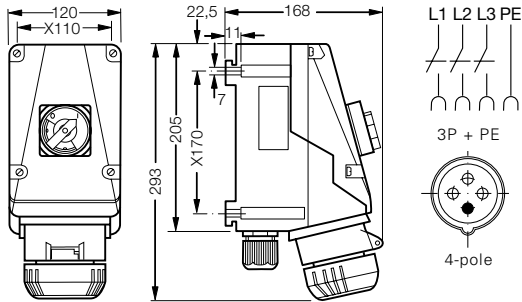
Dimension drawing | Wiring diagram



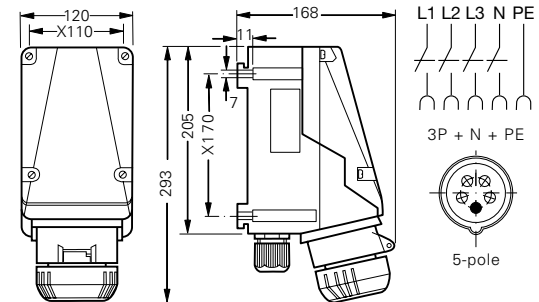
Wall socket 4-pole



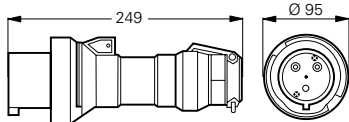
Wall socket 5-pole



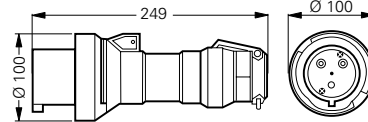
Wall socket with interlock switch 4-pole



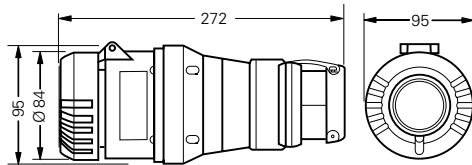
Wall socket with interlock switch 5-pole



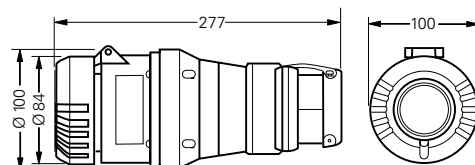
Plug 4-pole



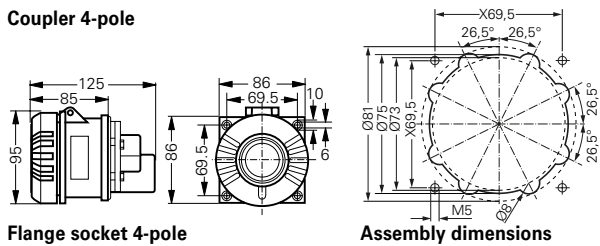
Plug 5-pole



Coupler 4-pole

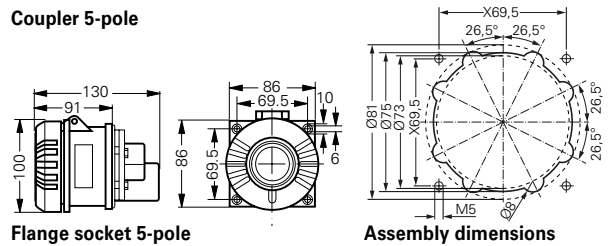


Coupler 5-pole



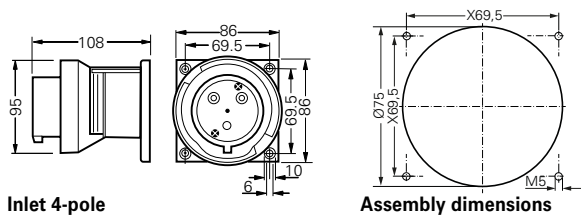
Flange socket 4-pole

Assembly dimensions



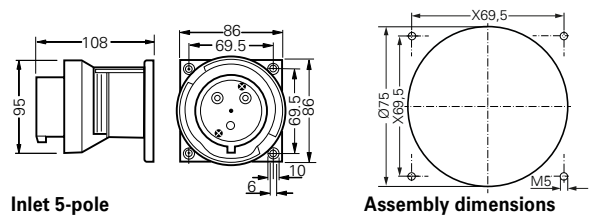
Flange socket 5-pole

Assembly dimensions



Inlet 4-pole

Assembly dimensions



Inlet 5-pole

Assembly dimensions

X = fixing dimensions

Dimensions in mm

Accessories plugs and receptacles 32 A for industrial use



Mounting plate



Plug cap



Protective canopy

Accessories

Type	Application	Fixing method	Order No.
Mounting plates for wall sockets 32 A			
Size 5	for wall mounting	snap on	GHG 610 1953 R0128
Size 5	for trellis mounting	snap on	GHG 610 1953 R0128
Size 5	pipe clamp	snap on	GHG 610 1953 R0132

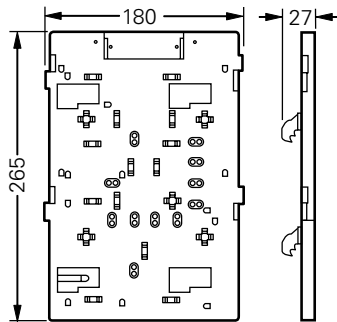
Type	Order No.
Plug cap for plugs 32 A	
Plug 32 A 3-pole/4-pole	GHG 510 1901 R0004
Plug 32 A 5-pole	GHG 510 1901 R0005

Type	OU	Order No.
Accessories for mounting plates		
Mounting set for pipes 1" (Ø 27 - 30 mm) for mounting plates with pipe fixing	10	GHG 610 1953 R0020

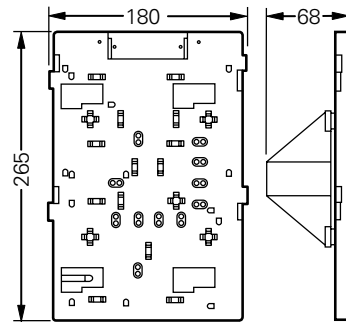
Please pay attention that only order units (OU) according to the ordering details can be delivered.

Type	Application	Order No.
Protective canopy for mounting plate		
Size 5	for mounting plate size 5, snap on	GHG 610 1955 R0108

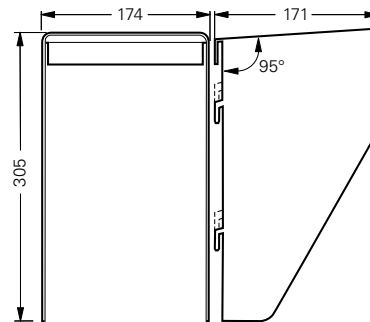
Dimension drawing



Mounting plate size 5
for wall/trellis mounting



Mounting plate size 5
for pipe mounting



Protective canopy size 5