

Part number

CKH 03 I



Bulkhead mounting housing, CKH series, with 1 lever, size "21.21"

Product description

Product type	Bulkhead mounting housing
Series	CKH
Closing type	With 1 lever
Size	Size "21.21"
Cable entry	Without cable entry

Technical data

IP degree of protection	IP44 (IP66/IP67/IP69 with CKRH 65/CKRH 65 D kits)
--------------------------------	---

Further technical details

Weight	9,00 g
Operating temperature range (min, max)	-40°C...+70°C

Material properties

Main material	Polyamide (PA)
Other materials	Lever: Polypropylene (PP), metal-detectable Gasket: Silicone rubber
Colour	RAL 7012 grey, RAL 5005 blue

General ordering information

EAN13 code	8015747272001
eCl@ss 8.1	27440202
ETIM 7.0	EC000437

Packaging Information

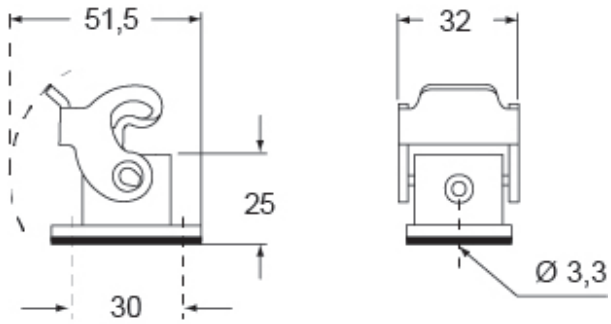
Sub-packaging description	Plastic bag
Sub-packaging quantity	1 Pcs
Sub-packaging EAN barcode	8015747280457

Part number

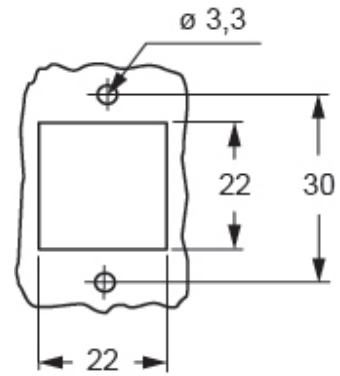
CKH 03 I



Catalogue drawings



Catalogue drawings



Notes

Dimensions shown in mm are not binding and may be changed without notice.
