



## Product Compliance

[For compliance documentation, visit the product page on TE.com>](#)

EU RoHS Directive 2011/65/EU	Compliant
EU ELV Directive 2000/53/EC	Compliant
China RoHS 2 Directive MIIT Order No 32, 2016	No Restricted Materials Above Threshold
EU REACH Regulation (EC) No. 1907/2006	Current ECHA Candidate List: JUNE 2022 (224) Candidate List Declared Against: JAN 2021 (211) Does not contain REACH SVHC
Halogen Content	Not Yet Reviewed for halogen content
Solder Process Capability	Not reviewed for solder process capability

### Product Compliance Disclaimer

This information is provided based on reasonable inquiry of our suppliers and represents our current actual knowledge based on the information they provided. This information is subject to change. The part numbers that TE has identified as EU RoHS compliant have a maximum concentration of 0.1% by weight in homogenous materials for lead, hexavalent chromium, mercury, PBB, PBDE, DBP, BBP, DEHP, DIBP, and 0.01% for cadmium, or qualify for an exemption to these limits as defined in the Annexes of Directive 2011/65/EU (RoHS2). Finished electrical and electronic equipment products will be CE marked as required by Directive 2011/65/EU. Components may not be CE marked. Additionally, the part numbers that TE has identified as EU ELV compliant have a maximum concentration of 0.1% by weight in homogenous materials for lead, hexavalent chromium, and mercury, and 0.01% for cadmium, or qualify for an exemption to these limits as defined in the Annexes of Directive 2000/53/EC (ELV). Regarding the REACH Regulation, the information TE provides on SVHC in articles for this part number is based on the latest European Chemicals Agency (ECHA) 'Guidance on requirements for substances in articles' posted at this URL: <https://echa.europa.eu/guidance-documents/guidance-on-reach>

## Compatible Parts

TE Part # 1SNA166525R1400 FIC-2/4-1	TE Part # 1SNA166529R2000 FIC-2/4-R	TE Part # 1SNA166546R2100 FIT-1/4-D	TE Part # 1SNA166547R2200 FIT-1/4-G
--	--	--	--

TE Part # 1SNA166550R0100  
FIT-2/4-1

TE Part # 1SNA166555R2200  
FIP-1/4-D

TE Part # 1SNA166556R2300  
FIP-1/4-G

TE Part # 1SNA166559R0600  
FIP-2/4-1

TE Part # 1SNA166644R0300  
FIT-2/1-2

TE Part # 1SNA166672R0700  
FIT-2/4-I

TE Part # 1SNA166819R2300  
FIC-2/1-1

TE Part # 1SNA166821R1500  
FIT-2/1-1

TE Part # 1SNA166877R2500  
FIDE-2/4

TE Part # 1SNA166897R1200  
FIDE-1/4-D

TE Part # 1SNA166898R2300  
FIDE-1/4-G

TE Part # 1SNA166936R1000  
FIC-2/4-2

TE Part # 1SNA166937R1100  
FIT-2/4-2

TE Part # 1SNA166939R2300  
FIP-2/4-2

TE Part # 1SNA166943R2700  
FIDE-2/4-2

TE Part # 1SNA166589R2500  
FIC-2/4-I

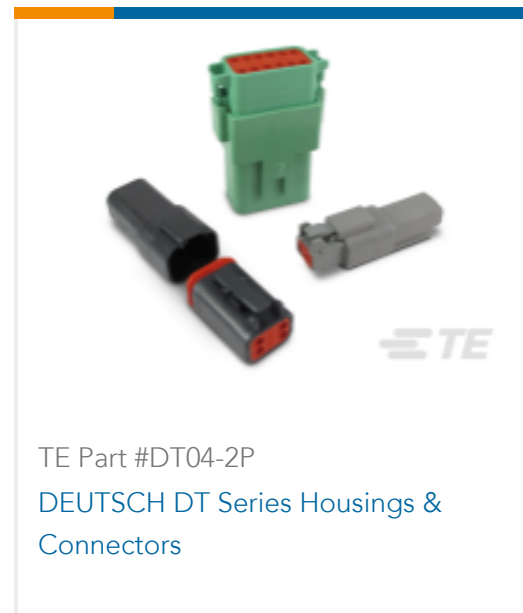
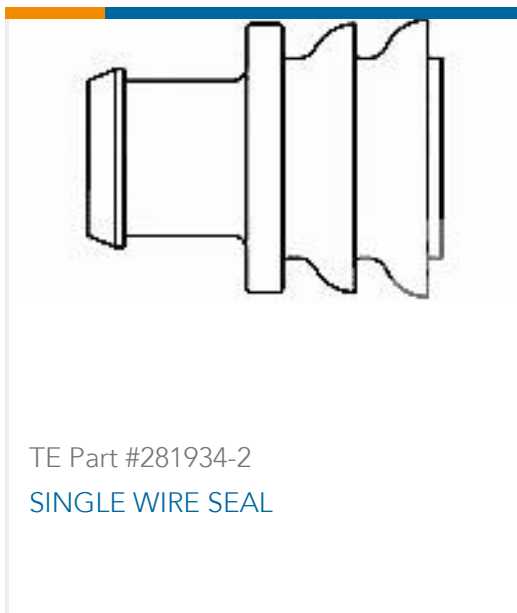
### Customers Also Bought

TE Part #W2S  
DEUTSCH DT Wedgelocks

TE Part #0460-202-16141  
DEUTSCH SOLID CONTACTS

TE Part #282104-1  
AMP SUPERSEAL 1.5MM,  
CONNECTOR HOUSING

TE Part #206070-8  
CABLE CLAMP KIT #17



## Documents

### Datasheets & Catalog Pages

#### ESSAILEC Test Blocks

French

#### ESSAILEC Test Blocks Catalogue

English

#### ESSAILEC Test Blocks Catalogue

German

#### FC4-5

English

#### ENTRELEC Terminal Block - Master Catalog

English

#### ENTRELEC Terminal Blocks Catalogue (RUS)