

Part number

SQT 16220



Socket-outlet with safety transformer, SQT series, 2 poles, 16 A, 24 V, 230/24 V transformer

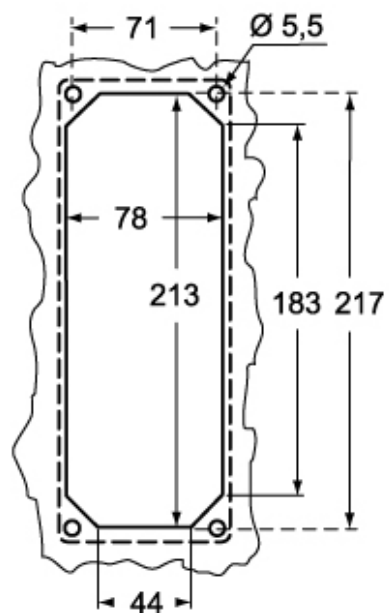
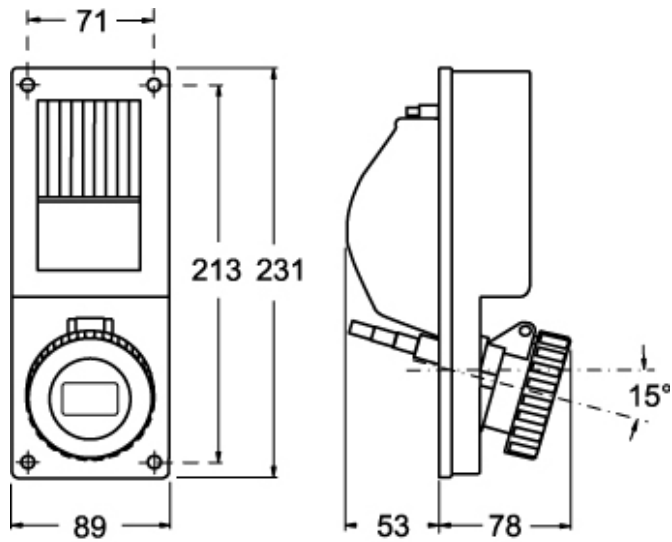
Product description		Material properties	
Product type	Socket-outlet with safety transformer	Colour	RAL 7035 grey, RAL 4001 lilac
Series	SQT		Compliant with exemption 6(c): copper alloy containing up to 4% lead by weight
N. of poles	2 poles	RoHs conformity	
Clock position	No key way	China RoHs - EFUP	50
Size	Socket fixing centre distance 88 x 230 mm	REACH SVHC substances	Yes Lead
Specification	230/24 V transformer	SCIP number	8e89f7de-4d73-4bfd-b5c1-5e57c8f79fed
Technical data		Approvals / Standards	
Current	16 A	Reference standard	EN 60309-1, -2 e -4
Voltage	24 V	General ordering information	
IP degree of protection	IP55	EAN13 code	8015747087230
Further technical details		Packaging Information	
Weight	2.080,20 g	Packaging length	175,00 mm
Operating temperature range (min, max)	-25°C ... +40°C	Packaging height	115,00 mm
IK rating (impact degree of protection)	IK08	Packaging width	350,00 mm
		Packaging weight	4,20 kg
		Packaging volume	7,04 dm ³
		Packaging description	Carton box
		Packaging quantity	2 Pcs
		Packaging EAN code	8015747087247

Part number

SQT 16220



Catalogue drawings



Notes

Dimensions shown in mm are not binding and may be changed without notice.