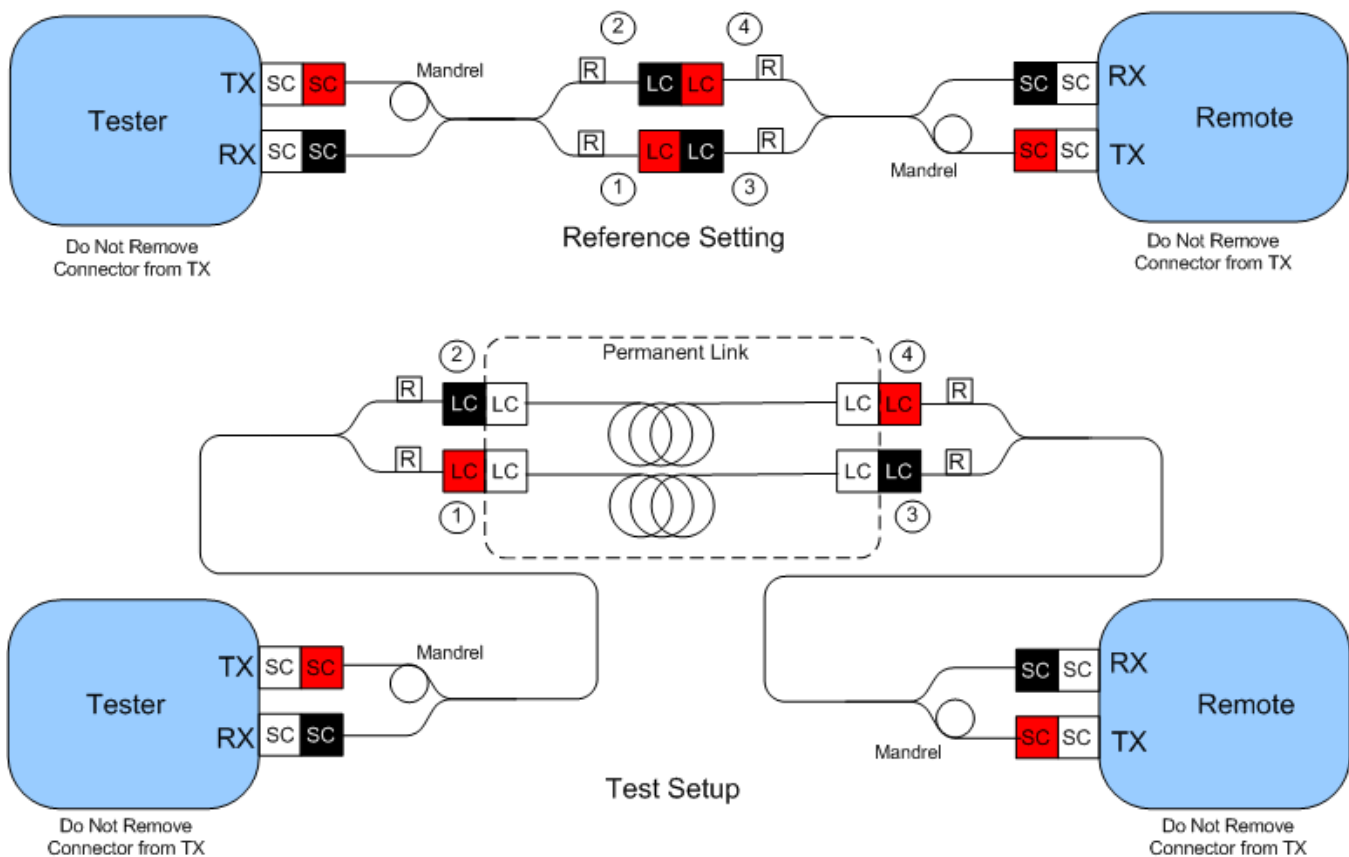


## LC Perm Link with SC TX and SC RX on Test Set (Test Method A)



To complete this test you will need two (2) Duplex Standard SC to Reference Grade LC Cords and one (1) duplex LC adapters (part numbers as follows per fiber type):

- 2 - [FR2XSS-RSM02](#) (50µm)
- 2 - [FR26SS-RSM02](#) (62.5µm)
- 2 - [FR29SS-RSM02](#) (9µm)

### Master Kits

- [FR2XSS-RSKIT](#) (50µm)
- [FR26SS-RSKIT](#) (62.5µm)
- [FR29SS-RSKIT](#) (9µm)

Note: Mandrels included in Master Kits

R Reference Quality Connector