



Product designation				Power contactor	
Product type designation				BFK80	
Contact characteristics					
Number of poles	Nr.			3	
Rated insulation voltage U_i IEC/EN	V			690	
Rated impulse withstand voltage U_{imp}	kV			8	
Operational frequency	min	Hz	25		
	max	Hz	400		
IEC Conventional free air thermal current I_{th}	A			115	
Rated operational power AC-6b ($T \leq 40^\circ C$)	230V	kvar	30		
	400V	kvar	50		
	440...480V	kvar	56		
	690V	kvar	65		
Short-time allowable current for 10s (IEC/EN60947-1)	A			640	
Protection fuse	gG (IEC)	A	125		
		A	800		
Making capacity (RMS value)			800		
Breaking capacity at voltage	440V	A	640		
	500V	A	625		
	690V	A	456		
Resistance per pole (average value)			m Ω	0.6	
Power dissipation per pole (average value)	lth	W	7.9		
	min	Nm	4		
Tightening torque for terminals	max	Nm	5		
	min	Ibin	2.95		
	max	Ibin	3.69		
	min	Nm	0.8		
Tightening torque for coil terminal	max	Nm	1		
	min	Ibin	0.8		
	max	Ibin	0.74		
	min	Nm	0.8		
Max number of wires simultaneously connectable			Nr.	2	
Conductor section	AWG/Kcmil			max	2
	Flexible w/o lug conductor section	min	mm ²	1.5	
max		mm ²	35		
Flexible c/w lug conductor section	min	mm ²	1.5		

		max	mm ²	35
Power terminal protection according to IEC/EN 60529				IP20 front
Mechanical features				
Operating position		normal allowable		Vertical plan ±30°
Fixing				Screw / DIN rail 35mm
Weight			g	1090
Conductor section	AWG/kcmil conductor section	max		2
Operations				
Mechanical life			cycles	15000000
Electrical life			cycles	400000
Safety related data				
Performance level B10d according to EN/ISO 13489-1		rated load mechanical load	cycles cycles	400000 15000000
EMC compatibility				yes
AC coil operating				
Rated AC voltage at 60Hz			V	220
AC operating voltage	of 60Hz coil powered at 60Hz pick-up	min max	%Us %Us	80 110
	drop-out	min max	%Us %Us	20 55
AC average coil consumption at 20°C	of 60Hz coil powered at 60Hz	in-rush holding	VA VA	210 15
Dissipation at holding ≤20°C 50Hz			W	5
Max cycles frequency				
Mechanical operation			cycles/h	3600
Operating times				
Average time for Us control	in AC			
	Closing NO	min max	ms ms	12 28
	Opening NO	min max	ms ms	8 22
	in DC			
	Closing NO	min max	ms ms	40 85
	Opening NO	min max	ms ms	20 55
UL technical data				

General USE

Contactor

AC current A 115

Ambient conditions

Temperature

Operating temperature

min °C -50
max °C 70

Storage temperature

min °C -60
max °C 80

Max altitude

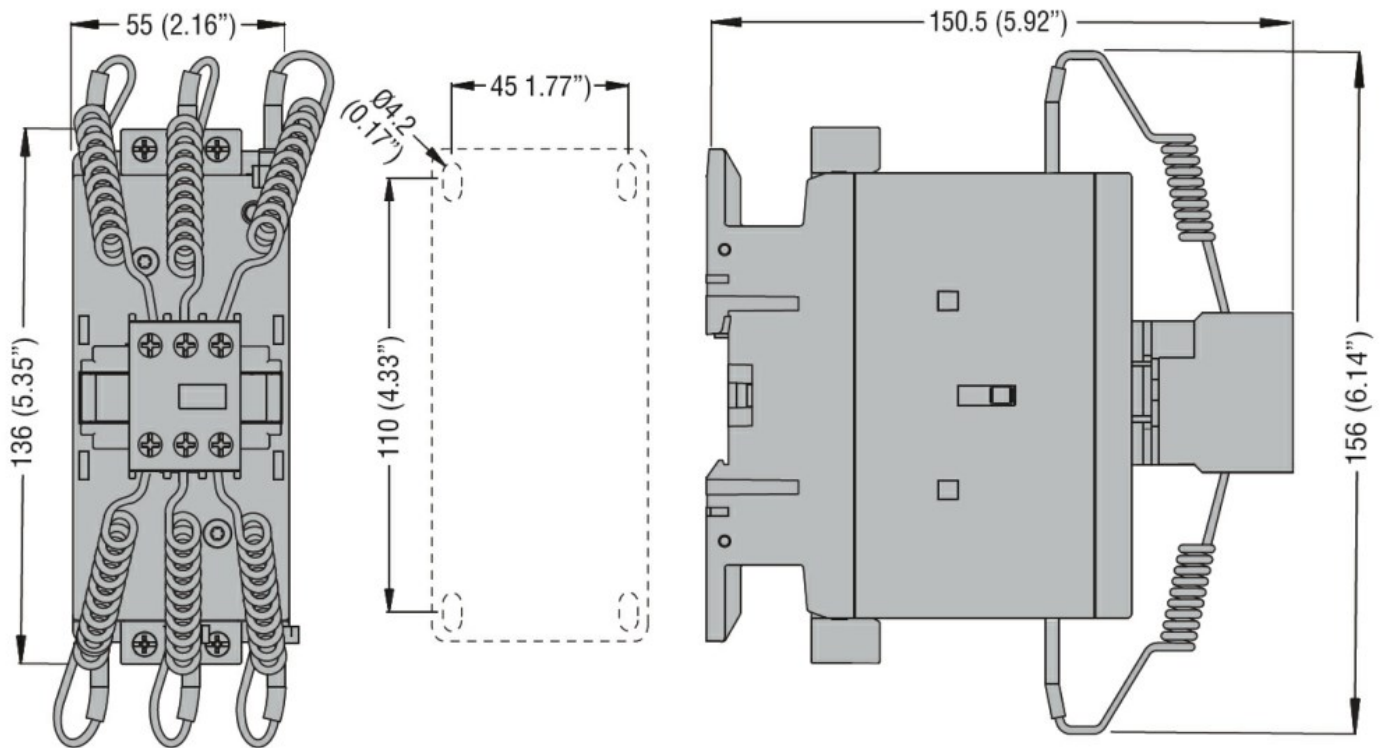
m 3000

Resistance & Protection

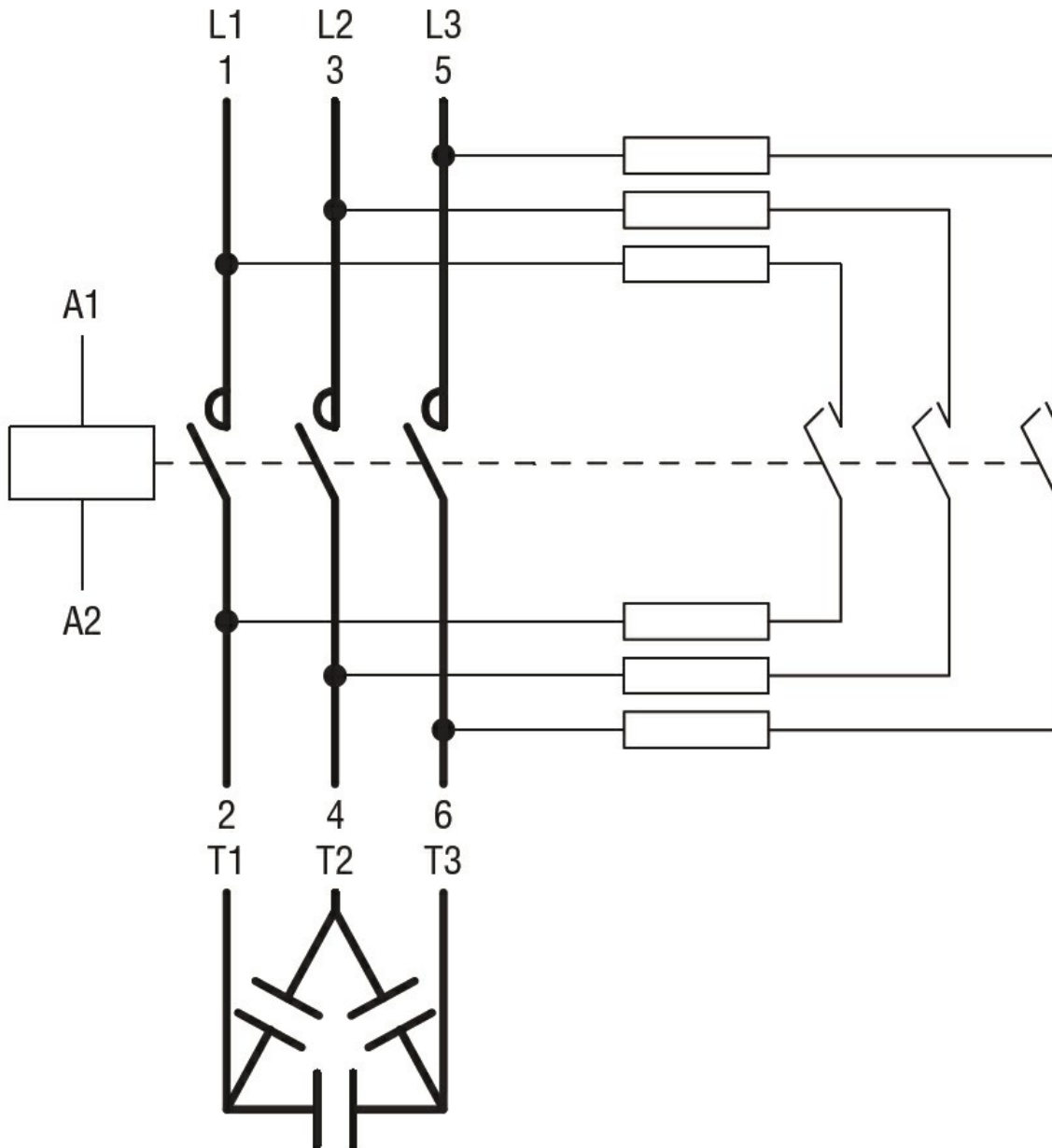
Pollution degree

3

Dimensions



Wiring diagrams



Certifications and compliance

Compliance

CSA C22.2 n° 60947-1

CSA C22.2 n° 60947-4-1

IEC/EN/BS 60947-1

IEC/EN/BS 60947-4-1

UL 60947-1

UL 60947-4-1

Certificates

CCC

cULus

ETIM classification

ETIM 8.0

EC001079 -
Capacitor
contactor