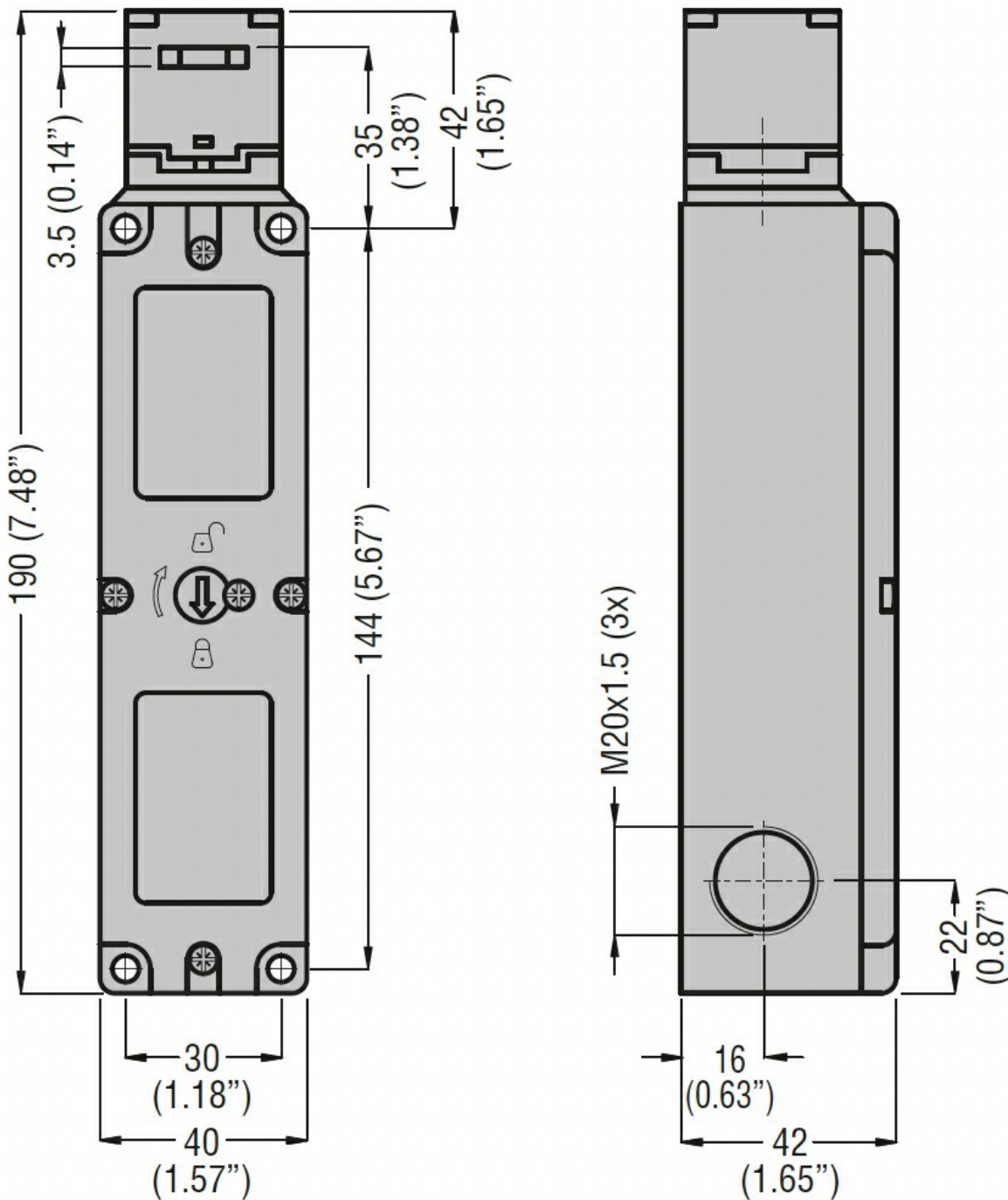




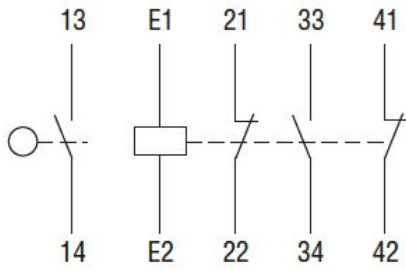
Product designation	Safety switches with solenoid		
Product type designation	KEN1		
General characteristics			
General characteristics			
Housing Material	Polymer thermoplastic		
Contact characteristics			
Type of contact	1NO (Key), 2NC+1NO (Solenoid)		
Thermal current I _{th}	A	10	
IEC/EN 60947-5-1 designation	A300 Q300		
Rated insulation voltage U _i	V	250	
Rated impulse withstand voltage U _{imp}	kV	2.5	
Short-circuit protection with fuse	Class/A	10 gG	
IEC Conventional free air thermal current I _{th}	A	10	
Operations			
Mechanical life	cycles	1000000	
B10d	cycles	4000000	
Mechanical operation	cycles/h	600	
Output characteristics			
Mechanical life	cycles	1000000	
Mechanical features			
Operating head fixing	Screwed		
Operating torque	N	15 (actuator insertion), 30 (Release actuator extraction), 1200 (locked actuator holding)	
Tightening torque (Max)			
Switch fixing	Nm	2.5	
Contact terminals	Nm	0.8	
Body lid screw fixing	Nm	0.8	
Conductor section			
IEC	min	mm ²	1 or 2
	max	mm ²	1.5
Cable connection	Self-releasing screw terminal		
Cable entry	3 x M20		

Weight	g	440
Ambient conditions		
Pollution degree		3
Temperature		
Operating temperature	max °C	+55
Storage temperature	min °C	-40
	max °C	+70

Dimensions



Wiring diagrams



Certifications and compliance

Compliance

CSA C22.2 n°14

IEC/EN 60204

IEC/EN 60947-1

IEC/EN 60947-5-1

UL508

UNI EN ISO 14119

Certificates

cULus

EAC

ETIM classification

ETIM 8.0

EC000030 - End
switch