

TABLE 1: CASSETTE SPECIFIC COMPONENTS

PRODUCT FAMILY	CASSETTE PART NUMBER	CASSETTE DESCRIPTION
24 FIBER CABLE TO CABLE SPLICE CASSETTE	FDSN-24	24F FRONT ACCESS SPLICE CASSETTE CABLE TO CABLE

WARNING: UNMATED CONNECTORS MAY EMIT INVISIBLE LASER RADIATION. MAINTAIN DUST CAPS ON UNMATED CONNECTORS.

Fiber optic cable is sensitive to excessive pulling, bending, and crushing forces. Consult the manufacturer's cable specification sheet for specific cable to use.

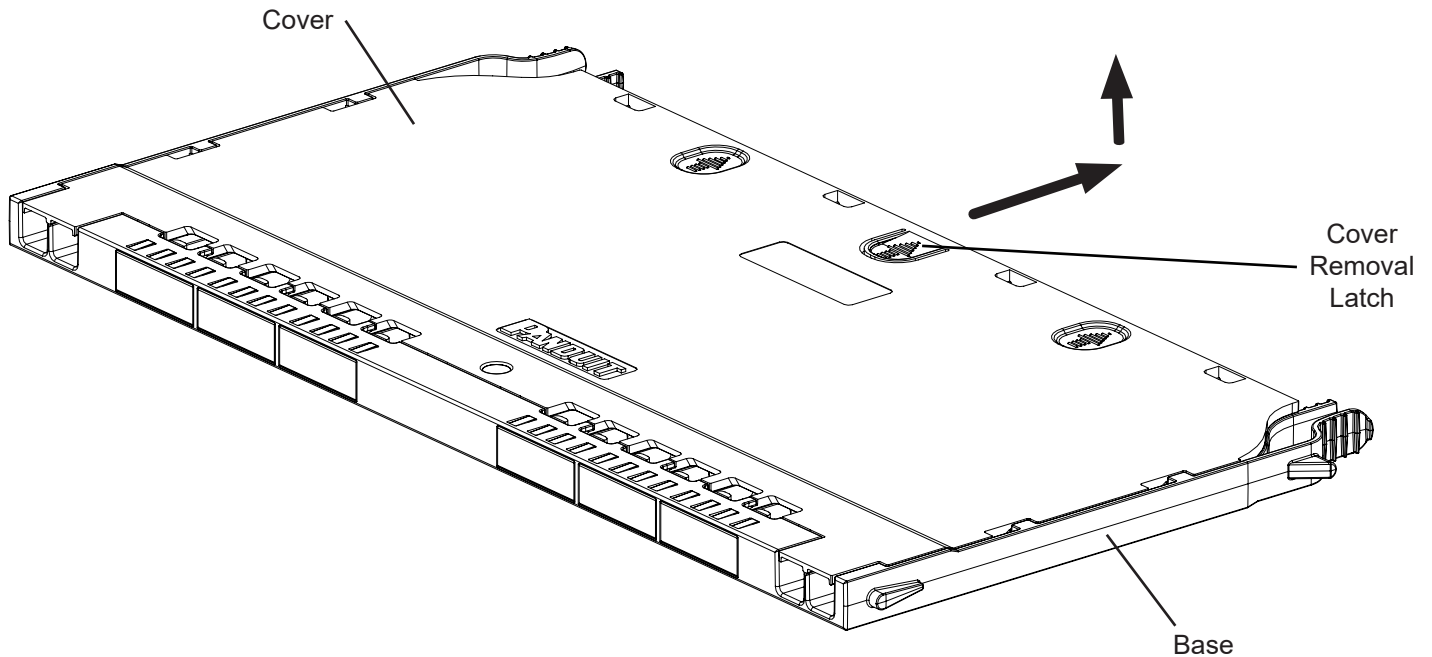


Figure 1

To remove the cover:

1. While pressing down on the Cover Removal Latch, slide the cover backwards until it stops
2. Then lift the cover upwards

Internal Features

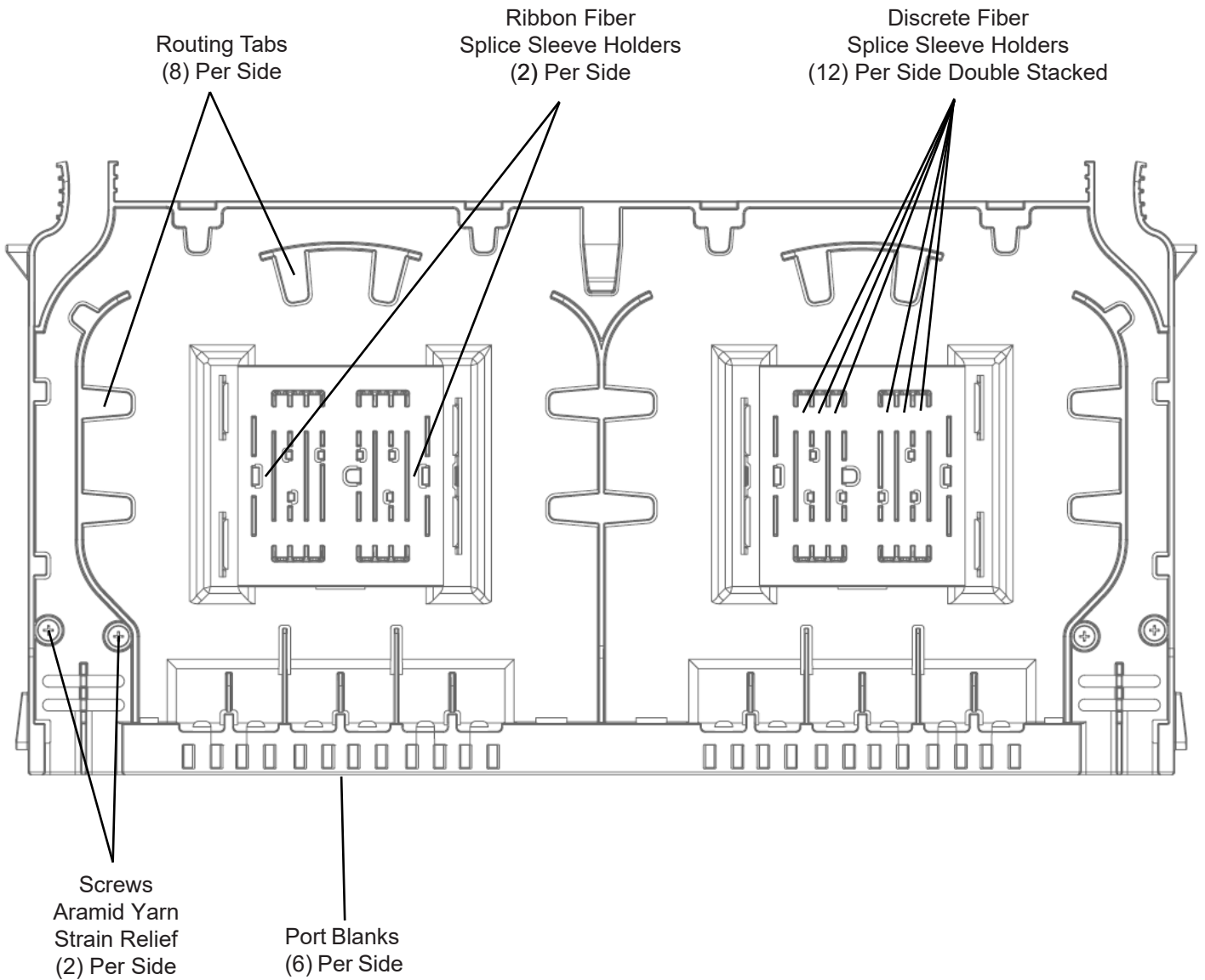


Figure 2

Fiber Wire Input Options

Option #1. Installing cable directly onto the cassette

1. Strip incoming outer cable field jacket 39 inches [990mm], secure with Pan-Ty™ cable ties and aramid yarn with screw (optional).

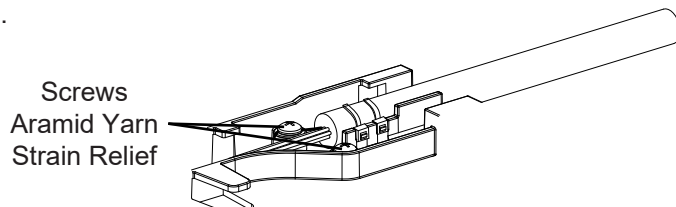


Figure 3

2. Expose all fiber ends for splicing. Slide a splice sleeve onto either the pigtail or field fiber. Splice all fibers and heat splice sleeve(s). Refer to splicer manufacturer best practice instructions.

Option #2. Installing protection (furcation) tube(s) onto the cassette

1. Attach the furcation tube(s) onto the cassette utilizing Pan-Ty cable ties, leaving 39 inches [990mm] of exposed fiber in preparation for splice

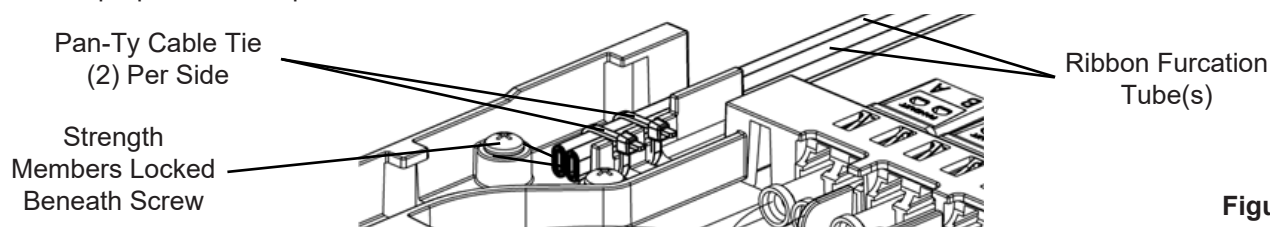


Figure 4

2. Expose all fiber ends for splicing. Slide a splice sleeve onto either the pigtail or field fiber. Splice all fibers and heat splice sleeve(s). Refer to splicer manufacturer best practice instructions.

Option #3. Installing protection tube(s) onto the cassette

1. Attach the protection tube(s) onto the cassette utilizing Pan-Ty cable ties, leaving 39 inches [990mm] of exposed fiber in preparation for splice

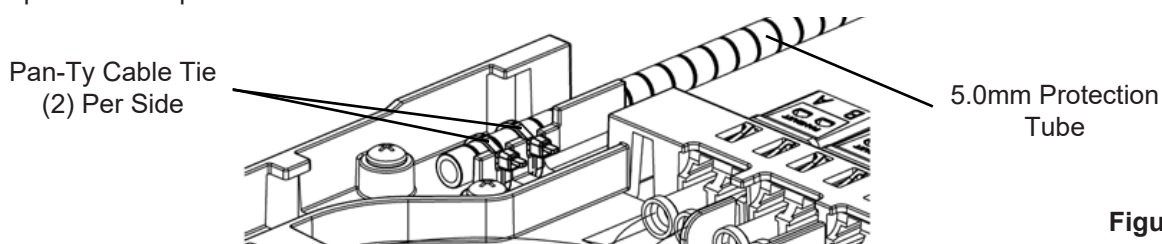


Figure 5

2. Expose all fiber ends for splicing. Slide a splice sleeve onto either the pigtail or field fiber. Splice all fibers and heat splice sleeve(s). Refer to splicer manufacturer best practice instructions.

NOTE:

Be mindful of the following during installation:

1. Maximum Input / Output cable diameter of 0.276 inches [7mm] X 4 positions
2. Maintain a minimum fiber/cable bend radii of 1 inch [25.4mm]
3. Avoid over-tightening the cable ties, crushing the fiber cable
4. (1) Pan-Ty Cable tie per side if both entry slots are being used
5. Up to (2) splice sleeves can be stacked under each splice sleeve holder
6. Furcation kits FOBKF**YM1 and FOBKF**AM1 can be purchased separately
7. Reference Appendix "C" for available Protection Tube Kits

Discrete Splice. Cable Input to Cable Output - Left Hand Input Wire Routing

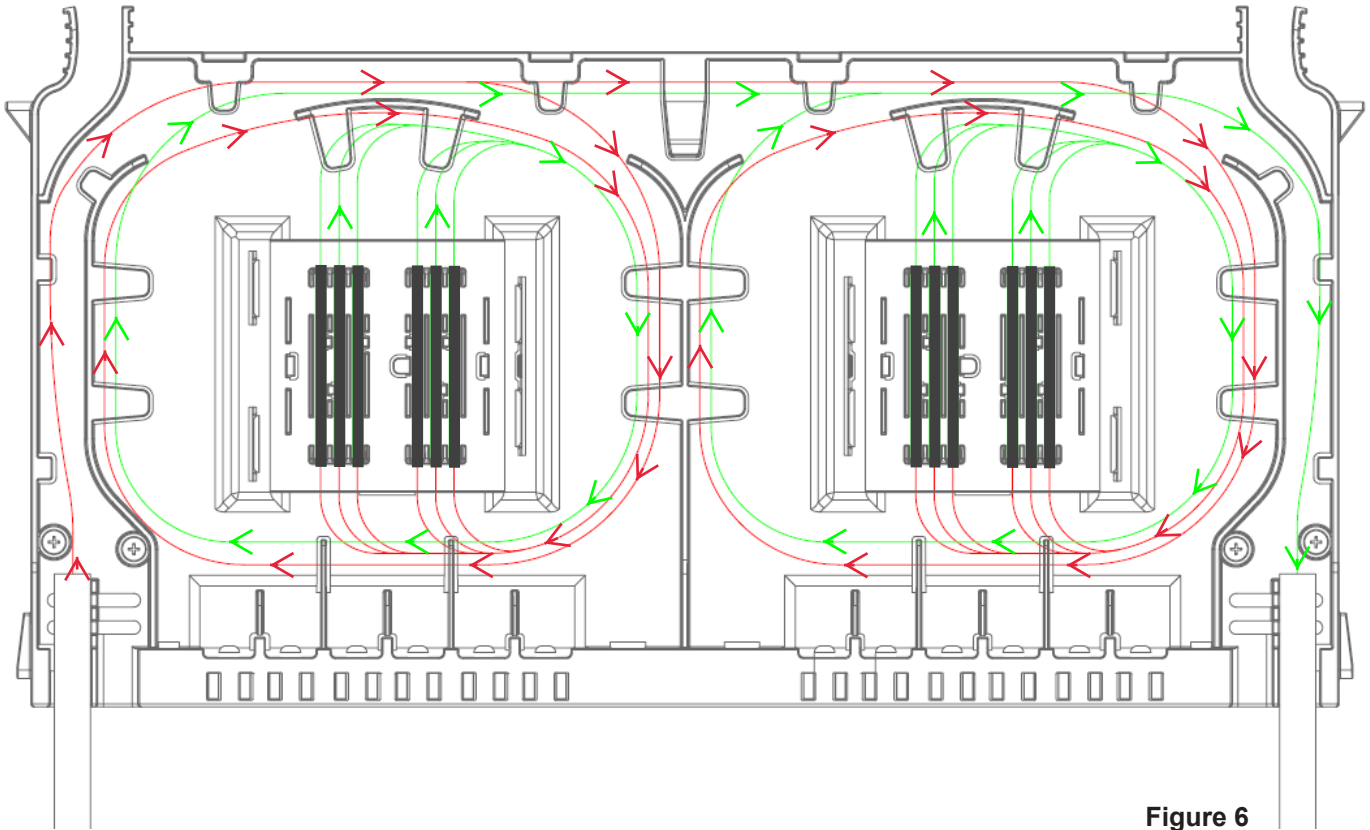


Figure 6

Discrete Splice. Cable Input to Cable Output - Right Hand Input Wire Routing

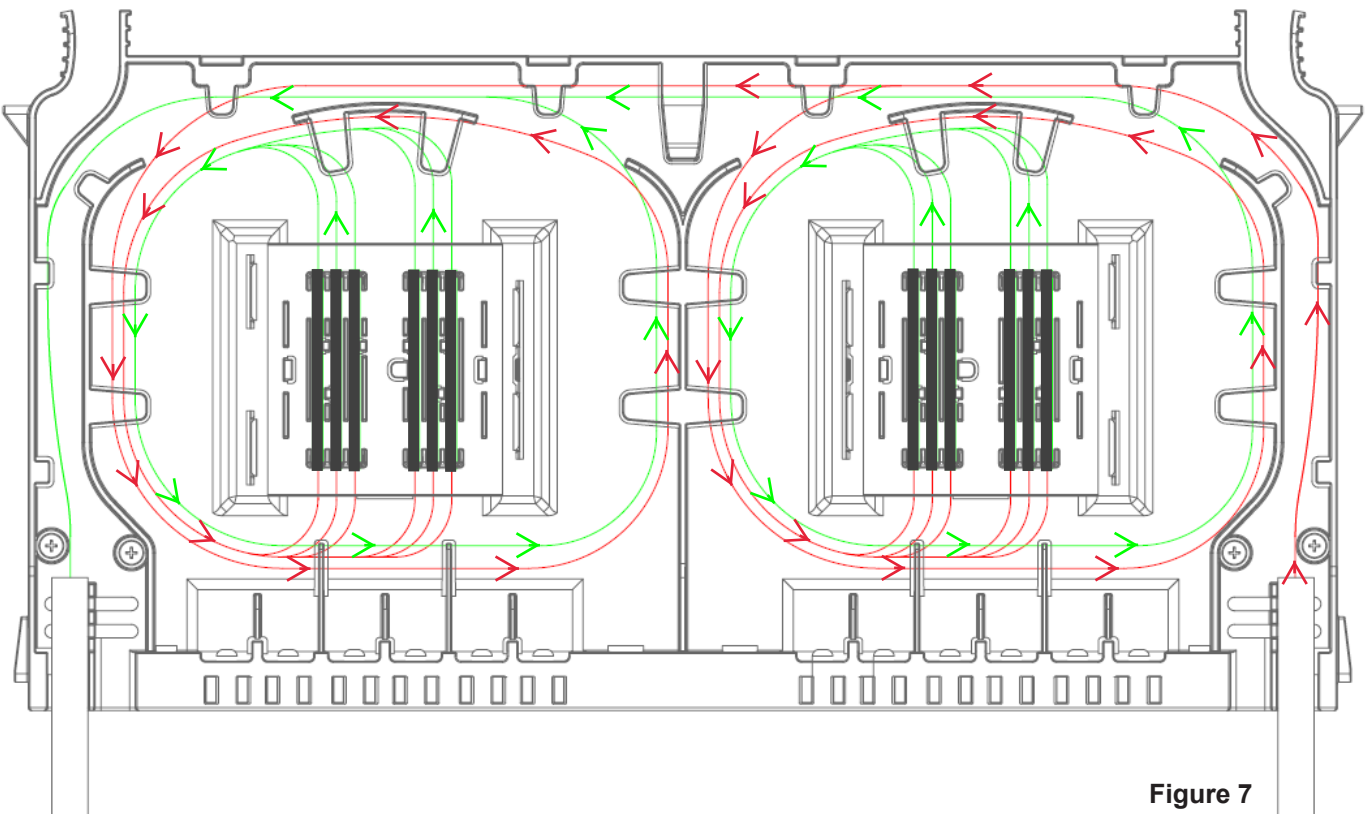
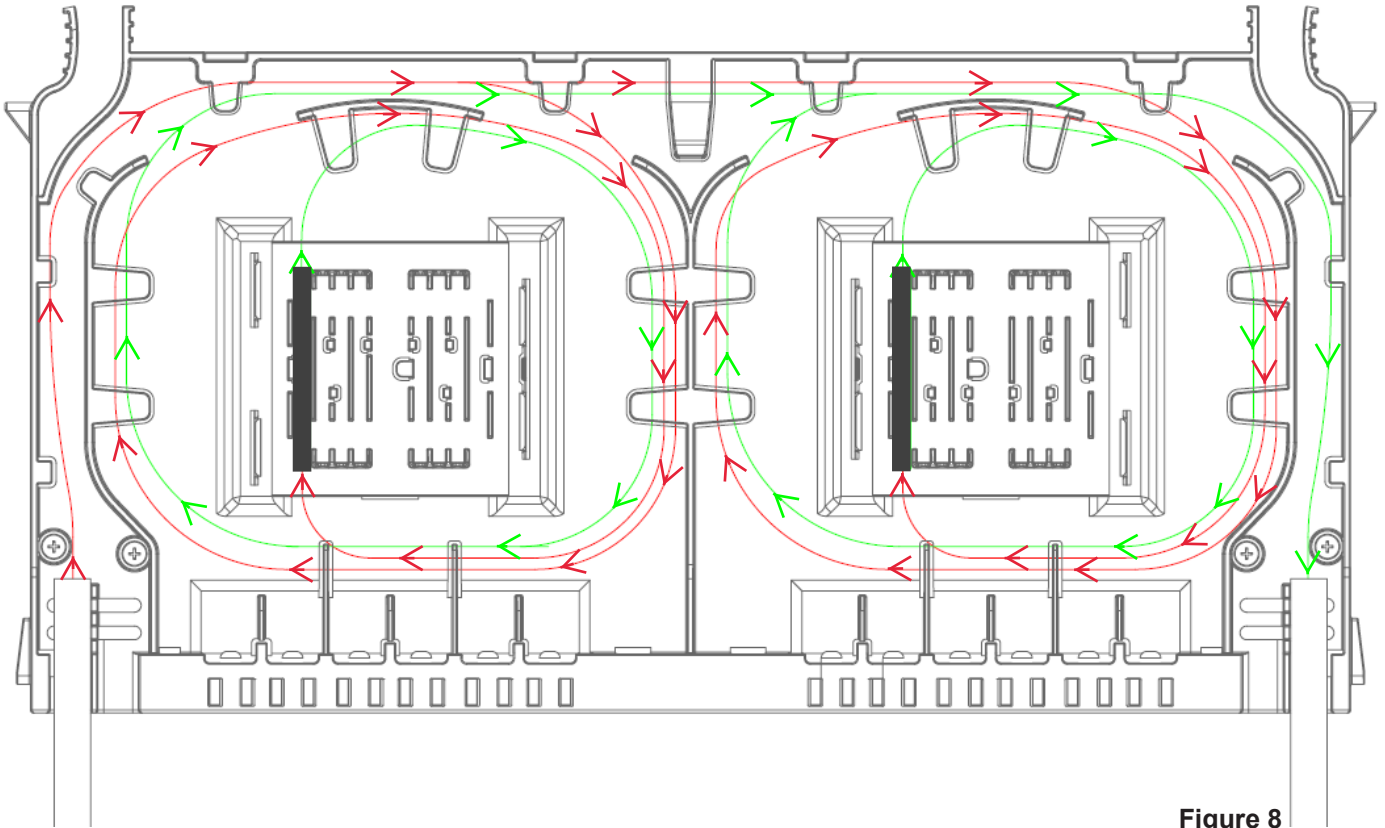
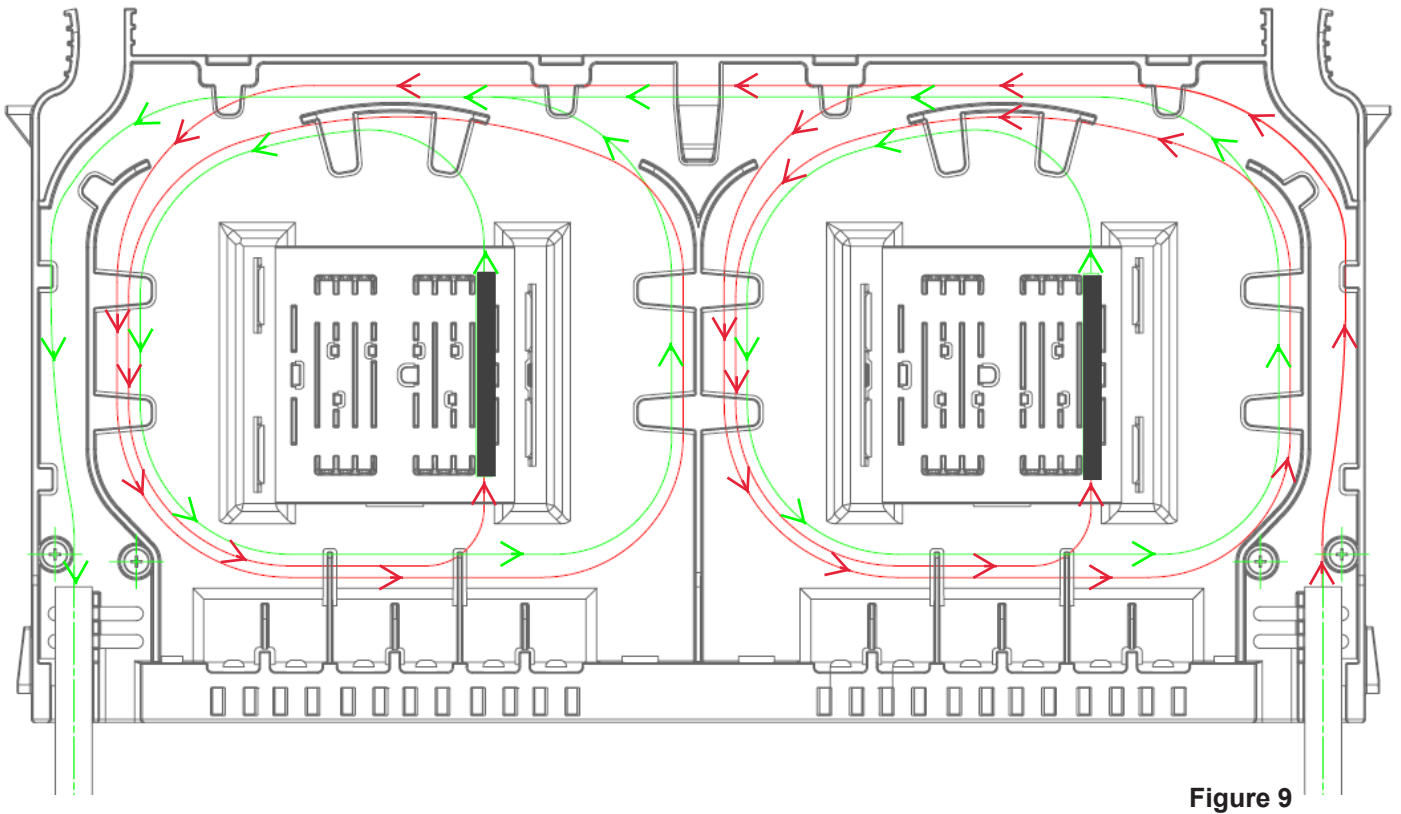


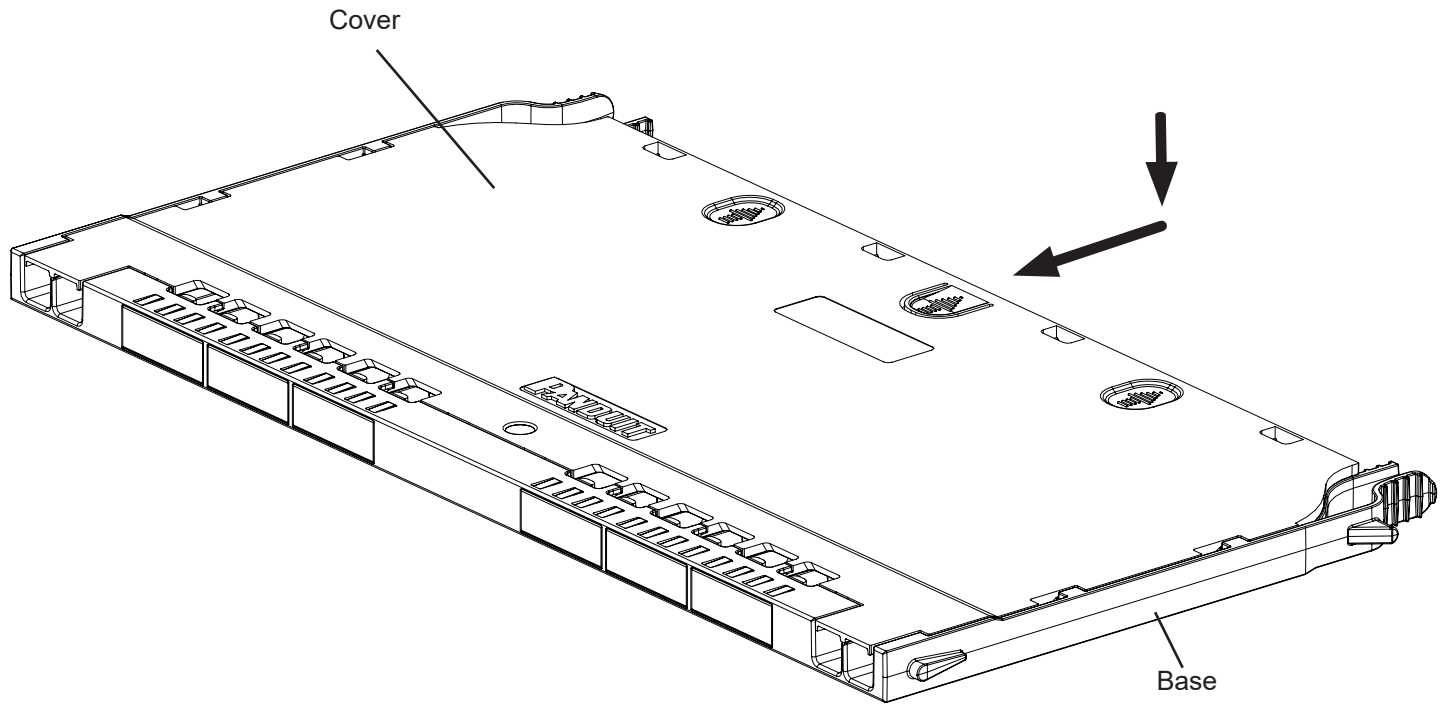
Figure 7

Ribbon Splice. Cable Input to Cable Output - Left Hand Input



Ribbon Splice. Cable Input to Cable Output - Right Hand Input





To install the cover:

1. Place the cover on the base, aligning the side cover latches
2. Slide the cover forward until the cover latch engages with the base

Figure 10

Additional splice protectors available from Panduit:

- *FOSP40-C: Single (Discrete) Fiber Splice Protection (QTY: 100 pcs)
- *FOWPR40-L: Ribbon Fiber Splice Protectors (QTY: 50 pcs)

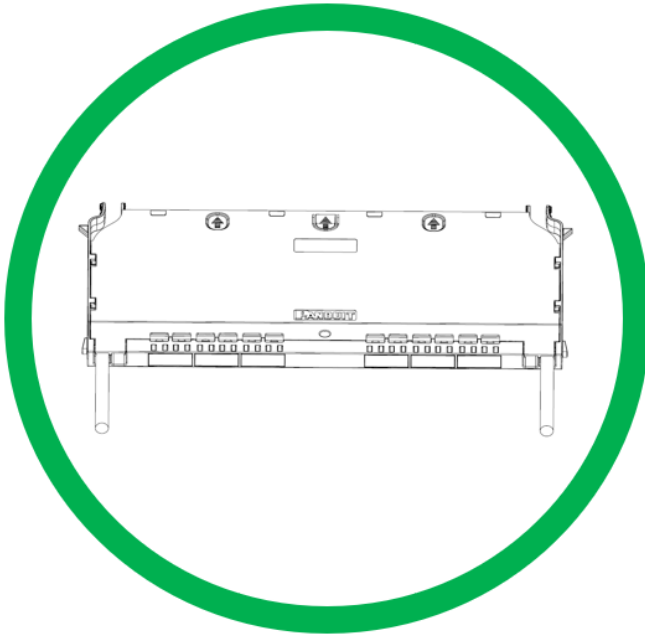
APPENDIX "A" - FlexCore™ Cassette / ODF System Installation Instruction Matrix

Specification Number	Description
FS187	Fiber Breakout Kit, Flat Ribbon Furcation Tube (P/N FOBKF**(Y/A)M1) Installation Instructions
FS190	FlexCore™ Optical Distribution Frame Installation Instructions
FS191	FlexCore™ ODF 150mm Vertical Cable Manager Installation Instructions
FS192	ODF 300mm Vertical Cable manager
FS193	FlexCore™ Single Hinge Front Doors Installation Instructions
FS194	ODF End Panels Installation Instructions
FS195	ODF 5.0 Miniflex Holder
FS196	ODF/OSF Spool Slack Manager Kit
FS198	ODF Spool - Single
FS199	ODF Spools - 6 Pack Color Coordinated Kit
FS200	FlexCore™ Fusion Splice Cassette - Cable to LC Adapter Installation Instructions
FS201	FlexCore™ Fusion Splice Cassette - Cable to Cable Installation Instructions
FS202	ODF Cassettes (LC/MPO, LC/Tether)
FS203	FlexCore™ 4RU Universal Enclosure installation Instructions
FS204	FlexCore™ Front Access Optical Distribution Frame Patchcord Routing Guide
FS205	ODF Frame Rear panel
FS206	FlexCore™ Front Access Ingress / Egress Cabling Guide
T-PMPI-292-PC	Armored Cable Grounding Kit - ACG25K, ACGK* Installation Instructions

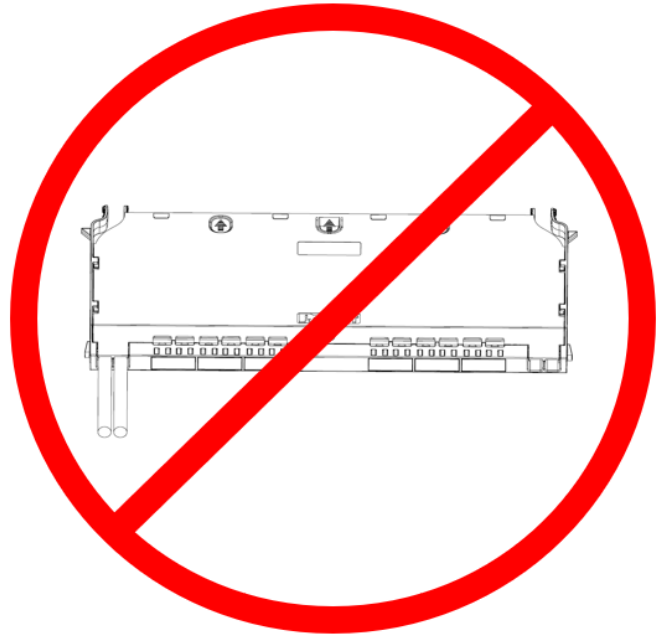
For copies of FlexCore™ Optical Distribution Frame System installation instructions, please visit www.panduit.com and search for the specific Specification Number

APPENDIX "B" - Cable Ingress / Egress Options

Cable To Cable Cassettes



Ingress and egress
cable on opposite sides



Ingress and egress
cable on same side

APPENDIX "C" - Protection Tubing Options

QuickNet FIBER BREAKOUT / FURCATION KITS				
Part Number	Jacket Color	Fiber Count	# Of Tubes	Cable OD (Max)
SINGLEMODE				
FOBKF24YM1	Yellow	24	2	0.38" [9.6mm]
FOBKF48YM1	Yellow	48	4	0.45" [11.4mm]
FOBKF72YM1	Yellow	72	6	0.45" [11.4mm]
FOBKF96YM1	Yellow	96	8	0.45" [11.4mm]
FOBKF144YM1	Yellow	144	12	0.625" [15.9mm]
FOBKF288YM1	Yellow	288	24	0.875" [22.2mm]
FOBKF432YM1	Yellow	432	36	0.90" [22.8mm]
FOBKF576YM1	Yellow	576	48	1.07" [27.2mm]
FOBKF864YM1	Yellow	864	72	1.07" [27.2mm]
MULTIMODE				
FOBKF24AM1	Aqua	24	2	0.38" [9.6mm]
FOBKF48AM1	Aqua	48	4	0.45" [11.4mm]
FOBKF72AM1	Aqua	72	6	0.45" [11.4mm]
FOBKF96AM1	Aqua	96	8	0.45" [11.4mm]
FOBKF144AM1	Aqua	144	12	0.625" [15.9mm]

PROTECTIVE TUBES		
Part Number	Description	# Of Tubes
DFMX5KITBL	Breakout Kit with 2ft Protective Tube	12
FM5PPBLF2.0-12	2ft Protective Tube	12
FM5PPBLF4.0-12	4ft Protective Tube	12
FM5PPBLF8.0-12	8ft Protective Tube	12

For Instructions in Local Languages
and Technical Support:

http://www.panduit.com/resources/install_maintain.asp

PANDUIT
www.panduit.com

E-mail:
techsupport@panduit.com

Phone:
866-405-6654