


22260618	<b>DATA SHEET</b>	
Valid from: 09.11.2018	<b>AB-B6-6-L-M23</b>	

### Description

S/A box, with LED, with M23 plug connection and single-occupied slots, marker tags, slots: 6



The illustration shows a sensor with 6 slots

### General characteristics

Nominal voltage UN	24 V DC
Max. operating voltage U <sub>max</sub>	30 V DC
Max. current carrying capacity per path	2 A
Current carrying capacity per slot	4 A
SACB total current	12 A
Operating current of the indicator elements	≤ 5 mA
Number of positions	4
Number of slots	6
Degree of protection	IP65/IP67
Inflammability class acc. to UL 94	V0
Ambient temperature (operation)	-20 °C ... 75 °C
Sensor/actuator connection system	M12 female connector

### Local diagnostics function

Local diagnostics	Supply voltage LED green Status display I/O Yellow LED
-------------------	---

### Master cable data

Type of connection	M23 plug connection
Tightening torque slot sensor/actuator cable	0.4 Nm
Tightening torque screw plug	0.4 Nm

### Insulation material

Housing material	PA
Contact material	CuSn
Contact surface material	Ni/Au
Contact carrier material	PA
Material of contact, master cable side	CU alloy
Material of contact surface, master cable side	Gold-plated
Material of threaded sleeve	Zinc die-cast
Material, O-ring	NBR

Creator: PD-AN	Document: DB22260618EN Version: 03	Page 1 of 3
----------------	---------------------------------------	-------------

**Pin assignment**

Slot/position = Wire color or connection

1 / 4 (A) = 1

2 / 4 (A) = 2

3 / 4 (A) = 3

4 / 4 (A) = 4

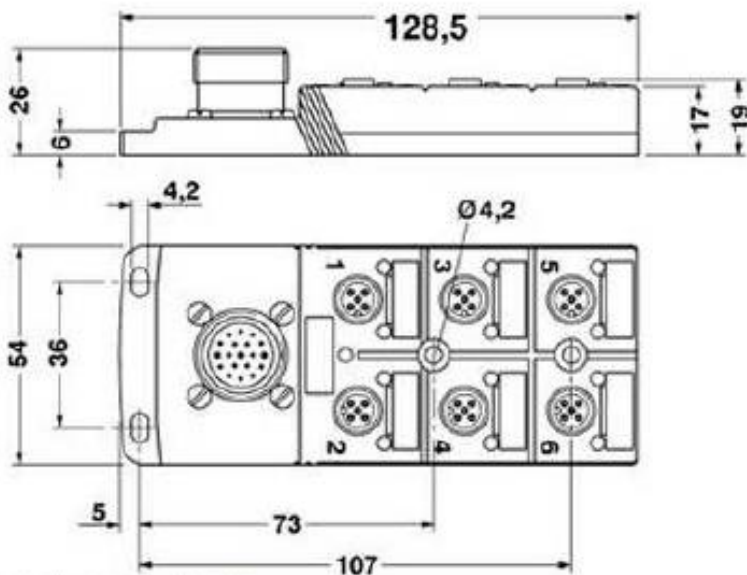
5 / 4 (A) = 5

6 / 4 (A) = 6

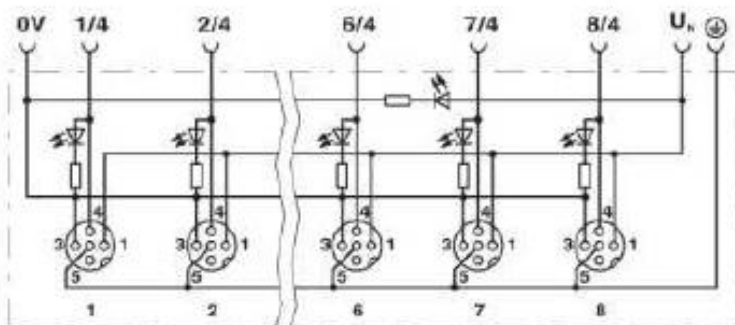
1-4 / 1 (+ 24 V) = 11

1-4 / 3 (0 V) = 9+10


1-4 / 5 (PE) = 12

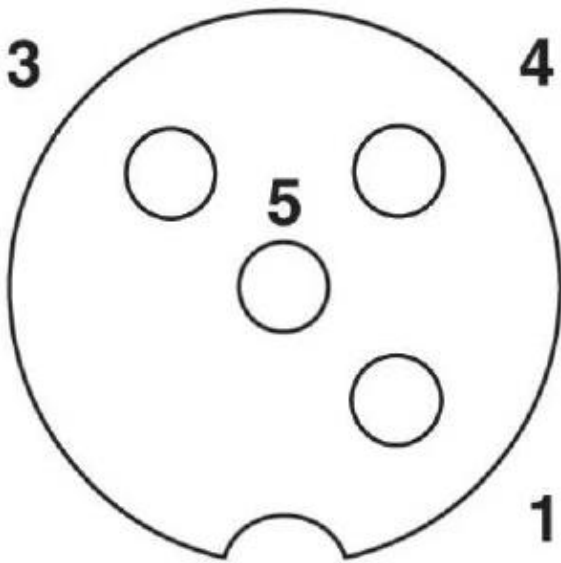
**Technical drawings and dimensions**

Dimensioned drawing 1



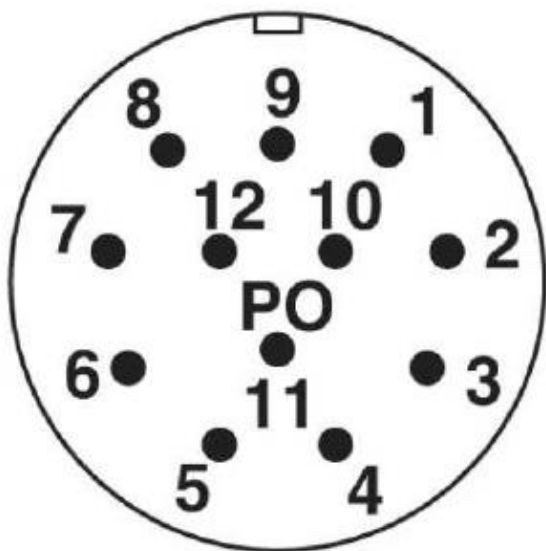
Circuit diagram 1

22260618	<b>DATA SHEET</b>	
Valid from: 09.11.2018	AB-B6-6-L-M23	



Schematic diagram 1

M12 slot, socket, 4-pos.



Schematic diagram 2

M23 plug connection pin, 12-pos.

**Note**

Photographs are not true to scale and do not represent detailed images of the respective products.

Creator: PD-AN	Document: DB22260618EN Version: 03	Page 3 of 3
----------------	---------------------------------------	-------------