

1SET311218R0000 ✓ ACTIVE

ENTRELEC | M12 Connector

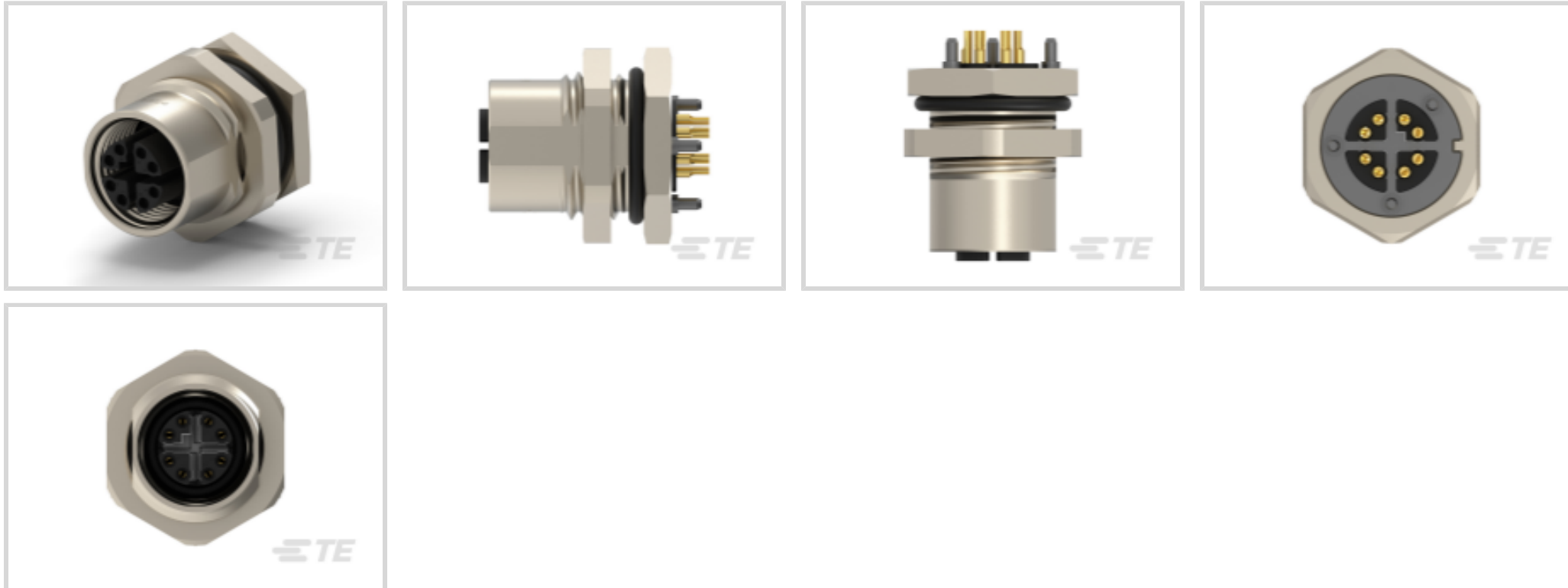
TE Internal #: 1SET311218R0000

Standard Circular Connectors, Cable-to-Board, 8 Position, Sealable, Wire & Cable, Signal, Reverse Gender, Nickel, Zinc Alloy, M12 Connector

[View on TE.com >](#)



Connectors > Circular Connectors > Standard Circular Connectors



Connector System: **Cable-to-Board**

Number of Positions: **8**

Sealable: **Yes**

Connector & Contact Terminates To: **Wire & Cable**

Contact Current Rating (Max): **1 A**

Features

Product Type Features

Product Type	Connector Assembly
Connector System	Cable-to-Board
Sealable	Yes
Connector & Contact Terminates To	Wire & Cable
Circular Connector Type	Receptacle
Shell Type	Metal

Configuration Features

Number of Positions	8
---------------------	---

Body Features

Shell Plating Material	Nickel
Shell Base Material	Zinc Alloy
Circular Connector Insulation Material Type	PA66

Contact Features

Contact Current Rating (Max)	1 A
------------------------------	-----



Reverse Gender	Yes
Contact Layout Arrangement	Circular
Circular Connector Contact Type	Pin

Mechanical Attachment

Polarization Code	X
Mating Alignment Type	Keyed

Dimensions

Wire Size	.325 – .081 mm ²
-----------	-----------------------------

Usage Conditions

Operating Temperature Range	-25 – 85 °C[-13 – 185 °F]
-----------------------------	---------------------------

Operation/Application

Circuit Application	Signal
Shielded	Yes

Product Compliance

[For compliance documentation, visit the product page on TE.com>](#)

EU RoHS Directive 2011/65/EU	Compliant with Exemptions
EU ELV Directive 2000/53/EC	Compliant with Exemptions
China RoHS 2 Directive MIIT Order No 32, 2016	Restricted Materials Above Threshold
EU REACH Regulation (EC) No. 1907/2006	Current ECHA Candidate List: JUNE 2022 (224) Candidate List Declared Against: JUNE 2022 (224) SVHC > Threshold: Pb (3.7% in Component Part) Article Safe Usage Statements: Do not eat, drink or smoke when using this product. Wash thoroughly after handling. Recycle if possible and dispose of the article by following all applicable governmental regulations relevant to your geographic location.
Halogen Content	Low Halogen - Br, Cl, F, I < 900 ppm per homogenous material. Also BFR/CFR/PVC Free
Solder Process Capability	Not reviewed for solder process capability

Product Compliance Disclaimer

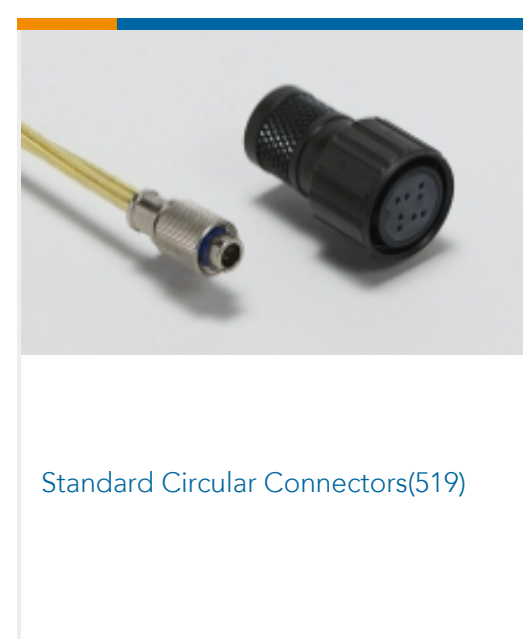
This information is provided based on reasonable inquiry of our suppliers and represents our current actual knowledge based on the information they provided. This information is subject to change. The part numbers that TE has identified as EU RoHS compliant have a maximum concentration of 0.1% by weight in homogenous materials for lead, hexavalent chromium, mercury, PBB, PBDE, DBP, BBP, DEHP, DIBP, and 0.01% for cadmium, or qualify for an exemption to these limits as defined in the Annexes of Directive 2011/65/EU (RoHS2). Finished electrical and electronic equipment products

will be CE marked as required by Directive 2011/65/EU. Components may not be CE marked. Additionally, the part numbers that TE has identified as EU ELV compliant have a maximum concentration of 0.1% by weight in homogenous materials for lead, hexavalent chromium, and mercury, and 0.01% for cadmium, or qualify for an exemption to these limits as defined in the Annexes of Directive 2000/53/EC (ELV). Regarding the REACH Regulation, the information TE provides on SVHC in articles for this part number is based on the latest European Chemicals Agency (ECHA) 'Guidance on requirements for substances in articles' posted at this URL: <https://echa.europa.eu/guidance-documents/guidance-on-reach>

Compatible Parts



Also in the Series | M12 Connector



Documents

Product Drawings

M12X-FF-8CON-M16-LAU

English

CAD Files

3D PDF

3D

Customer View Model

[ENG_CVM_CVM_1SET311218R0000_A.2d_dxf.zip](#)

English

Customer View Model

[ENG_CVM_CVM_1SET311218R0000_A.3d_igs.zip](#)

English

Customer View Model

[ENG_CVM_CVM_1SET311218R0000_A.3d_stp.zip](#)

English



Datasheets & Catalog Pages

[Infographic - entrelec ews-linecard](#)

English

[Catalog - ENTRELEC-M8-M12-RJ45](#)

English

Product Specifications

[Application Specification](#)

English

[Application Specification](#)

English