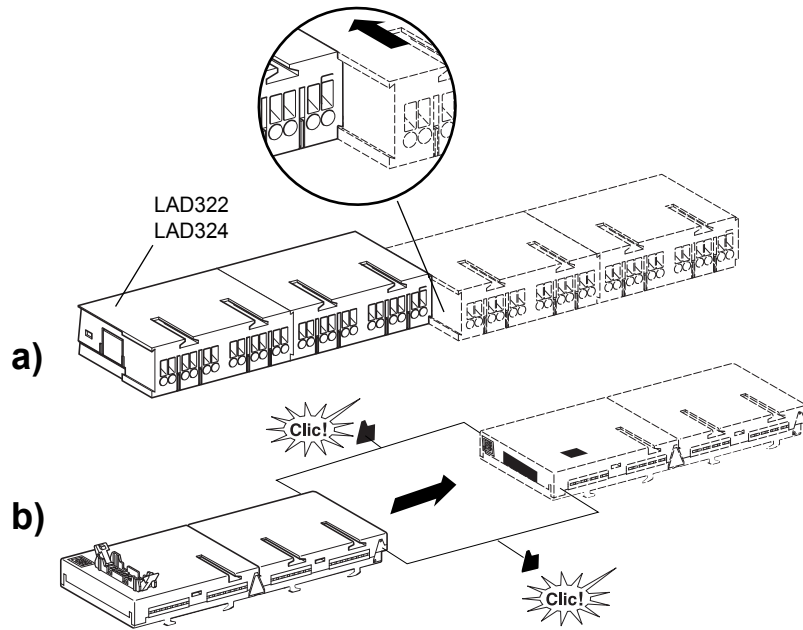
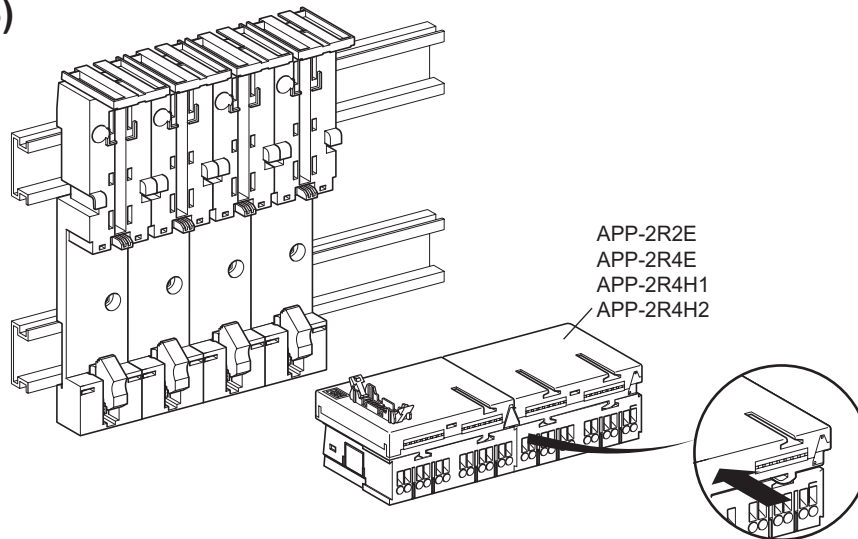


2)

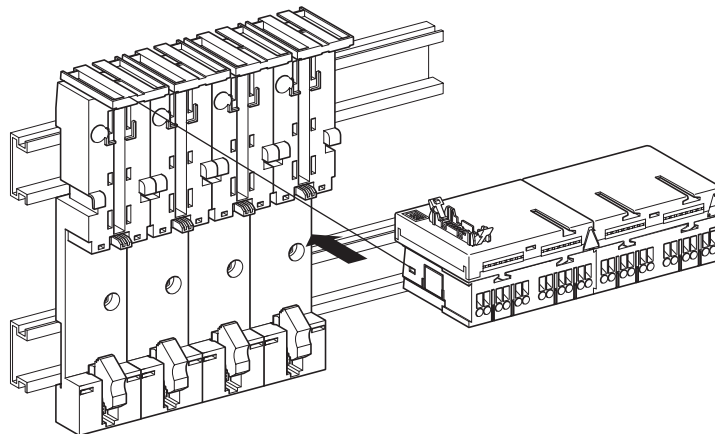


Technologie Quickfit Quickfit Technology

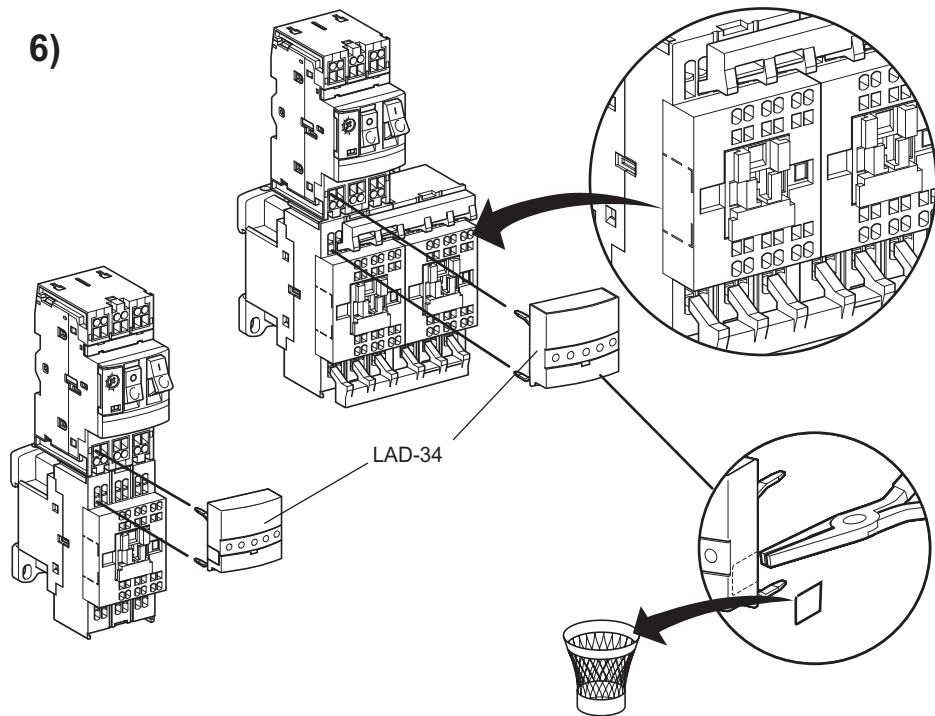
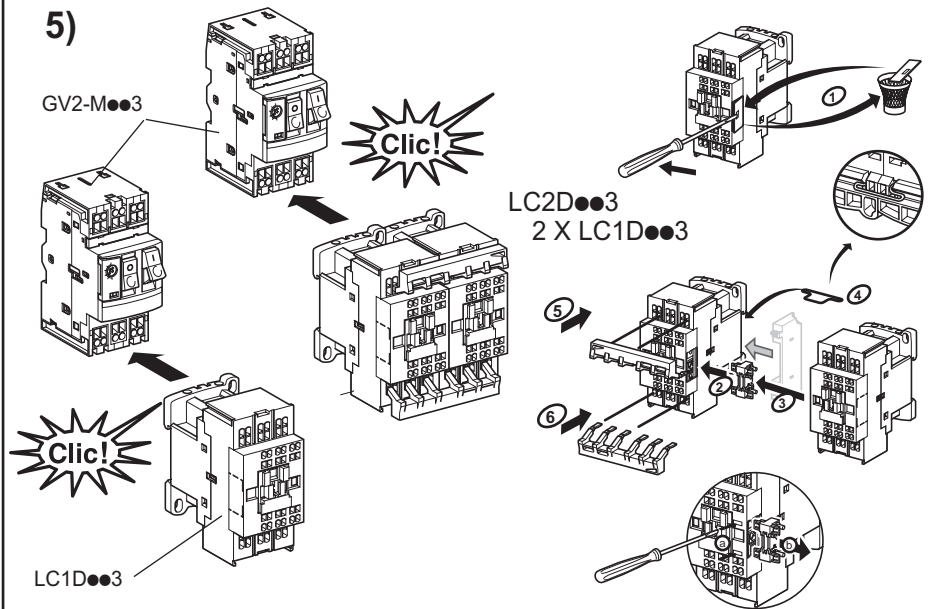
3)



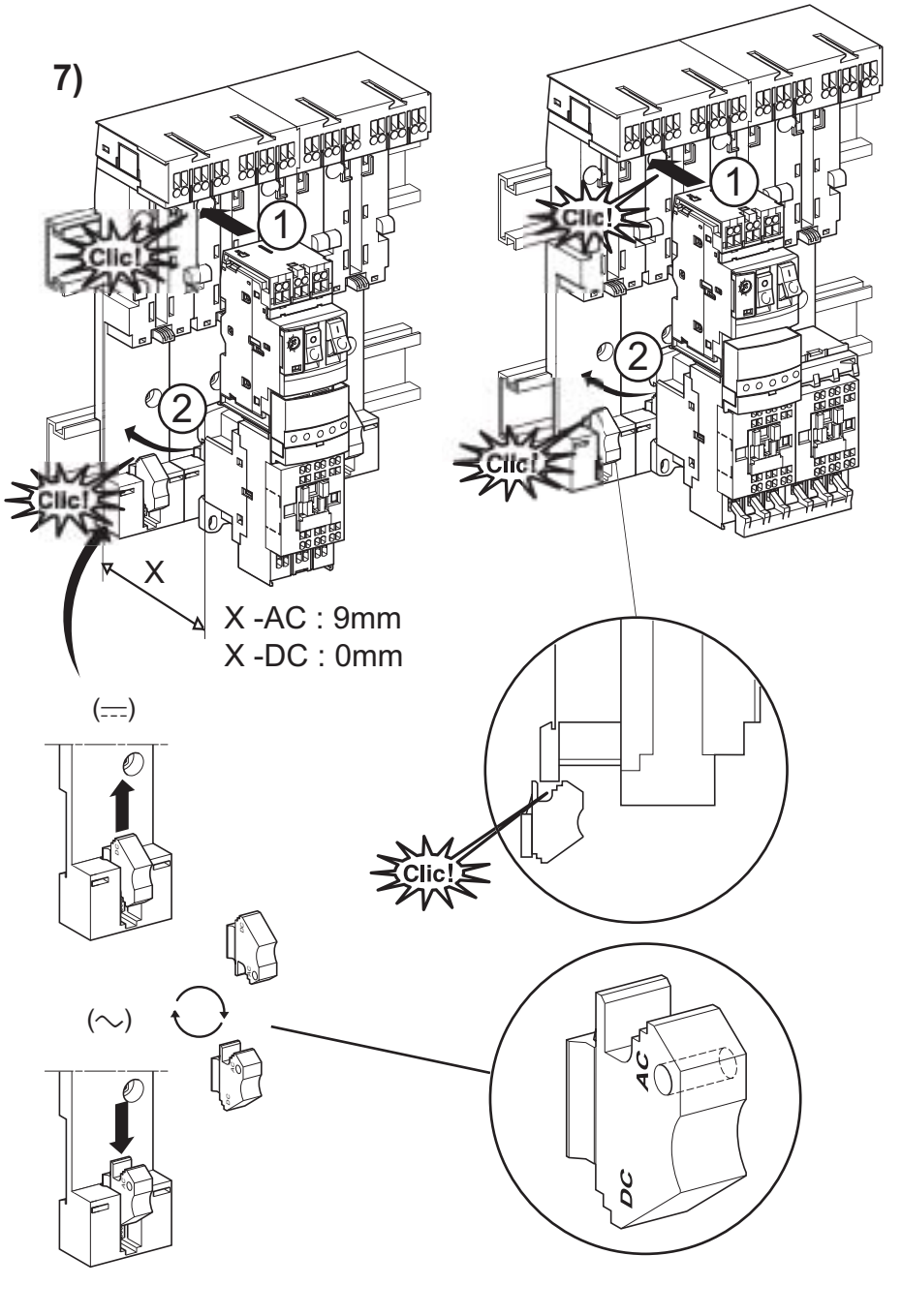
4)



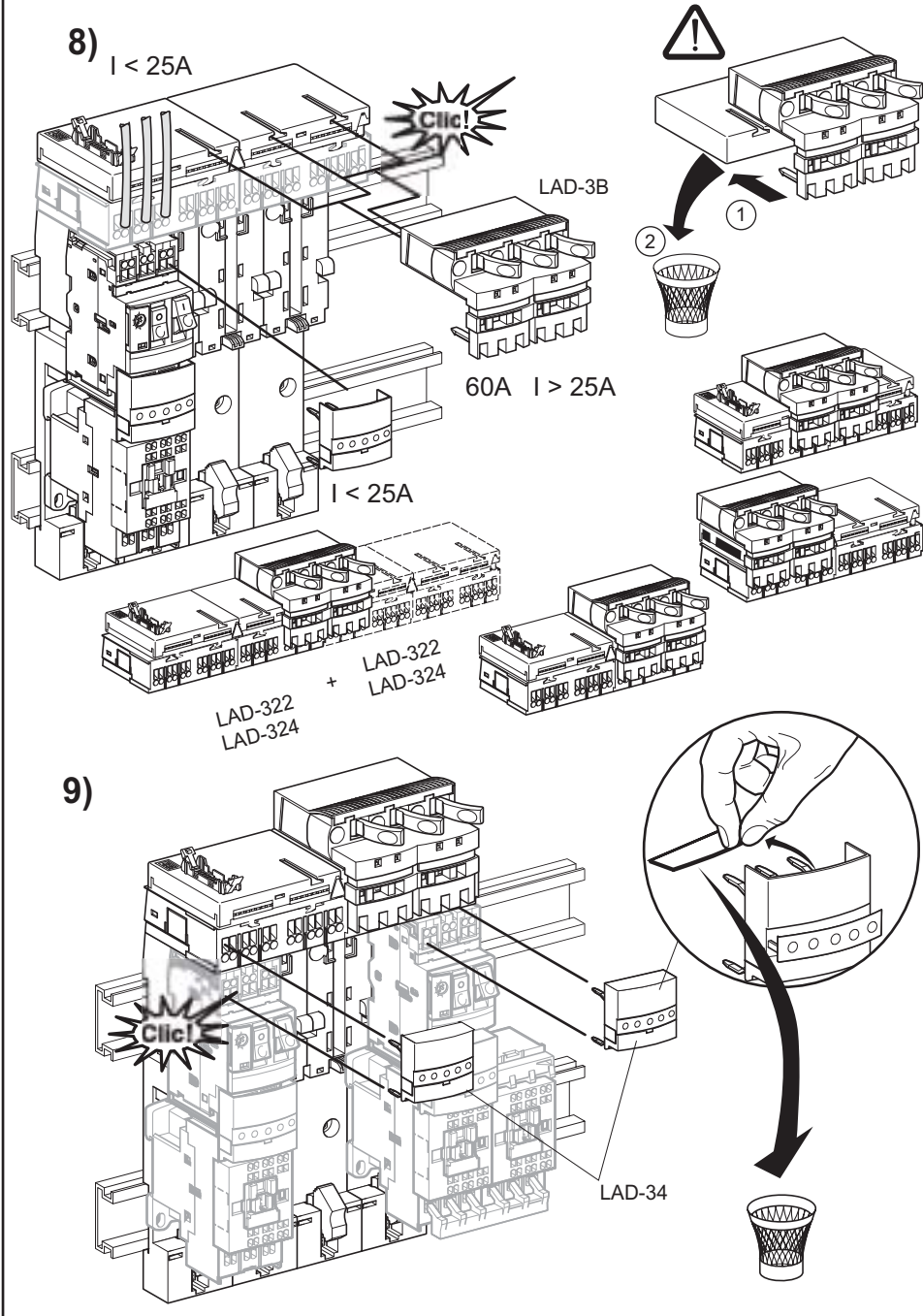
Technologie Quickfit Quickfit Technology



Technologie Quickfit Quickfit Technology

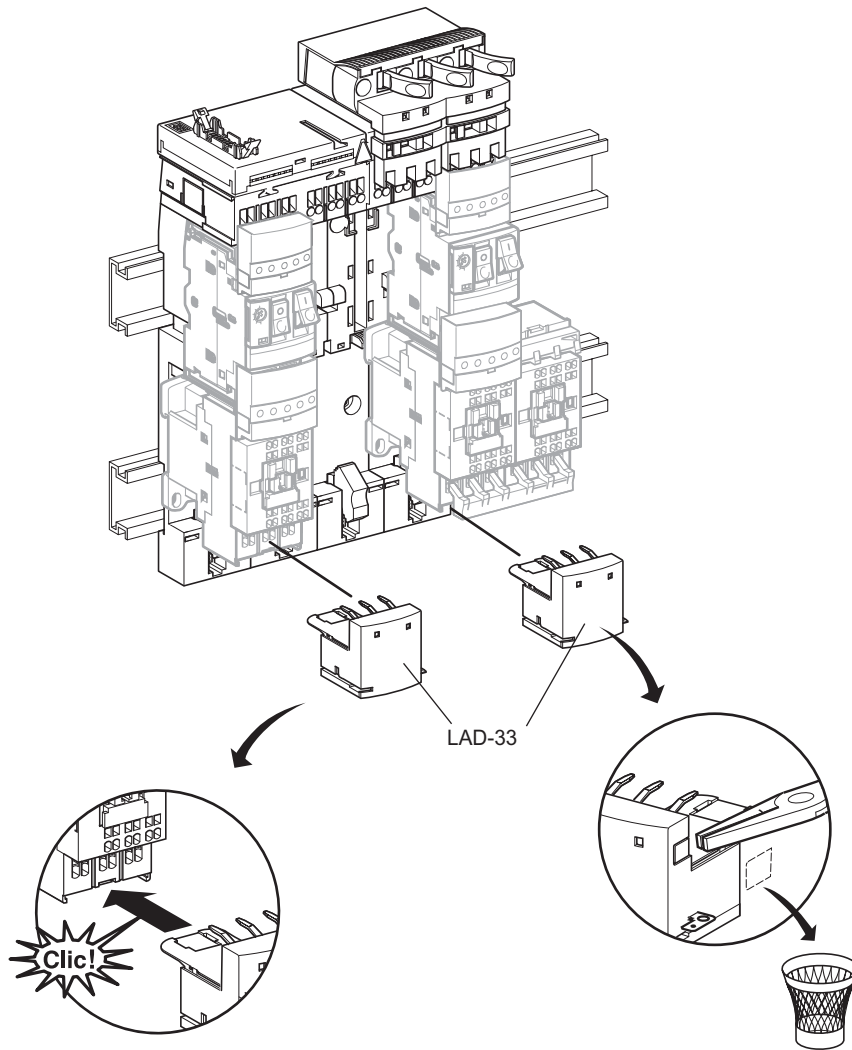


Technologie Quickfit Quickfit Technology



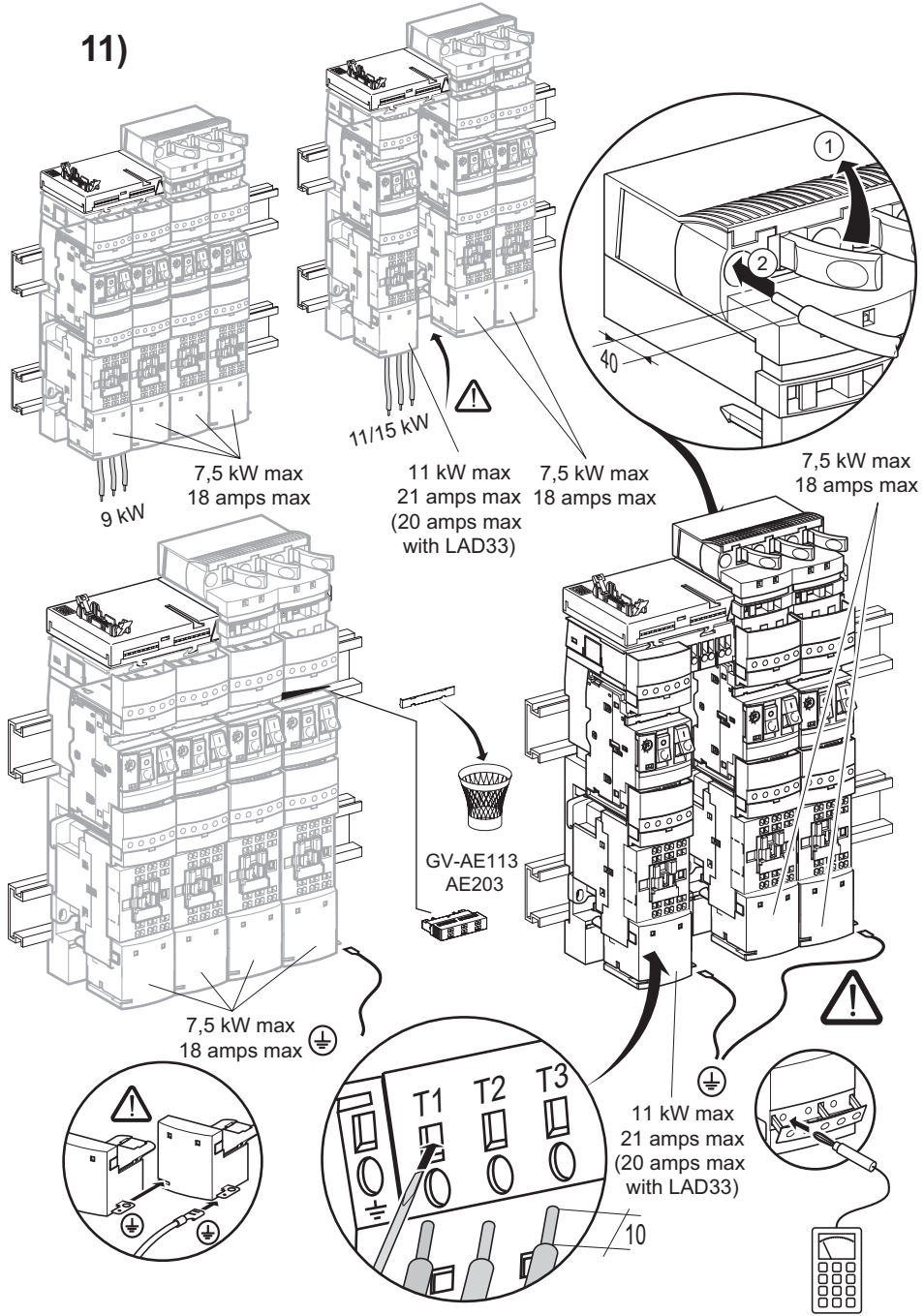
Technologie Quickfit Quickfit Technology

10)



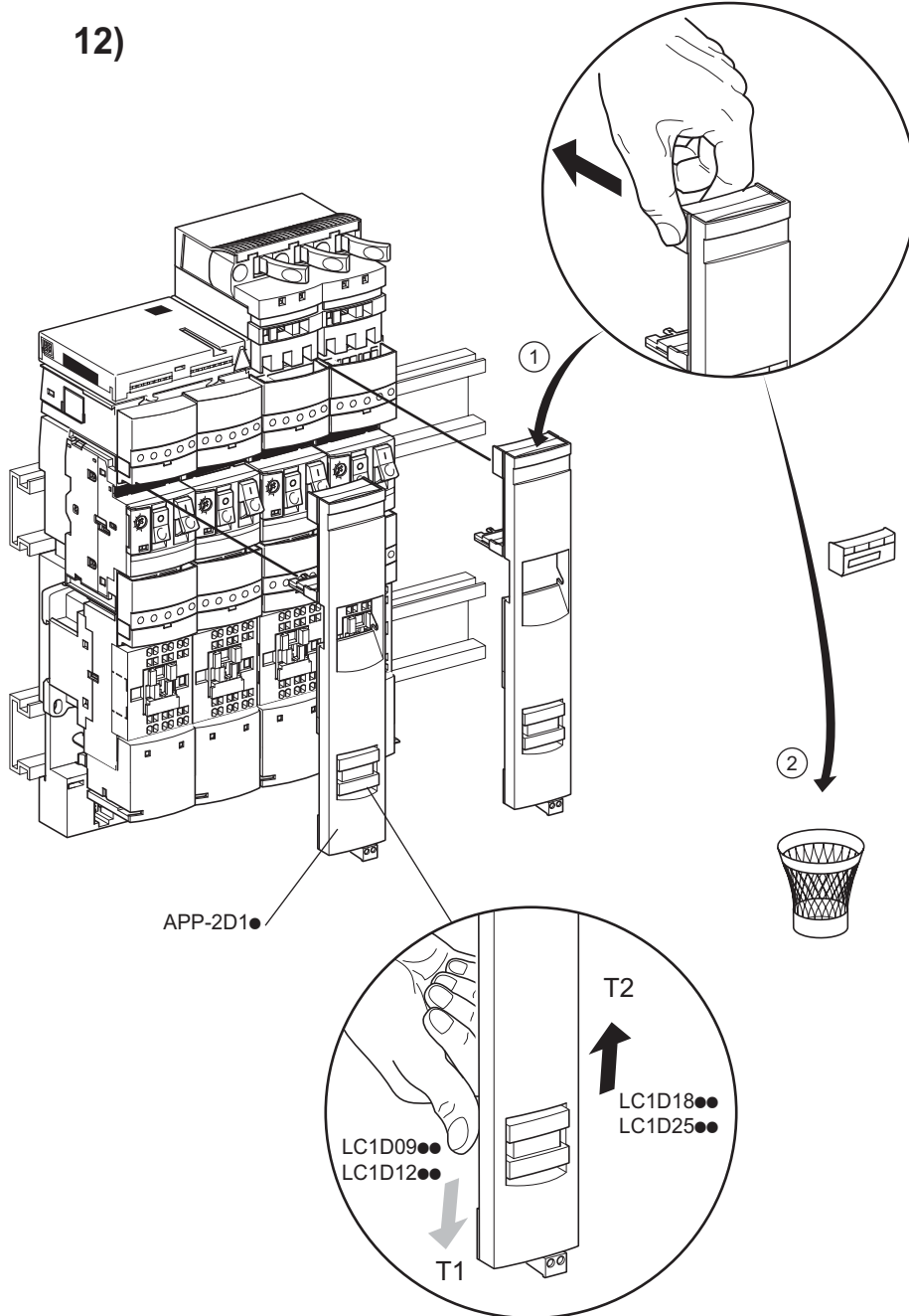
Technologie Quickfit Quickfit Technology

11)



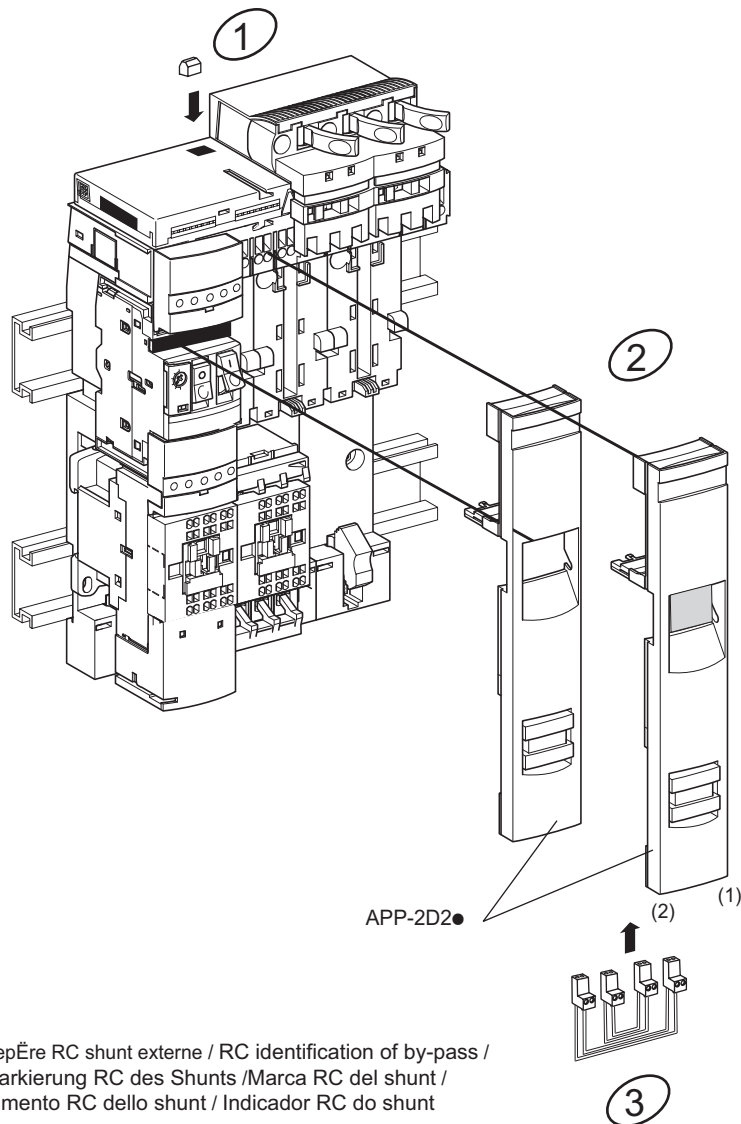
Technologie Quickfit Quickfit Technology

12)



Technologie Quickfit Quickfit Technology

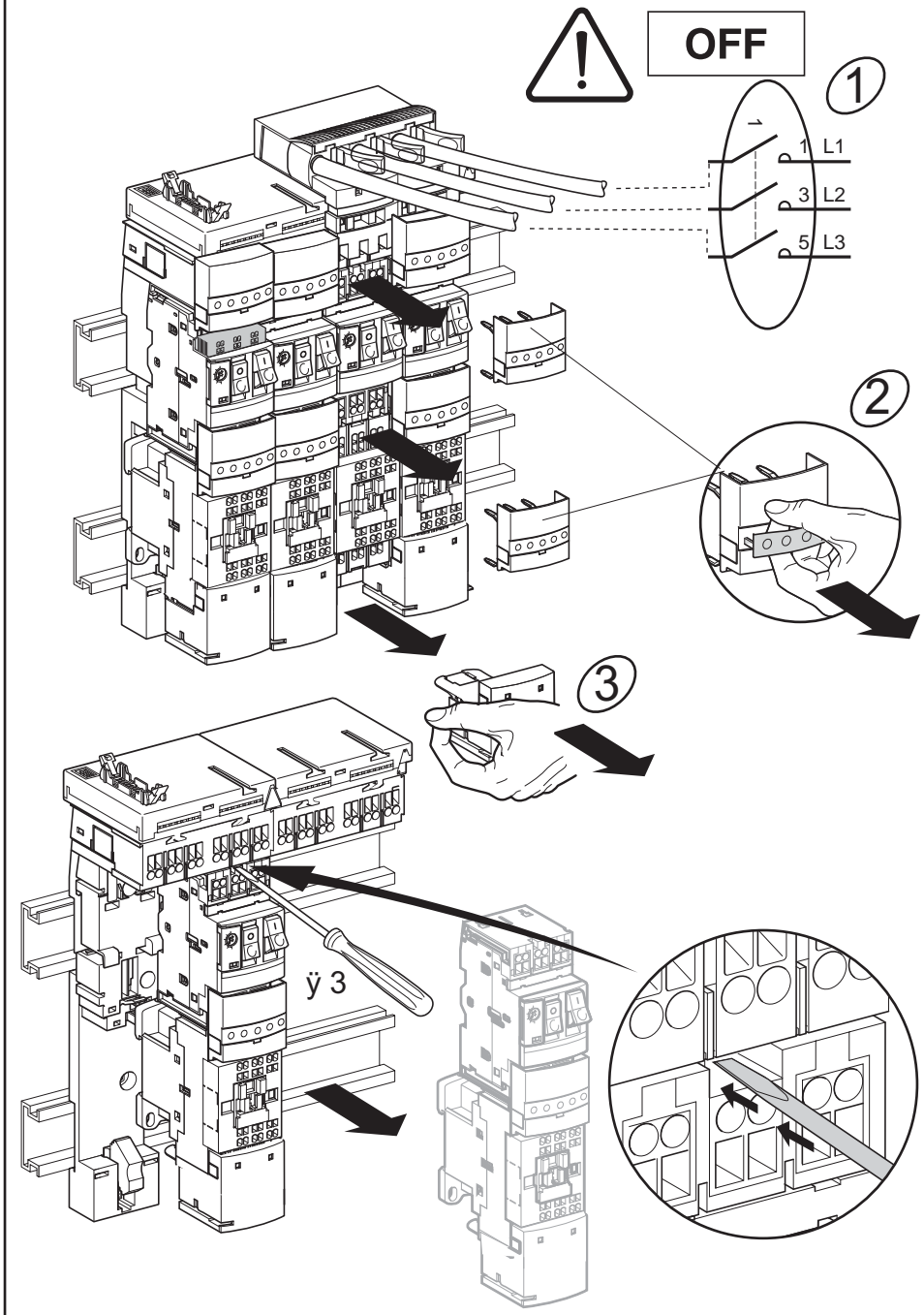
13)



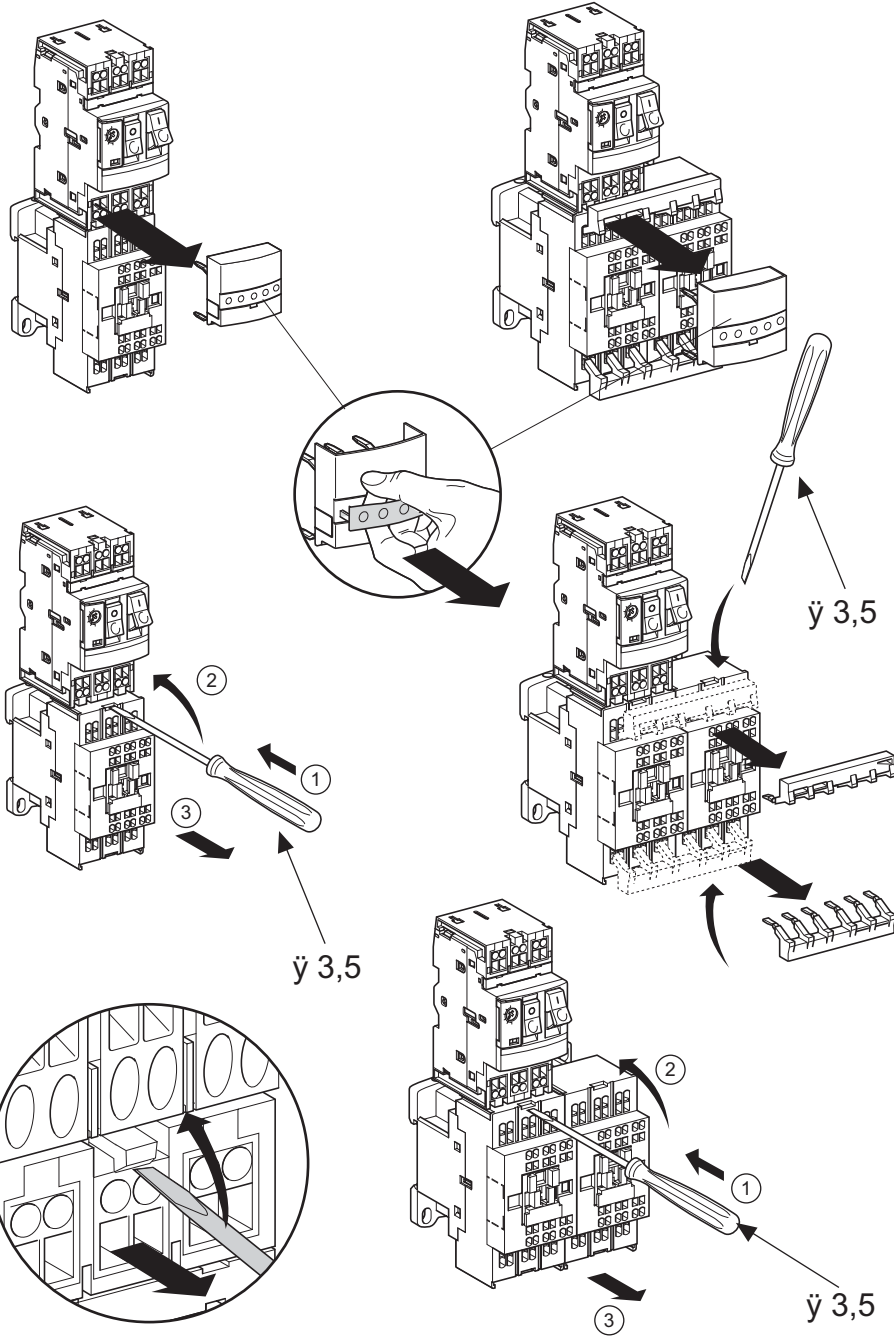
(1) RepÈre RC shunt externe / RC identification of by-pass /
Markierung RC des Shunts / Marca RC del shunt /
Riferimento RC dello shunt / Indicador RC do shunt

(2) RepÈre 21-22 Ètat contacteur / marking 21-22 contactor state /
Markierung 21-22 Schalter Status / marca 21-22 estado contactor /
Riferimento 21-22 stato contattatore / indicador 21-22 estado contactor /

Technologie Quickfit Quickfit Technology

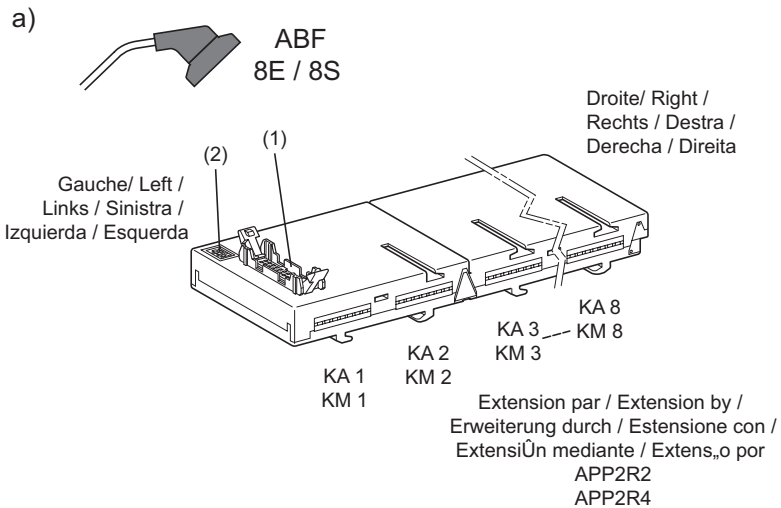


Technologie Quickfit Quickfit Technology

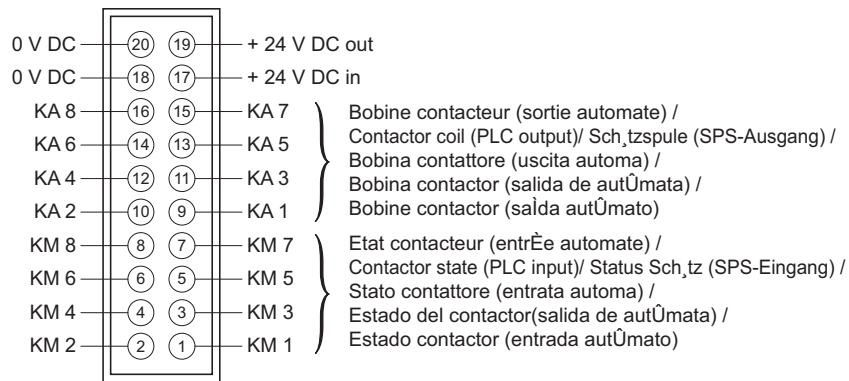


Technologie Quickfit Contrôle Quickfit Control Technology

12) APP2 R4H1, APP2 R4H3



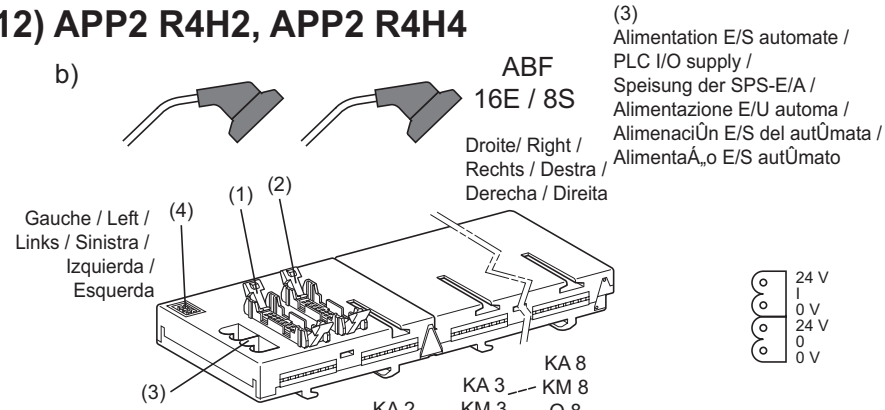
(1) HE10 - PIN OUT



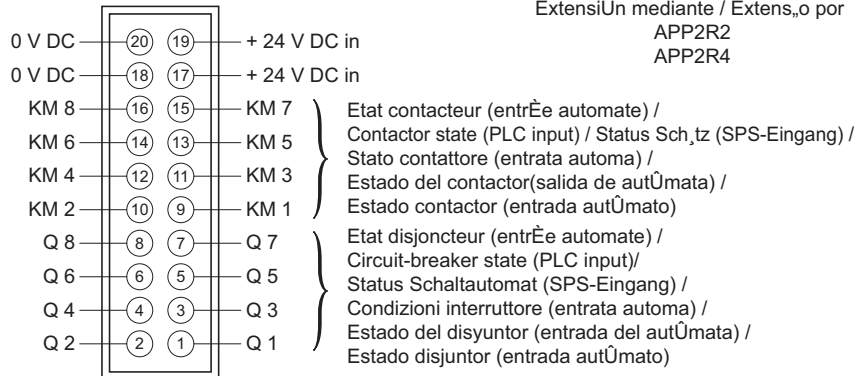
(2)
 Alimentation bobines contacteurs KM / KM contactor coils supply /
 Speisung der Sch,tzspulen KM / Alimentazione bobine contattori KM /
 AlimentaciÓn de las bobinas contactores KM / AlimentaÁ, o bobinas contactores KM

Technologie Quickfit Contrôle Quickfit Control Technology

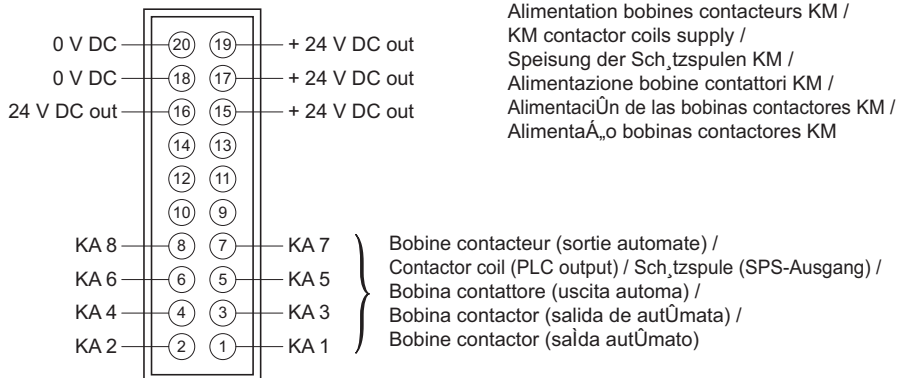
12) APP2 R4H2, APP2 R4H4



(1) HE10 - PIN OUT

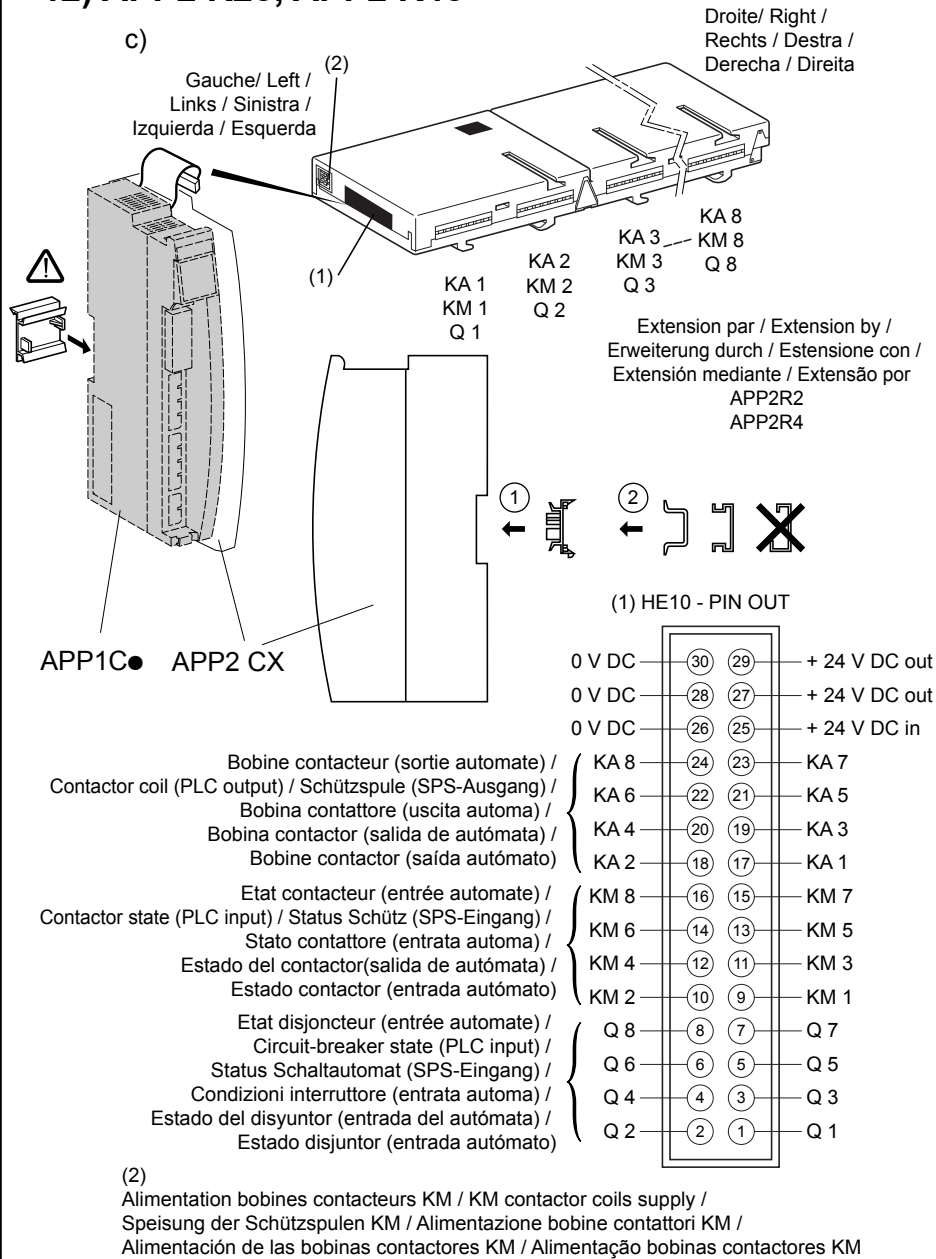


(2) HE10 - PIN OUT



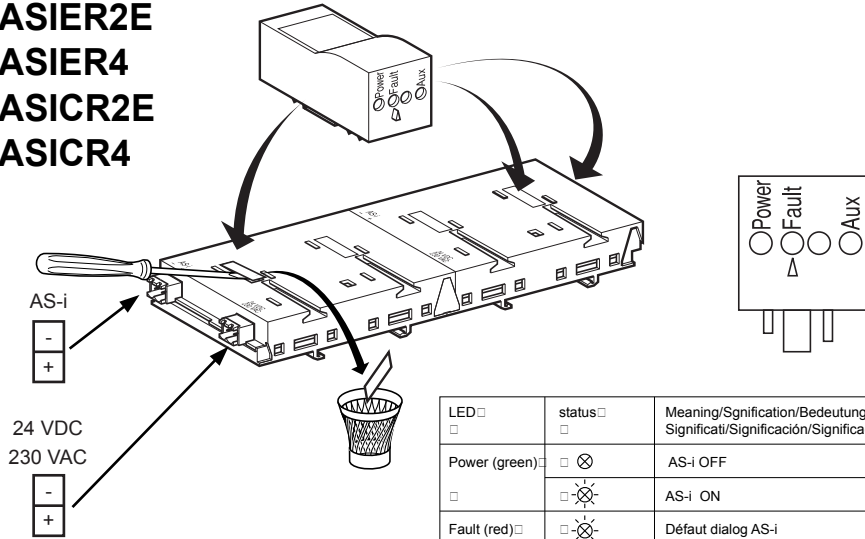
Technologie Quickfit Contrôle Quickfit Control Technology

12) APP2 R2●, APP2 R4●



Technologie Quickfit Quickfit Technology

ASIER2E
ASIER4
ASICR2E
ASICR4



24 VDC
230 VAC

LED <input type="checkbox"/>	status <input type="checkbox"/>	Meaning/Sgnification/Bedeutung/ Significati/Significacón/Significaçáo
Power (green) <input type="checkbox"/>	<input type="checkbox"/>	AS-i OFF
<input type="checkbox"/>	<input type="checkbox"/>	AS-i ON
Fault (red) <input type="checkbox"/>	<input type="checkbox"/>	Défaut dialog AS-i
<input type="checkbox"/>	<input type="checkbox"/>	Défaut Aux. power OFF
Aux. (green) <input type="checkbox"/>	<input type="checkbox"/>	Aux. power ON
<input type="checkbox"/>	<input type="checkbox"/>	Aux. power OFF

Les profils produits : ASI●R2E :7A7E
 ASI●R4 :7FFE

Adressing	Direccionamiento	(XZMC11 + ASITERIR1) or (ASITERV2 = XZMG12) or
Adressage	Indirizzamento	(ASITERV2 + ASITERIR1) or (XZMC11 + XZMG12)
Adresse	Endereçamento	

Terminal board wiring for AS-i or Auxiliary power supply
Câblage bornier AS-i ou Auxiliaire
Verkabelung Klemmenleiste, für Versorgung AS-i oder Hilfsgerät
Cableado caja de terminal para alimentación AS-i o Auxiliar
Cablaggio morsettiera per alimentazione AS-i o Ausiliaria
Cablagem bloco terminal para uma alimentação AS-i ou Auxiliar

