

# Enclosed Altistart™ 22

Solid State Reduced Voltage Combination Motor Controller

## Altistart™ 22 en gabinete

Controlador de motor combinado a tensión reducida de estado sólido

## Altistart<sup>MC</sup> 22 sous coffret

Contrôleur de moteur combiné transistorisé à tension réduite

Instruction Bulletin  
Boletín de instrucciones  
Directives d'utilisation

30072-453-26  
Rev. 03, 12/2012

Retain for Future Use.  
Conservar para uso futuro.  
À conserver pour usage ultérieur.



 **SQUARE D**™

by Schneider Electric



---

**Enclosed Altistart™ 22**  
**Solid State Reduced Voltage Combination Motor Controller**

---

ENGLISH

---

**Altistart™ 22 en gabinete**  
**Controlador de motor combinado a tensión reducida de estado sólido**

---

ESPAÑOL

---

**Altistart<sup>MC</sup> 22 sous coffret**  
**Contrôleur de moteur combiné transistorisé à tension réduite**

---

FRANÇAIS





# Enclosed Altistart™ 22

## Solid-State Reduced Voltage Combination Motor Controller

ENGLISH

Instruction Bulletin

30072-453-26

Rev. 03, 12/2012

Retain for future use.





	Hazard Categories and Special Symbols.....	6
<b>SECTION 1:</b>	<b>INTRODUCTION AND TECHNICAL CHARACTERISTICS .....</b>	<b>7</b>
	Product Overview.....	7
	Standard Features .....	7
	About this Document.....	7
	Terminology .....	8
	Before You Begin .....	8
	Nameplate Identification.....	10
	Catalog Number Description .....	10
	Technical Characteristics .....	13
	Short-Circuit Ratings .....	17
	Technical Specifications.....	18
<b>SECTION 2:</b>	<b>RECEIVING, HANDLING, AND STORING .....</b>	<b>21</b>
	Receiving and Preliminary Inspection .....	21
	Storing the Equipment.....	21
	Unpacking the Controller.....	22
	Wall-Mounted Units .....	22
	Floor-Mounted Units .....	22
	Lifting the Controller.....	23
	Wall-Mounted Controllers .....	23
	Floor-Mounted Controllers .....	23
	Positioning the Controller .....	25
<b>SECTION 3:</b>	<b>INSTALLATION AND START-UP .....</b>	<b>27</b>
	Physical Installation.....	27
	Mounting Requirements .....	27
	Size A, B, C, and D Enclosures .....	27
	Size E, F, and G Enclosures .....	28
	Spacing Requirements .....	29
	EZM Mounting Channel .....	30
	Seismic Qualification Mounting Criteria .....	32
	Weights .....	34
	Center of Gravity .....	36
	Trilingual Legend Plate Kit .....	38
	Installing the Optional Floor-Mounting Kit (MOD A10) .....	39
	Dimensions .....	40
	Electrical Installation .....	51
	General Wiring Practices .....	51
	Input Wiring .....	51
	Grounding .....	52
	Output Wiring .....	52
	Wire Routing and Interconnection .....	53
	Wire Class .....	53
	EMI Class .....	53
	Voltage Class .....	53
	Wiring Methods .....	57
	Component Locations .....	59
	Power Wiring .....	64
	Control Wiring .....	70
	Shunt Trip (B05) .....	70
	Shunt Trip (S05) and Other Power Options (N05, R05, Y05) .....	71
	Initial Start-Up Procedure.....	72
	ATS22 Soft Starter Factory Settings .....	76
	Programming Access with Omit Keypad Option (U10) or UL Type 3R Enclosure (H03) .....	76

	Adjusting the PowerPact Motor Circuit Protector Trip Setting .....	78
	Style 22T .....	78
	Style 22U .....	79
	Power Fuse Recommendations Style 22F .....	81
	Overload Relay Adjustment .....	82
<b>SECTION 4: CIRCUIT DESCRIPTIONS</b> .....		<b>85</b>
	Precautions .....	85
	Power Circuit B: Basic Shunt Trip .....	85
	Power Circuit S: Full-Featured Shunt Trip.....	85
	Power Circuit N: Non-Reversing Isolation .....	86
	Power Circuit R: Reversing Operation .....	86
	Power Circuit Y: Isolation with Integral Full-Voltage Bypass.....	86
	UL Type 3R Operation .....	86
	Control Options .....	87
	Mod A06: Start-Stop Pushbuttons .....	87
	Mod B06: Forward-Off-Reverse Selector Switch .....	87
	Mod C06: Hand-Off-Auto Selector Switch .....	87
	Mod D06: Stop-Run Selector Switch .....	87
	Mod E06: Hand-Auto Selector Switch and Start-Stop Pushbuttons ...	87
	No Control Operators .....	88
	Pilot Light Cluster Options.....	89
	Mod A07: Pilot Light Cluster #1 .....	89
	Mod B07: Pilot Light Cluster #2 .....	89
	Mod C07: Pilot Light Cluster #3 .....	89
	Mod D07: Pilot Light Cluster #4 .....	89
	No Pilot Lights .....	89
	Metering Options.....	89
	Mod B08: Elapsed Run Time Meter .....	89
	Miscellaneous Options .....	89
	Mod A10: Floor Mounting Kit .....	89
	Mod B10: 150 VA Control Power .....	89
	Mod C10: Power Up On Delay .....	89
	Mod D10: Emergency Stop Pushbutton .....	89
	Mod E10: cUL Label .....	89
	Mod F10: Auxiliary Contact for Run Mode Annunciation .....	90
	Power Circuit B05 .....	90
	Power Circuits S05, N05, R05, and Y05 .....	90
	Mod G10: Auxiliary Contact for Bypass Run Indication .....	90
	Mod H10: Auxiliary Contact for Auto Mode Annunciation .....	90
	Power Circuit B05 .....	90
	Power Circuits S05, N05, and Y05 .....	90
	Mod J10: Auxiliary Contact for Trip Condition Annunciation .....	90
	Power Circuit B05 .....	90
	Power Circuits S05, N05, R05, and Y05 .....	90
	Mod L10: Customer Engraved Nameplates .....	90
	Mod M10: Ten Additional Unwired Terminal Points .....	90
	Mod P10: Permanent Wire Markers .....	90
	Mod R10: Transient Voltage Surge Protection .....	90
	Mod U10: Omit Door-Mounted Keypad Display .....	91
	Mod X10: 50 °C Operation .....	91
	Mod Z10: Service Entrance Rating .....	91
	Mod Y10: Seismic Qualified .....	91
	Mod 610: High Interrupting Rating .....	91
	Mod 910: ARRA Option .....	91
	Engineered To Order Electrical Diagrams.....	102

---

<b>SECTION 5: MAINTENANCE</b>	103
Precautions	103
External Signs of Damage	105
Diagnostic Codes	105
Technical Support	105
Enclosed 22 Troubleshooting Sheet	106
ATS22 Fan Replacement	107
Renewable Parts	108

ENGLISH

## Hazard Categories and Special Symbols

Read these instructions carefully and look at the equipment to become familiar with the device before trying to install, operate, service, or maintain it. The following special messages may appear throughout this bulletin or on the equipment to warn of hazards or to call attention to information that clarifies or simplifies a procedure.



The addition of either symbol to a “Danger” or “Warning” safety label indicates that an electrical hazard exists which will result in personal injury if the instructions are not followed.



This is the safety alert symbol. It is used to alert you to personal injury hazards. Obey all safety messages that follow this symbol to avoid possible injury or death.

### **⚠ DANGER**

**DANGER** indicates a hazardous situation which, if not avoided, **will result in death or serious injury**.

### **⚠ WARNING**

**WARNING** indicates a hazardous situation which, if not avoided, **can result in death or serious injury**.

### **⚠ CAUTION**

**CAUTION** indicates a hazardous situation which, if not avoided, **can result in minor or moderate injury**.

### **NOTICE**

**NOTICE** is used to address practices not related to physical injury. The safety alert symbol is not used with this signal word.

**NOTE:** Provides additional information to clarify or simplify a procedure.

## Please Note

Electrical equipment should be installed, operated, serviced, and maintained only by qualified personnel. No responsibility is assumed by Schneider Electric for any consequences arising out of the use of this material.

## Section 1—Introduction and Technical Characteristics

### Product Overview

Enclosed Altistart™ 22 (ATS22) solid-state combination motor controllers are a pre-engineered, integrated solution for reduced voltage starting and soft stopping of standard three-phase asynchronous induction (squirrel cage) motors. The Enclosed 22 controllers consist of a disconnect means, optional power circuit contactors for isolation, bypass, and reversing operations, and an ATS22 soft starter in a stand-alone enclosure. Enclosed 22 controllers integrate the ATS22 soft start technology into a combination package for application requirements up to 500 hp at 575 V.

The Enclosed 22 controller provides the benefits of reduced current inrush (and resulting voltage sag) and reduced mechanical shocks that can result from starting a motor across the line. A six thyristor (SCR) solid-state power configuration provides smooth acceleration and deceleration control of three-phase squirrel cage motors. Control algorithms are integrated to help ensure smooth rotation throughout the starting ramp without mechanical instability at the end of starting. The ATS22 soft starter also features an integral shorting contactor to reduce steady state motor operational losses.

### Standard Features

Features standard on the Enclosed 22 controllers are:

- Mid-range enclosed soft starter
- Low cost, space-saving design with integrated shorting contactor
- Easy start-up
- Full starter and motor protection
- Versatile power circuit configurations
- Coordinated short circuit current rating of 100 kA at 208 V, 240 V, and 480 V and 50 kA at 600 V with circuit breakers, and 100 kA at 208 V and 600 V with Class J fuses
- UL Type 1, Type 12/12K, and Type 3R enclosure ratings and UL Listed combination motor controller (UL 508)
- Service entrance option
- Automatic remote starting

### About this Document

This document contains installation, start-up, and maintenance instructions for the Enclosed 22 controller. The following documentation is also available from the technical library at [www.schneider-electric.us](http://www.schneider-electric.us):

- *ATS22 User Manual*, BBV51330
- *ATS22 Quick Start Guide*, S1A10388 and *Annex for UL508 Markets*, S1A14738
- *ATS22 CD-ROM*, VW3A8200
- *Handling, Installation, Operation, and Maintenance of Electrical Control Equipment*, Instruction Bulletin 30072-200-50

To replace documents, contact your local Schneider Electric field office or download them from the Technical Library at [www.schneider-electric.us](http://www.schneider-electric.us).

## Terminology

The following terminology is used in this instruction bulletin to distinguish between the Enclosed 22 controller and the ATS22 soft starter component:

- Enclosed 22 controller, or controller, refers to the combination of the ATS22 soft starter, enclosure, and the power and control circuits that comprise the Enclosed 22 combination motor controller.
- ATS22 soft starter, or soft starter, refers to the ATS22 solid-state reduced voltage motor controllers used as a component in the Enclosed 22 controller. The ATS22 soft starter is described in the *ATS22 User Manual*, BBV51330.
- Shorting contactor refers to the internal contactor(s) in the ATS22 soft starter. The shorting contactor closes during full speed operation to reduce losses under steady state operation.
- Bypass, or integral bypass starter, refers to the optional, integrated full voltage combination starter in the enclosed ATS22 controller (power circuit option Y05). When provided, the integral bypass starter may be used to start and run the motor in the unlikely event that the ATS22 soft starter becomes inoperable.

## Before You Begin

Read and follow these precautions before performing any procedure with this controller.

### **⚠ DANGER**

#### **HAZARD OF ELECTRIC SHOCK, EXPLOSION, OR ARC FLASH**

- Read and understand this manual before installing or operating the Enclosed 22 controller. Installation, adjustment, repair, and maintenance must be performed by qualified personnel.
- The user is responsible for compliance with all national and local electrical code requirements with respect to grounding of all equipment.
- Many parts of this controller, including the printed circuit boards, operate at the line voltage. **DO NOT TOUCH.** Use only electrically insulated tools.
- Some terminals may have voltage when the disconnect is open.
- Before servicing the controller:
  - Disconnect all power, including external control power that may be present.
  - Place a “DO NOT TURN ON” label on all power disconnects.
  - Lock disconnects in the open position.
- Install and close all covers before applying power or starting and stopping the controller.

**Failure to follow these instructions will result in death or serious injury.**



## **⚠ DANGER**

### **HAZARD OF ELECTRIC SHOCK, EXPLOSION, OR ARC FLASH**

- Apply appropriate personal protective equipment (PPE) and follow safe electrical work practices. See NFPA 70E.
- This equipment must only be installed and serviced by qualified electrical personnel.
- Turn off all power supplying this equipment before working on or inside equipment.
- Always use a properly rated voltage sensing device to confirm that power is off.
- Replace all devices, doors, and covers before turning on power to this equipment.

**Failure to follow these instructions will result in death or serious injury.**

## **⚠ WARNING**

### **LOSS OF CONTROL**

- The designer of any control scheme must consider the potential failure modes of control paths and, for certain critical control functions, provide a means to achieve a safe state during and after a path failure. Examples of critical control functions are emergency stop and overtravel stop.
- Separate or redundant control paths must be provided for critical control functions.
- System control paths may include communication links. Consideration must be given to the implications of anticipated transmission delays or failures of the link<sup>1</sup>.
- Each implementation of an Enclosed 22 controller must be individually and thoroughly tested for proper operation before being placed into service.

**Failure to follow these instructions can result in death, serious injury, or equipment damage.**

<sup>1</sup> For additional information, refer to NEMA ICS 1.1 (latest edition), "Safety Guidelines for the Application, Installation, and Maintenance of Solid State Control."

## **⚠ CAUTION**

### **INCOMPATIBLE LINE VOLTAGE**

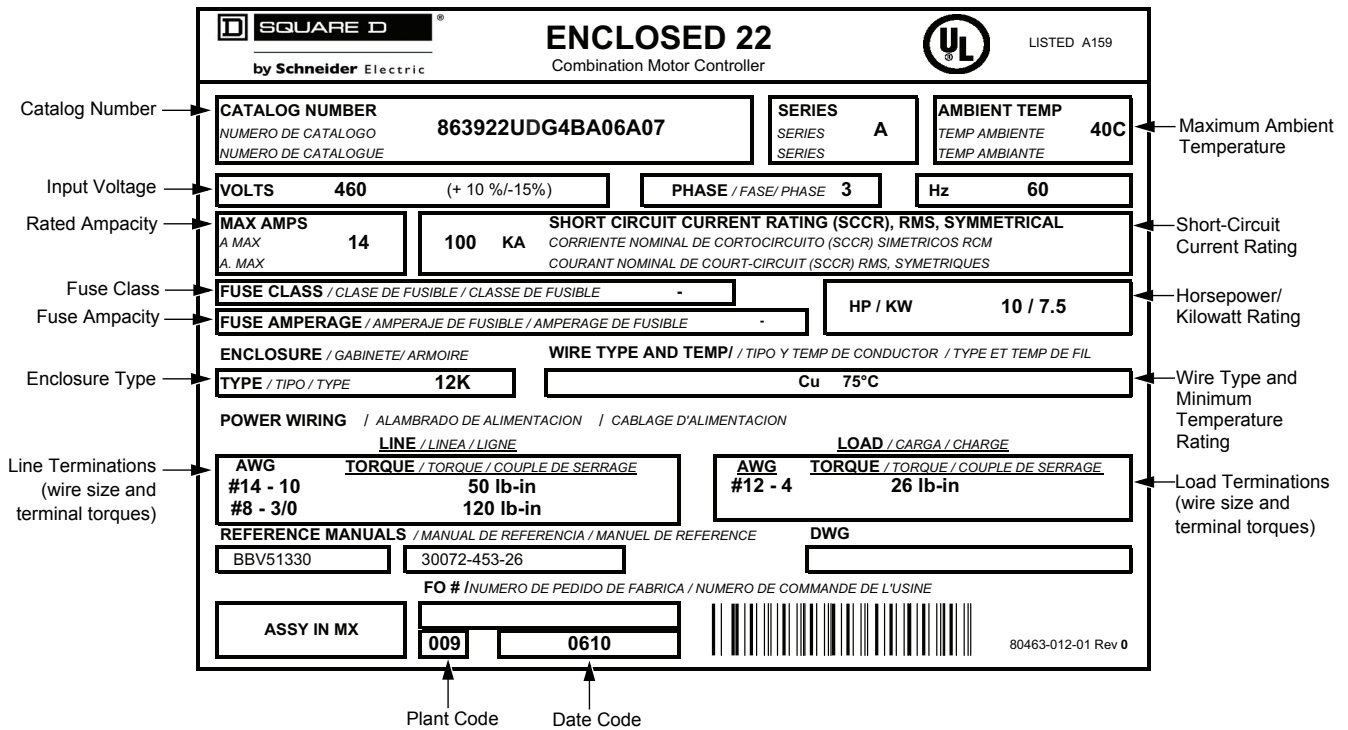
Before turning on and configuring the controller, ensure that the line voltage is compatible with the line voltage range specified on the controller nameplate. The controller can be damaged if the line voltage is not compatible.

**Failure to follow these instructions can result in injury or equipment damage.**

## Nameplate Identification

The nameplate for the Enclosed 22 controller is on the inside of the enclosure door. See Figure 1. The nameplate identifies the controller type and modification options. When identifying or describing the Enclosed 22 controller, use the data from this nameplate.

Figure 1: Nameplate Example



## Catalog Number Description

The catalog number is on the nameplate attached to the inside of the Enclosed 22 controller door (see Figure 1). The catalog number is coded to describe the configuration of the controller.

Use Table 2 on page 11 to translate the catalog number into a description of the controller. The example in Table 1 translates the catalog number shown on the nameplate.

For descriptions of the options listed in Table 2, refer to Section 4 beginning on page 85.

Table 1: Catalog Number Example: 863922UDG4BA06A07

Field							
—	1	2	3	4	5	6	7
8639	22U	D	G	4	B	A06	A07
Controller Class	PowerPact™ Thermal-Magnetic Circuit Breaker	10 hp	UL Type 1 General Purpose	460 Vac	Basic Shunt Trip	Start-Stop Pushbutton	Run Light (Red), Off Light (Green)

**Table 2: Catalog Number Description**

Field	Digit	Characteristic	Description
—	—	Controller Class	8638 = Fused Disconnect <sup>1</sup> 8639 = Circuit Breaker Disconnect
01	1–3	Controller Style	22F = Altistart 22 with Class J fuse clips and molded case switch <sup>1</sup> 22T = Altistart 22 with PowerPact Motor Circuit Protector 22U = Altistart 22 with PowerPact Thermal-Magnetic Circuit Breaker
02	4	Horsepower	A = 3 hp                      L = 60 hp B = 5 hp                      M = 75 hp C = 7.5 hp                    N = 100 hp D = 10 hp                    P = 125 hp E = 15 hp                    Q = 150 hp F = 20 hp                    R = 200 hp G = 25 hp                    S = 250 hp H = 30 hp                    T = 300 hp J = 40 hp                    U = 350 hp K = 50 hp                    W = 400 hp X = 500 hp
03	5	Enclosure Type	G = UL Type 1 General Purpose A = UL Type 12/12K Industrial Use, Dust-Tight/Drip-Tight <sup>2</sup> H = UL Type 3R Outdoor Use
04	6	Voltage	2 = 208 Vac 3 = 230 Vac 4 = 460 Vac 5 = 575 Vac
05	7	Power Circuit	B = Basic Shunt Trip S = Full-Featured Shunt Trip N = Non-reversing Isolation R = Reversing Isolation Y = Integral Full-Voltage Bypass
06	8–10	Control Options <sup>3,4</sup>	A06 = Start-Stop Pushbuttons B06 = Forward-Off-Reverse <sup>5</sup> C06 = Hand-Off-Auto (HOA) Selector Switch D06 = Stop-Run Selector Switch E06 = Hand-Auto Selector Switch / Start-Stop Pushbuttons
07	11–13	Pilot Device Options <sup>3,4</sup>	A07 = Run Light (Red), Off Light (Green) B07 = Push-to-Test Run Light (Red), Push-to-Test Off Light (Green) C07 = Run Light (Red), Off Light (Green), Tripped Light/Reset (Yellow) <sup>6</sup> D07 = PTT Run Light (Red), PTT Off Light (Green), Tripped Light/Reset (Yellow) <sup>6</sup>
08	14–16	Metering Options <sup>3</sup>	B08 = Elapsed Run Time Meter

*Continued on next page*

**Table 2: Catalog Number Description (continued)**

Field	Digit	Characteristic	Description
09	17–19	Miscellaneous Options <sup>3</sup>	A10 = Floor Mounting Kit <sup>7</sup> B10 = Additional 150 VA <sup>1</sup> C10 = Power-Up On Delay Relay <sup>1,10</sup> D10 = Emergency Stop Pushbutton <sup>1</sup> E10 = cUL Label <sup>8</sup> F10 = Auxiliary Run Mode Contacts G10 = Auxiliary FV Bypass Contacts <sup>1,9</sup> H10 = Auxiliary Auto Mode Contacts <sup>10,11</sup> J10 = Auxiliary Trip Indication Contacts L10 = ID Engraved Nameplate <sup>1</sup> M10 = 10 Spare Terminal Blocks <sup>1</sup> P10 = Permanent Wire Markers <sup>1</sup> R10 = MOV/Surge Arrestor <sup>1</sup> U10 = Omit Door-Mounted Keypad Display <sup>12</sup> X10 = 50 °C (122 °C) Operation Y10 = Seismic Qualified Z10 = Service Entrance Rating <sup>8</sup> 610 = High Interrupting Rating <sup>13</sup> 910 = American Recovery and Reinvestment Act (ARRA) Option

- <sup>1</sup> This option is not selectable with power circuit option B05.
- <sup>2</sup> Wall-mounted enclosures include knockouts for conduit connection. Refer to Figures 17–21 beginning on page 40 for knockout location and details.
- <sup>3</sup> Select only one option.
- <sup>4</sup> To omit, do not include a selection in the catalog number.
- <sup>5</sup> Control circuit B06 is required when reversing isolation power circuit (R05) is selected and is not available with other power circuit options.
- <sup>6</sup> This option is not valid with shunt trip power circuits (B05 or S05).
- <sup>7</sup> This option is available only for enclosure size D. Refer to Table 12 on page 35 for ratings.
- <sup>8</sup> Options E10 and Z10 cannot be ordered together.
- <sup>9</sup> The contacts are available only when power circuit option Y05 is selected.
- <sup>10</sup> The contacts are not available when power circuit option R05 is selected.
- <sup>11</sup> This option is valid only with the following control options: C06, D06, or E06.
- <sup>12</sup> If you select option U10, you must separately order the remote keypad (VW3G22101) and cable (VW3A1104R30) to commission the soft starter. Refer to the *ATS22 User Manual*, BBV51330, for serial communication programming and control capabilities.
- <sup>13</sup> Enclosed ATS22 controllers sizes E and G with circuit breaker disconnection (22U) are provided as standard with short circuit ratings of 65 kA @ 460 V and 25 kA @ 575 V. Selection of option 610 increases the rating to 100 kA @ 460 V or 50 kA @ 575 V. The option is not valid with controller styles 22T or 22F.

## Technical Characteristics

Table 3: Standard Duty Ratings, UL Type 1 and Type 12/12K

Enclosed 22 Catalog No. 1,2,3	Input Voltage 60 Hz	Horsepower Rating	Full Load Current	Maximum Total Dissipated Power at Rated Load 4,5	Altistart 22 Catalog No.
	Vac	hp	A	W	
22◆A●2✖	208	3	10.6	65.7	ATS22D17S6U
22◆B●2✖		5	16.7	71.8	ATS22D32S6U
22◆C●2✖		7.5	24.2	75.0	ATS22D32S6U
22◆D●2✖		10	30.8	81.8	ATS22D47S6U
22◆E●2✖		15	46.2	95.4	ATS22D62S6U
22◆F●2✖		20	59.4	106.7	ATS22D75S6U
22◆G●2✖		25	74.8	112.0	ATS22D88S6U
22◆H●2✖		30	88	149.0	ATS22C11S6U
22◆J●2✖		40	114	182.8	ATS22C14S6U
22◆K●2✖		50	143	221.3	ATS22C17S6U
22◆L●2✖		60	169	252.6	ATS22C21S6U
22◆M●2✖		75	211	307.1	ATS22C25S6U
22◆N●2✖		100	273	418.3	ATS22C32S6U
22◆P●2✖		125	343	533.0	ATS22C41S6U
22◆Q●2✖		150	395	563.0	ATS22C48S6U
22◆B●3✖	230	5	15.2	66.5	ATS22D17S6U
22◆C●3✖		7.5	22	74.2	ATS22D32S6U
22◆D●3✖		10	28	76.5	ATS22D32S6U
22◆E●3✖		15	42	94.0	ATS22D47S6U
22◆F●3✖		20	54	101.4	ATS22D62S6U
22◆G●3✖		25	68	112.8	ATS22D75S6U
22◆H●3✖		30	80	115.6	ATS22D88S6U
22◆J●3✖		40	104	163.7	ATS22C11S6U
22◆K●3✖		50	130	199.9	ATS22C14S6U
22◆L●3✖		60	154	232.9	ATS22C17S6U
22◆M●3✖		75	192	273.1	ATS22C21S6U
22◆N●3✖		100	248	354.4	ATS22C25S6U
22◆P●3✖		125	312	481.6	ATS22C32S6U
22◆Q●3✖		150	360	562.3	ATS22C41S6U
22◆R●3✖		200	480	691.3	ATS22C59S6U

Continued on next page

Table 3: Standard Duty Ratings, UL Type 1 and Type 12/12K (continued)

Enclosed 22 Catalog No. 1,2,3	Input Voltage 60 Hz	Horsepower Rating	Full Load Current	Maximum Total Dissipated Power at Rated Load 4,5	Altistart 22 Catalog No.
	Vac	hp	A	W	
22◆D●4*	460	10	14	81.2	ATS22D17S6U
22◆E●4*		15	21	88.5	ATS22D32S6U
22◆F●4*		20	27	91.6	ATS22D32S6U
22◆G●4*		25	34	98.7	ATS22D47S6U
22◆H●4*		30	40	107.2	ATS22D47S6U
22◆J●4*		40	52	121.1	ATS22D62S6U
22◆K●4*		50	65	132.0	ATS22D75S6U
22◆L●4*		60	77	134.9	ATS22D88S6U
22◆M●4*		75	96	176.8	ATS22C11S6U
22◆N●4*		100	124	214.6	ATS22C14S6U
22◆P●4*		125	156	256.1	ATS22C17S6U
22◆Q●4*		150	180	263.6	ATS22C21S6U
22◆R●4*		200	240	343.5	ATS22C25S6U
22◆S●4*		250	302	464.5	ATS22C32S6U
22◆T●4*		300	361	564.1	ATS22C41S6U
22◆U●4*		350	414	589.6	ATS22C48S6U
22◆V●4*	400	477	686.6	ATS22C59S6U	
22◆E●5*	575	15	17	82.0	ATS22D17S6U
22◆F●5*		20	22	88.6	ATS22D32S6U
22◆G●5*		25	27	90.7	ATS22D32S6U
22◆H●5*		30	32	96.8	ATS22D47S6U
22◆J●5*		40	41	106.7	ATS22D47S6U
22◆K●5*		50	52	119.3	ATS22D62S6U
22◆L●5*		60	62	127.4	ATS22D75S6U
22◆M●5*		75	77	134.9	ATS22D88S6U
22◆N●5*		100	99	179.4	ATS22C11S6U
22◆P●5*		125	125	215.7	ATS22C14S6U
22◆Q●5*		150	144	243.3	ATS22C17S6U
22◆R●5*		200	192	273.1	ATS22C21S6U
22◆S●5*		250	242	346.2	ATS22C25S6U
22◆T●5*		300	289	443.2	ATS22C32S6U
22◆W●5*		400	382	543.1	ATS22C48S6U
22◆X●5*		500	472	678.8	ATS22C59S6U

1 ◆ may be F, T or U, describing the controller style. See Table 2 on page 11.  
 2 ● may be G or A, describing the enclosure type. See Table 2 on page 11.  
 3 \* may be B, S, N, R, or Y describing the power circuit configuration. See Table 2 on page 11.  
 4 Dissipated power does not include losses of the customer-supplied power fuses.  
 5 For btu/hr, multiply the values by 3.413.

Table 4: Standard Duty Ratings, UL Type 3R and 50 °C (122 °F) Rated

Enclosed 22 Catalog No. 1,2,3	Input Voltage 60 Hz	Horsepower Rating	Full Load Current	Maximum Total Dissipated Power at Rated Load 4,5	Altistart 22 Catalog No.
	Vac	hp	A	W	
22◆A●2✱	208	3	10.6	50.4	ATS22D17S6U
22◆B●2✱		5	16.7	53.3	ATS22D32S6U
22◆C●2✱		7.5	24.2	60.1	ATS22D47S6U
22◆D●2✱		10	30.8	70.2	ATS22D47S6U
22◆E●2✱		15	46.2	74.0	ATS22D75S6U
22◆F●2✱		20	59.4	83.2	ATS22D88S6U
22◆G●2✱		25	74.8	118.5	ATS22C11S6U
22◆H●2✱		30	88	140.3	ATS22C14S6U
22◆J●2✱		40	114	164.1	ATS22C17S6U
22◆K●2✱		50	143	197.8	ATS22C21S6U
22◆L●2✱		60	169	236.3	ATS22C25S6U
22◆M●2✱		75	211	297.8	ATS22C32S6U
22◆N●2✱		100	273	376.1	ATS22C41S6U
22◆P●2✱		125	343	434.8	ATS22C48S6U
22◆B●3✱		230	5	15.2	55.1
22◆C●3✱	7.5		22	57.5	ATS22D32S6U
22◆D●3✱	10		28	68.8	ATS22D47S6U
22◆E●3✱	15		42	69.7	ATS22D62S6U
22◆F●3✱	20		54	85.3	ATS22D75S6U
22◆G●3✱	25		68	89.1	ATS22D88S6U
22◆H●3✱	30		80	127.4	ATS22C11S6U
22◆J●3✱	40		104	145.5	ATS22C14S6U
22◆K●3✱	50		130	181.2	ATS22C17S6U
22◆L●3✱	60		154	213.4	ATS22C21S6U
22◆M●3✱	75		192	250.7	ATS22C25S6U
22◆N●3✱	100		248	338.9	ATS22C32S6U
22◆P●3✱	125		312	438.1	ATS22C41S6U
22◆Q●3✱	150		360	506.6	ATS22C59S6U

Continued on next page

Table 4: Standard Duty Ratings, UL Type 3R and 50 °C (122 °F) Rated (continued)

Enclosed 22 Catalog No. 1,2,3	Input Voltage 60 Hz	Horsepower Rating	Full Load Current	Maximum Total Dissipated Power at Rated Load 4,5	Altistart 22 Catalog No.
	Vac	hp	A	W	
22◆D●4✖	460	10	14	60.4	ATS22D32S6U
22◆E●4✖		15	21	63.5	ATS22D32S6U
22◆F●4✖		20	27	75.3	ATS22D47S6U
22◆G●4✖		25	34	83.3	ATS22D47S6U
22◆H●4✖		30	40	95.1	ATS22D62S6U
22◆J●4✖		40	52	96.6	ATS22D75S6U
22◆K●4✖		50	65	101.9	ATS22D88S6U
22◆L●4✖		60	77	139.9	ATS22C11S6U
22◆M●4✖		75	96	155.9	ATS22C14S6U
22◆N●4✖		100	124	170.4	ATS22C17S6U
22◆P●4✖		125	156	208.6	ATS22C21S6U
22◆Q●4✖		150	180	251.3	ATS22C25S6U
22◆R●4✖		200	240	322.8	ATS22C32S6U
22◆S●4✖		250	302	422.9	ATS22C41S6U
22◆T●4✖		300	361	471.4	ATS22C48S6U
22◆U●4✖	350	414	557.3	ATS22C59S6U	
22◆E●5✖	575	15	17	68.3	ATS22D32S6U
22◆F●5✖		20	22	70.2	ATS22D32S6U
22◆G●5✖		25	27	77.7	ATS22D47S6U
22◆H●5✖		30	32	84.9	ATS22D47S6U
22◆J●5✖		40	41	89.4	ATS22D62S6U
22◆K●5✖		50	52	96.8	ATS22D75S6U
22◆L●5✖		60	62	104.5	ATS22D88S6U
22◆M●5✖		75	77	135.1	ATS22C11S6U
22◆N●5✖		100	99	155.2	ATS22C14S6U
22◆P●5✖		125	125	173.4	ATS22C17S6U
22◆Q●5✖		150	144	209.5	ATS22C21S6U
22◆R●5✖		200	192	240.9	ATS22C25S6U
22◆S●5✖		250	242	335.0	ATS22C32S6U
22◆T●5✖		300	289	447.7	ATS22C48S6U
22◆W●5✖		400	382	541.8	ATS22C59S6U

1 ◆ may be F, T, or U, describing the controller style. See Table 2 on page 11.  
 2 ● may be G, A, or H describing the enclosure type. See Table 2 on page 11.  
 3 ✖ may be B, S, N, R, or Y describing the power circuit configuration. See Table 2 on page 11.  
 4 Dissipated power does not include losses of the customer-supplied power fuses.  
 5 For btu/hr, multiply the values by 3.413.



## Short-Circuit Ratings

Enclosed 22 controllers featuring PowerPact H, J, D, L, and P frame circuit breakers as the disconnect device have a short-circuit rating of 100 kA @ 208 V, 240 V, and 480 V and 50 kA @ 600 V (RMS symmetrical).<sup>1</sup>

Enclosed 22 controllers featuring PowerPact M frame circuit breakers as the disconnect device have a short-circuit rating of 65 kA @ 208 V, 240 V, and 480 V and 25 kA @ 600 V (RMS symmetrical). This circuit breaker comes standard when ordering thermal-magnetic type disconnect (22U) at the following horsepower and voltage ranges:

- For Type 1/12 rating (40 °C / 104 °F): 150 hp @ 208 V; 200 hp @ 230 V; 350–400 hp @ 460 V; 400–500 hp @ 575 V.
- For Type 3R rating or 50 °C (122 °F) ambient rated Type 1/12: 125 hp @ 208 V; 150 hp @ 230 V; 300–350 hp @ 460 V; 350–400 hp @ 575 V.

Option 610 (22U only) provides a PowerPact P circuit breaker for thermal-magnetic disconnect to increase the rating as described above.

All enclosed 22 controllers with a fusible switch as the disconnect device have a short-circuit rating of 100,000 A (RMS symmetrical) when equipped with UL Class J time-delay fuses. To include fuses with the equipment when shipped, contact the factory.

### WARNING

#### HEAT OR FIRE DAMAGE

- Protective devices must be properly coordinated.
- Do not connect the controller to a power feeder whose short-circuit capacity exceeds the short-circuit rating listed on the controller nameplate.

**Failure to follow these instructions can result in death or serious injury.**

<sup>1</sup> Short-circuit rating for power circuits N05, R05, and Y05 with an IEC contactor is 35,000 A @ 600 V for the following horsepower ratings:  
350 hp: Type 1 and 12  
300 hp: Type 3R or Mod X10

## Technical Specifications

**Table 5: Electrical Specifications**

Supply Voltage	208 Vac +10%/-15%; 230 Vac +10%/-15%; 460 Vac +10%/-15%; 575 Vac +10%/-15%
Control Voltage	115 Vac +10%/-15% (control power transformer included)
Frequency	50/60 Hz +/- 5%
Rated Current	Full load current (FLA) per NFPA 70 / NEC Table 430-250
Motor Power	Type 1 and Type 12/12K: 3–150 hp @ 208 V 5–200 hp @ 230 V 10–400 hp @ 460 V 15–500 hp @ 575 V
	Type 3R or 50 °C (122 °F) Rated: 3–125 hp @ 208 V 5–150 hp @ 230 V 10–350 hp @ 460 V 15–400 hp @ 575 V
Motor Voltage	208, 230, 460, 575 V
Starting Duty (Standard Duty)	S1: Starting at 350% of In <sup>1</sup> for 40 s from a cold state
	S3: Starting at 300% of In <sup>1</sup> for 20 s, or 200% of In for 40 s, with a load factor of 95% and 3 starts per hour, or an equivalent thermal cycling

<sup>1</sup> In is the controller full load current listed on the nameplate.

**Table 6: Environmental Specifications**

Storage Temperature	-13 to +158 °F (-25 to +70 °C)
Operating Temperature	UL Type 1 and Type 12/12K: +14 to 104 °F (-10 to 40 °C)
	UL Type 3R and Mod X10: +14 to 122 °F (-10 to 50 °C)
Humidity	95% with no condensation or dripping water, conforming to IEC 60068-2-3
Altitude	1000 m (3280 ft.), derated by 2.2% for each additional 100 m (328 ft.) up to 2000 m (6560 ft.) maximum
Enclosure	UL Type 1: General Purpose
	UL Type 12/12K: Industrial Use, dust-tight/drip-tight
	UL Type 3R: Outdoor Use
Pollution Degree	Pollution degree 2 (UL Type 1 and Type 3R) and pollution degree 3 (UL Type 12/12K) per NEMA ICS-1 and IEC 60664-1
Resistance to Vibration (Soft Starter Only)	According to IEC 60068-2-6: 1.5 mm peak to peak from 3 to 13 Hz 1 gn from 13 to 150 Hz
Resistance to Shocks	According to IEC 60068-2
Codes and Standards	UL Listed per UL 508 under category NKJH Conforms to applicable NEMA ICS, NFPA, and IEC standards Manufactured under ISO 9001 standards Factory modification E10 provides Canadian cUL certification per C22.2 No.14. Seismic Certification: <ul style="list-style-type: none"> <li>• 2003 IBC, NFPA 5000, and ASCE7</li> <li>• ICC ES AC 156<sup>1</sup></li> </ul>

<sup>1</sup> Acceptance criteria test protocol with an importance factor of 1.5.

**Table 7: Operation**

Methods of Starting:	
Torque Ramp	Adjustable from 1 to 60 s by keypad
Current Limitation	Adjustable from 150% to 350% of controller rated current (In) as indicated on nameplate
Booster Start-up Pulse	Pulse start at 80% of full voltage for 0.1 to 1 s ( <b>bSt</b> ) for breaking free high-friction loads or starting 2-pole motors
Methods of Stopping:	
Freewheel	Coast to stop on stop command
Torque Deceleration Ramp	Adjustable from 1 to 60 s by keypad
Status and Diagnostics:	Digital display of motor and controller status, including: Ready/Run Motor Current

**Table 8: Protection**

Motor:	
Thermal Overload	Solid-state thermal overload relay, integral to the ATS22 soft starter. Overload class is selectable as 10, 20, or 30 by keypad. Range is 40% to 100% of ATS22 soft starter rated current. <sup>1</sup>
Shunt-Trip Disconnect	Removes all power from the controller cabinet when the ATS22 soft starter detects a fault condition.
Controller:	
Short-Circuit Current Ratings	<ul style="list-style-type: none"> <li>PowerPact H, J, D, L, or P Circuit Breaker: 100 kA @ 480 V and 50 kA @ 600 V<sup>2</sup></li> <li>PowerPact M Circuit Breaker: 65 kA @ 480 V and 25 kA @ 600 V</li> <li>Fusible Disconnect: 100 kA @ 600 V (requires UL Class J time-delay fuses, not included).</li> </ul>
Overcurrent Protection	An overcurrent protection device (OCPD) provides Type 1 coordination to the short-circuit current ratings.
Overtemperature Protection	Protection if heatsink temperature exceeds 85 °C (185 °F)
Shorting Contactor	A shorting contactor is integral to the ATS22 soft starter and reduces temperature rise in the enclosure by eliminating the watts loss of the SCRs.
Unbalanced Threshold Current	Programmable, 10% to 100% of soft starter rated current (In)
Ground Fault	Programmable, 10% to 100% of soft starter rated current (In)
Undervoltage/Overvoltage	Programmable, undervoltage trip at 50% to 90% of line voltage ( <b>ULn</b> ), and overvoltage trip at 110% to 125% of line voltage

<sup>1</sup> Refer to the *ATS22 User Manual*, BBV51330, for ATS22 soft starter maximum rated current. It may differ from the ratings of the Enclosed ATS22 controller.

<sup>2</sup> Short-circuit rating for power circuits N05, R05, and Y05 with an IEC contactor is 35,000 A @ 600 V for the following horsepower ratings:  
350 hp: Type 1 and 12  
300 hp: Type 3R or Mod X10



## Section 2—Receiving, Handling, and Storing

### **⚠ WARNING**

#### **DAMAGED ENCLOSED 22 CONTROLLER**

Do not operate or install any Enclosed 22 controller that appears damaged.

**Failure to follow these instructions can result in death, serious injury, or equipment damage.**

### Receiving and Preliminary Inspection

Before shipment from the factory, each Enclosed 22 controller is inspected visually, electrically, and mechanically by professional quality control analysts. Certification of quality control testing is available upon request.

Thoroughly inspect the Enclosed 22 controller before storing or installing it. Upon receipt:

1. Remove the Enclosed 22 controller from its packaging and visually inspect the exterior for shipping damage.
2. Ensure that the catalog number on the Enclosed 22 controller nameplate (see Figure 1 on page 10) matches the catalog number on the packing slip and corresponding purchase order.
3. If you find any shipping damage, notify the carrier and your Schneider Electric sales representative.

### Storing the Equipment

### **NOTICE**

#### **STACKING DURING STORAGE OR SHIPPING**

- Do not stack Enclosed 22 controllers on top of each other unless they are packed in a wooden crate. Do not stack controllers packed in a wooded crate more than three high.
- Do not place any material on top of the Enclosed 22 controller.
- Store or ship the Enclosed 22 controller in the original packaging.

**Failure to follow these instructions can result in equipment damage.**

Storing the Enclosed 22 controller in its original packaging until it reaches its final installation site helps protect the equipment and helps prevent damage to its exterior.

- If you plan to store the Enclosed 22 controller after receipt, replace it in its original packaging and store it in a clean, dry area where the ambient temperature is between -13 to +158 °F (-25 to +70 °C).
- If the controller must be shipped to another location, use the original shipping material and carton to help protect it.

## Unpacking the Controller

### Wall-Mounted Units

#### **WARNING**

##### **HEAVY EQUIPMENT**

- Lifting the Enclosed 22 controller requires the use of a lifting apparatus or two people.
- Always use safe lifting practices.

**Failure to follow these instructions can result in death, serious injury, or equipment damage.**

- Handle the Enclosed 22 controller carefully to avoid damage to the internal components, frame, and exterior.
- Lift the Enclosed 22 controller out of its shipping carton with two people or a suitable lifting apparatus, and place it on a flat surface.

### Floor-Mounted Units

Controllers shipped standing up have a high center of gravity, which may cause them to tilt and fall. Fork trucks provide a convenient method of moving floor-mounted equipment.

#### **WARNING**

##### **UNSTABLE LOAD**

- Use extreme care when moving heavy equipment.
- Verify that the moving equipment is rated to handle the weight.
- When removing equipment from a shipping pallet, carefully balance and secure it using a safety strap.

**Failure to follow these instructions can result in death, serious injury, or equipment damage.**

## Lifting the Controller

### **WARNING**

#### **HANDLING AND LIFTING HAZARD**

- Keep the area below any equipment being lifted clear of all personnel and property.
- Lifting the Enclosed 22 controller requires the use of a lifting apparatus. Use the lifting method shown in Figures 2 and 3 on page 24.
- Before lifting the controller:
  - Inspect the lifting plates, holes, slots, and eyebolts for any damage.
  - Attach a spreader bar.
  - Keep the lifting force vertical.
  - Limit the sling angle to less than 45°.

**Failure to follow these instructions can result in death, serious injury, or equipment damage.**

When lifting the controllers:

- Always work with another person. The weight, size, and shape of the controller is such that two people are required to handle it.
- Use cut-resistant gloves.

## Wall-Mounted Controllers

When lifting wall-mounted controllers:

- Attach a spreader bar to the two top lifting holes on the controller top plate and hoist the controller with chains or straps. See Figure 2 on page 24 for the proper hoisting method. See Figure 4 on page 24 for the location of the lifting holes.
- Raise the controller from a horizontal position (the back of the controller resting on the pallet) to the vertical, upright position.

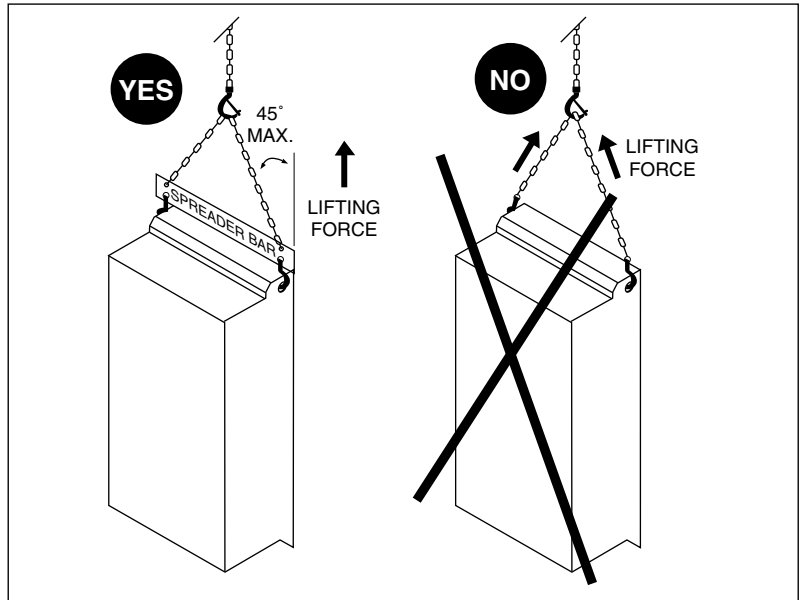
**NOTE:** The bottom of all wall-mounted controllers has a mounting flange which prevents the controller from standing in a vertical position. If the controller is rested on the mounting flange, it may tip over.

## Floor-Mounted Controllers

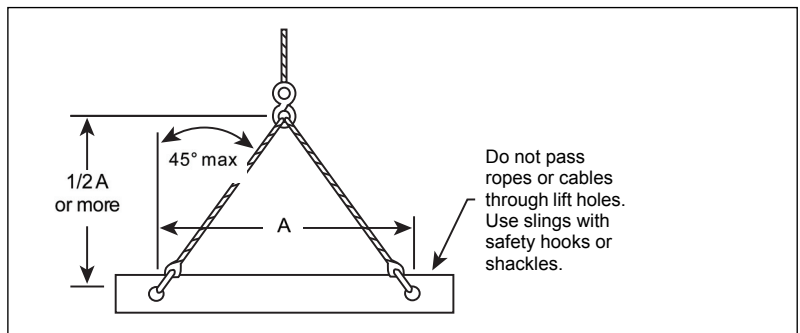
When lifting floor-mounted controllers:

- Handle the controller in the upright position only.
- Select rigging lengths to compensate for any unequal weight distribution.
- Do not exceed the 45° maximum angle between the vertical lifting cables (see Figure 3 on page 24).
- Use only slings with safety hooks or shackles. Do not pass cables through the holes in the lifting angle.

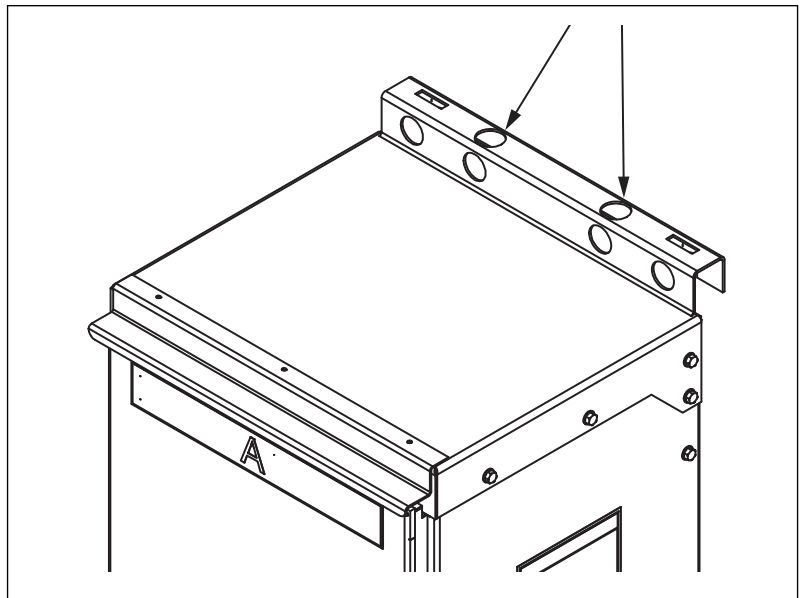
**Figure 2: Proper Use of a Spreader Bar to Lift Wall-Mounted Controllers**



**Figure 3: Proper Use of a Sling to Lift Floor-Mounted Controllers**



**Figure 4: Lifting Holes on Enclosed 22 Controllers**



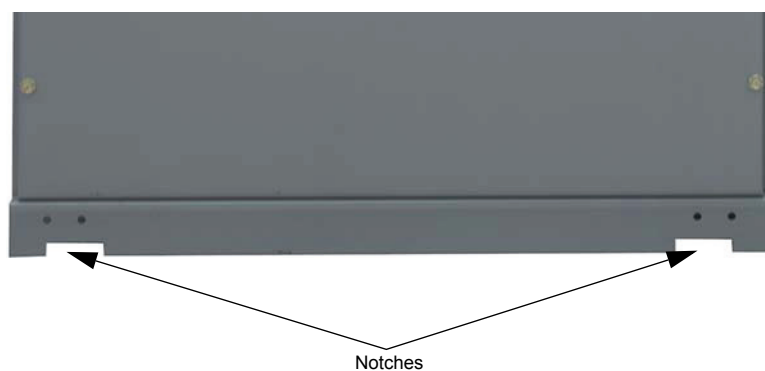


## Positioning the Controller

Using the notches in the base channels, carefully move the controller into position with a crowbar.

**NOTE:** Use extreme care when moving floor-mounted controllers, as they may be unstable. See “Unpacking the Controller” on page 22 before moving any floor-mounted equipment.

**Figure 5: Base Channel Notches**





## Section 3—Installation and Start-Up

### Physical Installation

#### **⚠ DANGER**

##### **HAZARD OF ELECTRIC SHOCK, EXPLOSION, OR ARC FLASH**

Read and understand the precautions in “Before You Begin” starting on page 8 before performing the procedures in this section.

**Failure to follow these instructions will result in death or serious injury.**

### Mounting Requirements

#### Size A, B, C, and D Enclosures

Observe these requirements when mounting the Enclosed 22 controller:

- Install the controller in a pollution degree 2 (UL Type 1 or Type 3R) or pollution degree 3 (UL Type 12/12K) environment, as defined in NEMA ICS1 and IEC 60664-1.
- Mount the wall-mounted controller on a flat, rigid, noncombustible vertical surface, capable of supporting the controller weight.
- Mount the floor-mounted controller on a flat, solid surface capable of supporting the controller weight.
- If drilling for conduit entry, take care to prevent metal chips from falling on parts and electronic printed wiring boards.
- When cleaning the interior and exterior of the controller, use a vacuum. Do not use compressed air, as it may blow contaminants into other parts of the controller.
- Check the enclosure for damage that might reduce electrical clearances.
- Do not mount the controller in direct sunlight or on hot surfaces.
- When attaching wall-mounted controllers to their mounting surfaces, use fasteners rated for the weight of the controller, the expected shock and vibration of the installation, and the expected environment. See Tables 11 and 12 beginning on page 34 for controller weights.
- Secure all four corners of the controller.
- Use water-tight rated conduit hubs to make connections between the conduit and the UL Type 3R enclosures. Conduit connections through the top of the enclosure are not recommended.
- Provide sufficient cooling for the expected heat load. See Tables 3 and 4 on pages 13 and 15 for dissipated power at rated load.
- Refer to page 30 for EZM mounting instructions.

## ⚠ WARNING

### IMPROPER MOUNTING

Before removing the lifting mechanism:

- Ensure that all hardware is of sufficient size and type for the controller weight.
- Secure and tighten all hardware.

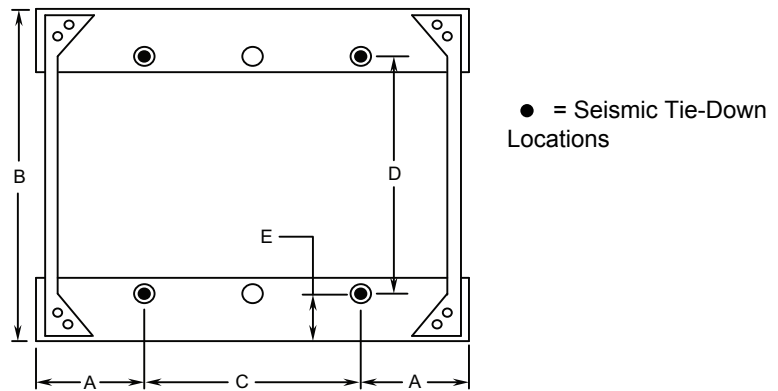
**Failure to follow these instructions can result in death, serious injury, or equipment damage.**

### Size E, F, and G Enclosures

Fasten the controller to the floor using 1/2 in. or 3/4 in. grade 5 or higher bolts and flat washers (customer furnished). The base channel mounting holes [0.88 in. (22 mm) diameter] provide clearance for expansion anchors for 1/2 in. bolts.

**NOTE:** Although the enclosure is free-standing, fastening it to the floor prevents movement and reduces the chance of conduit connection damage.

**Figure 6: Type 1 and Type 12 Base Channel Mounting Dimensions**



**Table 9: Type 1 and Type 12 Dimensions (See Figure 6 for Letters)**

Letter	Section Width in. (mm)	Dimension in. (mm)
A	N/A	5.00 (127)
B	N/A	20.00 (508)
C	20.00 (508)	10.00 (254)
	25.00 (635)	15.00 (381)
	30.00 (762)	20.00 (508)
D	N/A	14.98 (380)
E	N/A	2.50 (64)

N/A = Not applicable

Figure 7: Type 3R Section Dimensions

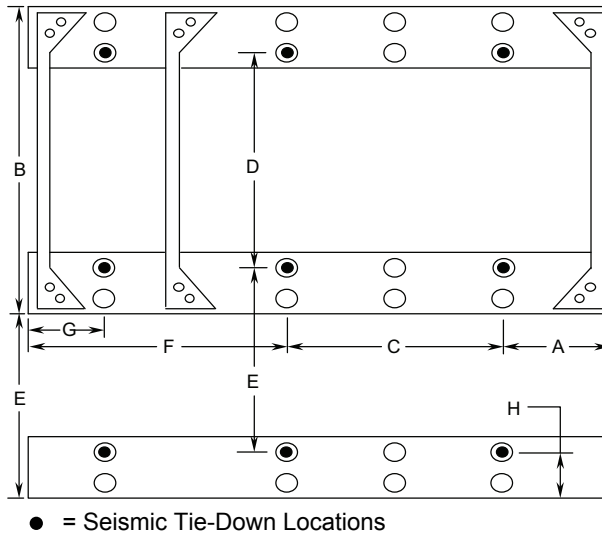


Table 10: Type 3R Dimensions (See Figure 7 for Letters)

Letter	Section Width in. (mm)	Dimension in. (mm)
A	N/A	5.00 (127)
B	N/A	20.00 (508)
C	20.00 (508)	10.00 (254)
	25.00 (635)	15.00 (381)
	30.00 (762)	20.00 (508)
D	N/A	14.98 (380)
E	N/A	11.60 (295)
F	N/A	12.50 (318)
G	N/A	5.00 (127)
H	N/A	3.60 (91)

N/A = Not applicable

## Spacing Requirements

Observe the following spacing requirements when mounting Enclosed 22 controllers:

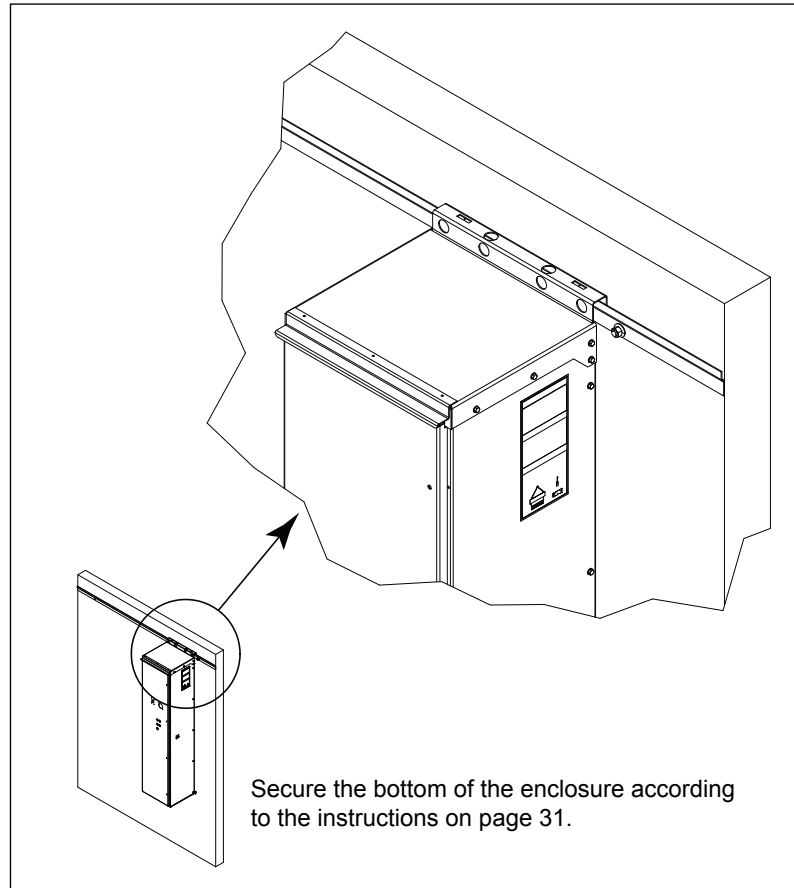
- Mount each controller so that the door can be opened at least 90°.
- Wall-mounted equipment:
  - Allow a minimum of 2.0 in. (50 mm) of clear space at the top and bottom of each controller.
  - Allow a minimum of 1.0 in. (25 mm) of clear space to the left and right of each controller.
  - Provide a minimum of 3 ft (914 mm) of free space in front of the controller.
- Floor-mounted equipment:
  - Provide a minimum of 3 ft (914 mm) of free space in front of the controller.
  - Provide a minimum of 0.5 in. (13 mm) of space between the back of the controller and the wall. For damp locations, allow a minimum of 6 in. (152 mm).

## EZM Mounting Channel

An EZM mounting channel can be used to mount a single wall-mounted enclosure or to assist in the alignment of multiple wall-mounted enclosures.

**NOTE:** EZM mounting cannot meet seismic requirements. Normal mounting methods must be used to meet seismic requirements.

**Figure 8: EZM Mounting Channel**



Observe the following requirements for EZM mounting:

- Securely fasten the EZM mounting channel to a wall that is rated to support the total weight of the controllers.
- Add additional wall anchor points to the EZM mounting channel as follows, with consideration given to wall construction:

### Shunt Trip (B05)

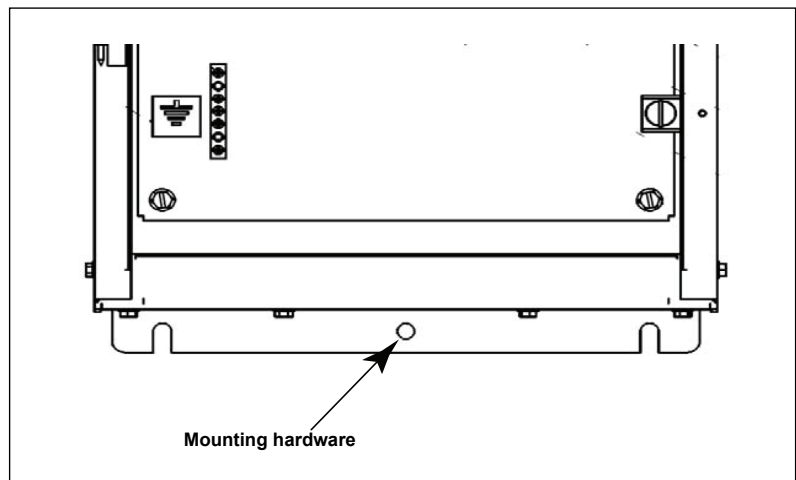
- Refer to Table 11 on page 34 for applicable enclosure type, horsepower, and voltage range.
- **Size A enclosures:** For a 72 in. (1829 mm) long rail with a maximum of eight size A controllers, do not locate the rail anchor points more than 9 in. (229 mm) from each end, and do not allow more than 25 in. (635 mm) between each additional anchor point.
- **Size B enclosures:** For a 72 in. (1829 mm) long rail with a maximum of six size B controllers, do not locate rail anchor points more than 4 in. (102 mm) from each end, and do not allow more than 15 in. (381 mm) between each additional anchor point.
- **Size D enclosures:** For a 72 in. (1829 mm) long rail with a maximum of five size D controllers, do not locate rail anchor points more than

4 in. (102 mm) from each end, and do not allow more than 15 in. (381 mm) between each additional anchor point.

**Power Options (S05, N05, R05, or Y05)**

- Refer to Table 12 on page 35 for applicable enclosure type, horsepower, and voltage range.
- **Size B enclosures:** For a 72 in. (1829 mm) long rail with a maximum of six size B controllers, do not locate rail anchor points more than 9 in. (229 mm) from each end, and do not allow more than 25 in. (635 mm) between each additional anchor point.
- **Size C and D enclosures:** For a 72 in. (1829 mm) long rail with a maximum of five size C or D controllers, do not locate rail anchor points more than 4 in. (102 mm) from each end, and do not allow more than 15 in. (381 mm) between each additional anchor point.
- Use grade 5 5/16 in. or better hardware to secure the rail to the wall. Use additional anchor hardware if needed for the material used in the wall construction.
- Add additional 5/16 in. hardware to the bottom flange of the enclosure. See Figure 9.

**Figure 9: EZM Mounting Hardware**



## Seismic Qualification Mounting Criteria

Seismic qualification (MOD S07) harmonizes the following standards in compliance with ICC ES AC156 acceptance criteria test protocol with an importance factor of 1.5:

- 2003 IBC (International Building Code)
- NFPA 5000 (Building Code–National Fire Protection Agency)
- 2001 CBC (Canadian Building Code)
- 1997 UBC (Uniform Building Code)
- 1999 NBC (BOCA National Building Code)
- 1999 SBC (Standard Building Code)
- ASCE 7 (American Society of Civil Engineers)

For seismic rating installation compliance:

- Follow the anchorage and mounting guidelines on the seismic qualification labels attached to the controller (see Figures 10–12 on pages 33–34).
- Use SAE grade 5 bolts and washers.
- Torque all bolts to applicable SAE standards for grade 5 hardware, considering all plating and lubricant factors.

### **WARNING**

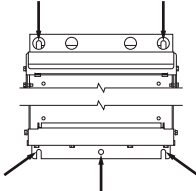
#### **TOPPLING AND CRUSHING HAZARD**

- Follow all recommended practices when anchoring and securing seismically rated equipment.
- Replace all covers and secure doors before placing equipment into service.

**Failure to follow these instructions can result in death, serious injury, or equipment damage.**



Figure 10: Seismic Anchorage Requirements for Wall-Mounted Enclosures, Label 80463-017-01



Seismic Anchorage Location  
Ubicación de los sujetadores antisísmicos  
Emplacement d'ancrage anti-séisme

### Seismic Anchorage Requirements

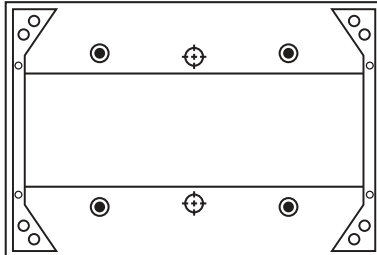
Requisitos de los sujetadores antisísmicos  
Exigences d'ancrage anti-séisme

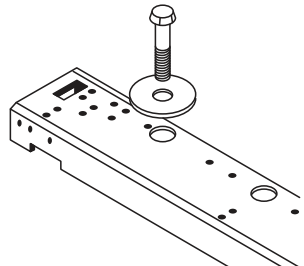
80463-017-01

ENGLISH	SPANISH	FRENCH
<ul style="list-style-type: none"> <li>To maintain Seismic Qualification each individual enclosure must be anchored to wall at all five mounting locations shown above.</li> <li>Refer to the current International Building Code, ASCE/SEI 7, or the National Building Code of Canada for the location-specific values of the 0.2 second spectral value of acceleration (Ss for the U.S. or Sa(0.2) for Canada).</li> <li>Use 3/8 in. Grade 5 bolts and appropriate washers</li> <li>In order to develop full strength of the anchor, torque bolts to the value specified by the anchor manufacturer.</li> <li>Refer to instruction manual for seismic installation instructions.</li> </ul>	<ul style="list-style-type: none"> <li>Para mantener la calificación sísmica, cada gabinete individual deberá ser sujetado a la pared en las cinco ubicaciones de montaje mostradas en la figura de arriba.</li> <li>Consulte el código de construcción internacional actual, ASCE/SEI 7, o bien, el código de construcción nacional de Canadá para obtener los valores de la ubicación específica para la aceleración espectral de 0,2 segundo (Ss para los EUA o Sa(0,2) para Canadá).</li> <li>Utilice tornillos de 10 mm (3/8 pulg) y rondanas.</li> <li>Para obtener la máxima resistencia de los herrajes de sujeción, apriételes en los valores especificados por el fabricante.</li> <li>Consulte el boletín para obtener las instrucciones de instalación antisísmica.</li> </ul>	<ul style="list-style-type: none"> <li>Pour maintenir la qualification sismique, chaque armoire individuelle doit être ancrée au mur aux cinq emplacements de fixation indiqués ci-dessus.</li> <li>Se reporter au code de construction international (International Building Code), ASCE/SEI 7 ou au Code national du bâtiment du Canada en vigueur pour la valeur d'accélération spectrale de réponse à 0,2 seconde (Ss aux É-U. ou Sa(0,2) au Canada) applicable à votre site.</li> <li>Utiliser des boulons grade 5 de 3/8 po et des rondelles appropriées.</li> <li>Pour développer la résistance totale des ancrs, serrer les boulons au couple spécifié par leur fabricant.</li> <li>Se reporter aux directives d'utilisation pour obtenir les directives d'installation anti-séisme.</li> </ul>

Figure 11: Seismic Anchorage Requirements for Floor-Mounted Enclosures, Label 80463-018-01

● Seismic Anchorage Location  
Ubicación de los sujetadores antisísmicos  
Emplacements d'ancrage anti-séisme





#### Seismic Anchorage Requirements

- To maintain Seismic Qualification each individual section must be anchored at the floor locations shown above.
- For seismic hazard areas with an Ss acceleration value in excess of 2.67g (New Madrid Seismic Hazard Area) each individual section must be laterally braced at the top. Refer to the current International Building Code, ASCE/SEI 7, or the National Building Code of Canada for the location-specific values of the 0.2 second spectral value of acceleration (Ss for the U.S. or Sa(0.2) for Canada).
- Use 1/2" or 3/4" SAE Grade 5 bolts (supplied by others) and the appropriate Belleville Spring washers (supplied with the equipment). In order to develop full strength of the anchor, torque bolts to the value specified by the anchor manufacturer.
- Refer to instruction manual for installation instructions.

#### Requisitos de los sujetadores antisísmicos


- Para mantener la calificación sísmica, cada sección individual debe ser sujetada al piso en las ubicaciones que muestra la figura anterior.
- En zonas de riesgo sísmico con un valor de aceleración Ss mayor que 2,67g (zona de riesgo sísmico de Nuevo Madrid), cada sección individual debe ser reforzada por los lados en la parte superior. Consulte el código de construcción internacional actual, ASCE/SEI 7, o bien, el código de construcción nacional de Canadá para obtener los valores de la ubicación específica para la aceleración espectral de 0,2 segundo (Ss para los EUA o Sa(0,2) para Canadá).
- Emplee tornillos de 12 mm (0,5 pulg) o 19 mm (0,75 pulg) SAE grado 5 (provistos por terceros) y roldanas de resorte Belleville apropiadas incluidas con el equipo. Para obtener la máxima resistencia de los herrajes de sujeción, apriételes en los valores especificados por el fabricante.
- Consulte el boletín para obtener las instrucciones de instalación.

#### Exigences d'ancrage anti-séisme

- Pour maintenir la qualification anti-séisme, chaque section doit être ancrée aux emplacements du sol indiqués ci-dessus.
- Une valeur d'accélération Ss supérieure à 2,67 g (zone sismique de New Madrid), chaque section individuelle doit être ancrée latéralement au haut. Se reporter au code de construction international (International Building Code), ASCE/SEI 7 ou au Code national du bâtiment du Canada en vigueur pour la valeur d'accélération spectrale de réponse à 0,2 seconde (Ss aux É-U. ou Sa(0,2) au Canada), applicable à votre site.
- Utiliser des boulons SAE grade 5 de 12 mm (1/2 po) ou 19 mm (3/4 po) (fournis par des tiers) et les rondelles de sûreté Belleville appropriées fournies avec l'appareil. Pour exploiter la résistance totale des ancrs, serrer les boulons au couple spécifié par leur fabricant.
- Se reporter aux directives d'utilisation pour obtenir les directives d'installation

80463-018-01 REV -

Figure 12: Lateral Bracing Requirements for Floor-Mounted Enclosures, Label 80463-019-01



● Seismic Anchorage Location  
Ubicación de los sujetadores antisísmicos  
Emplacements d'ancrage anti-séisme

**Seismic Anchorage Requirements**

- For seismic hazard areas with an  $S_s$  acceleration value in excess of 2.67g (New Madrid Seismic Hazard Area) each individual section must be laterally braced at the top and connected to the building load bearing structural system. Refer to the current International Building Code, ASCE/SEI 7, or the National Building Code of Canada for the location-specific values of the 0.2 second spectral value of acceleration ( $S_s$  for the U.S. or  $S_a(0.2)$  for Canada).
- Remove lifting bracket, after the section enclosure has been installed, and attach lateral brace (supplied by others), re-using bolt and lock washer or user supplied hardware.
- Each section must also be anchored at the base (as shown on the instruction label located on the inside of the bottom located horizontal wire-way cover plate).
- Refer to instruction manual for installation instructions.

**Requisitos de los sujetadores antisísmicos**

- En zonas de riesgo sísmico con un valor de aceleración  $S_s$  mayor que 2,67g (zona de riesgo sísmico de Nuevo Madrid), cada sección individual debe ser reforzada por los lados en la parte superior y conectada al sistema estructural de soporte de carga del edificio. Consulte el código de construcción internacional actual, ASCE/SEI 7, o bien, el código de construcción nacional de Canadá para obtener los valores de la ubicación específica para la aceleración espectral de 0,2 segundo ( $S_s$  para los EUA o  $S_a(0,2)$  para Canadá).
- Retire el soporte de levantamiento después de haber instalado el gabinete de la sección y conecte el soporte lateral (provisto por terceros); vuelva a usar el tornillo y la roldana de sujeción, o bien, los herrajes provistos por el usuario.
- Cada sección debe también ser sujeta a la base como se ilustra en la etiqueta de instrucciones, situada en el interior, en la placa protectora de la canalización de cables horizontal inferior.
- Consulte el boletín para obtener las instrucciones de instalación.

**Exigences d'ancrage anti-séisme**

- Pour les régions avec risque de séisme ayant une valeur d'accélération  $S_s$  supérieure à 2,67 g (zone sismique de New Madrid), chaque section individuelle doit être ancrée latéralement au haut et raccordée au système structural portant la charge de l'immeuble. Se reporter au code de construction international (International Building Code), ASCE/SEI 7 ou au Code national du bâtiment du Canada en vigueur pour la valeur d'accélération spectrale de réponse à 0,2 seconde ( $S_s$  aux É-U. ou  $S_a(0,2)$  au Canada), applicable à votre site.
- Enlever le support de levage après avoir installé l'armoire de la section et attacher l'ancre latérale (fournie par des tiers) réutilisant le boulon et la rondelle de sûreté ou à l'aide de la quincaillerie fournie par l'utilisateur.
- Chaque section doit être également ancrée à la base (comme indiqué sur l'étiquette de directives placée à l'intérieur de la plaque de recouvrement de la goulotte guide-fils verticale inférieure).
- Se reporter aux directives d'utilisation pour obtenir les directives d'installation

80463-019-01 REV -

## Weights

Table 11: Enclosed 22 Controller Ratings and Weights (B05)

Controller Rating			Weight lb (kg)	Enclosure Size Reference
40 °C (104 °F) hp	UL Type 3R or 50 °C (122 °F) hp	V		
3–10	3–10	208	63 (28)	A
5–15	5–10	230		
10–30	10–25	460		
15–40	15–30	575		
15–25	10–20	208	68 (30)	
20–30	15–25	230		
40–60	30–50	460		
50–75	40–60	575		
30–50	25–40	208	98 (44)	B
40–60	30–50	230		
75–125	60–100	460		
100–150	75–125	575		

**Table 11: Enclosed 22 Controller Ratings and Weights (B05)**

Controller Rating			Weight lb (kg)	Enclosure Size Reference
40 °C (104 °F) hp	UL Type 3R or 50 °C (122 °F) hp	V		
60–125	50–100	208	200 (91)	D
75–150	60–125	230		
150–300	125–250	460		
200–300	150–300	575		
150	125	208	492 (223)	E
200	150	230		
350–400	300–350	460		
400–500	350–400	575		

**Table 12: Enclosed 22 Controller Ratings and Weights<sup>1</sup> (S05, N05, R05, Y05)**

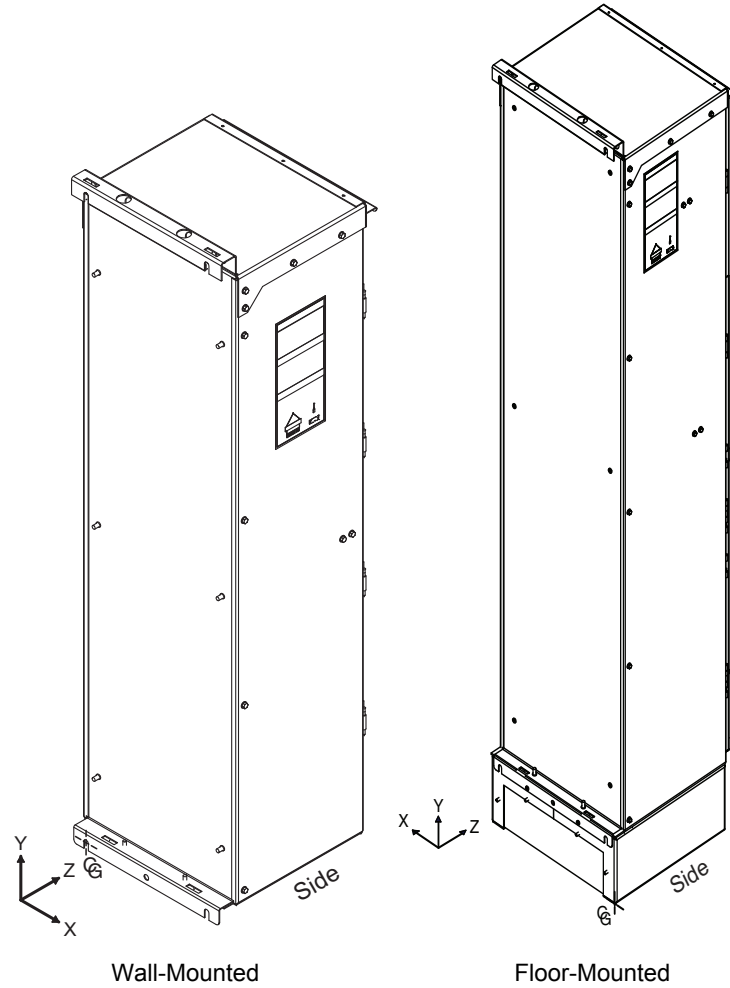
Controller Rating			Weight lb (kg)	Enclosure Size Reference
40 °C (104 °F) hp	UL Type 3R or 50 °C (122 °F) hp	V		
3–10	3–10	208	125 (57)	B
5–15	5–10	230		
10–30	10–25	460		
15–40	15–30	575		
15–25	15–20	208	160 (73)	C
20–30	15–25	230		
40–60	30–50	460		
50–75	40–60	575		
30–50	25–40	208	205 (93)	D
40–60	30–50	230		
75–125	60–100	460		
100–150	75–125	575		
60–125	50–100	208	830 (376)	F
75–150	60–125	230		
150–300	125–250	460		
200–300	150–300	575		
150	125	208	976 (443)	G
200	150	230		
350–400	300–350	460		
400–500	350–400	575		

<sup>1</sup> The weight is supplied for power circuit Y05 (integral bypass) and may differ for different power options and miscellaneous options selected.

## Center of Gravity

Center of gravity information is provided for reference in mounting and for consideration in structural analysis. The information is provided with reference to the lower left-hand (wall-mounted) or right-hand (floor-mounted) corner of the controllers. See Figure 13.

**Figure 13: Center of Gravity**



**Table 13: Center of Gravity (B05)**

Controller Rating			X in. (mm)	Y in. (mm)	Z in. (mm)	Enclosure Size Reference
40 °C (104 °F) hp	UL Type 3R or 50 °C (122 °F) hp	V				
3–25	15–20	208	4.6 (116.8)	15.4 (391.2)	6.7 (170.2)	A
5–30	15–25	230				
10–60	30–50	460				
15–75	40–60	575				
30–50	25–40	208	4.9 (124.5)	26.6 (675.6)	7.8 (177.8)	B
40–60	30–50	230				
75–125	60–100	460				
100–150	75–125	575				
60–125	50–100	208	5.9 (149.9)	35.0 (889.0)	8.1 (205.7)	D
75–150	60–125	230				
150–300	125–250	460				
200–300	150–300	575				
150	125	208	10.8 (274.3)	54.8 (1391.9)	9.8 (228.6)	E
200	150	230				
350–400	300–350	460				
400–500	350–400	575				

**Table 14: Center of Gravity<sup>1</sup> (S05, N05, R05, Y05)**

Controller Rating			X in. (mm)	Y in. (mm)	Z in. (mm)	Enclosure Size Reference
40 °C (104 °F) hp	UL Type 3R or 50 °C (122 °F) hp	V				
3–10	3–10	208	5.6 (142.2)	24.6 (624.8)	7.6 (193.0)	B
5–15	5–10	230				
10–30	10–25	460				
15–40	15–30	575				
15–25	15–20	208	5.8 (147.3)	26.7 (678.2)	7.2 (182.9)	C
20–30	15–25	230				
40–60	30–50	460				
50–75	40–60	575				
30–50	25–40	208	6.5 (165.1)	33.3 (845.8)	8.0 (203.2)	D
40–60	30–50	230				
75–125	60–100	460				
100–150	75–125	575				
60–125	50–100	208	13.4 (340.4)	53.8 (1366.5)	8.9 (226.1)	F
75–150	60–125	230				
150–300	125–250	460				
200–300	150–300	575				
150	125	208	15.9 (403.9)	52.7 (1338.6)	10.2 (259.1)	G
200	150	230				
350–400	300–350	460				
400–500	350–400	575				

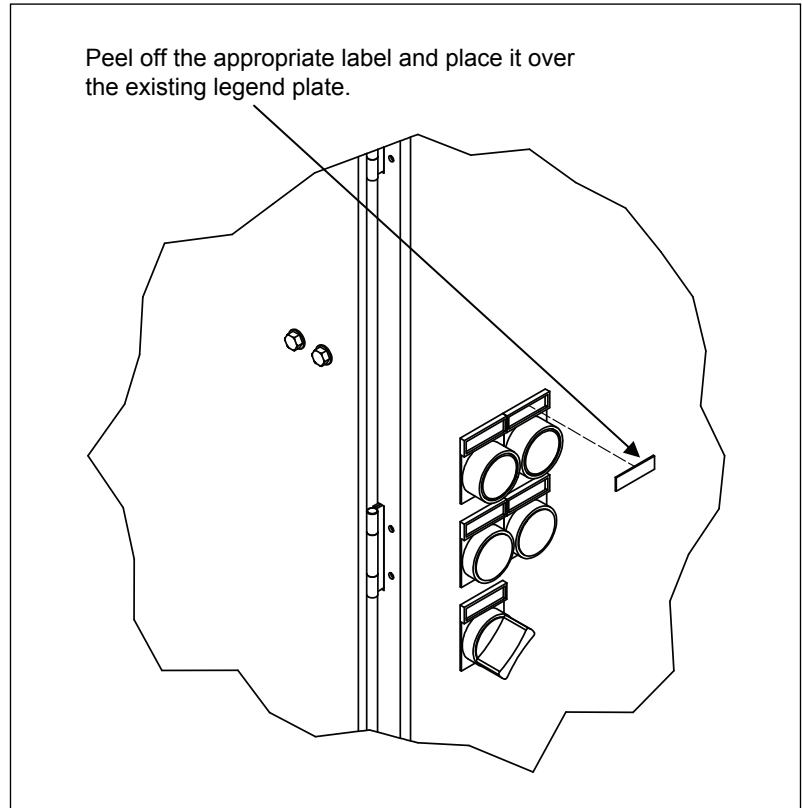
<sup>1</sup> The center of gravity measurements are provided for power circuit Y05 (integral bypass) and may differ for different power options and miscellaneous options selected.

## Trilingual Legend Plate Kit

A trilingual legend plate kit is included in the Enclosed 22 instruction package. The kit is for applications that require operator and light legend plates displayed in Spanish or French.

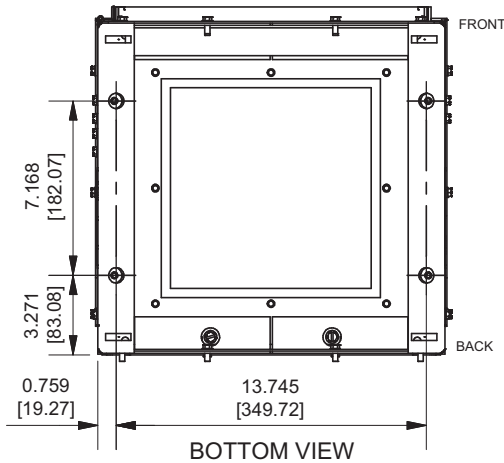
Select the appropriate label from the kit and place it over the existing legend plate as illustrated in Figure 14.

**Figure 14: Label Installation**



## Installing the Optional Floor-Mounting Kit (MOD A10)

Figure 15: Anchor Mounting Holes for Floor-Mounting Kit (in. [mm])



The optional floor-mounting kit is available for all power options in size D enclosures. Refer to Tables 11 and 12 on pages 34 and 35 for applicable power circuit, enclosure type, and horsepower range.

### ⚠ WARNING

#### TOPPLING AND CRUSHING HAZARD

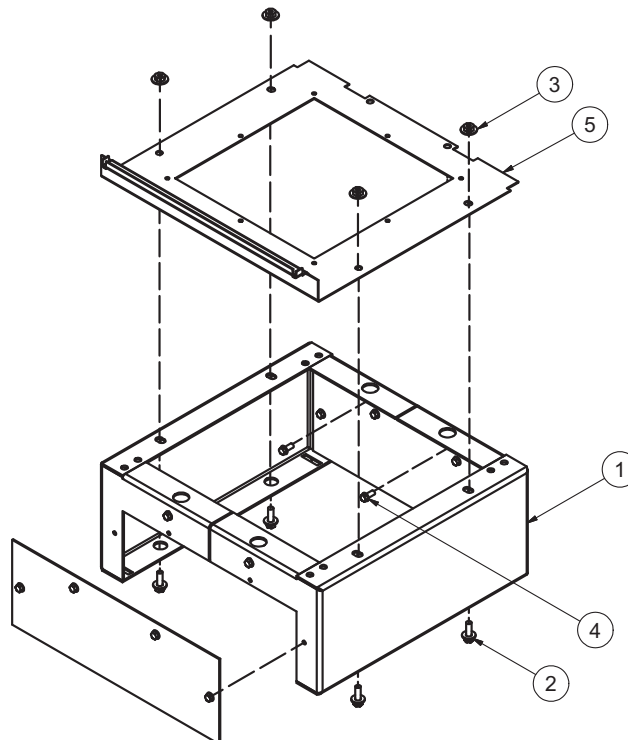
- Follow all recommended practices when anchoring and securing seismically rated equipment.
- Replace all covers and secure doors before placing equipment into service.

**Failure to follow these instructions can result in death, serious injury, or equipment damage.**

The kit comes with the Enclosed 22 controller in a separate package and includes the hardware required for mounting the assembly. To install the kit (refer to Figure 16 for numbered items):

1. Remove the lag screws securing the enclosure to the shipping pallet before attaching the floor-mounting kit.
2. Remove the four screws (2) attached to the enclosure bottom plate (5).
3. Using the supplied nuts (3), attach the floor kit (1) to the enclosure bottom plate (5). Open the enclosure door and tighten the bolted assembly to 60–72 lb-in (6.8–8.1 N•m).
4. Attach two screws (4) to the bottom flange of the enclosure. Tighten the screws to 40–48 lb-in (4.5–5.4 N•m).
5. Close the enclosure door. The floor-mounting kit is installed and the Enclosed 22 controller is ready for installation.

Figure 16: Floor-Mounting Kit



## Dimensions

Figure 17: Size A Enclosure

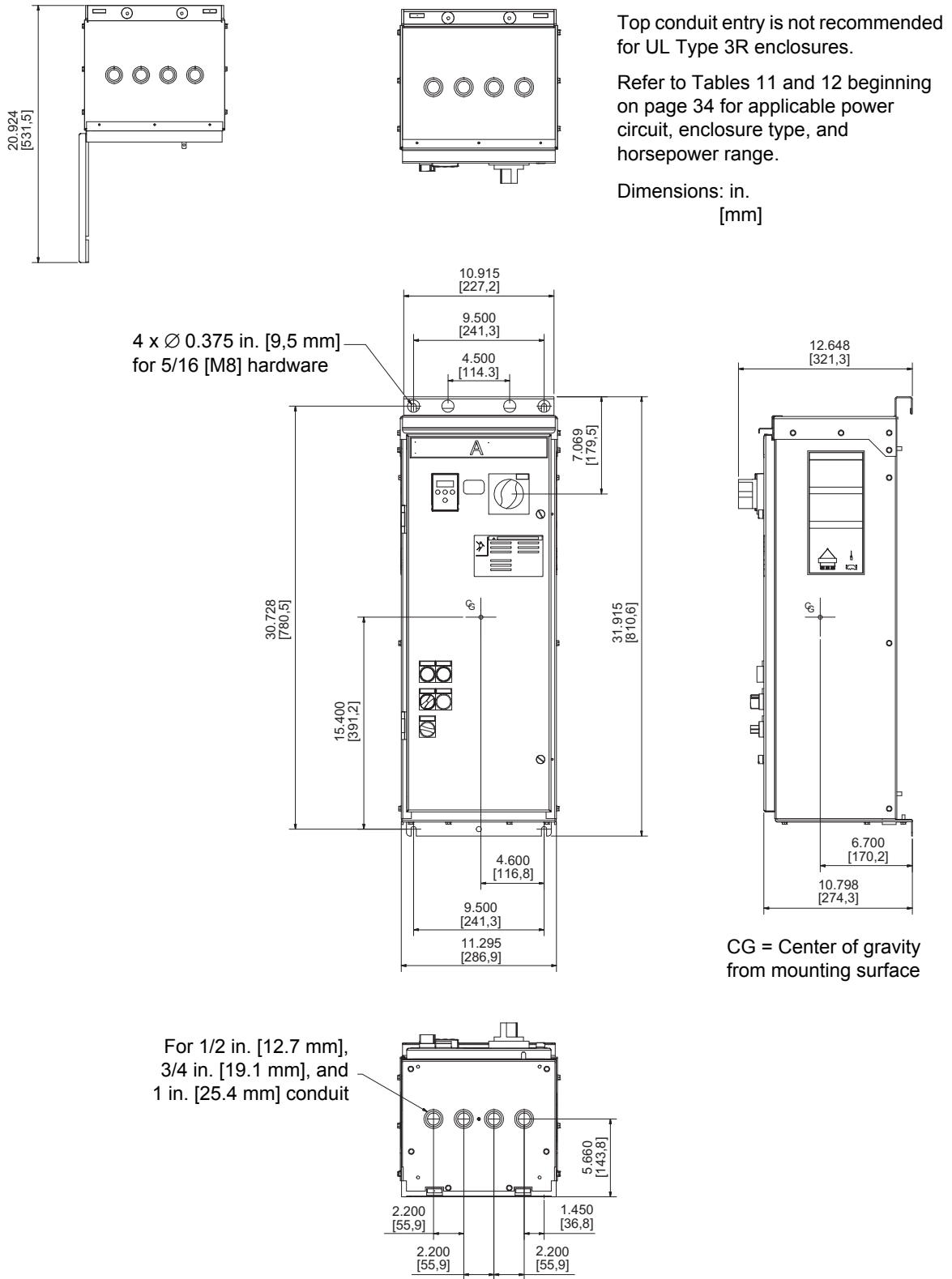




Figure 18: Size B Enclosure

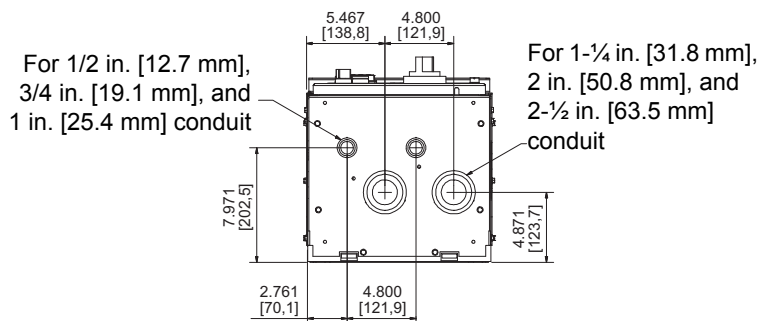
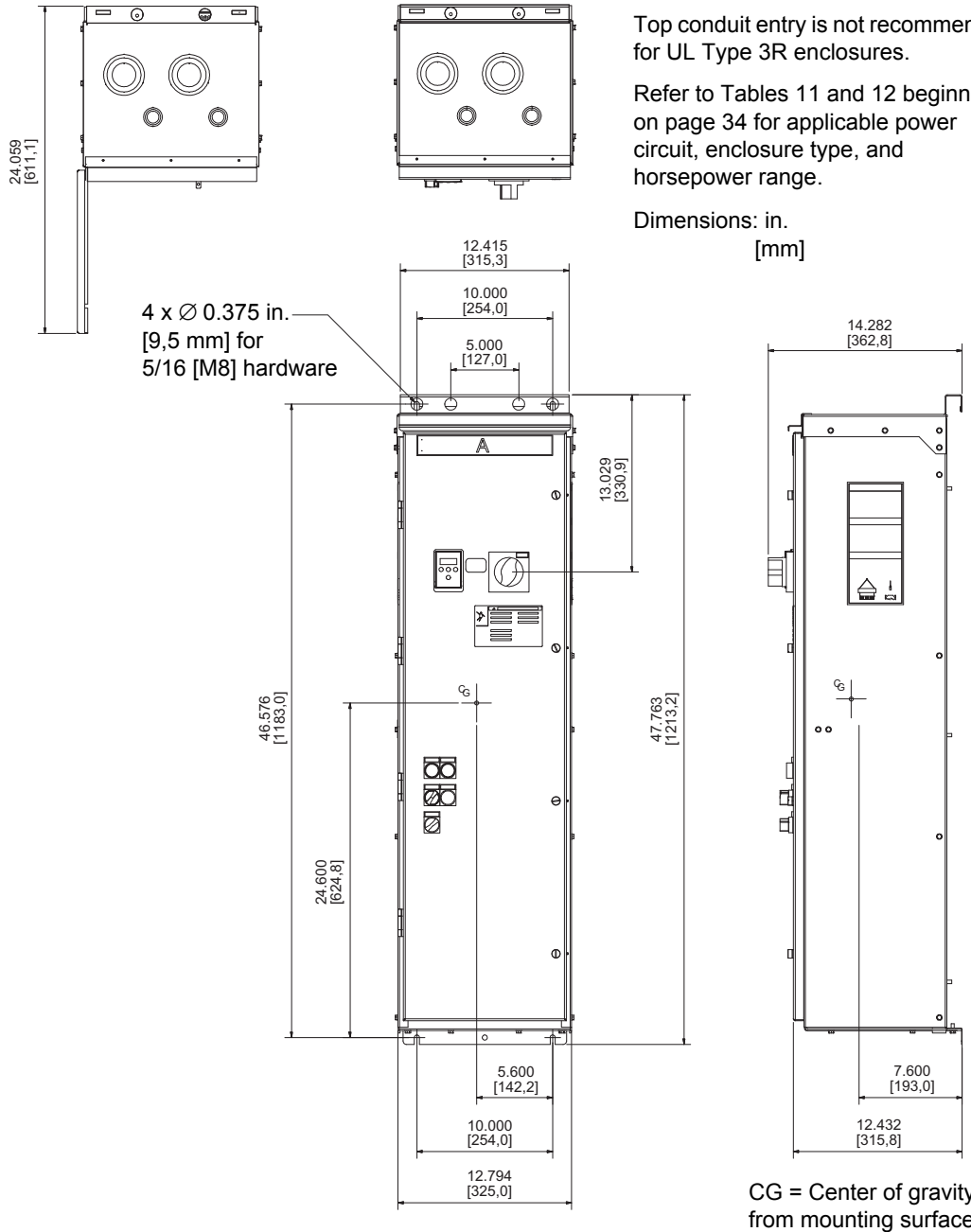


Figure 19: Size C Enclosure

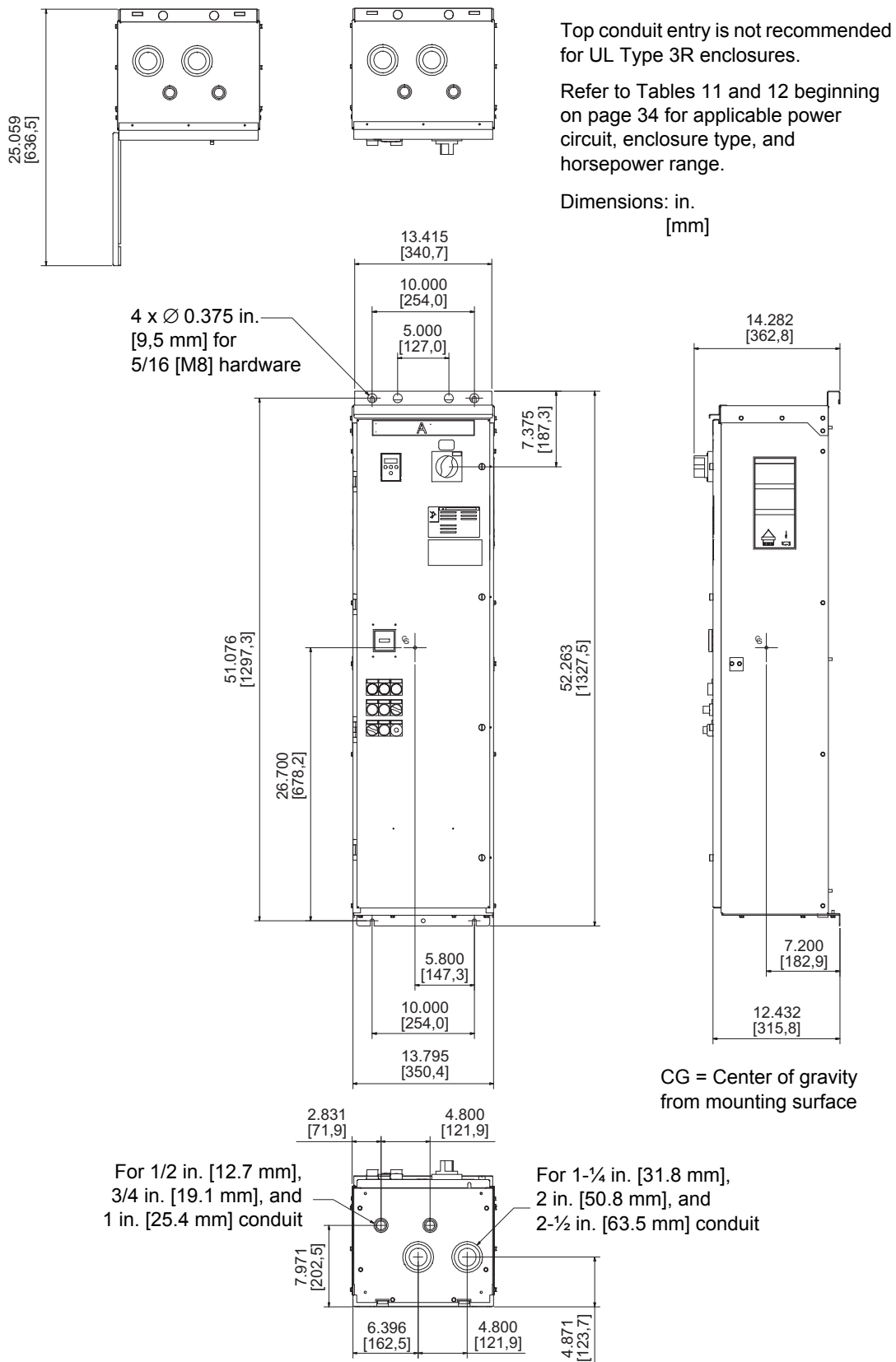


Figure 20: Size D Enclosure

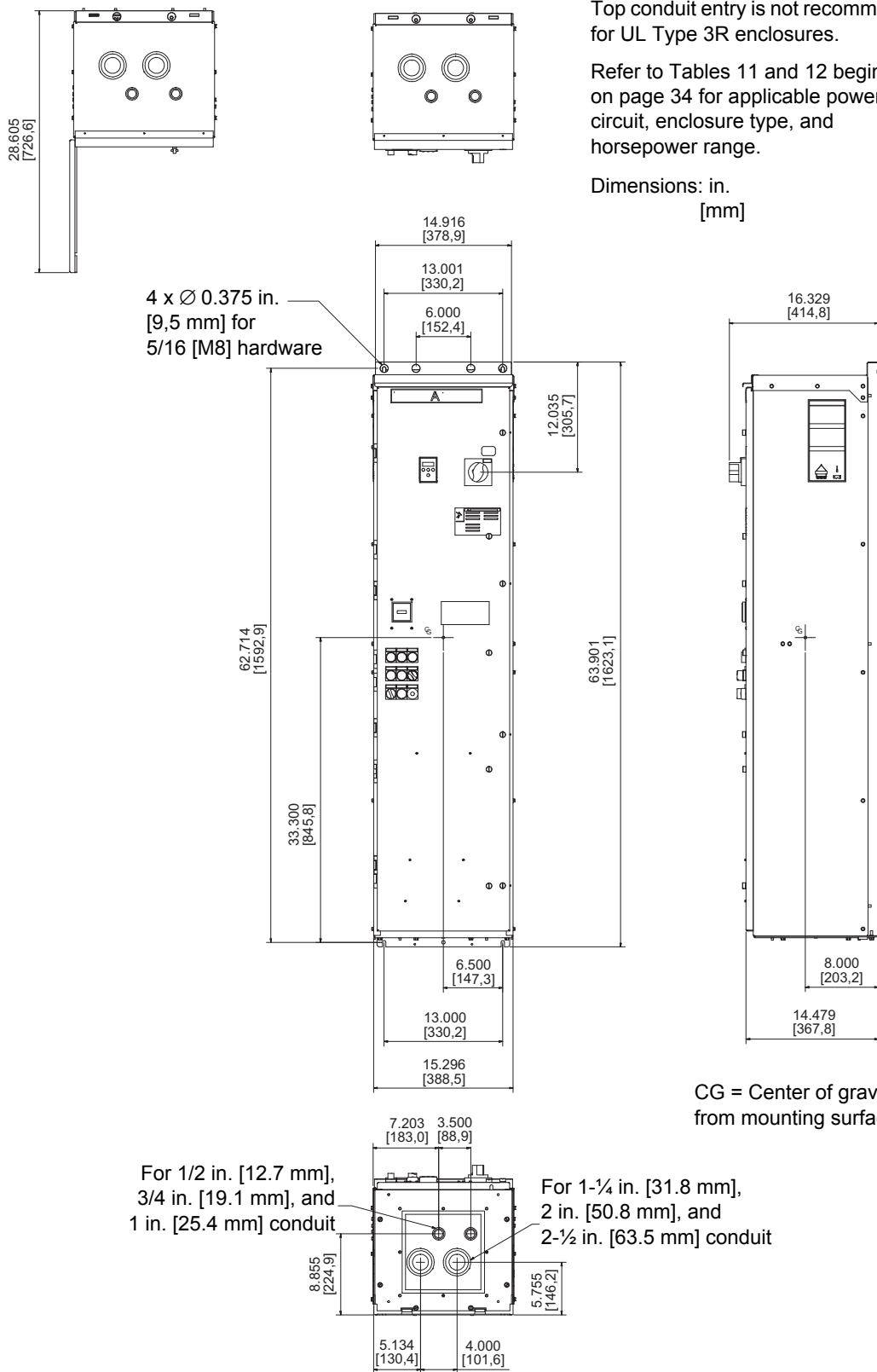


Figure 21: Size D Enclosure with Floor-Mounting Kit

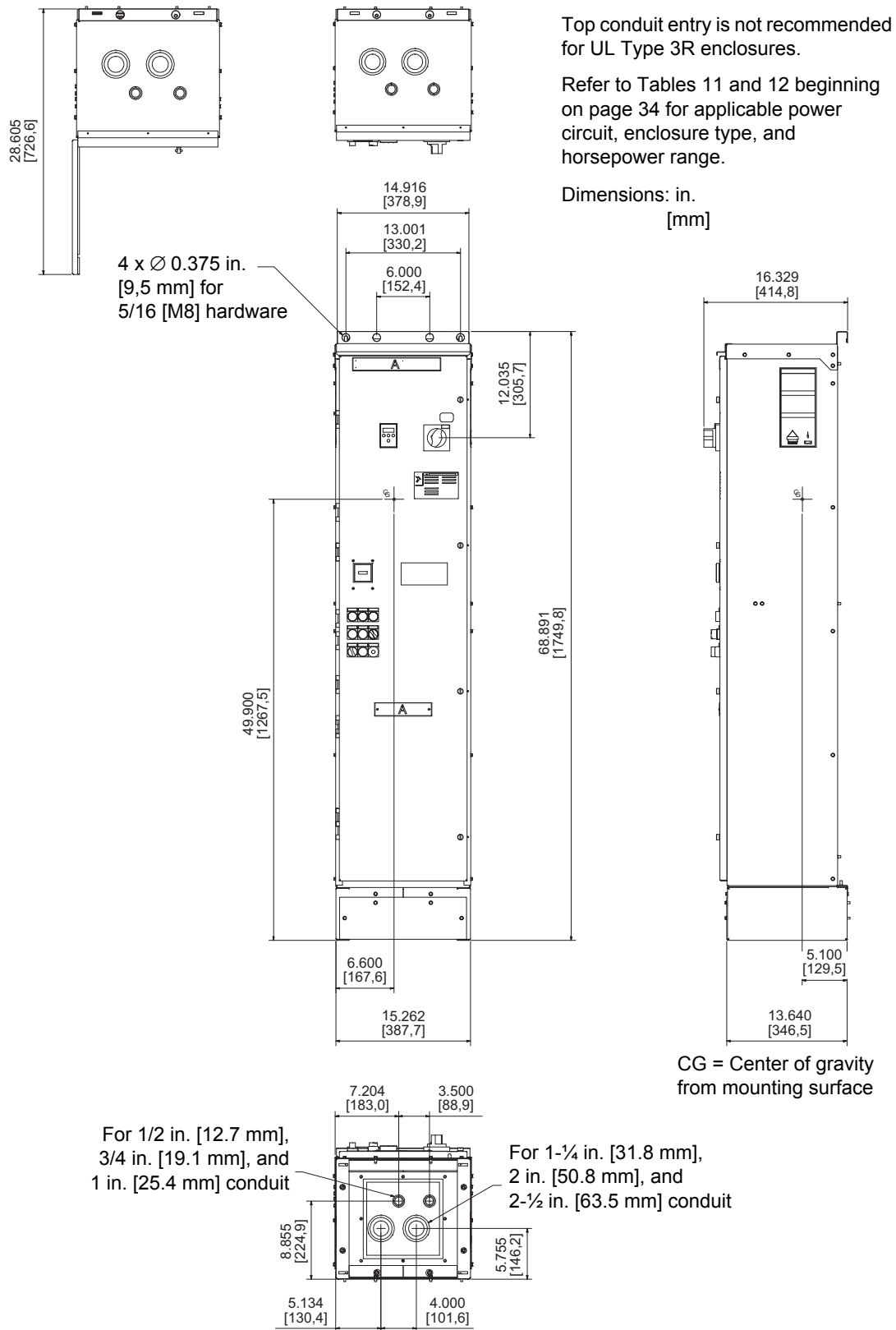
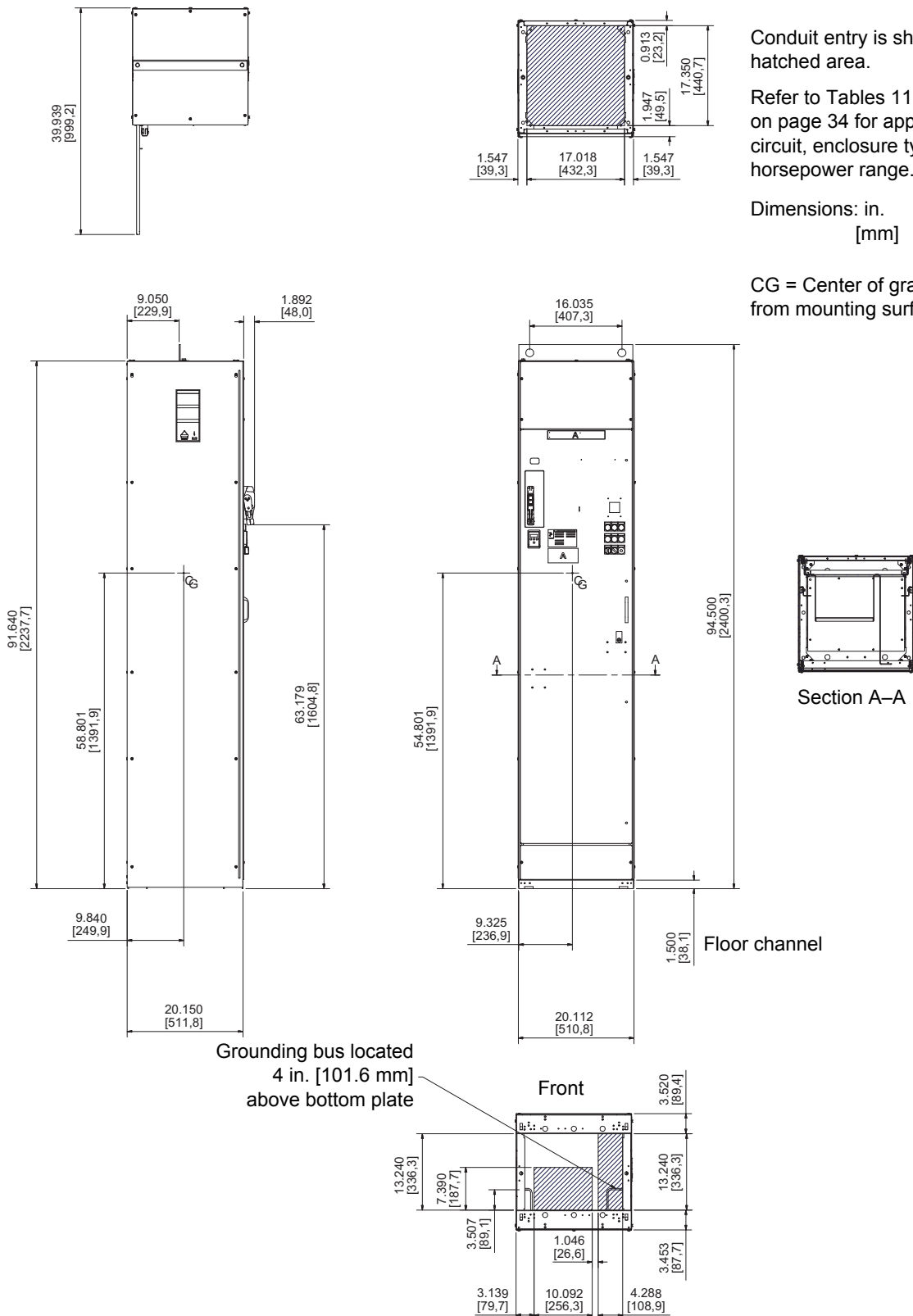


Figure 22: Size E Enclosure, Type 1 and 12



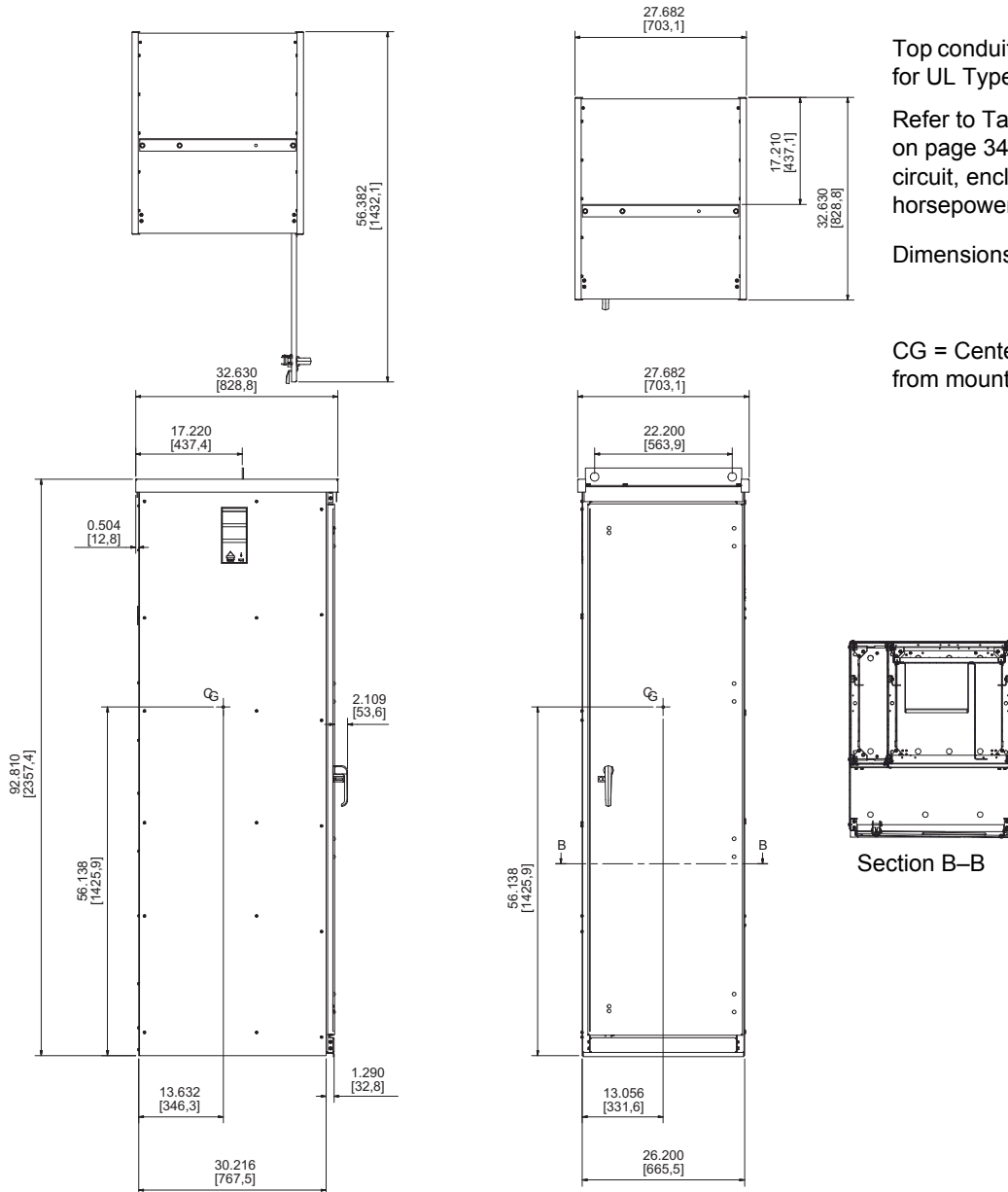
Conduit entry is shown as cross-hatched area.

Refer to Tables 11 and 12 beginning on page 34 for applicable power circuit, enclosure type, and horsepower range.

Dimensions: in.  
[mm]

CG = Center of gravity  
from mounting surface

Figure 23: Size E Enclosure, Type 3R



Top conduit entry is not recommended for UL Type 3R enclosures.

Refer to Tables 11 and 12 beginning on page 34 for applicable power circuit, enclosure type, and horsepower range.

Dimensions: in.  
 [mm]

CG = Center of gravity from mounting surface

Conduit entry is shown as cross-hatched area.

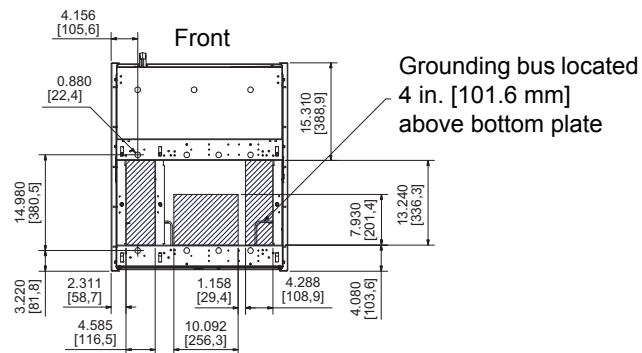
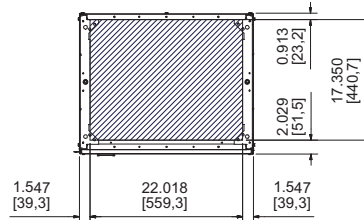
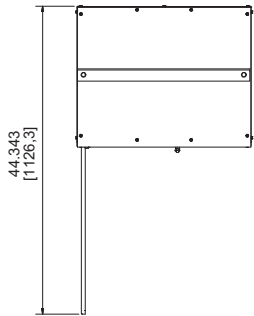


Figure 24: Size F Enclosure, Type 1 and 12

ENGLISH

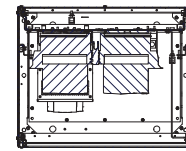
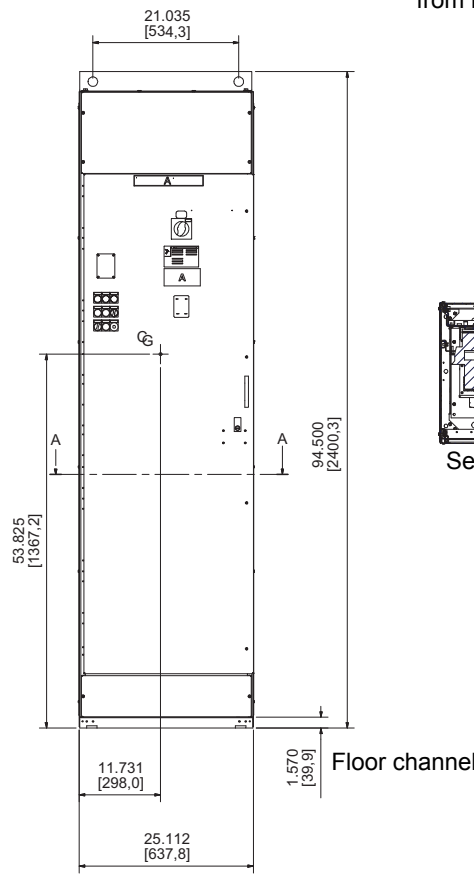
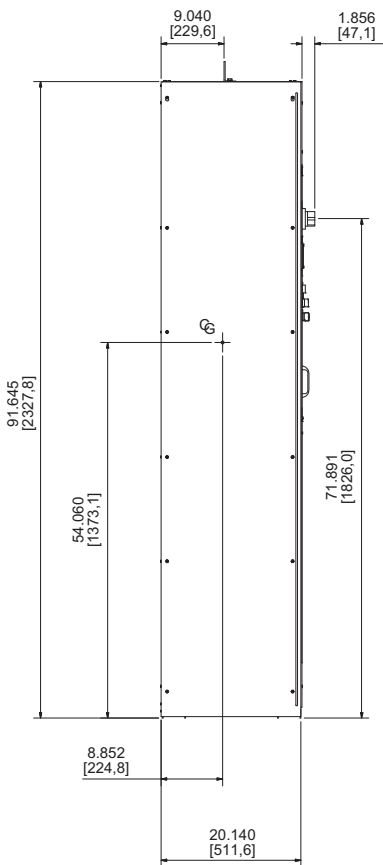


Conduit entry is shown as cross-hatched area.

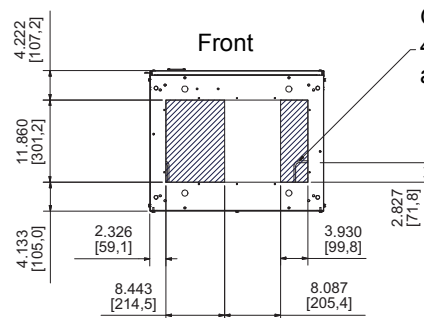
Refer to Tables 11 and 12 beginning on page 34 for applicable power circuit, enclosure type, and horsepower range.

Dimensions: in.  
[mm]

CG = Center of gravity  
from mounting surface



Section A-A



Grounding bus located  
4 in. [101.6 mm]  
above bottom plate

Figure 25: Size F Enclosure, Type 3R

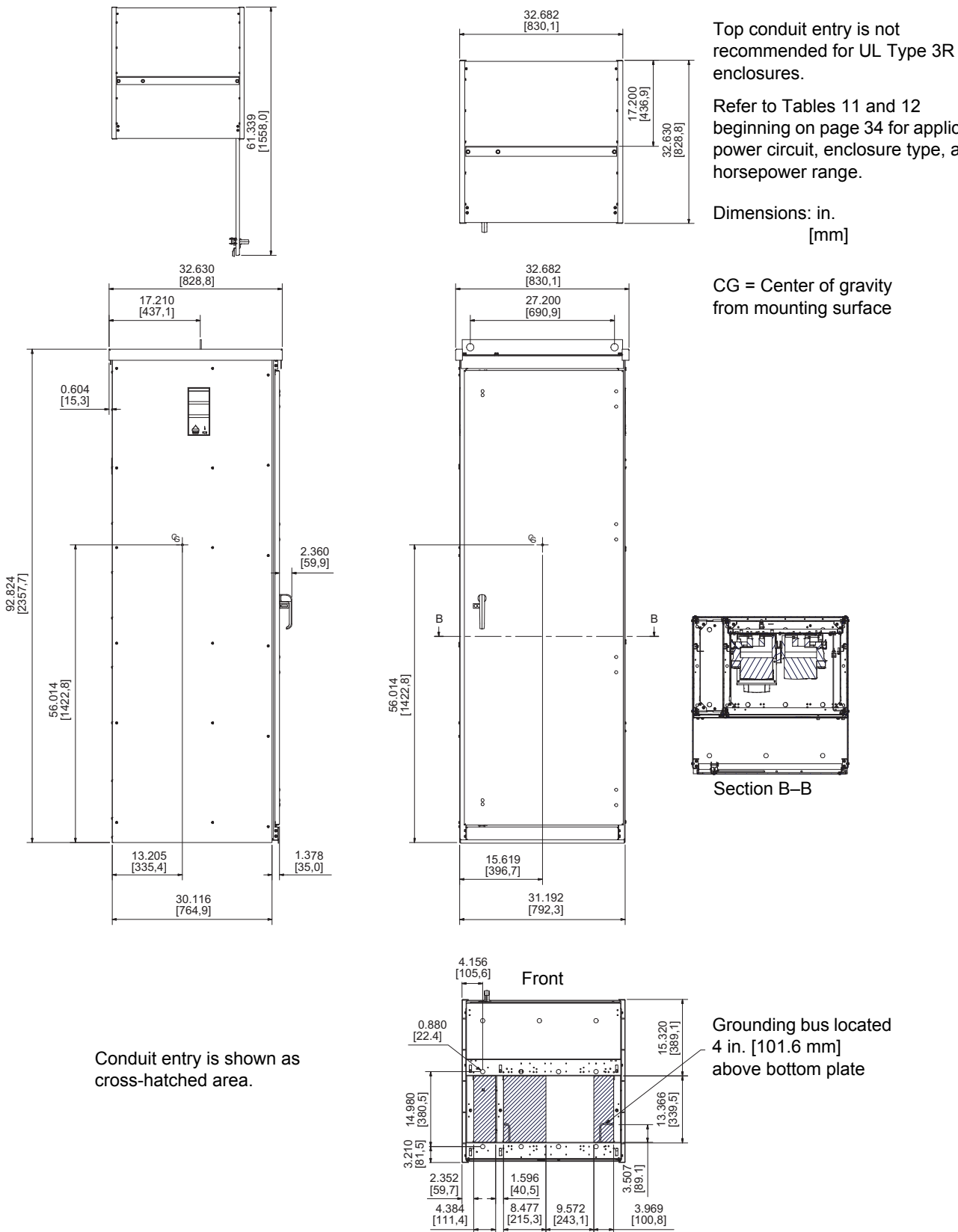
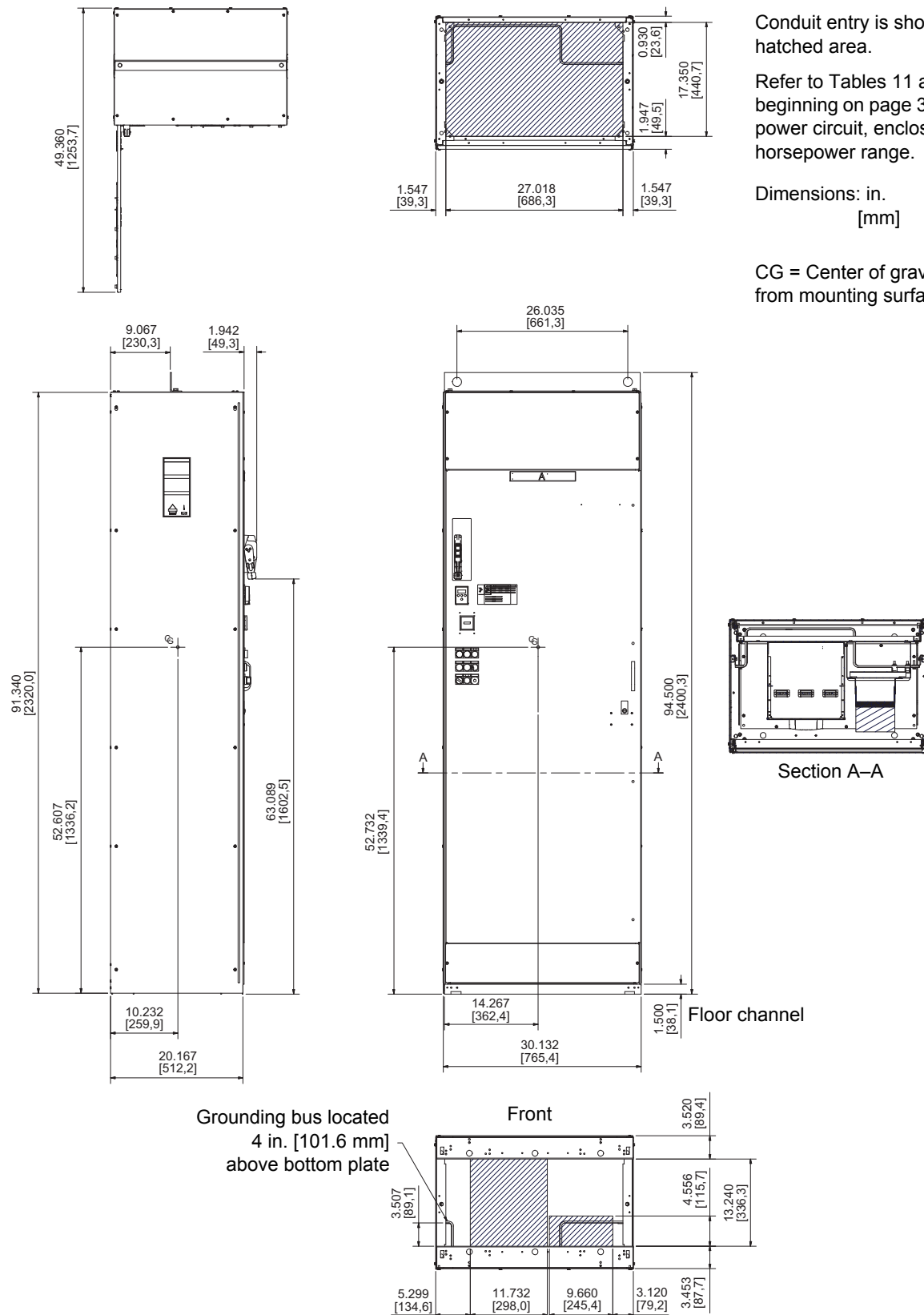


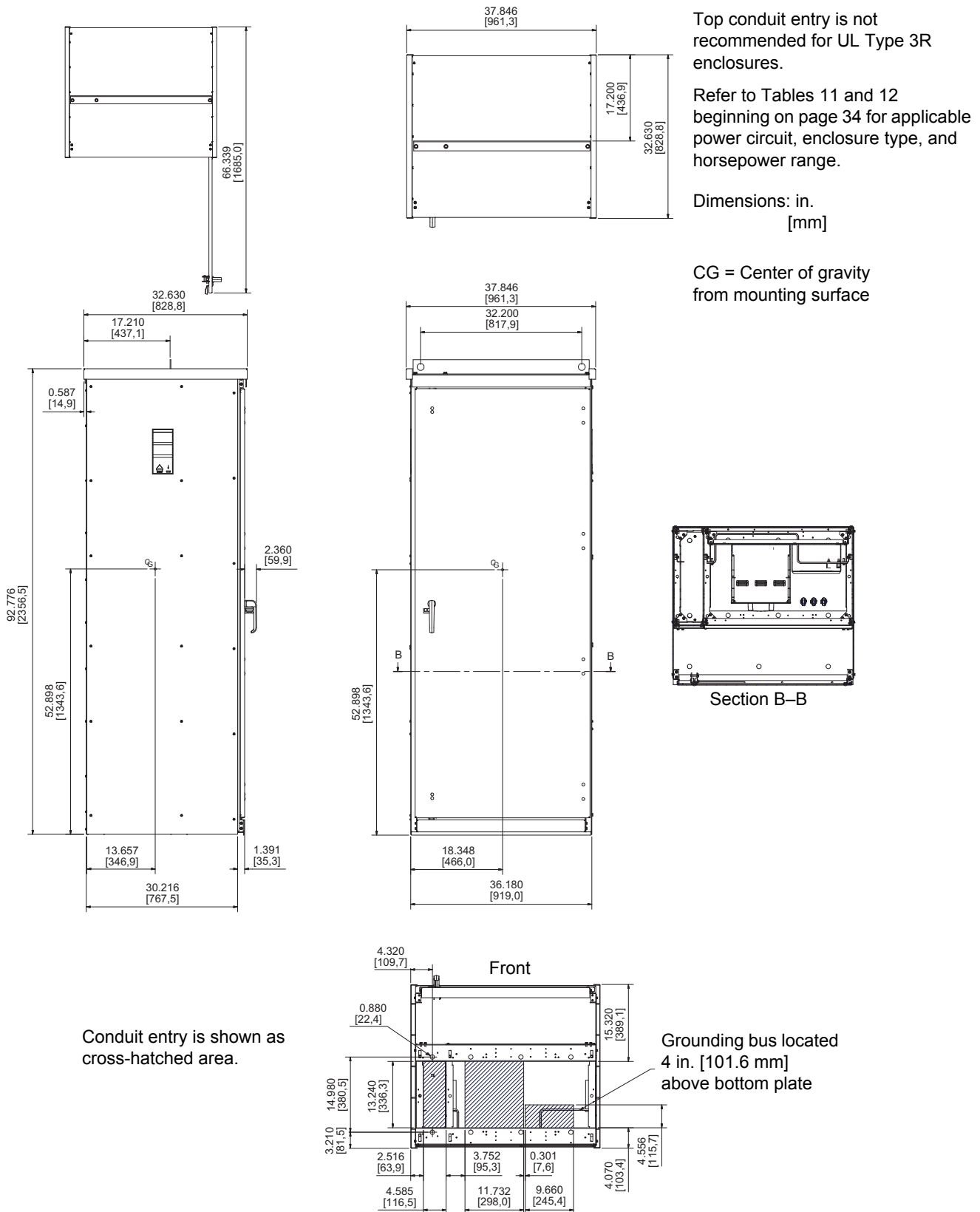


Figure 26: Size G Enclosure, Type 1 and 12



ENGLISH

Figure 27: Size G Enclosure, Type 3R



## Electrical Installation

### **⚠ DANGER**

#### **HAZARD OF ELECTRIC SHOCK, EXPLOSION, OR ARC FLASH**

- Turn off all power (main and remote) before installing the equipment.
- Read and understand the precautions in “Before You Begin” on page 8 before performing the procedures in this section.

**Failure to follow these instructions will result in death or serious injury.**

## General Wiring Practices

Good wiring practice requires the separation of control circuit wiring from all power wiring. **Do not run power and/or control or multiple power wiring in the same conduit.** This separation reduces the possibility of coupling electrical transients from power circuits into control circuits or from motor power wiring into other power circuits.

### **⚠ CAUTION**

#### **IMPROPER WIRING HAZARD**

Follow the wiring practices described in this document in addition to those already required by the National Electrical Code and local codes.

**Failure to follow these instructions can result in injury or equipment damage.**

When wiring the Enclosed 22 controller:

- Use the knockouts identified in Figures 17–21, or punch conduit holes in the locations specified in Figures 22–27 for control and power wiring.
- Use metallic conduit for all controller wiring. Do not run control and power wiring in the same conduit.
- Separate metallic conduits carrying power wiring or low-level control wiring by at least 3 inches (76 mm).
- Separate existing, non-metallic conduits or cable trays used to carry power wiring from metallic conduit carrying low-level control wiring by at least 12 inches (305 mm).
- Whenever power and control wiring cross, the metallic conduits and non-metallic conduits or trays must cross at right angles.
- Use water-tight rated conduit hubs to make connections between the conduit and the UL Type 3R enclosures. Conduit connections through the top of the enclosure are not recommended.

## Input Wiring

Size the ampacity of the input power conductors according to the National Electrical Code (U.S. and Mexico) or the Canadian Electrical Code (Canada) and applicable local codes based on the motor full load current.

Connect the mains power conductors to terminals L1, L2, and L3 at the top of the circuit breaker.

## Grounding

Ground the Enclosed 22 controller according to the National Electrical Code (NEC) or Canadian Electrical Code (CEC) and all local codes. To ground the controller:

- Connect a copper wire from the grounding bar terminal to the power system ground.
- Verify that the resistance to ground is 1  $\Omega$  or less. Improper grounding causes intermittent and unreliable operation.

### **⚠ DANGER**

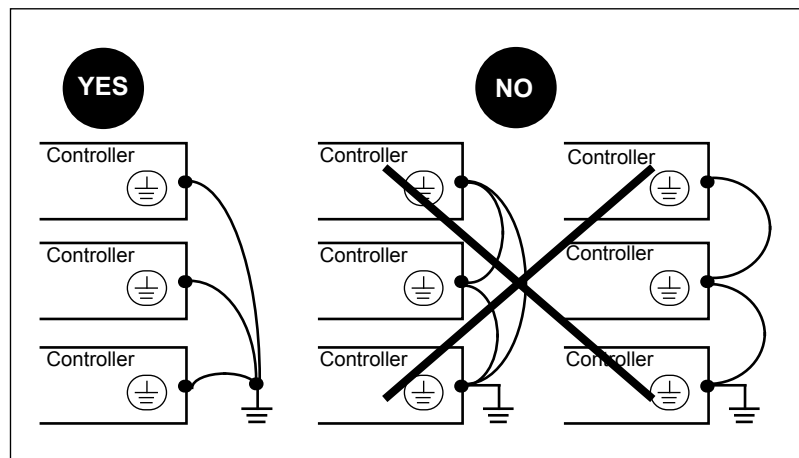
#### **HAZARD OF ELECTRIC SHOCK, EXPLOSION, OR ARC FLASH**

- Ground equipment using the provided grounding connection point as shown in Figures 33 to 37 (pages 59 to 63). The controller panel must be properly grounded before power is applied.
- Do not use metallic conduit as a grounding conductor.

**Failure to follow these instructions will result in death or serious injury.**

Ground multiple controllers as shown in Figure 28. Use one grounding conductor per device. Do not loop grounding conductors or install them in series.

**Figure 28: Grounding Multiple Controllers**



## Output Wiring

Size the ampacity of motor power conductors according to the motor full load current, NEC or CEC, and applicable local codes.

- Depending on the control circuit selected, connect the motor conductors to terminals T1, T2, and T3 at the bottom of the soft starter, overload relay, or distribution block.
- Connect the motor ground to the grounding bar provided. See Figures 33 to 37 (pages 59 to 63).
- Do not use the Enclosed 22 controller in applications where extremely long output cables are required. Maximum output cable length for standard duty motors is 1300 ft. (400 m). For applications exceeding this cable length, consult the your local Schneider Electric field sales representative.

## Wire Routing and Interconnection

### Wire Class

The Wire Class describes the compatibility of the field wiring terminal with the conductor material and insulation system. When used in conjunction with the required conductor current rating and the controller ambient temperature rating, the Wire Class forms the basis for selecting a conductor size that limits the temperature on the conductor insulation at the field wiring terminal to acceptable limits. Conductors with operating temperatures exceeding those given by the Wire Class can be used, but the conductor size must be selected based on the Wire Class limits.

### EMI Class

The EMI (electromagnetic interference) Class categorizes the electromagnetic properties of the voltages and currents present. The six EMI Class categories determine proper wiring methods and physical segregation. See Figures 29–32 on pages 54–57 and Table 15 on page 58.

#### Quiet Wiring 1 (QW1)

*High-susceptibility analog and digital control signals.* Signals falling under the classification of QW1 include digital communication/network circuits, controller analog I/O and analog process signals.

#### Quiet Wiring 2 (QW2)

*Medium-susceptibility analog and digital control signals.* Signals falling under the classification of QW2 include 24 Vdc and 24 Vac control circuits.

#### Standard Wiring 1 (SW1)

*Low-Susceptibility control or power circuits rated less than 600 Vac (250 Vdc) and less than 15 A* (voltage and current spectra are generally contained within 0.05–9 kHz). Signals falling under the classification of SW1 include 120 Vac control circuits.

#### Standard Wiring 2 (SW2)

*Power circuits rated greater than 15 A* (voltage and current spectra are generally contained with 0.05–9 kHz). Signals falling under the classification of SW2 include line power to controllers.

#### Standard Wiring 3 (SW3)

Reserved.

#### Pulse Wiring 1 (PW1)

*Control or power circuits whose voltage or current spectra significantly exceed 9 kHz.* Signals falling under the classification of PW1 include motor and dynamic braking circuits fed from PWM (pulse width modulation) power converters.

### Voltage Class

The Voltage Class groups the voltages present into recognized conductor insulation categories (30, 150, 300, and 600 V) for selection of conductor insulation voltage rating and physical segregation.

Figure 29: Power Circuit B05 Wire Routing: EMI Class Groups

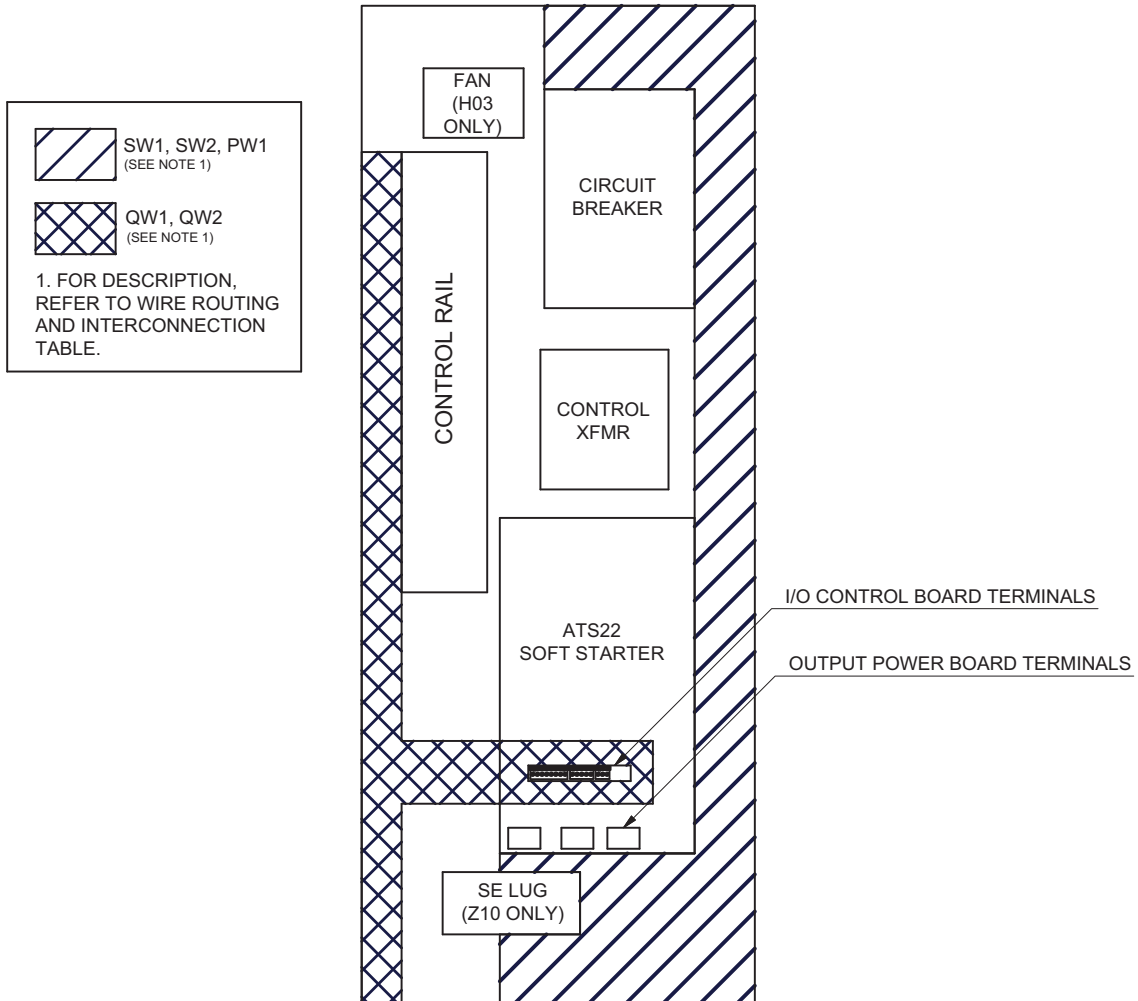


Figure 30: Power Circuit B05 Wire Routing: EMI Class Groups

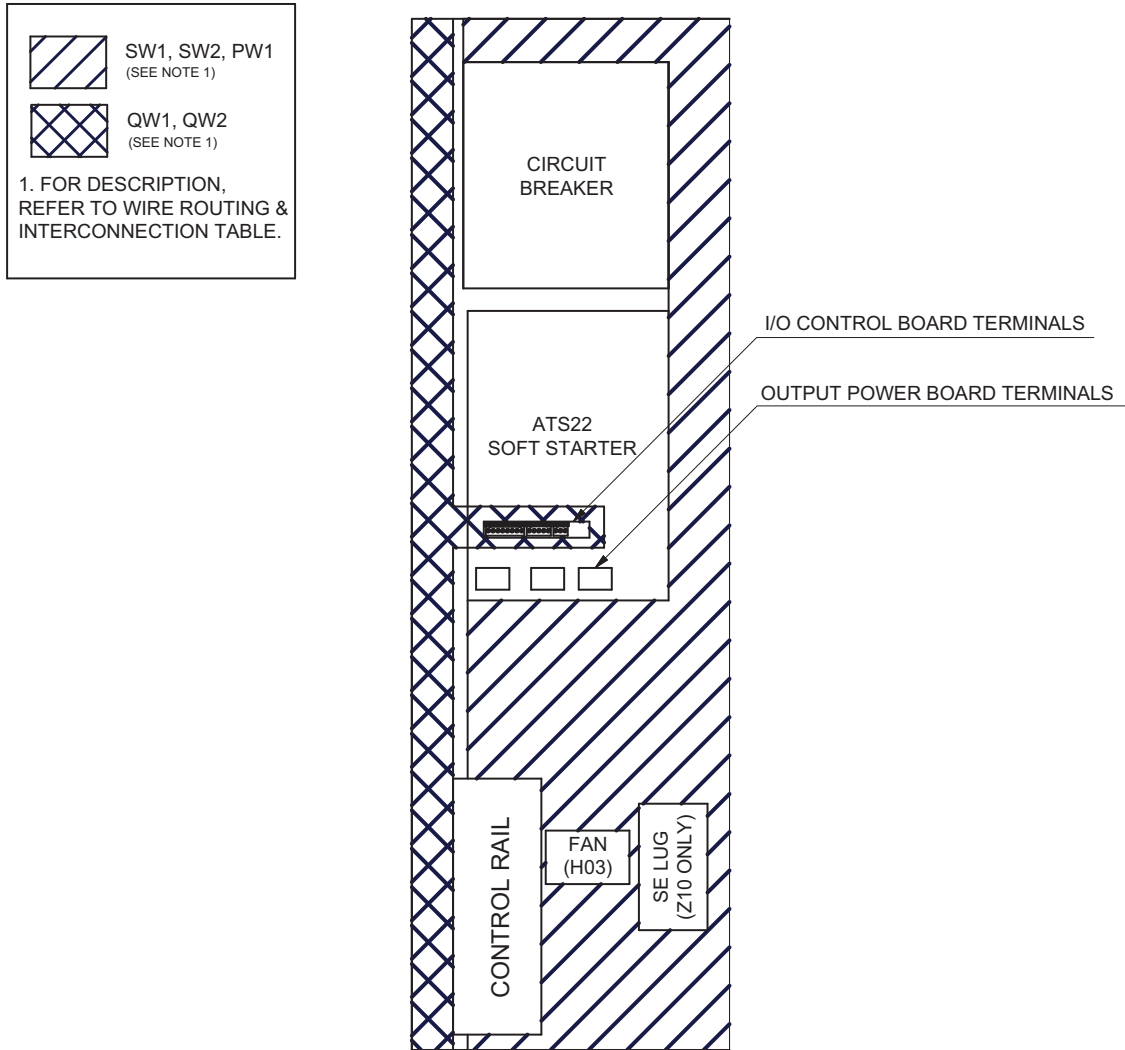


Figure 31: Power Circuit S05, N05, R05 and Y05 Wire Routing: EMI Class Groups

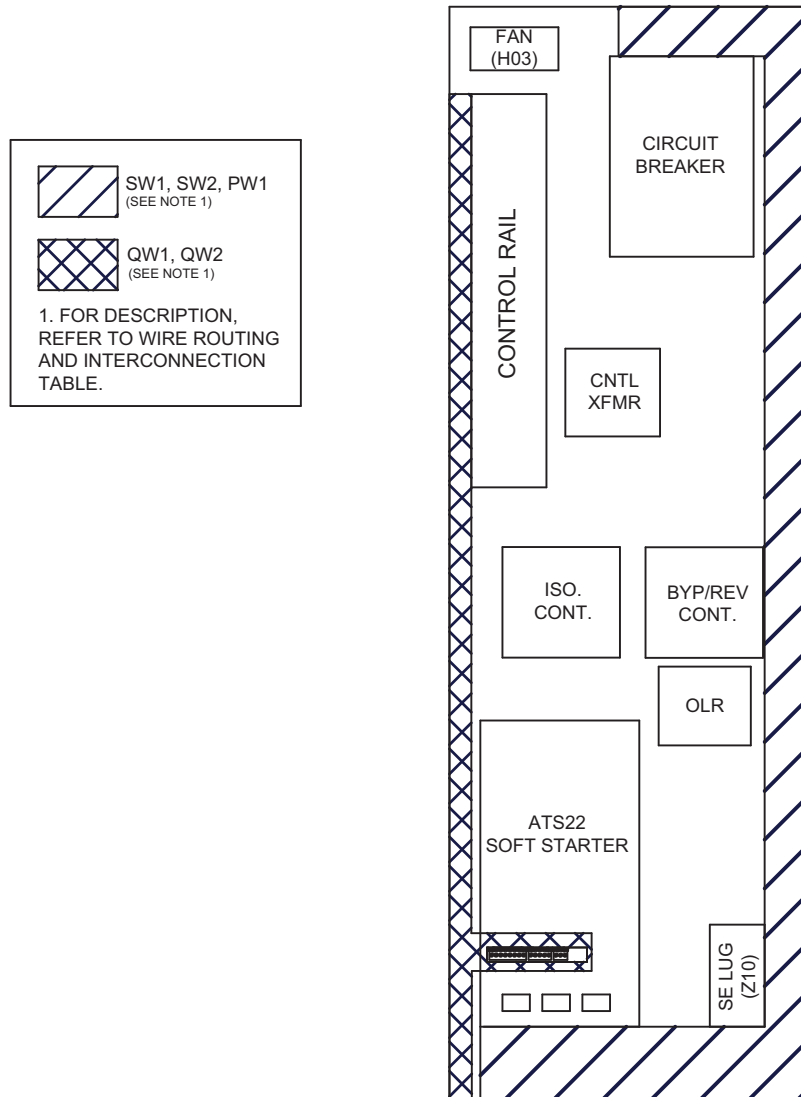
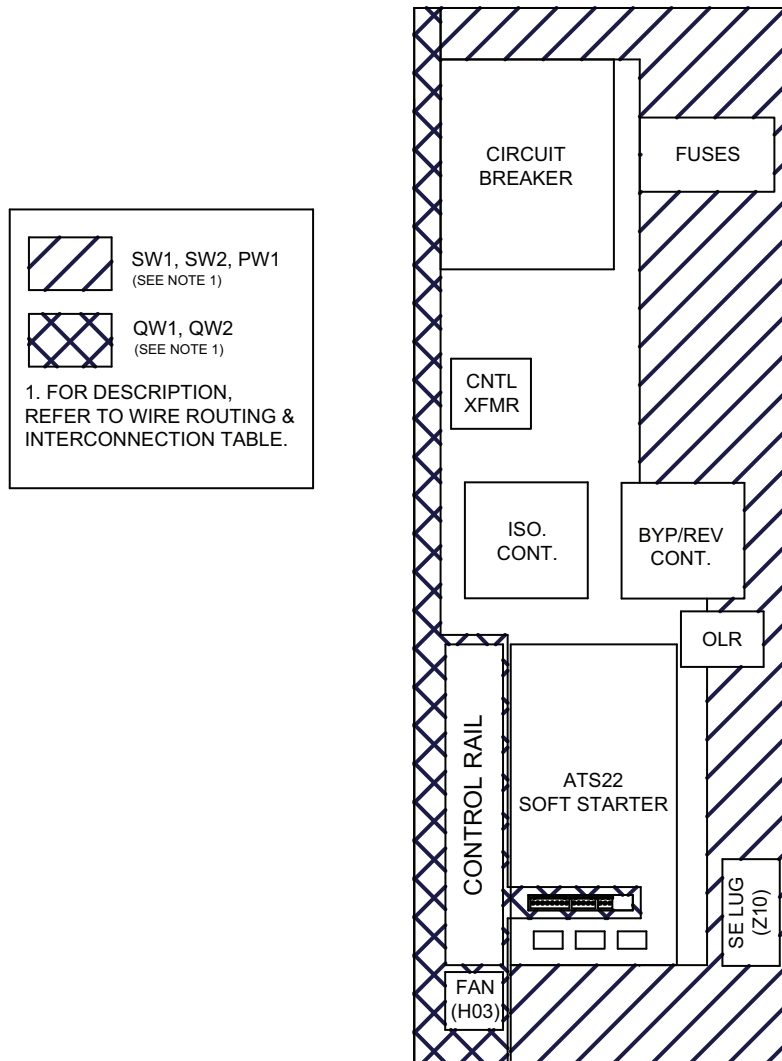




Figure 32: Power Circuit S05, N05, R05 and Y05 Wire Routing: EMI Class Groups



### Wiring Methods

**⚠ DANGER**

**HAZARD OF ELECTRIC SHOCK, EXPLOSION, OR ARC FLASH**

- Route and secure all conductors to prevent damage to insulation when installing them under or near sharp edges.
- When possible, use jacketed conductors.

**Failure to follow these instructions will result in death or serious injury.**

Based on the EMI Class and Voltage Class of the conductors, apply the wiring methods described in Table 15 on page 58.

**Table 15: Wire Routing and Interconnection**

Wiring Methods and Considerations	EMI Class of Conductors <sup>1</sup>				
	QW1	QW2	SW1	SW2	PW1
<b>Conductor Grouping in Wireways and Conduits</b>					
1. Bundle all conductors of 1- or 3-phase AC power circuits to minimize stray magnetic fields.			X	X	X
2. Bundle all conductors of a DC power circuit to minimize stray magnetic fields.			X	X	X
3. When parallel conductors must be run in separate wireways or conduit, bundle the conductors into groups to minimize stray magnetic fields.				X	X
4. Maintain conductor runs that are as short and direct as possible.	X	X	X	X	X
<b>Separation of Circuits</b>					
1. Do not run different EMI Class conductors in the same conduit.	X	X	X	X	X
2. Do not run different Voltage Class conductors in the same conduit unless all conductors are insulated for the maximum Voltage Class present.	X	X	X	X	X
3. Separate all conductors by EMI Class. Use the following circuit separation when conductors run parallel for more than 12 in. (305 mm).					
• Metallic conduit: 3 in. (76 mm) from QW to SW or PW	X	X	X	X	X
• Metallic tray: 3 in. (76 mm) from SW to PW			X	X	X
• Metallic tray: 6 in. (152 mm) from QW to SW or PW	X	X	X	X	X
• Against continuous metal surface: 3 in. (76 mm) from SW to PW			X	X	X
• Against continuous metal surface: 6 in. (152 mm) from QW to SW or PW	X	X	X	X	X
• Metallic conduit housing QW: 12 in. (305 mm) to non-metallic conduit SW or PW	X	X	X	X	X
• Non-metallic conduit: 3 in. (76 mm) from SW to PW			X	X	X
• Non-metallic conduit: 23 in. (584 mm) from QW to SW or PW	X	X	X	X	X
4. All PW conductor groups must be individually separated using metallic conduit.					X
5. If QW and SW1 wiring must cross SW2 or PW1 wiring, cross the bundles at right angles.	X	X	X	X	X
<b>Common Mode Noise Issues</b>					
1. Provide adjacent signal returns using twisted pair cable.	X	X			
2. Galvanically isolate the signal and the associated signal return path when possible.	X	X			
<b>Shielding</b>					
1. Use metallic conduit for all power and control circuits external to the controller enclosure.	X	X	X	X	X
2. Use shields that are continuous and equipped with a drain wire.	X	X	X		
3. Do not group different EMI Class conductors within the same shield.	X	X	X	X	X
4. Minimize the non-shielded portion of the conductor at the end of the shielded cable.	X	X	X	X	X
5. When shielding AC or DC power conductors, group the conductors to minimize the magnetic field in the shield.			X	X	X
<b>Grounding</b>					
1. Ground shields only at the controller end.	X	X	X	X	X
2. Use a separate grounding wire for each shield ground.	X	X	X	X	X
3. Provide a grounding wire with all conductor groups, whether in tray or conduit.			X	X	X
4. When multiple grounds must be made to a shielded power cable, the shield must have the same short-circuit withstand capability as the grounding conductor in the power cable.			X	X	X
5. Terminate all power grounds and power shield grounds to the controller grounding point or bar.			X	X	X
6. Terminate all signal shield grounds to the terminals provided.	X	X			
7. Always supply a separate equipment grounding conductor with the controller power feed. Do not depend on metallic conduit for the grounding connection.			X	X	X

<sup>1</sup> "X" indicates applicability to the specified EMI Class.

## Component Locations

See Figures 33–37 for Enclosed 22 component identification and terminal block locations for the power circuit configuration specified.

See Tables 19–23 on pages 67–71 for wire sizes and terminal torque requirements.

**Figure 33: Power Circuit B05**

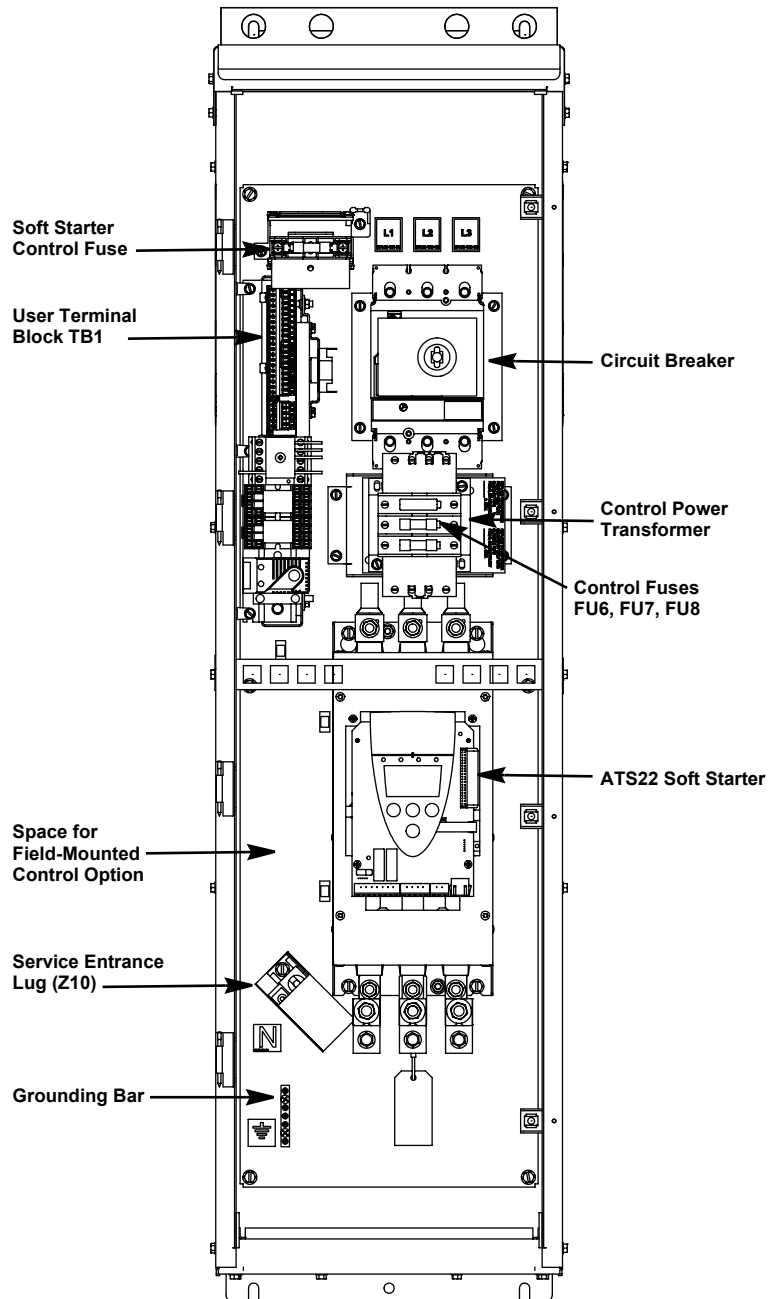


Figure 34: Power Circuit S05

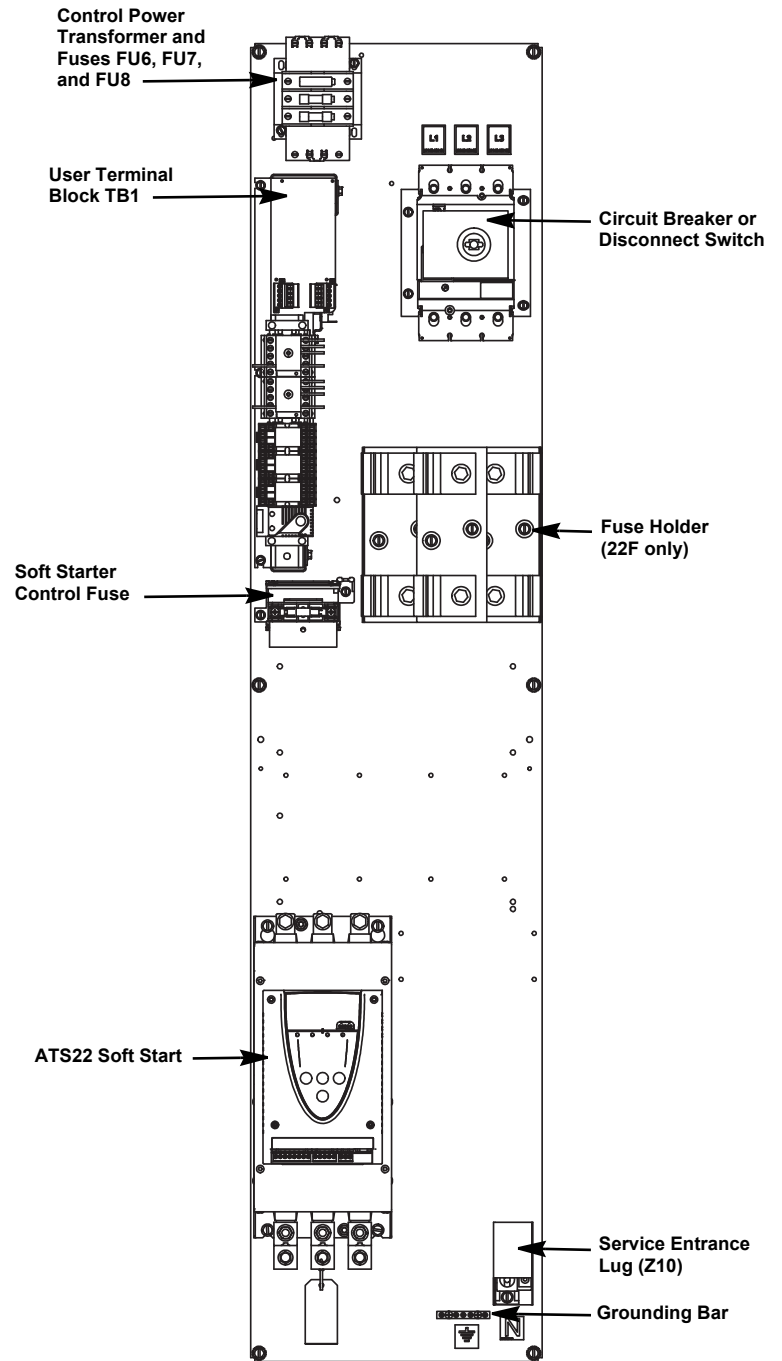


Figure 35: Power Circuit N05

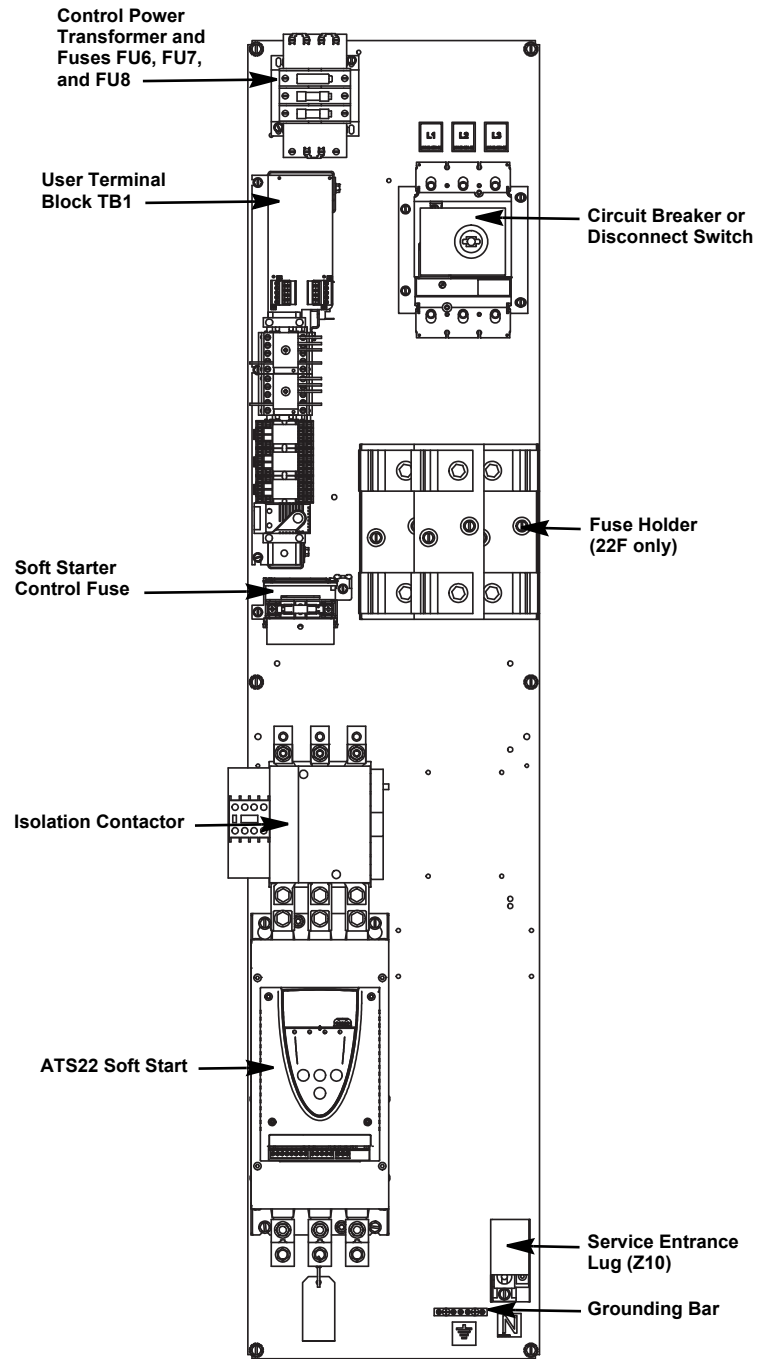


Figure 36: Power Circuit R05

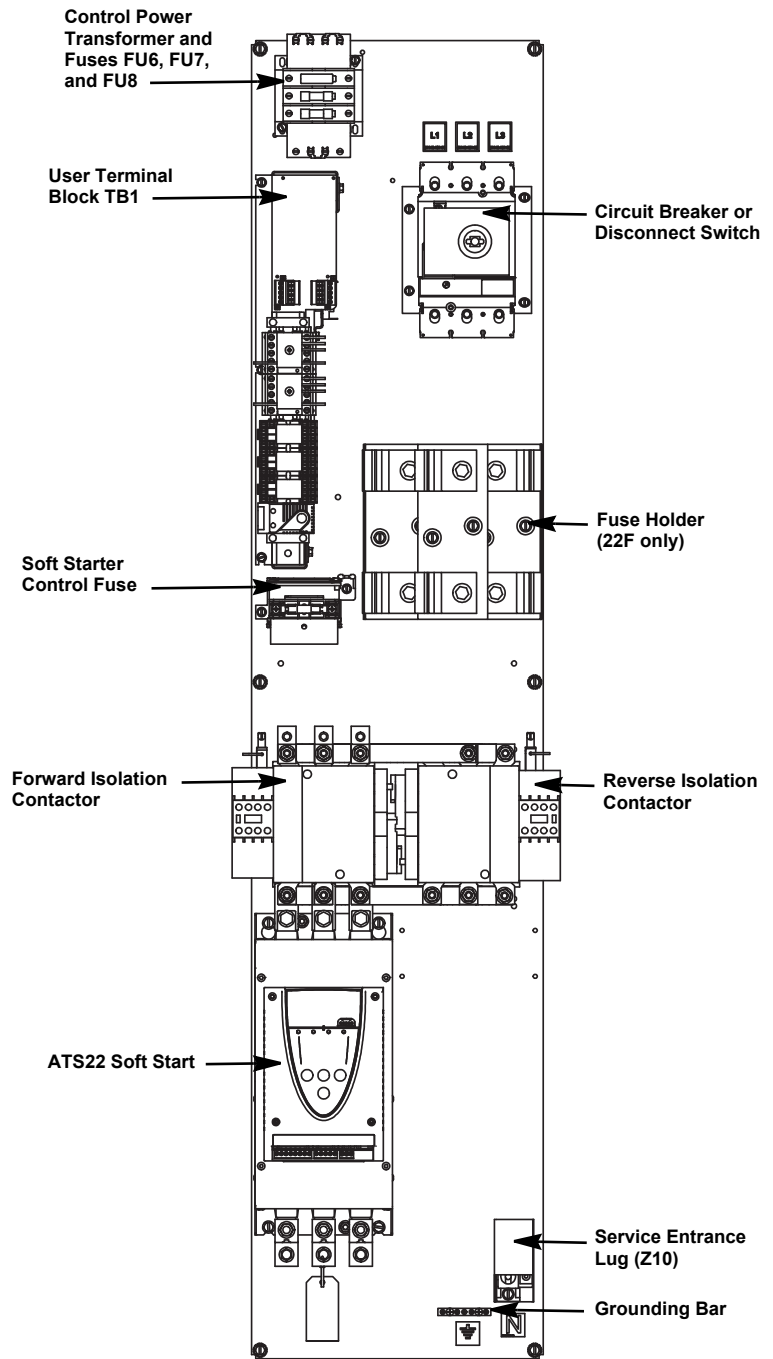
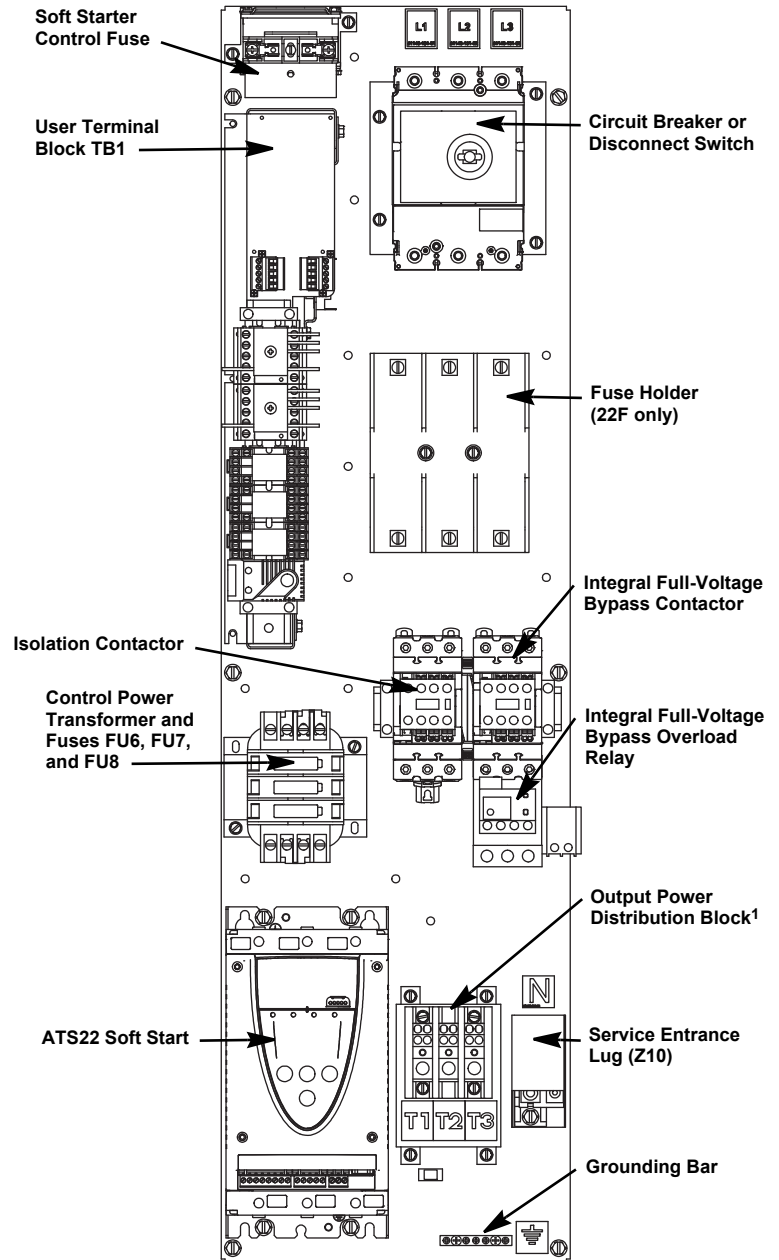


Figure 37: Power Circuit Y05



1 Power distribution block supplied for UL Type 1 and Type 12K enclosures in the following hp/voltages: 3–20 hp @ 208 V; 5–25 hp @ 230 V; 10–50 hp @ 460 V; 15–60 hp @ 575 V. Power Distribution Block supplied for UL Type 3R enclosures in the following hp/voltages: 3–20 hp @ 208 V; 5–20 hp @ 230 V; 10–40 hp @ 460 V; 15–60 hp @ 575 V.

## Power Wiring

### **⚠ DANGER**

#### **HAZARD OF ELECTRIC SHOCK, EXPLOSION, OR ARC FLASH**

- Apply appropriate personal protective equipment (PPE) and follow safe electrical work practices. See NFPA 70E.
- Some terminals have voltage on them when the disconnect is open.
- Turn off all power supplying this equipment before working on or inside equipment.
- Always use a properly rated voltage sensing device to confirm that power is off.
- Replace covers before turning on power to equipment.
- Read and understand the precautions in “Before You Begin” on page 8 before performing the procedures in this section.

**Failure to follow these instructions will result in death or serious injury.**

### **⚠ CAUTION**

#### **IMPROPER WIRING**

- Do not connect input power leads to the controller output terminals (T1, T2, T3 or U, V, W). This damages the controller and voids the warranty.
- Check the power connections before energizing the controller.

**Failure to follow these instructions can result in injury or equipment damage.**

### **⚠ CAUTION**

#### **HEAT AND FIRE DAMAGE**

Follow the torque requirements specified on the Enclosed 22 controller nameplate.

**Failure to follow these instructions can result in injury or equipment damage.**



**Table 16: Power Terminal Characteristics**

Terminal	Function	Voltage (+10%/-15%)
GND	Ground (to grounding bar on panel)	—
L1, L2, and L3	Three-phase power supply (top of circuit breaker)	208
		230
		460
		575
T1, T2, and T3	Output connections to motor (bottom of soft starter, overload relay, or power distribution block)	208
		230
		460
		575

**Table 17: Available Wire Bending Space, Power Circuit B05**

Controller Rating			Wire Bending Space in. (mm)	Maximum Field Termination Wire Size <sup>1</sup>	Enclosure Size Reference
40 °C (104 °F) hp	UL Type 3R or 50 °C (122 °F) hp	V			
3–25	3–20	208	2.5 (63.5)	AWG 2 (66.4 mm <sup>2</sup> )	A
5–30	5–25	230			
10–60	10–50	460			
15–75	15–60	575			
30–50	25–40	208	8 (203.2)	250 kcmil (127 mm <sup>2</sup> )	B
40–60	30–50	230			
75–125	60–100	460			
60–125	50–100	208	11 (279.4)	(2) 350 kcmil (177 mm <sup>2</sup> )	D
75–150	60–125	230			
150–300	125–250	460			
200–300	150–300	575			
150	125	208	17 (431.8)	(2) 500 kcmil (253 mm <sup>2</sup> )	E
200	150	230			
350–400	300–350	460			
400–500	350–400	575			

<sup>1</sup> Maximum wire size according to NEC 2009 Table 312.6(B), based on provided wire bend.

**Table 18: Available Wire Bending Space, Power Circuits S05, N05, R05 and Y05**

Controller Rating			Wire Bending Space in. (mm)	Maximum Field Termination Wire Size <sup>1</sup>	Enclosure Size Reference
40 °C (104 °F) hp	UL Type 3R or 50 °C (122 °F) hp	V			
3–10	3–10	208	3.0 (76.2)	AWG 3 (26.7 mm <sup>2</sup> )	B
5–15	5–10	230			
10–30	10–25	460			
15–40	15–30	575			
15–25	10–20	208	8.0 (203.2)	AWG 1/0 (53.5 mm <sup>2</sup> )	C
20–30	15–25	230			
40–60	30–50	460			
50–75	40–60	575			
30–50	25–40	208	7.0 (177.8)	AWG 4/0 (107 mm <sup>2</sup> )	D
40–60	30–50	230			
75–125	60–100	460			
100–150	75–125	575			
60–125	50–100	208	12 (304.8)	(2) 350 kcmil (177 mm <sup>2</sup> )	F
75–150	60–125	230			
150–300	125–250	460			
200–300	150–300	575			
150	125	208	13 (330.2)	(2) 500 kcmil (253 mm <sup>2</sup> )	G
200	150	230			
350–400	300–350	460			
400–500	350–400	575			

<sup>1</sup> Maximum wire size according to NEC 2009 Table 312.6(B), based on provided wire bend.

**Table 19: Line Power Terminal Wire Range and Torque Requirements<sup>1</sup>**

L1, L2, L3 (Line)			Controller Style 22T or 22F			Controller Style 22U		
hp	V	Wire Range AWG (mm <sup>2</sup> )	Torque lb-in (N•m)	Strip Length in. (mm)	Wire Range AWG (mm <sup>2</sup> )	Torque lb-in (N•m)	Strip Length in. (mm)	
3–25	208	14–10 (2.1–5.3)	50 (5.6)	0.65 (16)	14–10 (2.1–5.3)	50 (5.6)	0.65 (16)	
5–30	230							
10–60	460							
15–75	575	8–3/0 (8.4–85)	120 (13.5)		8–3/0 (8.4–85)	120 (13.5)		
30–40	208	14–10 (2.1–5.3)	50 (5.6)	0.65 (16)	4–4/0 (21–107)	225 (25.4)	1 (25)	
40	230							
75	460							
100	575	8–3/0 (8.4–85)	120 (13.5)					
50	230	4–4/0 (21–107)	225 (25.4)	1 (25)	4–4/0 (21–107)	225 (25.4)	1 (25)	
100	460							
125	575							
50	208	3/0–350 (85–177)	225 (25.4)	1 (25)	3/0–350 (85–177)	225 (25.4)	1 (25)	
60	230							
125	460							
150	575							
60	208	3/0–350 (85–177)	225 (25.4)	1 (25)	2–500 (33.6–253)	275 <sup>2</sup> (31)	1.2 (31)	
75	230							
150	460							
200	575					442 <sup>3</sup> (50)		
75	208	2–500 (33.6–253)	275 <sup>2</sup> (31)	1.2 (31)	2–500 (33.6–253)	275 <sup>2</sup> (31)	1.2 (31)	
100	230							
200	460							
250	575					442 <sup>3</sup> (50)		
100	208	2–500 (33.6–253)	275 <sup>2</sup> (31)	1.2 (31)	(2) <sup>2</sup> 2/0–350 (67.4–177)	275 <sup>2</sup> (31)	(1) 1.2 (31)	
125	230							
250	460							
					(2) <sup>3</sup> 2/0–500 (67.4–253)	442 <sup>3</sup> (50)	(2) 2.4 (61)	
40 °C (104 °F) Rated	50 °C (122 °F) Rated							
300	—	575	2–500 (33.6–253)	275 <sup>2</sup> (31)	1.2 (31)	(2) <sup>2</sup> 2/0–350 (67.4–177)	275 <sup>2</sup> (31)	(1) 1.2 (31)
				442 <sup>3</sup> (50)		(2) <sup>3</sup> 2/0–500 (67.4–253)	442 <sup>3</sup> (50)	(2) 2.4 (61)
125	—	208	(2) <sup>2</sup> 2/0–350 (67.4–177)	275 <sup>2</sup> (31)	(1) 1.2 (31)	(2) <sup>2</sup> 2/0–350 (67.4–177)	275 <sup>2</sup> (31)	(1) 1.2 (31)
150	—	230	(2) <sup>3</sup> 2/0–500 (67.4–253)	442 <sup>3</sup> (50)	(2) 2.4 (61)	(2) <sup>3</sup> 2/0–500 (67.4–253)	442 <sup>3</sup> (50)	(2) 2.4 (61)
300	—	460						
150	125	208						
200	150	230						
350–400	300–350	460	(3) 3/0– 500 (85–253)	442 (50)	1 (25)	(3) 3/0– 500 (85–253)	442 (50)	1 (25)
400–500	340–400	575						

<sup>1</sup> Refer to the product nameplate to confirm torque requirements. The information provided in this table is for reference only.

<sup>2</sup> Power terminal wire range and torque requirements for PowerPact D circuit breaker.

<sup>3</sup> Power terminal wire range and torque requirements for PowerPact L circuit breaker.

**Table 20: Load Power Terminal Wire Range and Torque Requirements<sup>1</sup>**

T1, T2, T3 (Load)			Power Circuit B05, S05, N05, R05			Power Circuit Y05		
40 °C (104 °F)  hp	UL Type 3R or 50 °C (122 °F) hp	V	Wire Range  AWG (mm <sup>2</sup> )	Torque  lb-in (N•m)	Strip Length  in. (mm)	Wire Range  AWG (mm <sup>2</sup> )	Torque  lb-in (N•m)	Strip Length  in. (mm)
3–10	3–10	208	12–4 (2.5–16)	26 (3)	0.3 (7)	14–10 (2.1–5.3)	35 (3.9)	0.65 (16)
5–15	5–10	230				8 (8.4)	40 (4.5)	
10–30	10–25	460				6–2/0 (13–67)	120 (13.5)	
15–40	15–30	575						
15–20	15–20	208	10–1/0 (4–50)	88 (10)	0.6 (15)	8 (8.4)	40 (4.5)	0.65 (16)
20–25	15–20	230				6–2/0 (13–67)	120 (13.5)	
40–50	30–40	460						
50–60	40–60	575						
25	—	208	10–1/0 (4–50)	88 (10)	0.6 (15)	6–300 (13–151)	275 (31)	1 (25)
30	25	230						
60	50	460						
75	—	575						
30–50	25–40	208	6–300 (13–151)	275 (31)	1 (25)	6–300 (13–151)	275 (31)	1 (25)
40–60	30–50	230						
75–125	60–100	460						
100–150	75–125	575						
60–150	50–125	208	(2) 2–500 (33.6–253)	500 (56)	Lug 1: 1.0 (25) Lug 2: 2.0 (50)	(2) 2–500 (33.6–253)	500 (56)	Lug 1: 1.0 (25) Lug 2: 2.0 (50)
75–200	60–150	230						
150–400	125–350	460						
200–500	150–400	575						

<sup>1</sup> Refer to the product nameplate to confirm torque requirements. The information provided in this table is for reference only.

**Table 21: Grounding Bar Wire Range and Torque Requirements**

Controller Rating		Grounding Bar		
hp	V	AWG (mm <sup>2</sup> )	lb-in (N•m)	Strip Length in. (mm)
<b>Enclosure Sizes A, B, or C</b>				
3–50	208	14–4 (2–21)	35 (4.0)	0.35 (9)
5–60	230			
10–125	460			
15–150	575			
<b>Enclosure Size D, Power Circuits S05, N05, R05 or Y05</b>				
3–50	208	14–4 (2–21)	35 (4.0)	0.35 (9)
40–60	230			
75–125	460			
100–150	575			
<b>Enclosure Size D, Power Circuit B05</b>				
60–125	208	14–8 (2.1–8.4)	36 (4.1)	0.6 (15.2)
75–150	230			
150–300	460	6–1/0 (13.3–53.5)	45 (5.1)	0.6 (15.2)
200–300	575			
<b>Enclosure Sizes E, F, or G</b>				
60–150	208	6–300 (13.3–151)	275 (31.1)	1 (25.4)
75–200	230			
150–400	460			
200–500	575			

**Table 22: Service Entrance (Mod Z10) Wire Range and Torque Requirements**

Controller Rating			Main Neutral		Ground	
40 °C (104 °F) hp	UL Type 3R or 50 °C (122 °F) hp	V	AWG (mm <sup>2</sup> )	lb-in (N•m)	AWG (mm <sup>2</sup> )	lb-in (N•m)
3–25	3–20	208	12–1/0 AL (3.3–53.3 AL) 14–1/0 CU (2.1–53.3 CU)	75 (8.5)	12–1/0 AL (3.3–53.3 AL) 14–1/0 CU (2.1–53.3 CU)	50 (5.6)
5–30	5–25	230				
10–60	10–50	460				
15–75	15–60	575				
30–50	25–40	208	4–300 (21.1–151)	250 (28.2)	6–4 (13.3–21.1) 8 (8.4)	45 (5.1) 40 (4.5)
40–60	30–50	230				
75–125	60–100	460				
100–150	75–125	575				

Continued on next page

**Table 22: Service Entrance (Mod Z10) Wire Range and Torque Requirements** *(continued)*

Controller Rating			Main Neutral		Ground	
40 °C (104 °F) hp	UL Type 3R or 50 °C (122 °F) hp	V	AWG (mm <sup>2</sup> )	lb-in (N•m)	AWG (mm <sup>2</sup> )	lb-in (N•m)
75–125	60–100	208	1–500 (42.4–253)	300 (33.9)	4–300 (21.1–151)	250 (28.2)
100–150	75–125	230				
200–300	150–250	460				
250–300	200–250	575				
150	125	208	3/0–500 (85–253)	300 (33.9)	6–250 (13.3–127)	275 (31.1)
200	150	230				
350–400	300–350	460				
400–500	350–400	575				

## Control Wiring

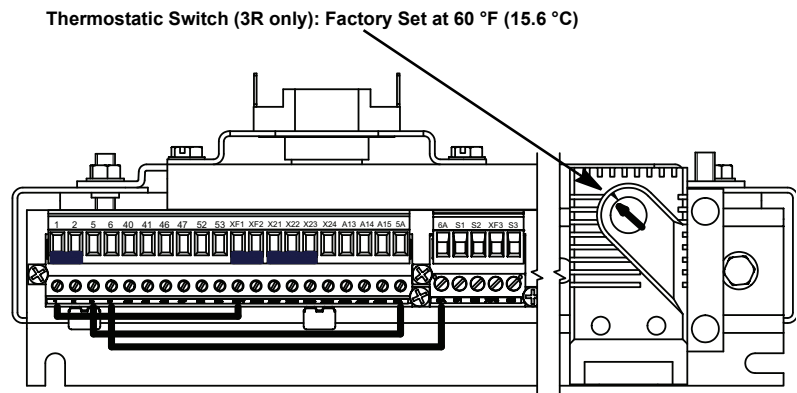
Connect the control wiring to the upper portion of the pull-apart terminal block TB1. See Figure 38 or 39 (pages 70 and 71).

- The control terminals are rated 250 V, 12 A. Maximum wire size for the control terminals:
  - 12 AWG (2.5 mm<sup>2</sup>), 1 wire
  - 16 AWG (1.5 mm<sup>2</sup>), 2 wire
- Minimum tightening torque: 4.5 lb-in (0.5 N•m)
- The user terminals for power circuit B05 are designated on the wiring diagrams. See Figures 43–52 on pages 92–101.

For other power circuit options (S05, N05, R05 or Y05), refer to the documentation that ships with the controller.

## Shunt Trip (B05)

**Figure 38: TB1 and TB2 User Terminal Blocks**



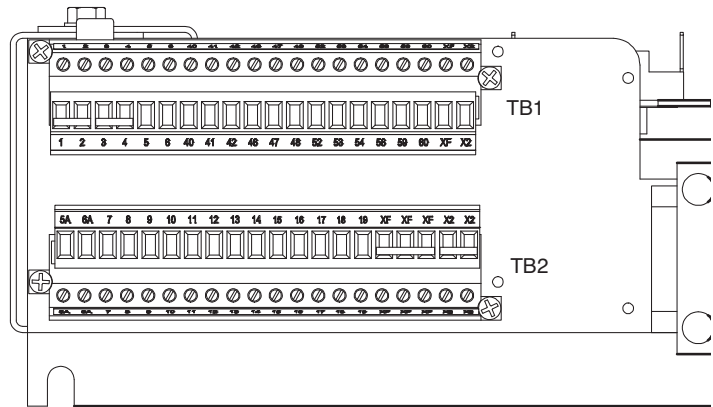
**Table 23: TB1 User Terminal Connections**

Function	Description	User Terminals (See Figure 38)	
		1	2
User Interlock	Remove the jumper between terminals 1 and 2 to add interlock.	1	2
Auto Start Contact <sup>1</sup>	Auto mode run input	5	6
Normally-Open (N.O.) Trip Contact <sup>2</sup>	Closes when the controller trips.	40	41
N.O. Auto Mode Contact <sup>3</sup>	Closes when auto mode is selected.	46	47
N.O. Run Contact <sup>4</sup>	Closes when a run command is provided.	52	53

- <sup>1</sup> Auto start contact valid only for control options C06 and E06.
- <sup>2</sup> Requires selecting miscellaneous option J10, N.O. auxiliary trip annunciation contact.
- <sup>3</sup> Requires selecting miscellaneous option H10, N.O. auxiliary auto mode contact. Valid only with control options C06 and E06.
- <sup>4</sup> Requires selecting miscellaneous option F10, N.O. auxiliary run mode contact.

**Shunt Trip (S05) and Other Power Options (N05, R05, Y05)**

**Figure 39: TB1 User Terminal Block**



**Table 24: TB1 User Terminal Connections**

Function	Description	User Terminals (See Figure 39)	
		1	2
User Interlock 1	Remove the jumper between terminals 1 and 2 to add the interlock.	1	2
User Interlock 2	Remove the jumper between terminals 3 and 4 to add the interlock.	3	4
Auto Start Contact <sup>1</sup>	Auto mode run input.	5	6
Normally-Open (N.O.) Trip Contact <sup>2</sup>	Closes when a fault is detected.	40	41
Normally-Closed (N.C.) Trip Contact <sup>2</sup>	Opens when a fault is detected.	41	42
N.O. Auto Mode Contact <sup>3</sup>	Closes when Auto mode is selected.	46	47
N.C. Auto Mode Contact <sup>3</sup>	Opens when Auto mode is selected.	47	48
N.O. Run Contact <sup>4</sup>	Closes when a run command is provided.	52	53
N.C. Run Contact <sup>4</sup>	Opens when a run command is provided.	53	54

*Continued on next page*

**Table 24: TB1 User Terminal Connections** (continued)

Function	Description	User Terminals (See Figure 39)	
N.O. Bypass Contact <sup>5</sup>	Closes when the controller is placed in Bypass mode.	58	59
N.C. Bypass Contact <sup>5</sup>	Opens when the controller is placed in Bypass mode.	59	60
Control Power (120 Vac)	Provides access to control power when option B10 is selected.	XF	X2

<sup>1</sup> Auto start contacts valid only for control options C06 and E06.

<sup>2</sup> Requires selecting miscellaneous option J10, auxiliary trip annunciation contacts.

<sup>3</sup> Requires selecting miscellaneous option H10, auxiliary Auto mode contacts. Valid only with control options C06 and E06.

<sup>4</sup> Requires selecting miscellaneous option F10, auxiliary Run mode contacts.

<sup>5</sup> Requires selecting miscellaneous option Y06 and miscellaneous option G10.

## Initial Start-Up Procedure

### **⚠ DANGER**

#### **HAZARD OF ELECTRIC SHOCK, EXPLOSION, OR ARC FLASH**

Read and understand the precautions in “Before You Begin” starting on page 8 before performing the procedures in this section.

**Failure to follow these instructions will result in death or serious injury.**

### **⚠ DANGER**

#### **HAZARD OF ELECTRIC SHOCK, EXPLOSION, OR ARC FLASH**

- Apply appropriate personal protective equipment (PPE) and follow safe electrical work practices. See NFPA 70E.
- This equipment must only be installed and serviced by qualified electrical personnel.
- Turn off all power supplying this equipment before working on or inside equipment.
- Always use a properly rated voltage sensing device to confirm power is off.
- Replace all devices, doors, and covers before turning on power to this equipment.

**Failure to follow these instructions will result in death or serious injury.**



## **⚠ DANGER**

### **UNQUALIFIED PERSONNEL**

- This equipment must be installed and serviced only by qualified personnel.
- Qualified personnel performing diagnostics or troubleshooting requiring electrical conductors to be energized must comply with NFPA 70 E - Standard for Electrical Safety Requirements for Employee Workplaces and OSHA Standards – 29 CFR Part 1910 Subpart S Electrical.

**Failure to follow these instructions will result in death or serious injury.**

The Enclosed 22 controller is configured for the installed options and tested at the factory. Depending on the application requirements, minor adjustments may be required to complete the field installation. Follow this initial start-up procedure step by step.

With all incoming power removed, make the following equipment checks:

1. Verify that all equipment disconnects are open.
2. If provided, set the selector switch<sup>1</sup> to Off or Stop.
3. Turn off all power supplying this equipment before working on or inside the equipment, and follow lockout/tagout procedures. Always use a properly rated voltage sensing device to confirm that the power is off.
4. Place the unit handle in the Off position and open the door.
5. Check the wiring of the input power ground and the motor ground.
6. Ensure that the motor conductors are wired to the load terminals in the enclosure marked T1, T2, and T3. Load terminals are either at the softstarter, bypass overload relay or power distribution block, depending on the power circuit, horsepower, and voltage selected.

## **⚠ DANGER**

### **HAZARD OF ELECTRIC SHOCK, EXPLOSION, OR ARC FLASH**

- Properly ground the controller panel before applying power.
- Close and secure the enclosure door before applying power.
- Certain adjustments and test procedures require that power be applied to this controller. Exercise extreme caution as hazardous voltages exist. The enclosure door must be closed and secured while turning on power or starting and stopping this controller. Always follow practices and procedures from NFPA 70E, “Standard for Electrical Safety in the Workplace®.”

**Failure to follow these instructions will result in death or serious injury.**

7. Close and secure the enclosure door. Close the controller disconnect. Close the supplying equipment disconnect.
8. Open the controller disconnect by moving the handle to the Off position. Open the enclosure door.

<sup>1</sup> The selector switch is provided with control options A06, B06, D06, or E06.

9. Using a properly rated voltage sensing device set to the appropriate scale, verify that the incoming line voltage at the line side of the disconnecting means is within +10%/-15% of the input voltage rating on the controller nameplate.

10. Close and secure the enclosure door. Close the equipment disconnect means. The Off pilot light<sup>1</sup>, if provided, illuminates.

This controller provides direct thermal protection for the motor when a motor thermal sensor is connected to terminals PTC1 and PTC2 on the ATS22 soft starter terminal block. Refer to the *ATS22 User Manual*, BBV51330, for additional details.

## **⚠ CAUTION**

### **MOTOR OVERHEATING HAZARD**

Use a thermal sensor in the motor as required by the motor manufacturer to facilitate overheating protection at all speeds and load conditions.

**Failure to follow these instructions can result in injury or equipment damage.**

11. Adjust the full load current setting as follows:

- Press the down arrow key on the keypad terminal until the display shows **CO<sub>n</sub>F**. Press the ENT key once, then press the down arrow key until **In** is displayed.
- Press the ENT key, then use the up and down arrow keys to adjust the setting to match the full load current listed on the motor nameplate.
- Press the ENT key to save the setting, and press the ESC key twice to return to the status menu.

**NOTE:** The settings listed in this procedure are suitable for most applications. If your application requires different operating characteristics, refer to the *ATS22 User Manual*, BBV51330.

## **⚠ WARNING**

### **HAZARDOUS MOVING PARTS**

Before starting the Enclosed 22 controller, ensure that the motor and its connected load are clear of personnel and are ready to run.

**Failure to follow these instructions can result in death or serious injury.**

12. Check the direction of motor rotation as follows:

- Set the selector switch<sup>2</sup>, if provided, to Hand or Run. Press the Start button<sup>3</sup>, if provided. Check the direction of motor rotation. If correct, proceed to Step 13. If incorrect, press the Stop button and/or turn the selector switch back to Off or Stop.

<sup>1</sup> Pilot lights are provided with pilot options A07, B07, C07, or D07.

<sup>2</sup> The selector switch is provided with control options B06, C06, D06, and E06.

<sup>3</sup> The Start and Stop pushbuttons are provided with control options A06 and E06.

## **⚠ DANGER**

### **HAZARD OF ELECTRIC SHOCK, EXPLOSION, OR ARC FLASH**

- Apply appropriate personal protective equipment (PPE) and follow safe electrical work practices. See NFPA 70E.
- This equipment must only be installed and serviced by qualified electrical personnel.
- Turn off all power supplying this equipment before working on or inside equipment.
- Always use a properly rated voltage sensing device to confirm power is off.
- Replace all devices, doors, and covers before turning on power to this equipment.

**Failure to follow these instructions will result in death or serious injury.**

- Turn off all power supplying this equipment before working on or inside the equipment, and follow lockout/tagout procedures. Always use a properly rated voltage sensing device to confirm that the power is off.
  - Place the unit handle in the Off position and open the door.
  - Correct the direction of motor rotation by reversing any two motor leads connected to the controller output.
  - Close and secure the enclosure door. Close the equipment disconnect means. The Off pilot light, if provided, illuminates.
  - Set the selector switch, if provided, to Hand or Run. Press the Start button, if provided. Check the direction of motor rotation. If correct, this completes the motor rotation check.
13. If required for the application, adjust the setting of acceleration time (**ACC**), deceleration time (**dEC**), current limit (**ILt**), max starting time (**tLs**), and other parameters.

## ATS22 Soft Starter Factory Settings

If the ATS22 soft starter has been replaced or reset to the factory settings, you may need to adjust some parameter values. The soft starter is factory configured as shown in Table 25. Refer to the *ATS22 User Manual*, BBV51330, for other settings and options.

**Table 25: ATS22 Soft Starter Factory Settings**

Menu	Parameter	Name	Unit	Description	Factory Setting
COnF	UIn	Line Voltage	V	Mains Voltage	According to nameplate
COnF	In	Motor Rated Current	A	Motor Rated Current	100% of the controller's nameplate rating
AdJ	Snb	# of Starts	—	Number of Starts	3
AdJ	SLG	Starts Period	min	Starts Period	60
IO	LI2	Logic Input LI2		(A06) Start-Stop Pushbuttons	Strt (3-Wire)
				(C06) Hand-Off-Auto Selector Switch	rUn (2-Wire)
				(D06) Run-Stop Selector Switch	rUn (2-Wire)
				(E06) Hand-Auto Selector Switch and Start-Stop Pushbuttons	Strt (3-Wire)
				(S05, N05, R05, Y05) All Control Options	rUn (2-Wire)

## Programming Access with Omit Keypad Option (U10) or UL Type 3R Enclosure (H03)

### **⚠ DANGER**

#### **HAZARD OF ELECTRIC SHOCK, EXPLOSION, OR ARC FLASH**

- Properly ground the controller panel before applying power.
- Close and secure the enclosure door before applying power.
- Certain adjustments and test procedures require that power be applied to this controller. Exercise extreme caution as hazardous voltages exist. The enclosure door must be closed and secured while turning on power or starting and stopping this controller. Always follow practices and procedures from NFPA 70E, "Standard for Electrical Safety in the Workplace."

**Failure to follow these instructions will result in death or serious injury.**

When option U10, Omit Door-Mounted Keypad, is selected, the remote keypad (VW3G22101) and cable (WV3A1104R30) must be ordered to make programming changes to the soft starter. Option H03, UL Type 3R enclosure, includes a remote keypad and cable inside the enclosure.

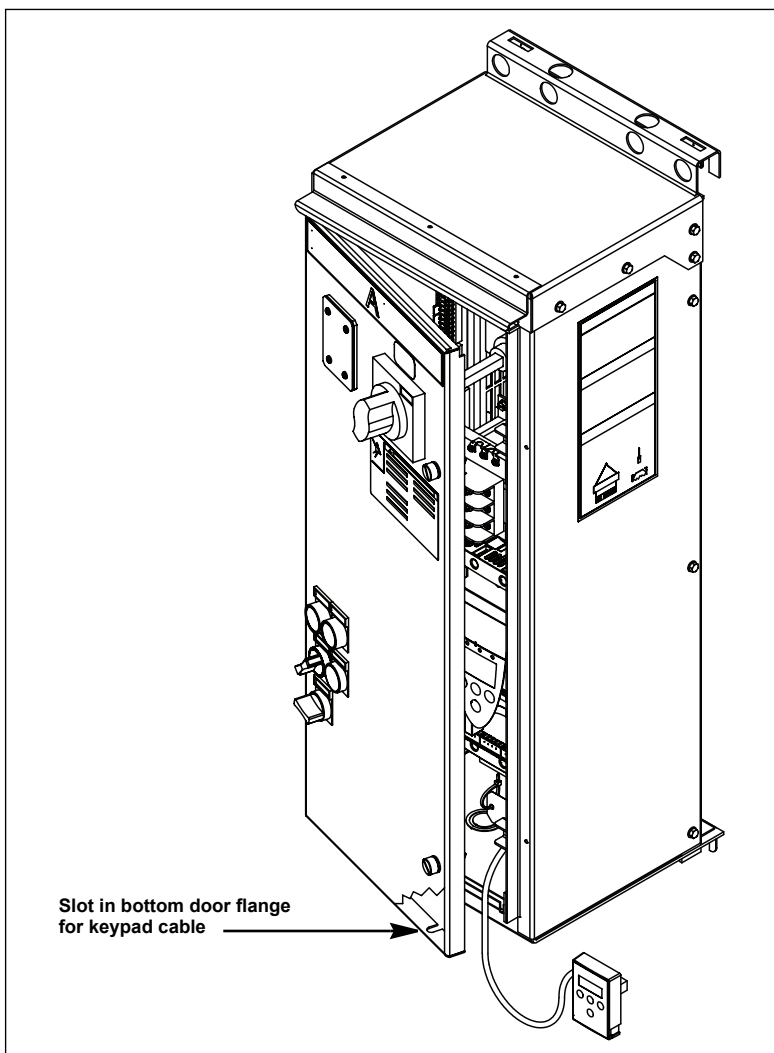
To program the controller when options U10 or H03 are selected:

1. Remove all power from the controller, then test for the absence of voltage.  
**NOTE:** Verify that the voltage tester is functioning properly before and after testing for the absences of voltage.
2. Turn the circuit breaker and handle assembly to the Off position and open the enclosure door.
3. Remove the remote keypad and cable from the enclosure.

4. Connect the remote keypad and cable to the soft starter.
5. Route the keypad cable between the bottom enclosure flange and the notch in the bottom of the door flange. See Figure 40.
6. Close and secure the enclosure door. Ensure that the keypad cable is not pinched by the door.
7. Close the disconnect means.
8. Program the controller with the keypad.
9. When programming is complete, remove all power then test for the absence of voltage.
10. Open the enclosure door and remove the remote keypad cable from the soft starter.
11. Place the remote keypad and cable inside the enclosure. Do not leave the remote keypad in the bottom of the enclosure.
12. Close and secure the enclosure door.

To program or control the ATS22 soft starter through the Modbus™ communication port, refer to the *ATS22 User Manual*, BBV51330.

**Figure 40: Remote Keypad Access on Wall-Mounted Enclosures**



## Adjusting the PowerPact Motor Circuit Protector Trip Setting

### Style 22T

If controller style 22T (Powerpact motor circuit protector disconnect) is provided, the adjustable magnetic-trip circuit breaker setting is factory-set to the minimum current. You may have to adjust these settings for proper motor start-up. Refer to the magnetic trip setpoint limits outlined in the applicable national standards.

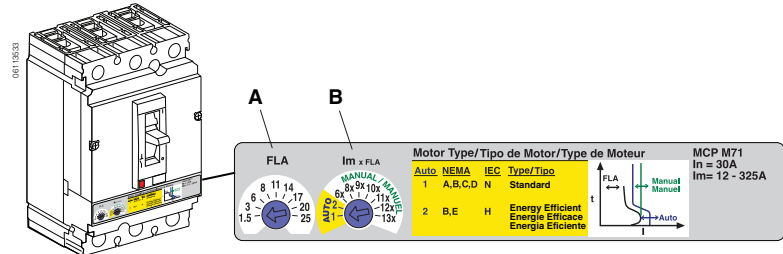
## **⚠ DANGER**

### **HAZARD OF ELECTRIC SHOCK, EXPLOSION, OR ARC FLASH**

- Apply appropriate personal protective equipment (PPE) and follow safe electrical work practices. See NFPA 70E.
- This equipment must only be installed and serviced by qualified electrical personnel.
- Turn off all power supplying this equipment before working on or inside equipment.
- Always use a properly rated voltage sensing device to confirm power is off.
- Replace all devices, doors, and covers before turning on power to this equipment.

**Failure to follow these instructions will result in death or serious injury.**

**Figure 41: PowerPact H/J FLA and Im Dials**



To access the PowerPact H or J full load amps (FLA) and instantaneous trip setting (Im) dials:

1. Turn off all power supplying this equipment before working on or inside the equipment, and follow lockout/tagout procedures. Always use a properly rated voltage sensing device to confirm that the power is off.
2. Place the unit handle in the Off position and open the door.
3. To set the motor circuit protector, refer to the instruction bulletin supplied with the equipment, or download it from the Technical Library at [www.schneider-electric.us](http://www.schneider-electric.us).

**NOTE:** Motor circuit protectors are suitable for motors with locked-rotor indicating code letters based on applicable national codes and standards. For other motors, consult your local Schneider Electric field sales representative.

**Table 26: Style 22T Motor Circuit Protector Selection**

hp	208 V	230 V	460 V	575 V
3	HLL36030M71	—	—	—
5	HLL36030M71	HLL36030M71	—	—
7.5	HLL36050M72	HLL36050M72	—	—
10	HLL36050M72	HLL36050M72	HLL36030M71	—
15	HLL36100M73	HLL36100M73	HLL36050M72	HLL36030M71
20	HLL36150M74	HLL36100M73	HLL36050M72	HLL36030M71
25	HLL36150M74	HLL36150M74	HLL36050M72	HLL36050M72
30	HLL36150M74	HLL36150M74	HLL36100M73	HLL36050M72
40	HLL36150M74	HLL36150M74	HLL36100M73	HLL36100M73
50	JLL36250M75	JLL36250M75	HLL36150M74	HLL36100M73
60	JLL36250M75	JLL36250M75	HLL36150M74	HLL36100M73
75	DJL36400M36 LLL36400M37XLY	JLL36250M75	HLL36150M74	HLL36150M74
100	DJL36400M36 LLL36400M37XLY	DJL36400M36 LLL36400M37XLY	JLL36250M75	HLL36150M74
125	DJL36600M42 <sup>1</sup> LLL36600M37X <sup>1</sup>	DJL36400M36 LLL36400M37XLY	JLL36250M75	JLL36250M75
150	PLL34060M68 <sup>2</sup>	DJL36600M42 <sup>1</sup> LLL36600M37X <sup>1</sup>	JLL36250M75	JLL36250M75
200	—	PLL34060M68 <sup>2</sup>	DJL36400M36 LLL36400M37XLY	JLL36250M75
250	—	—	DJL36400M36 LLL36400M37XLY	DJL36400M36 LLL36400M37XLY
300	—	—	DJL36600M42 <sup>1</sup> LLL36600M37X <sup>1</sup>	DJL36400M36 LLL36400M37XLY
350	—	—	PLL34060M68	—
400	—	—	PLL34060M68 <sup>2</sup>	PKL36060M68
500	—	—	—	PKL36060M68 <sup>2</sup>

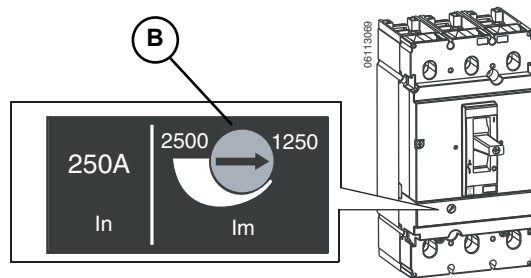
<sup>1</sup> 600 A PowerPact P motor circuit protector is supplied for UL Type 3R or 50 °C (122 °F) rated enclosures.

<sup>2</sup> Selection valid for UL Type 1 and Type 12 enclosures only. Not valid for 50 °C (122 °F) rated enclosures.

**Style 22U**

Some circuit breakers have trip settings that may need adjustment according to the application and motor type. For more information on trip setting adjustment, refer to the circuit breaker instruction bulletin provided with the equipment, or available for download from the Technical Library at [www.schneider-electric.us](http://www.schneider-electric.us).

**Figure 42: PowerPact J FLA and Im Dial**



**Table 27: Style 22U Thermal-Magnetic Circuit Breaker Selection**

hp	208 V	230 V	460 V	575 V
3	HLL36025	—	—	—
5	HLL36040	HLL36035	—	—
7.5	HLL36060	HLL36050	—	—
10	HLL36070	HLL36070	HLL36035	—
15	HLL36110	HLL36090	HLL36050	HLL36040
20	HLL36125	HLL36110	HLL36060	HLL36050
25	HLL36150	HLL36125	HLL36070	HLL36060
30	JLL36175	HLL36150	HLL36090	HLL36080
40	JLL36250	JLL36175	HLL36110	HLL36100
50	JLL36250	JLL36250	HLL36125	HLL36125
60	DLL36400E20 LLL36400U31XLY	JLL36250	HLL36150	HLL36150
75	DLL36400E20 LLL36400U31XLY	DLL36400E20 LLL36400U31XLY	JLL36175	HLL36150
100	DLL36600E20 LLL36600U31X	DLL36400E20 LLL36400U31XLY	JLL36250	JLL36175 <sup>1</sup>
125	DLL36600E20 <sup>2</sup> LLL36600U31X <sup>2</sup>	DLL36600E20 LLL36600U31X	JLL36250	JLL36250
150	MJL36600 <sup>3</sup>	DLL36600E20 <sup>2</sup> LLL36600U31X <sup>2</sup>	DLL36400E20 LLL36400U31XLY	JLL36250
200	—	MJL36800 <sup>3</sup>	DLL36400E20 LLL36400U31XLY	DLL36400E20 LLL36400U31XLY
250	—	—	DLL36600E20 LLL36600U31X	DLL36400E20 LLL36400U31XLY
300	—	—	DLL36600E20 <sup>2</sup> LLL36600U31X <sup>2</sup>	DLL36600E20 LLL36600U31X
350	—	—	MJL36800	—
400	—	—	MJL36800 <sup>3</sup>	MJL36600
500	—	—	—	MJL36800 <sup>3</sup>
<b>Circuit Breaker Supplied with Option 610</b>				
150	PLL34060 <sup>3</sup>	—	—	—
200	—	PLL34080 <sup>3</sup>	—	—
250	—	—	—	—
300	—	—	—	—
350	—	—	PLL34080	—
400	—	—	PLL34080 <sup>3</sup>	PKL36060
500	—	—	—	PKL36080 <sup>3</sup>

<sup>1</sup> JLL36200 circuit breaker is supplied for UL Type 3R or 50 °C (122 °F) rated enclosures.

<sup>2</sup> 600 A PowerPact M or P circuit breaker is supplied for UL Type 3R or 50 °C (122 °F) rated enclosures.

<sup>3</sup> Selection valid for UL Type 1 and Type 12 enclosures only. Not valid for 50 °C (122 °F) rated enclosures.



## Power Fuse Recommendations Style 22F

You must supply and install the power fuses in controllers supplied with fusible switch disconnects. Select the fuses from Tables 28 and 29 (page 81). All Enclosed 22 controllers accept UL Class J time-delay fuses, depending on the full load current rating.

Select fuses according to the recommendations in this section and make sure they conform with all local and national codes regarding selection of fuse protection and the actual full load current of the motor. The selections provided in Tables 28 and 29 comply with the requirements of NFPA 70 (NEC) and with the Canadian Electric Code (CEC) based on the rated current of the Enclosed 22 controller.

To order power fuses from Schneider Electric, refer to Section 5 Maintenance beginning on page 103. Consult the factory for the ampacity of other fuses.

**Table 28: Maximum Power Fuse Ampacity for Controllers with Fusible Switch Disconnect (22F)**

hp	208 V	230 V	460 V	575 V
3	15	—	—	—
5	25	30	—	—
7.5	40	35	—	—
10	50	45	20	—
15	80	70	35	25
20	100	90	45	35
25	125	110	60	45
30	150	125	70	50
40	200	175	90	70
50	250	225	110	90
60	250	250	125	100
75	350	300	150	125
100	450	400	200	150
125	600	500	250	200
150	600 <sup>1</sup>	600	300	250
200	—	600 <sup>1</sup>	400	300
250	—	—	500	400
300	—	—	600	500
350	—	—	600	500
400	—	—	600 <sup>1</sup>	600
500	—	—	—	600 <sup>1</sup>

<sup>1</sup> Selection valid for UL Type 1 and Type 12 enclosures only. Not valid for 50 °C (122 °F) rated enclosures.

**Table 29: Supplied UL Class J Fuse Base Current Rating for Controllers with Fusible Switch Disconnect (22F)**

hp	208 V	230 V	460 V	575 V
3	30	—	—	—
5	30	30	—	—
7.5	60	60	—	—
10	60	60	30	—
15	100	100	60	30
20	100	100	60	60
25	200	200	60	60
30	200	200	100	60
40	200	200	100	100
50	400	400	200	100
60	400	400	200	100
75	400	400	200	200
100	600	400	200	200
125	600	600	400	200
150	600 <sup>1</sup>	600	400	400
250	—	600 <sup>1</sup>	400	400
250	—	—	600	400
300	—	—	600	600
350	—	—	600	600
400	—	—	600 <sup>1</sup>	600
500	—	—	—	600 <sup>1</sup>

<sup>1</sup> Selection valid for UL Type 1 and Type 12 enclosures only. Not valid for 50° C (122 °F) rated enclosures.

## Overload Relay Adjustment

Always verify that the overload relay setting does not exceed the motor full load current or rated controller current found on the Enclosed 22 nameplate, whichever is less.

Tables 30 and 31 provide the adjustment ranges for overload relays according to horsepower rating and voltage. Contact the factory if the adjustment ranges do not meet the intended application.

**Table 30: Overload Relay Adjustment Ranges for Full-Voltage Bypass Operation, UL Type 1 and Type 12**

hp	208 V	230 V	460 V	575 V
3	9–13	—	—	—
5	12–18	12–18	—	—
7.5	23–28	16–24	—	—
10	23–32	25–32	12–18	—
15	37–50	37–50	16–24	12–18
20	48–65	48–65	23–28	17–25
25	60–100	55–70	30–40	23–32
30	60–100	60–100	30–40	30–40
40	90–150	90–150	48–65	37–50
50	90–150	90–150	55–70	48–65

*Continued on next page*

**Table 30: Overload Relay Adjustment Ranges for Full-Voltage Bypass Operation, UL Type 1 and Type 12 (continued)**

hp	208 V	230 V	460 V	575 V
60	132–220	132–220	60–100	48–65
75	200–330	132–220	60–100	60–100
100	200–330	200–330	90–150	90–150
125	300–500	200–330	132–220	90–150
150	300–500	300–500	132–220	132–220
200	—	380–630	200–330	132–220
250	—	—	200–330	200–330
300	—	—	300–500	200–330
350	—	—	300–500	—
400	—	—	380–630	300–500
500	—	—	—	380–630

**Table 31: Overload Relay Adjustment Ranges for Full-Voltage Bypass Operation, UL Type 3R and 50 °C (122 °F)**

hp	208 V	230 V	460 V	575 V
3	9–13	—	—	—
5	12–18	12–18	—	—
7.5	17–25	16–24	—	—
10	23–32	23–32	12–18	—
15	37–50	37–50	16–24	12–18
20	48–65	48–65	23–28	17–25
25	60–100	60–100	30–40	23–32
30	60–100	60–100	30–40	30–40
40	90–150	90–150	48–65	37–50
50	132–220	90–150	60–100	48–65
60	132–220	132–220	60–100	48–65
75	200–330	132–220	60–100	60–100
100	200–330	200–330	90–150	90–150
125	300–500	200–330	132–220	90–150
150	—	300–500	132–220	132–220
200	—	—	200–330	132–220
250	—	—	200–330	200–330
300	—	—	200–330	200–330
350	—	—	300–500	300–500
400	—	—	—	300–500



## Section 4—Circuit Descriptions

### Precautions

#### **⚠ DANGER**

##### **HAZARD OF ELECTRIC SHOCK, EXPLOSION, OR ARC FLASH**

Read and understand the precautions in “Before You Begin” starting on page 8 before performing the procedures in this section.

**Failure to follow these instructions will result in death or serious injury.**

#### **⚠ DANGER**

##### **UNINTENDED EQUIPMENT OPERATION**

Before operating the Enclosed 22 controller:

- Read and understand the *ATS22 User Manual*, BBV51330, before changing any parameters from the factory defaults. Refer to Table 25 on page 76 for parameter settings.
- If the ATS22 soft starter is re-initialized using the total or partial factory setting function, the soft starter must be reprogrammed to the values listed in Table 25 on page 76.
- If the soft starter or the main control board of the soft starter is replaced, the soft starter must be reprogrammed to the values listed in Table 25 on page 76.

**Failure to follow these instructions can result in death, or serious injury.**

### Power Circuit B: Basic Shunt Trip

The basic shunt trip power circuit is a space optimized version of the Enclosed 22 controller. Limited space is provided for field mountable control equipment.

If a fault is detected, a shunt trip coil in the circuit breaker trips the breaker, removing all power on the load side of the disconnect. After all detected fault conditions are cleared, the disconnect must be reset before restarting is permitted. The shunt trip function is coordinated by a time delay relay (time set for 2 seconds) signaled from the trip annunciation relay.

### Power Circuit S: Full-Featured Shunt Trip

The full-featured shunt trip power circuit is a fully customizable version of the Enclosed 22 controller. Additional space is provided for engineered to order options and field installable equipment.

If a fault is detected, a shunt trip coil in the circuit breaker trips the breaker, removing all power on the load side of the disconnect. After all detected fault conditions are cleared, the disconnect must be reset before restarting is permitted. The shunt trip function is coordinated by a time delay relay (time set for 2 seconds) signaled from the trip annunciation relay.

## Power Circuit N: Non-Reversing Isolation

The non-reversing power circuit provides a line isolation contactor ahead of the ATS22 softstarter when the starter is not in operation, protecting the starter from potentially hazardous power system transients induced by lightning or capacitor switching. Additional space is provided for engineered-to-order options and field-installable equipment.

On application of power, the softstarter is supplied control power. Mains power remains isolated from the softstarter until a run command is applied, at which time the isolation contactor closes and motor starting begins. In the event of a detected fault, or if the run command is removed, the isolation contactor opens.

**NOTE:** If a soft stop is programmed, the isolation contactor will remain closed until the end of the soft stop ramp time.

## Power Circuit R: Reversing Operation

The reversing power circuit provides a line isolation contactor ahead of the ATS22 softstarter when the starter is not in operation, protecting the starter from potentially hazardous power system transients induced by lightning or capacitor switching. Additionally, integral reversing contactors allow for selection of motor operation in either forward or reverse direction.

On application of power, the softstarter is supplied control power. Mains power remains isolated from the softstarter until the directional selector switch is turned to forward or reverse, at which time the line side contactor closes and motor starting begins. In the event of a detected fault, or if the switch is turned to off, the line side contactor opens.

An intentional start delay of 15 seconds is factory set. When reversing motor direction, place the switch in the off position until the motor comes to a complete stop, then to the desired direction.

**NOTE:** Soft-stop functionality is not recommended in the reversing power circuit. Line isolation is provided when the run command is removed. Auto mode operation is not recommended.

## Power Circuit Y: Isolation with Integral Full-Voltage Bypass

The Isolation with integral full-voltage bypass power circuit provides the same functionality as power circuit N described above. In addition, an integral full voltage bypass starter is provided in the unlikely condition that the starter becomes inoperable.

The integral full-voltage bypass starter includes a Class 20 bi-metallic or solid-state overload relay and door-mounted overload relay reset button.

**NOTE:** Switching between *Normal* mode and *Bypass* mode without allowing the motor to come to a complete stop is not recommended.

## UL Type 3R Operation

To prevent condensation on the inside of the cabinet, leave the mains power energized even when the motor is not running.

## Control Options

### Mod A06: Start-Stop Pushbuttons

Mod A06 provides a door-mounted, black Start pushbutton and a door-mounted, red Stop pushbutton for operating the controller locally (3-wire control scheme).

- The Start pushbutton commands the controller to start the motor.
- The Stop pushbutton commands the controller to stop the motor by freewheel stop (factory setting) or by deceleration ramp.

### Mod B06: Forward-Off-Reverse Selector Switch

Mod B06 provides a door-mounted Forward-Off-Reverse selector switch for operating the controller (2-wire control scheme).

- Forward and Reverse modes are for directional control of the motors attached to applications requiring rotation in both directions. When the switch is moved to either position, the controller starts the motor in the selected direction.
- Off mode commands the controller to stop the motor by freewheel stop. Programming the soft-stop function is not recommended as the attempt to softstop will trip the controller.

Always allow the motor to come to a complete stop before changing rotational direction.

### Mod C06: Hand-Off-Auto Selector Switch

Mod C06 provides a door-mounted Hand-Off-Auto selector switch for operating the controller (2-wire control scheme).

- Hand mode is for local control. When Hand mode is selected, the controller starts the motor.
- Off mode commands the controller to stop the motor by freewheel stop (factory setting) or by deceleration ramp.
- Auto mode is for remote control. In Auto mode, the controller starts the motor when the user-supplied Start contact is closed between controller terminals 5 and 6. The controller stops the motor when the user-supplied Start contact is opened. See Table 23 on page 70.

### Mod D06: Stop-Run Selector Switch

Mod D06 provides a door-mounted Stop-Run selector switch for operating the controller (2-wire control scheme).

- Run mode commands the controller to start the motor.
- Stop mode commands the controller to stop the motor by freewheel stop (factory setting) or by deceleration ramp.

### Mod E06: Hand-Auto Selector Switch and Start-Stop Pushbuttons

Mod E06 provides a door-mounted, black Hand-Auto selector switch, a Start pushbutton, and a Stop pushbutton (mixed mode control scheme).

- Hand mode is for local control. In Hand mode:
  - The Start pushbutton commands the controller to start the motor.
  - The Stop pushbutton commands the controller to stop the motor by freewheel stop (factory setting) or by deceleration ramp.
- Auto mode is for remote control. In Auto mode, the controller starts the motor when the user-supplied Start contact is closed between controller

terminals 5 and 6. The controller stops the motor when the user-supplied Start contact is opened. See Table 23 on page 70. In auto mode:

- The Start pushbutton **does not** command the controller to start the motor locally.
- The Stop pushbutton does not command the controller to stop. To stop the controller, remove the auto-mode start command or turn off the mains disconnect switch.

## No Control Operators

No door-mounted control operators provided. Omit a control option selection when ordering to receive no operators.



## Pilot Light Cluster Options

### Mod A07: Pilot Light Cluster #1

Mod A07 provides red Run (On) and green Off pilot lights for status annunciation.

### Mod B07: Pilot Light Cluster #2

Mod B07 provides red Run (Push-to-Test) and green Off (Push-to-Test) pilot lights for status annunciation.

### Mod C07: Pilot Light Cluster #3

Mod C07 provides red Run (On), green Off, and yellow Trip pilot lights for status annunciation.

### Mod D07: Pilot Light Cluster #4

Mod D07 provides red Run (Push-to-Test), green Off (Push-to-Test), and yellow Trip pilot lights for status annunciation. The yellow Trip pilot light includes pushbutton functionality and also serves as a trip reset for the ATS22 soft starter.

### No Pilot Lights

No door-mounted lights are provided. Omit a pilot light option selection when ordering to receive no lights.

## Metering Options

### Mod B08: Elapsed Run Time Meter

Mod B08 provides a door-mounted elapsed time meter, indicating the number of hours the controller has been running.

## Miscellaneous Options

### Mod A10: Floor Mounting Kit

Mod A10 is provided for Enclosure D and includes a kit for mounting the equipment to the floor or ground.

### Mod B10: 150 VA Control Power

Mod B10 provides additional control power transformer VA capacity to power field-installable equipment and control circuits.

### Mod C10: Power Up On Delay

Mod C10 provides a delayed starting feature. The delay is programmable between one and thirty seconds by adjusting timer ODRT. The factory setting is fifteen seconds.

### Mod D10: Emergency Stop Pushbutton

Mod D10 provides a door-mounted emergency stop pushbutton. When the option is selected, the disconnect is provided with a shunt trip function. Pressing the emergency stop pushbutton will trip the disconnect switch, removing all electrical power from the controller.

**NOTE:** To restore operation, the pushbutton must be pulled out and the disconnect switch must be reset to the Off position and then turned on.

### Mod E10: cUL Label

Mod E10 provides a Canadian Underwriters Laboratories label when required by local code requirements.

## Mod F10: Auxiliary Contact for Run Mode Annunciation

### Power Circuit B05

Mod F10 provides one Form A normally open (N.O.) contact, rated 5 A at 120 Vac, wired to the terminal blocks. The contact(s) change state when the controller is applying power to the motor.

### Power Circuits S05, N05, R05, and Y05

Mod F10 provides one Form C set of contacts, rated 5 A at 120 Vac, wired to the terminal blocks. The contact(s) change state when the controller is applying power to the motor.

## Mod G10: Auxiliary Contact for Bypass Run Indication

Mod G10 provides one Form C contact, rated 5 A at 120 Vac, to the terminal blocks. The contact closes when the controller is applying power to the motor.

## Mod H10: Auxiliary Contact for Auto Mode Annunciation

**NOTE:** MOD C06 (Hand-Off-Auto Selector Switch) or E06 (Hand-Auto Selector Switch) must be specified with Mod H10.

### Power Circuit B05

Mod H10 provides one Form A, normally open (N.O.) contact, rated 5 A at 120 Vac, wired to the terminal blocks. The contact(s) change state when the controller is placed in Auto (remote) mode.

### Power Circuits S05, N05, and Y05

Mod H10 provides one Form C set of contacts, rated 5 A at 120 Vac, wired to the terminal blocks. The contact(s) change state when the controller is placed in Auto (remote) mode. Auto mode operation is not recommended for reversing applications so this option is not provided for power circuit R05.

## Mod J10: Auxiliary Contact for Trip Condition Annunciation

### Power Circuit B05

Mod J10 provides one Form A, normally open (N.O.) contact, rated 5 A at 120 Vac, wired to the terminal blocks. The contact(s) change state when the controller detects a fault or trips.

### Power Circuits S05, N05, R05, and Y05

Mod J10 provides one Form C set of contacts, rated 5 A at 120 Vac, wired to the terminal blocks. The contact(s) change state when the controller detects a fault or trips.

## Mod L10: Customer Engraved Nameplates

Mod L10 provides custom engraved nameplates for the controller, identifying the equipment or the equipment that it controls. Engraving information must be provided when the order is placed.

## Mod M10: Ten Additional Unwired Terminal Points

Mod M10 provides an additional ten unwired control terminals for wiring and interfacing field-installable equipment. The terminals are rated 5 A at 250 Vac.

## Mod P10: Permanent Wire Markers

Mod P10 provides shrink-wrapped control wire markers for identifying and troubleshooting control circuits.

## Mod R10: Transient Voltage Surge Protection

Mod R10 provides an integrated supplementary voltage surge protective device to protect equipment from transient voltage surges associated with some electrical power distribution systems.

### **Mod U10: Omit Door-Mounted Keypad Display**

Mod U10 omits the door-mounted keypad display. A keypad closing plate and gasket are provided on the door. See “Programming Access with Omit Keypad Option (U10) or UL Type 3R Enclosure (H03)” on page 76. To program or control the ATS22 soft starter with Modbus communication, refer to the *ATS22 User Manual*, BBV51330.

### **Mod X10: 50 °C Operation**

Mod X10 provides a high ambient equipment rating above 40 °C (104 °F) to a maximum of 50 °C (122 °F) without derating.

**NOTE:** The 50 °C rating is standard on all UL Type 3R (H03) enclosures.

### **Mod Z10: Service Entrance Rating**

Mod Z10 provides a UL869A approved insulated ground neutral lug assembly and mounting bracket with a bonded enclosure ground wire suitable for use as service entrance rated equipment. Service Entrance Rating is not available with Mod E10 (cUL Label).

### **Mod Y10: Seismic Qualified**

Mod Y10 provides a certification label indicating that the enclosure is qualified with seismic rating AC156 acceptance criteria test protocol with an importance factor of 1.5. Refer to “Seismic Qualification Mounting Criteria” on page 32.

### **Mod 610: High Interrupting Rating**

Mod 610 provides a high interrupting rating for size E and G Enclosed 22 controllers with circuit breaker disconnection (22U). Standard short circuit ratings are 65 kA @ 460 V and 25 kA @ 575 V. Selecting these ratings increases the short circuit current rating to 100 kA @ 460 V or 50 kA @ 575 V. The option is not valid with magnetic only (22T) or fusible (22F) disconnect types. These disconnect types are provided with high interrupting rating by default.

### **Mod 910: ARRA Option**

Select Mod 910 to comply with requirements of the American Recovery and Reinvestment Act (ARRA) of 2009 (Pub.L. 111-5). Equipment will be assembled in the U.S.

Figure 43: Power Circuit B05 Control Elementary Diagram, Mod A06, Start-Stop Pushbuttons

**NOTE:** Elementary diagrams are provided for reference only. Selection of pilot devices, control options, metering, and miscellaneous options may result in differences to the control circuit elementary diagram and operation. Always refer to the documentation provided with the equipment for specific options and requested modification. See page 102 for additional information.

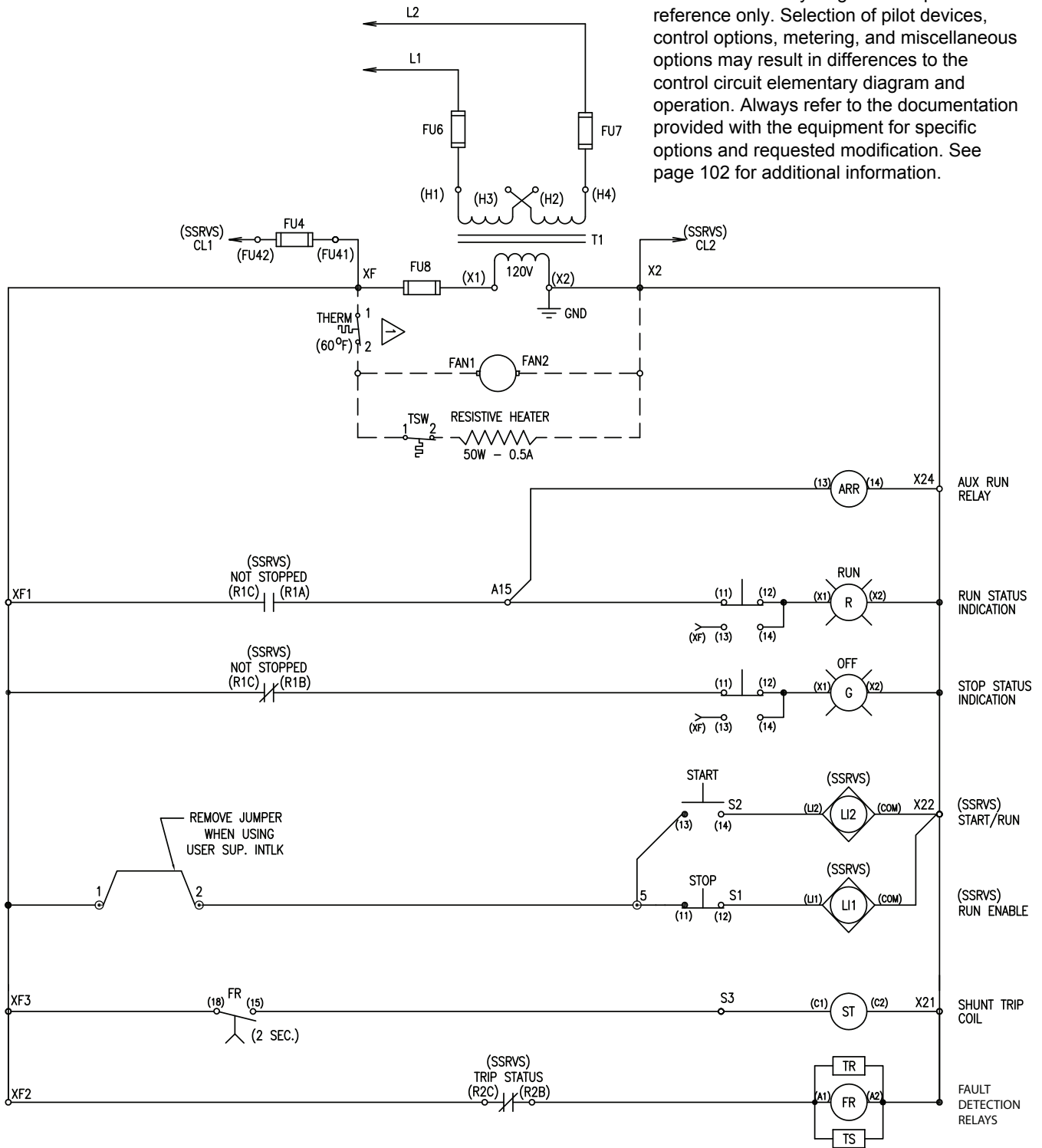


Figure 44: Power Circuit B05 Control Elementary Diagram, Mod C06, Hand-Off-Auto Selector Switch

**NOTE:** Elementary diagrams are provided for reference only. Selection of pilot devices, control options, metering, and miscellaneous options may result in differences to the control circuit elementary diagram and operation. Always refer to the documentation provided with the equipment for specific options and requested modification. See page 102 for additional information.

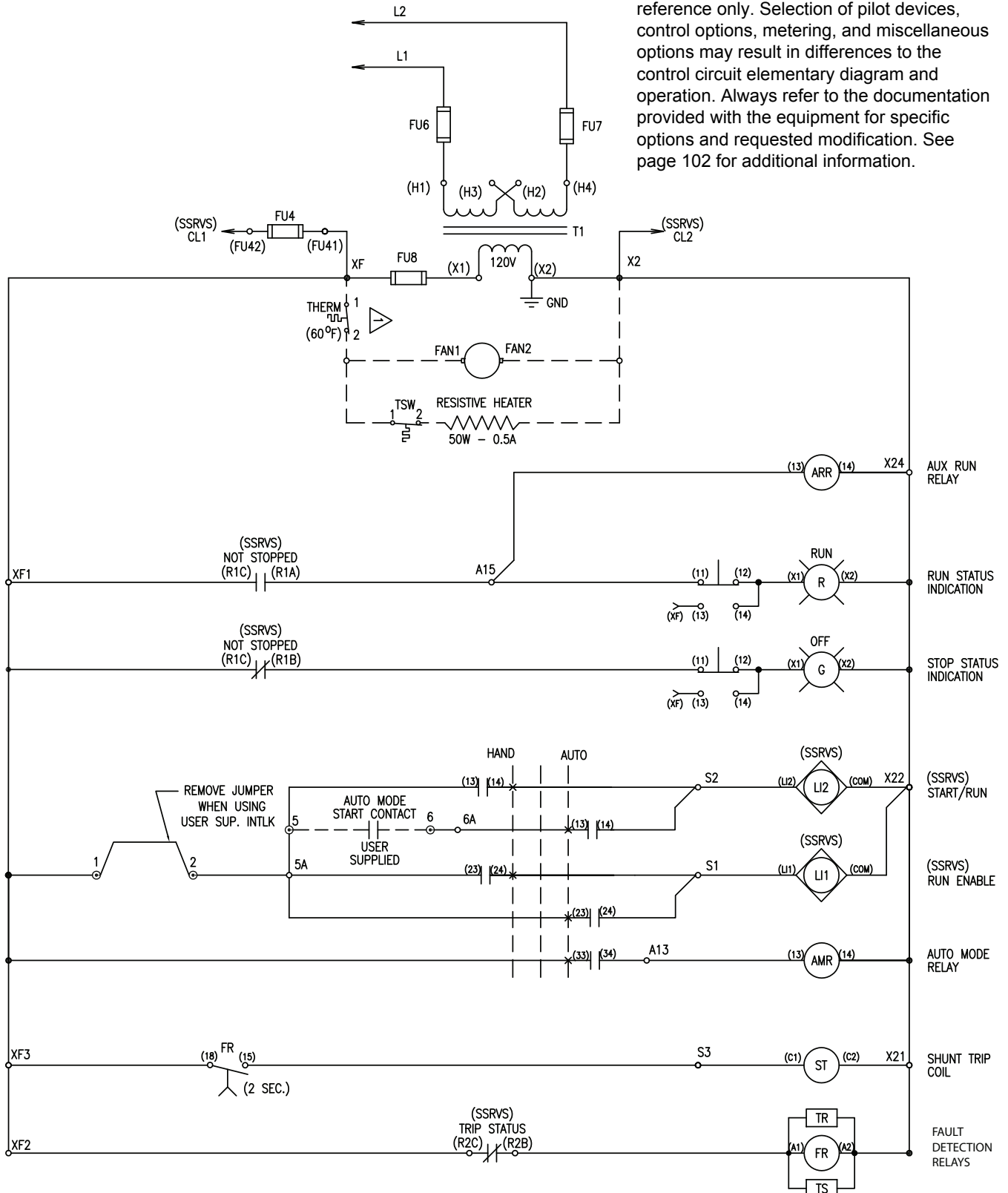


Figure 45: Power Circuit B05 Control Elementary Diagram, Mod D06, Stop-Run Selector Switch

**NOTE:** Elementary diagrams are provided for reference only. Selection of pilot devices, control options, metering, and miscellaneous options may result in differences to the control circuit elementary diagram and operation. Always refer to the documentation provided with the equipment for specific options and requested modification. See page 102 for additional information.

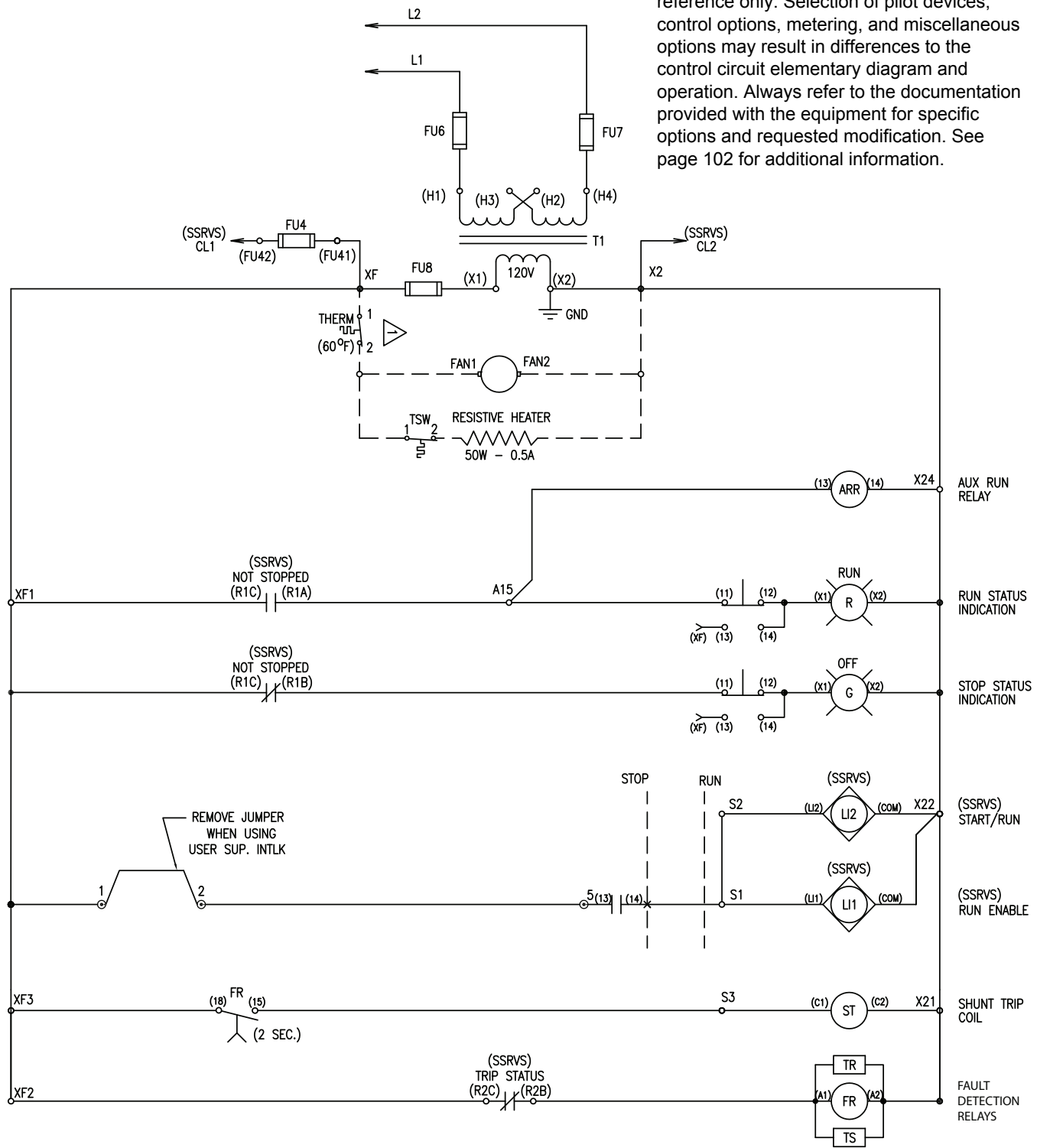


Figure 46: Power Circuit B05 Control Elementary Diagram, Mod E06, Hand-Auto Selector Switch and Start-Stop Pushbuttons

ENGLISH

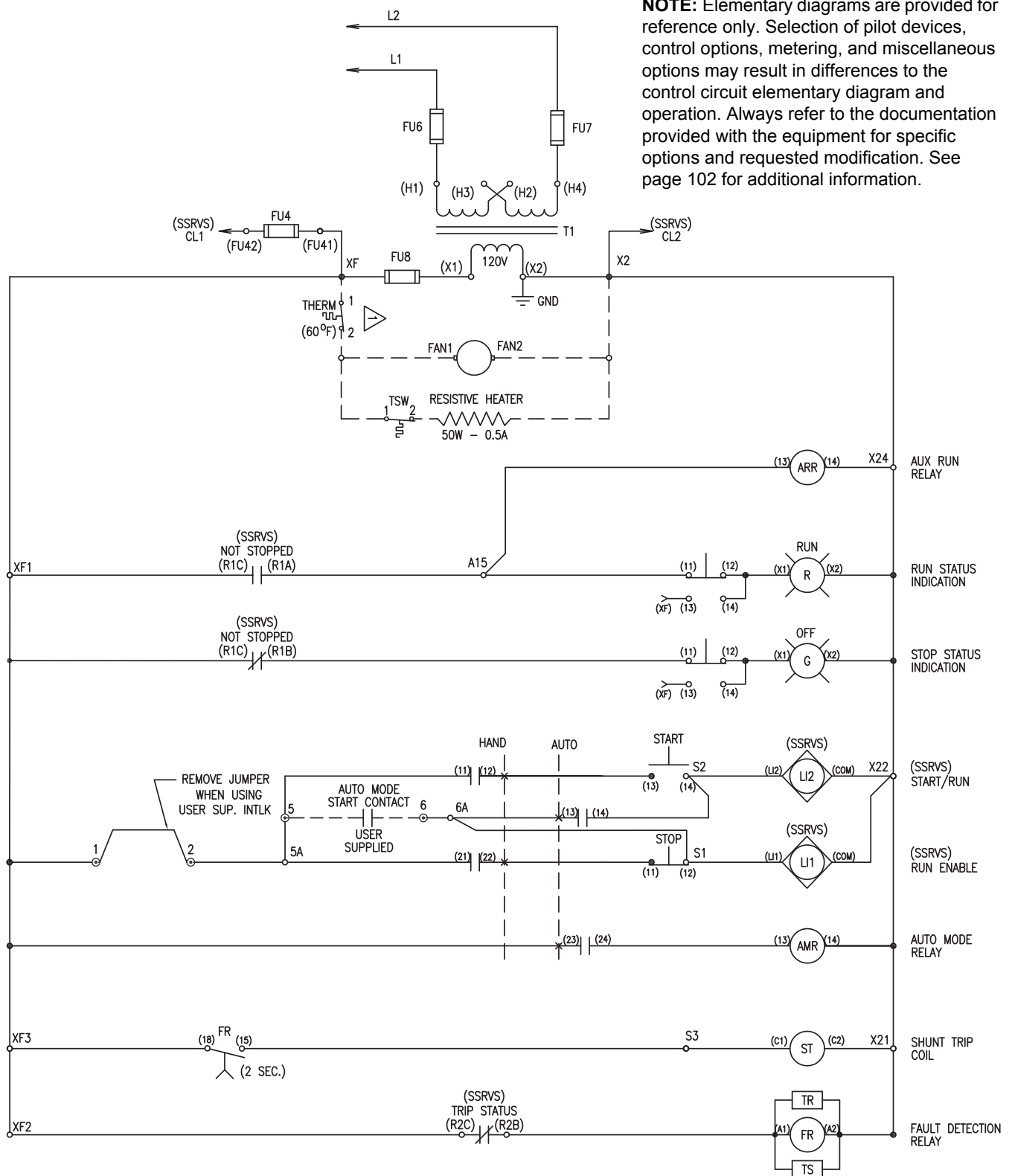


Figure 47: Power Circuit B05 Control Elementary Diagram without Operator Controls

**NOTE:** Elementary diagrams are provided for reference only. Selection of pilot devices, control options, metering, and miscellaneous options may result in differences to the control circuit elementary diagram and operation. Always refer to the documentation provided with the equipment for specific options and requested modification. See page 102 for additional information.

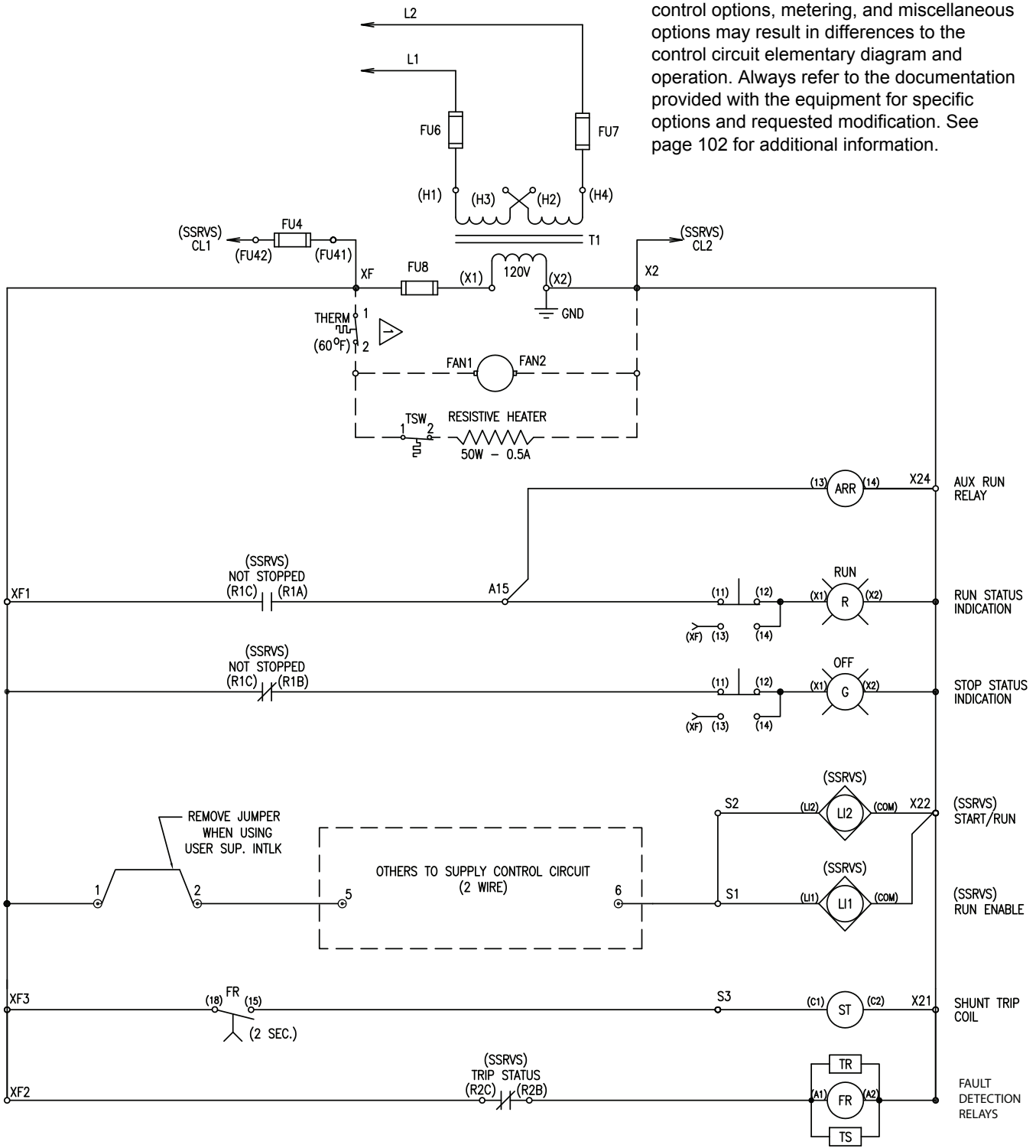
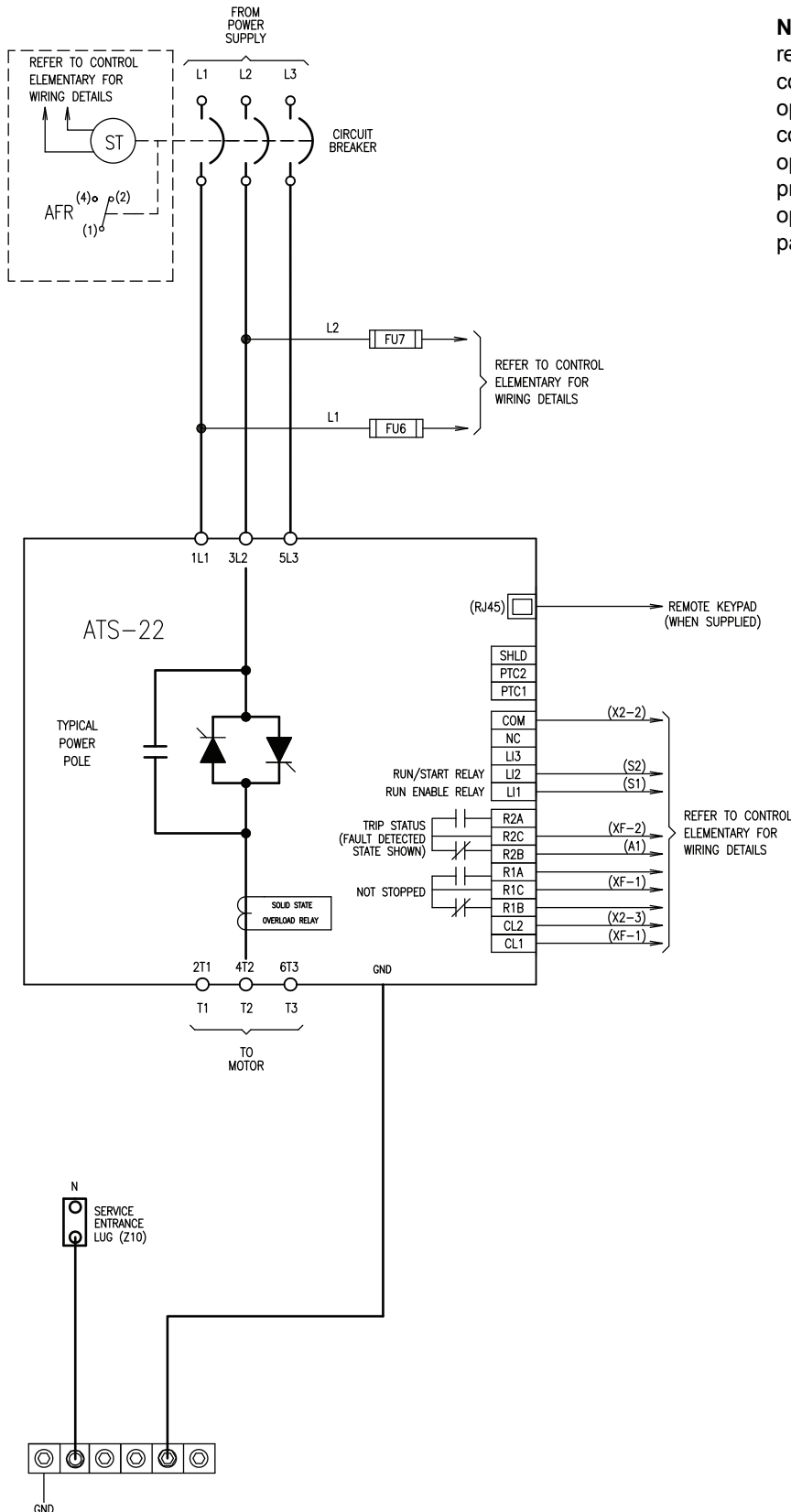




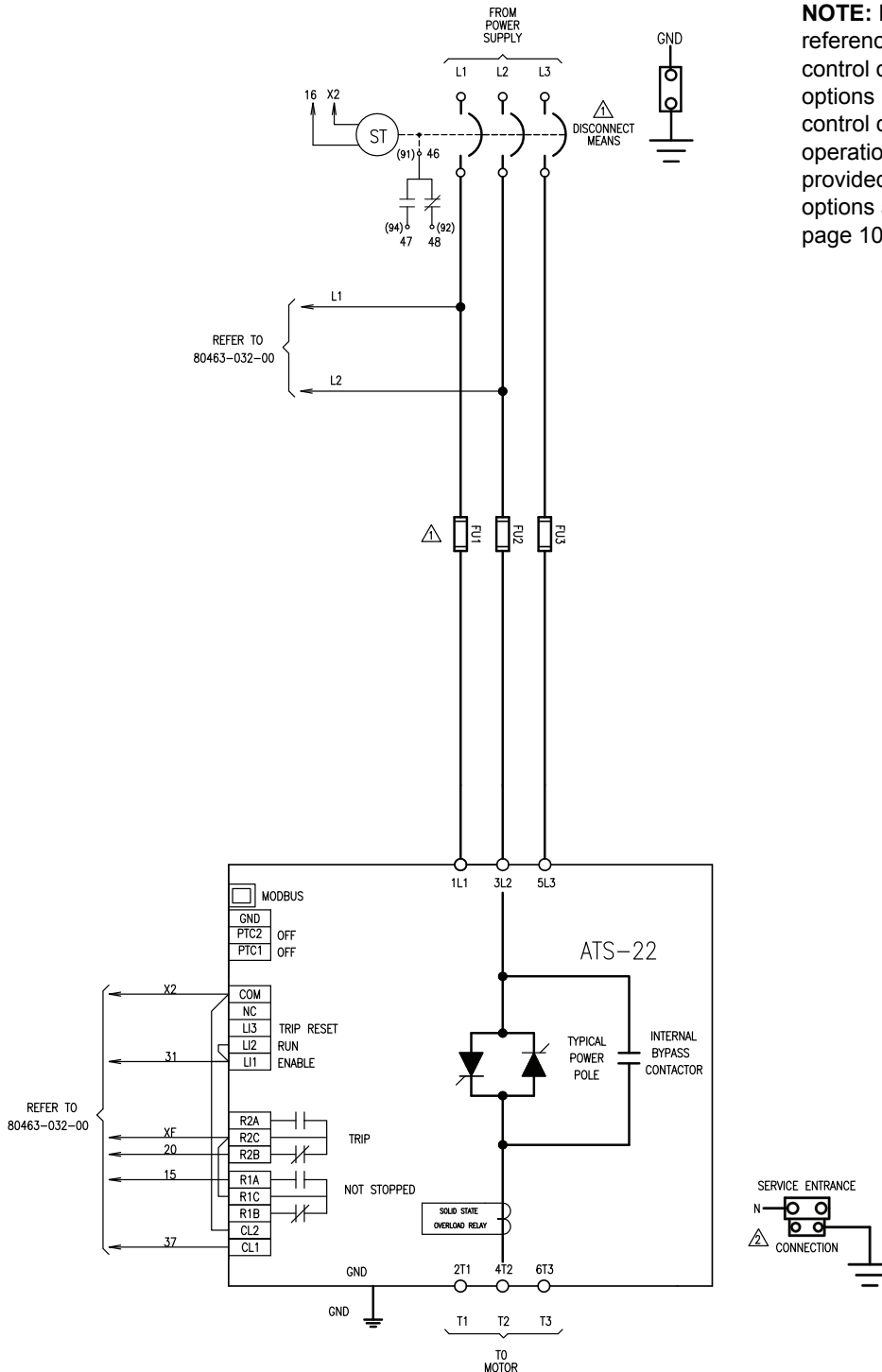
Figure 48: Power Circuit B05 Power Elementary Diagram



**NOTE:** Elementary diagrams are provided for reference only. Selection of pilot devices, control options, metering, and miscellaneous options may result in differences to the control circuit elementary diagram and operation. Always refer to the documentation provided with the equipment for specific options and requested modification. See page 102 for additional information.

ENGLISH

Figure 49: Power Circuit S05 Power Elementary Diagram



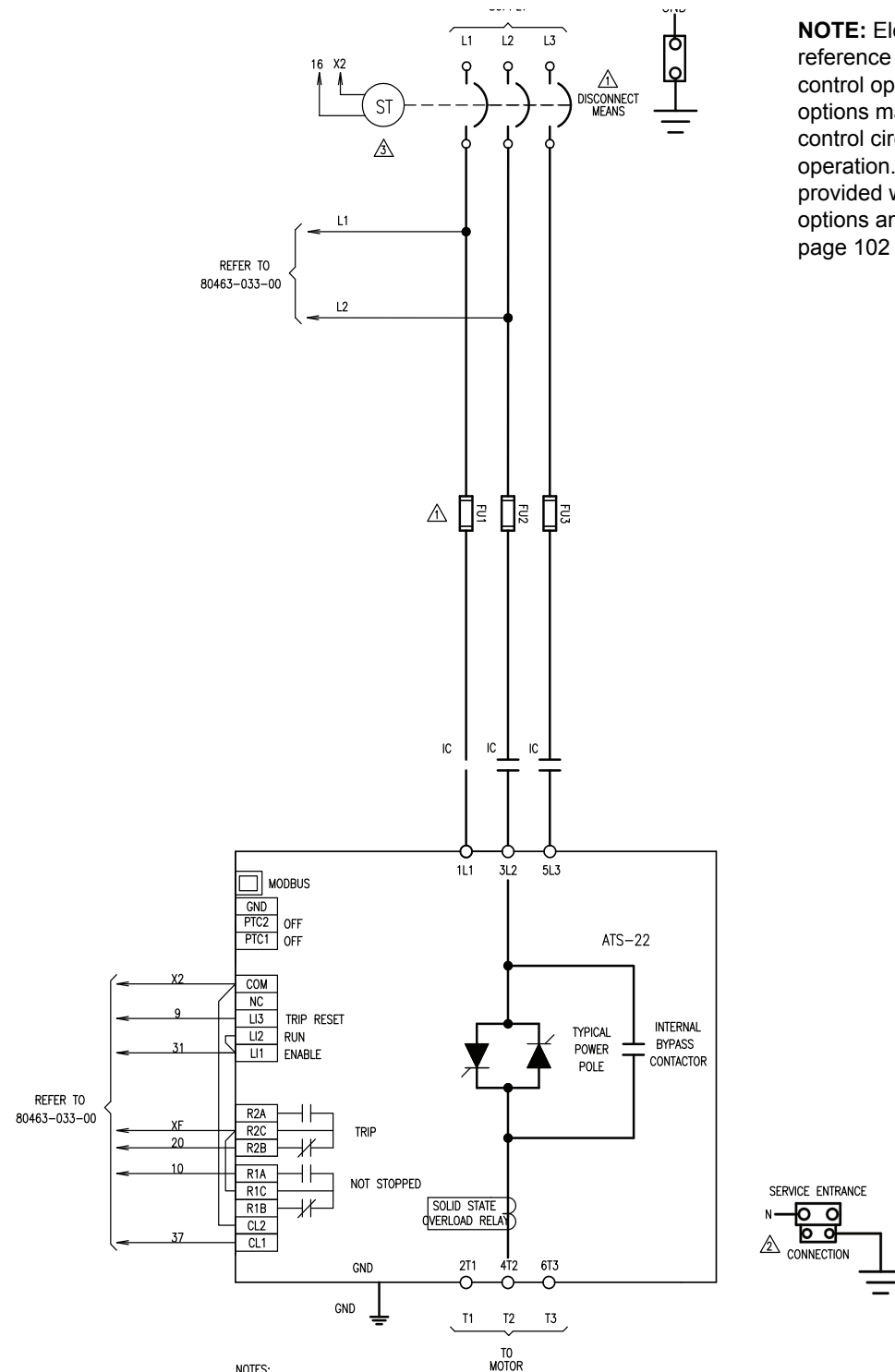
**NOTE:** Elementary diagrams are provided for reference only. Selection of pilot devices, control options, metering, and miscellaneous options may result in differences to the control circuit elementary diagram and operation. Always refer to the documentation provided with the equipment for specific options and requested modification. See page 102 for additional information.

**NOTES:**

- ⚠ CLASS 8638 DEVICE SHOWN. DISCONNECT MEANS IS A MOLDED CASE SWITCH, AND FUSES FU1, FU2 AND FU3 ARE USER SUPPLIED. FUSE HOLDERS ARE CLASS J.
- FOR THE CLASS 8639 DEVICE THE DISCONNECT MEANS IS A CIRCUIT BREAKER, AND THE FUSE HOLDERS FOR FU1, FU2 AND FU3 ARE NOT SUPPLIED.

- ⚡ SERVICE ENTRANCE PROVIDED WITH OPTION Z10.

Figure 50: Power Circuit N05 Power Elementary Diagram



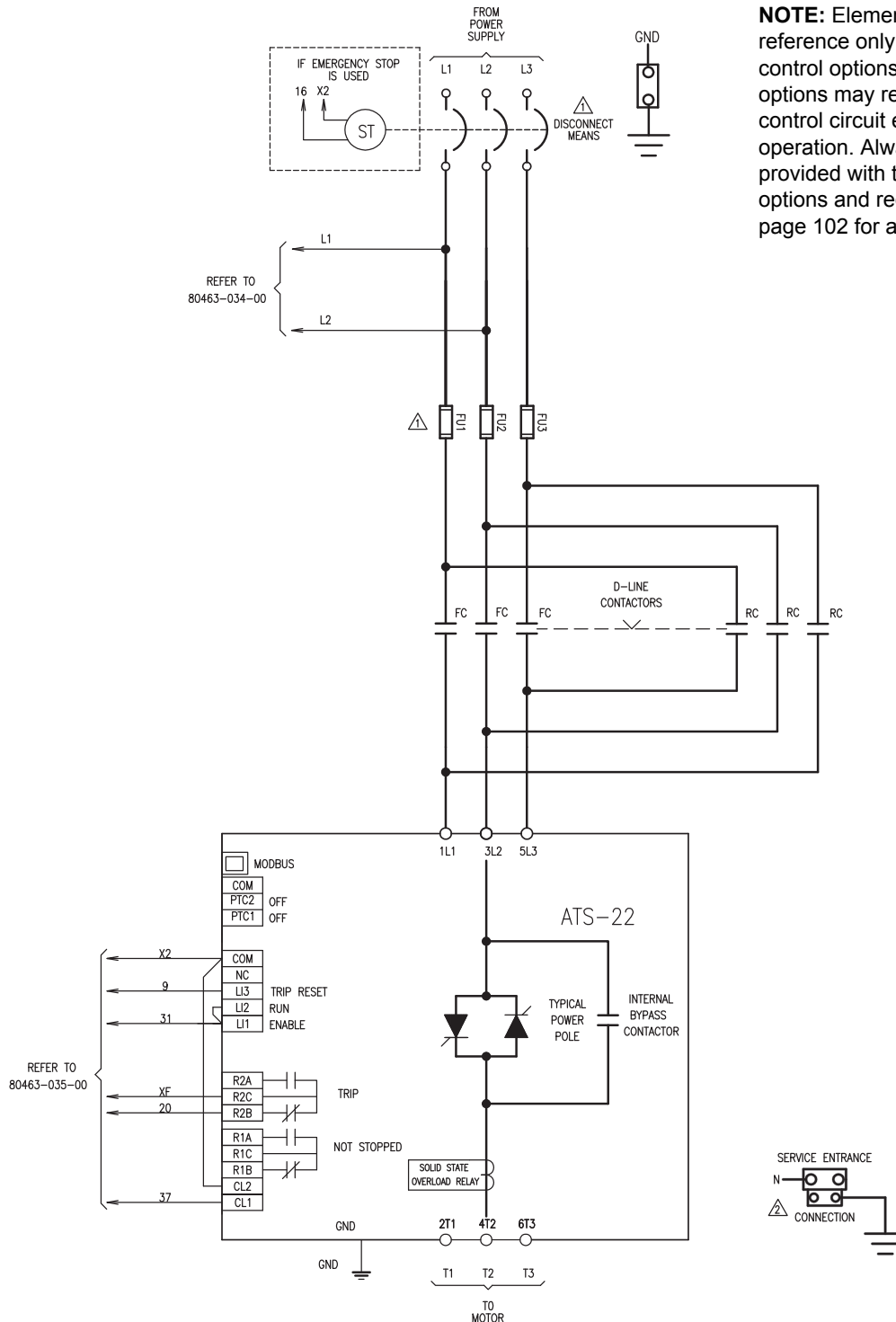
**NOTE:** Elementary diagrams are provided for reference only. Selection of pilot devices, control options, metering, and miscellaneous options may result in differences to the control circuit elementary diagram and operation. Always refer to the documentation provided with the equipment for specific options and requested modification. See page 102 for additional information.

ENGLISH

**NOTES:**

- ⚠ CLASS 8638 DEVICE SHOWN. DISCONNECT MEANS IS A MOLDED CASE SWITCH, AND FUSES FU1, FU2 AND FU3 ARE USER SUPPLIED. FUSE HOLDERS ARE CLASS J.
- ⚠ FOR THE CLASS 8639 DEVICE THE DISCONNECT MEANS IS A CIRCUIT BREAKER, AND THE FUSE HOLDERS FOR FU1, FU2 AND FU3 ARE NOT SUPPLIED.
- ⚠ SERVICE ENTRANCE PROVIDED WHEN OPTION Z10, SERVICE ENTRANCE, IS ORDERED.
- ⚠ SHUNT TRIP MODULE INSTALLED WITH OPTION D10, EMERGENCY STOP, IS ORDERED.

Figure 51: Power Circuit R05 Power Elementary Diagram

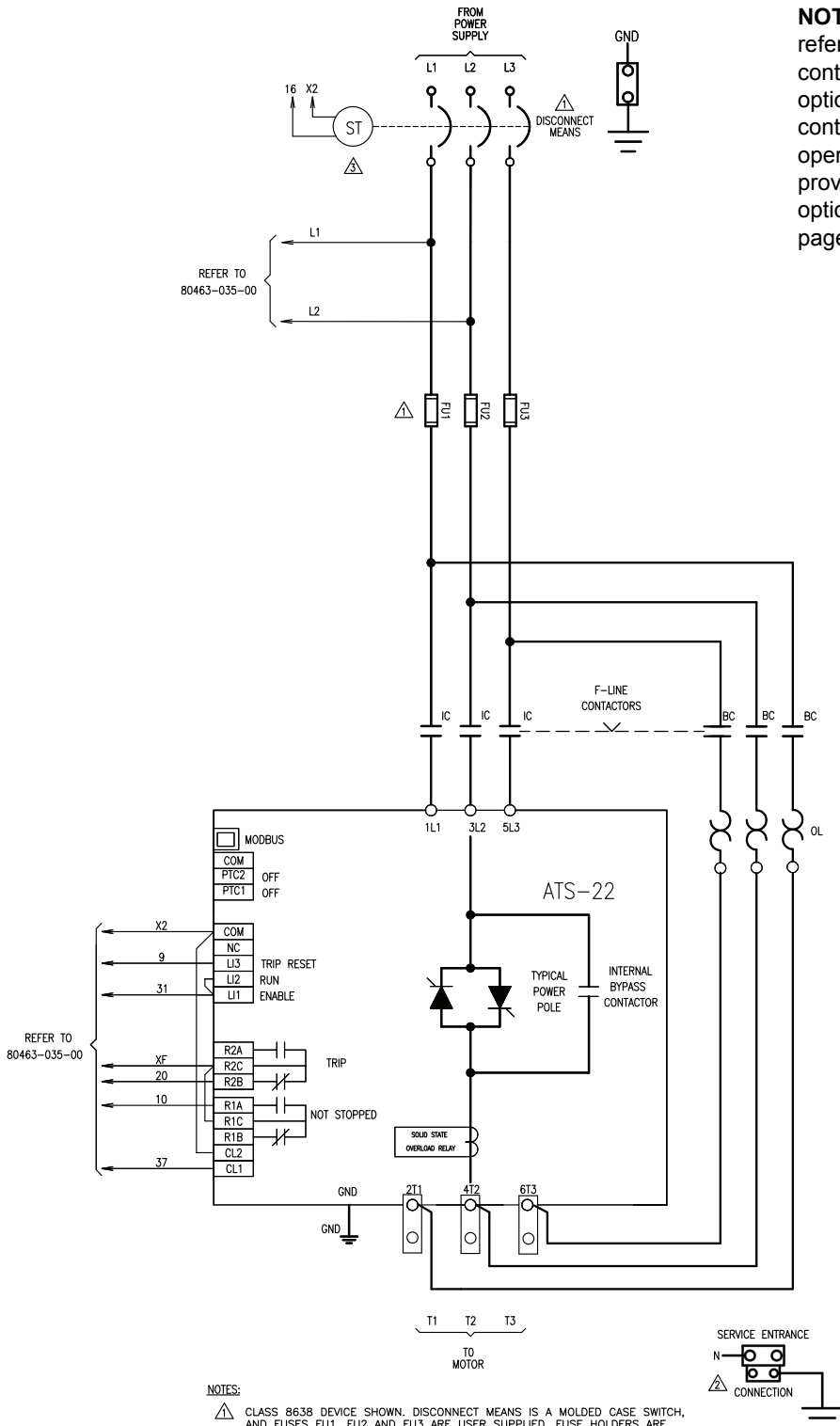


**NOTE:** Elementary diagrams are provided for reference only. Selection of pilot devices, control options, metering, and miscellaneous options may result in differences to the control circuit elementary diagram and operation. Always refer to the documentation provided with the equipment for specific options and requested modification. See page 102 for additional information.

**NOTES:**

- ⚠ CLASS 8638 DEVICE SHOWN. DISCONNECT MEANS IS A MOLDED CASE SWITCH, AND FUSES FU1, FU2 AND FU3 ARE USER SUPPLIED. FUSE HOLDERS ARE CLASS J.
- FOR THE CLASS 8639 DEVICE THE DISCONNECT MEANS IS A CIRCUIT BREAKER, AND THE FUSE HOLDERS FOR FU1, FU2 AND FU3 ARE NOT SUPPLIED.
- ⚠ SERVICE ENTRANCE PROVIDED WHEN OPTION Z10, SERVICE ENTRANCE, IS ORDERED.
- ⚠ SHUNT TRIP MODULE INSTALLED WITH OPTION D10, EMERGENCY STOP, IS ORDERED.

Figure 52: Power Circuit Y05 Power Elementary Diagram



**NOTE:** Elementary diagrams are provided for reference only. Selection of pilot devices, control options, metering, and miscellaneous options may result in differences to the control circuit elementary diagram and operation. Always refer to the documentation provided with the equipment for specific options and requested modification. See page 102 for additional information.

- NOTES:**
- ⚠ CLASS 8638 DEVICE SHOWN. DISCONNECT MEANS IS A MOLDED CASE SWITCH, AND FUSES FU1, FU2 AND FU3 ARE USER SUPPLIED. FUSE HOLDERS ARE CLASS J.
  - ⚠ FOR THE CLASS 8639 DEVICE THE DISCONNECT MEANS IS A CIRCUIT BREAKER, AND THE FUSE HOLDERS FOR FU1, FU2 AND FU3 ARE NOT SUPPLIED.
  - ⚠ SERVICE ENTRANCE PROVIDED WHEN OPTION Z10, SERVICE ENTRANCE, IS ORDERED.
  - ⚠ SHUNT TRIP MODULE INSTALLED WITH OPTION D10, EMERGENCY STOP, IS ORDERED.

ENGLISH

## Engineered To Order Electrical Diagrams

For power circuits S05, N05, R05 and Y05, refer to the documentation included with the controller for specific wiring diagrams and the options provided. The power circuit figures provided in this manual are for reference only.

Contact the factory for additional copies of documentation for engineered to order options. Refer to the Technical Support section on page 105.

## Section 5—Maintenance

### Precautions

Before replacing any parts in the Enclosed 22 controller, read and observe the following safety messages and all other safety messages provided in this bulletin.

#### **⚠ DANGER**

##### **HAZARD OF ELECTRIC SHOCK, EXPLOSION, OR ARC FLASH**

- Read and understand this instruction bulletin before installing or operating the Enclosed 22 controller. Installation, adjustment, repair, and maintenance must be performed by qualified personnel.
- The user is responsible for compliance with all national and local electrical code requirements with respect to grounding of all equipment.
- Many parts of this controller, including the printed circuit boards, operate at the line voltage. **DO NOT TOUCH.** Use only electrically insulated tools.
- Some terminals have voltage on them when the disconnect is open.
- Before servicing the controller:
  - Disconnect all power including external control power that may be present before servicing the controller.
  - Place a “DO NOT TURN ON” label on the disconnect.
  - Lock the disconnect in the open position.
- Install and close all covers and doors before applying power or starting and stopping the controller.

**Failure to follow these instructions will result in death or serious injury.**

#### **⚠ DANGER**

##### **HAZARD OF ELECTRIC SHOCK, EXPLOSION, OR ARC FLASH**

- Apply appropriate personal protective equipment (PPE) and follow safe electrical work practices. See NFPA 70E.
- This equipment must only be installed and serviced only by qualified electrical personnel.
- Turn off all power supplying this equipment before working on or inside the equipment.
- Always use a properly rated voltage sensing device to confirm that the power is off.
- Replace all devices, doors, and covers before turning on the power to this equipment.

**Failure to follow these instructions will result in death or serious injury.**

## **⚠ WARNING**

### **LOSS OF CONTROL**

- The designer of any control scheme must consider the potential failure modes of control paths and, for certain critical control functions, provide a means to achieve a safe state during and after a path failure. Examples of critical control functions are emergency stop and overtravel stop.
- Separate or redundant control paths must be provided for critical control functions.
- System control paths may include communication links. Consideration must be given to the implications of anticipated transmission delays or failures of the link<sup>1</sup>.
- Each implementation of an Enclosed 22 controller must be individually and thoroughly tested for proper operation before being placed into service.

**Failure to follow these instructions can result in death, serious injury, or equipment damage.**

<sup>1</sup> For additional information, refer to NEMA ICS 1.1 (latest edition), "Safety Guidelines for the Application, Installation, and Maintenance of Solid State Control."

## **⚠ CAUTION**

### **INCOMPATIBLE LINE VOLTAGE**

Before turning on and configuring the controller, ensure that the line voltage is compatible with the line voltage range specified on the nameplate. Incompatible line voltage can cause equipment damage.

**Failure to follow these instructions can result in injury or equipment damage.**



## External Signs of Damage

The following are signs of external damage:

- Cracked, charred, or damaged covers or enclosure parts
- Damage to the keypad terminal such as scratches, punctures, burn marks, chemical burns, or moisture in the screen
- Excessive surface temperatures of enclosures and conduits
- Damage to power or control conductors
- Unusual noise or odors from any of the equipment
- Abnormal temperature, humidity, or vibration

If you see any sign of external damage while powering up the equipment, immediately inform operating personnel and assess the risk of leaving the system powered up. Before removing power from the equipment, always consult with the operating personnel responsible for the machinery and process.

## Diagnostic Codes

The keypad terminal displays a number of diagnostic and status codes to indicate the controller's operating and protective circuit functions and to assist with maintenance and troubleshooting. See the troubleshooting sheet on page 106.

## Technical Support

When troubleshooting the Enclosed 22 controller, discuss the symptoms of the reported problems with operating personnel. Ask them to describe the problem, identify when they first observed the problem, and where the problem was seen.

Observe the system and process. Record the motor and peripheral equipment nameplate data on the Enclosed 22 Troubleshooting sheet provided on page 106. Copy this form as needed.

For support and assistance, contact the Drives Product Support Group. The Product Support Group is staffed from 8:00 am until 6:00 pm, Monday through Friday, Eastern time to assist with product selection, start-up, and diagnosis of product or application problems. Emergency phone support is available 24 hours a day, 365 days a year.

Toll free	1-888-778-2733
E-mail	drive.products.support@us.schneider-electric.com
Fax	919-217-6508

## ENCLOSED 22 TROUBLESHOOTING SHEET

When requesting after-sales service, it is important to disclose all conditions under which the equipment currently operates. This will help in diagnosing the system quickly. **Call the Product Support Group at 1-888-778-2733.**

DATE: \_\_\_\_\_  
 CONTACT NAME: \_\_\_\_\_  
 COMPANY: \_\_\_\_\_  
 ADDRESS: \_\_\_\_\_  
 CITY: \_\_\_\_\_  
 STATE: \_\_\_\_\_  
 PHONE: \_\_\_\_\_  
 FAX: \_\_\_\_\_

### CONTROLLER CONFIGURATION

CATALOG NUMBER: \_\_\_\_\_  
 APPLICATION/EQUIPMENT DESIGNATION: \_\_\_\_\_

### MOTOR NAMEPLATE DATA

HORSEPOWER: \_\_\_\_\_ VOLTAGE (3 PHASE): \_\_\_\_\_ FREQUENCY: \_\_\_\_\_ POLES: \_\_\_\_\_ FLA: \_\_\_\_\_  
 SERVICE FACTOR: \_\_\_\_\_ MOTOR INSULATION:  NEW OR  EXISTING  
 MOTOR CABLE TYPE: \_\_\_\_\_ LENGTH IN FEET: \_\_\_\_\_  
 IS MOTOR DESIGNED TO COMPLY WITH NEMA MG-1 PART 31 GUIDELINES?  YES  NO

### POWER SOURCE AND ENVIRONMENT

VOLTAGE BETWEEN: L1 AND L2: \_\_\_\_\_ L2 AND L3: \_\_\_\_\_ L3 AND L1: \_\_\_\_\_  
 SERVICE TRANSFORMER RATING: \_\_\_\_\_ KVA \_\_\_\_\_ % Z FREQUENCY:  60 HZ OR  50 HZ  
 AMBIENT TEMPERATURES: MIN °C (°F) \_\_\_\_\_ MAX °C (°F) \_\_\_\_\_ HUMIDITY: \_\_\_\_\_  
 ALTITUDE IF GREATER THAN 3300 FEET ABOVE SEA LEVEL, SPECIFY: \_\_\_\_\_ FT

### CONTROLLER DETECTED FAULT CODES

<input type="checkbox"/> <b>b P F</b> BYPASS CONTACTOR DETECTED FAULT	<input type="checkbox"/> <b>C F F</b> INVALID CONFIGURATION ON POWER-UP	<input type="checkbox"/> <b>E t F</b> EXTERNAL DETECTED FAULT	<input type="checkbox"/> <b>G r d F</b> GROUND LEAKAGE CURRENT DETECTED FAULT
<input type="checkbox"/> <b>I n F</b> INTERNAL DETECTED FAULT	<input type="checkbox"/> <b>O C F</b> MOTOR OVERCURRENT	<input type="checkbox"/> <b>O H F</b> OVERHEATING DETECTED FAULT	<input type="checkbox"/> <b>O L F</b> MOTOR OVERLOAD
<input type="checkbox"/> <b>O S F</b> OVERVOLTAGE	<input type="checkbox"/> <b>O t F</b> MOTOR OVERTEMPERATURE	<input type="checkbox"/> <b>P H b d</b> PHASE UNBALANCE	<input type="checkbox"/> <b>P H F</b> LOSS OF LINE PHASE
<input type="checkbox"/> <b>P I F</b> PHASE INVERSION	<input type="checkbox"/> <b>t r A P</b> TRAP CODE	<input type="checkbox"/> <b>S C F</b> SHORT CIRCUIT	<input type="checkbox"/> <b>S L F</b> MODBUS TIME OUT
<input type="checkbox"/> <b>S n b F</b> TOO MANY STARTS	<input type="checkbox"/> <b>S S C r</b> SHORTED THYRISTOR / WRONG CONNECTION	<input type="checkbox"/> <b>S t F</b> STARTING TIME DETECTED FAULT	<input type="checkbox"/> <b>t b S</b> TOO MANY STARTS
<input type="checkbox"/> <b>U C F</b> MOTOR UNDERCURRENT	<input type="checkbox"/> <b>U S F</b> UNDERVOLTAGE OR NO VOLTAGE		

### DETAILED DESCRIPTION OF PROBLEM

## ATS22 Fan Replacement

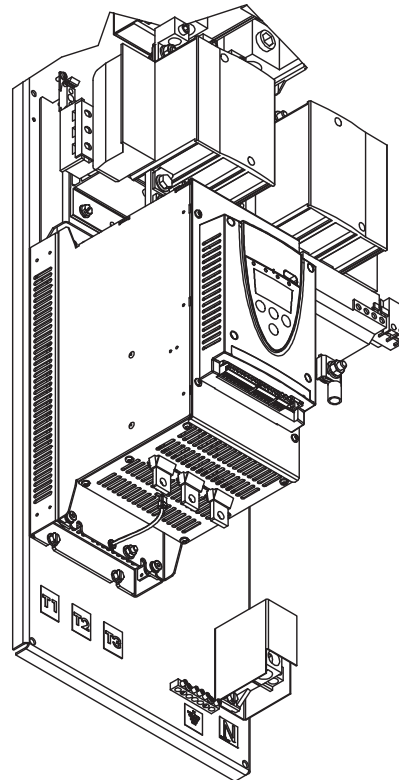
The soft starter heatsink cooling fan, included in some ATS22 models, may require maintenance or replacement after prolonged use. If the cooling fan stops working, order a replacement fan (VW3G22U402) from Schneider Electric.

**Table 32: Enclosed 22 Controllers with Replaceable Soft Starter Cooling Fans**

Voltage	UL Type 1	UL Type 12	UL Type 3R
208	863822FKG... (50 hp)	863822FKA2... (50 hp)	863822FJH2... (40 hp)
230	863822FLG3... (60 hp)	863822FLA3... (60 hp)	863822FKH3... (50 hp)
460	863822FPG4... (125 hp)	863822FPA4... (125 hp)	863822FNH4... (100 hp)
575	863822FQG5... (150 hp)	863822FQA5... (150 hp)	863822FPH5... (125 hp)

The ATS22 soft starter cooling fan is mounted directly behind the soft starter. Refer to Figure 53 and follow the procedure outlined in this section to replace the cooling fan.

**Figure 53: ATS22 Soft Starter**



1. Before replacing any parts in the Enclosed 22 controller, read and observe the precautions beginning on page 103.
2. Remove all power from the controller, following lockout/tagout procedures.
3. Open the enclosure door and check for signs of overheating or other damage. If the equipment appears damaged, discontinue equipment use and contact the Schneider Electric product support group. Otherwise continue with Step 4.

4. Remove the control power cable connecting the fan to the soft starter.
5. Loosen and remove the conductors supplying power to the line and load sides of the soft starter.
6. Remove the pull-apart control power terminals from the front the of the soft starter.
7. Loosen and remove the mounting screws attaching the base of the soft starter to the cooling fan. Retain the screws.
8. Remove the soft starter from the enclosure. Take care not to disturb other control power wires.
9. Loosen and remove the 1/4-20 x 0.5 in. mounting screws attaching the base of the cooling fan frame to the mounting pan. Remove the fan and retain the mounting screws.
10. Install the replacement VW3G22402 soft starter cooling fan to the mounting pan, using the mounting screws removed in Step 9. Tighten the screws to 60–72 lb-in (6.8–8.1 N•m).
11. Mount and secure the soft starter, using the mounting screws removed in Step 7. Tighten the screws to 31 lb-in (3.5 N•m).
12. Replace the power conductors on the soft starter and tighten to the torque specifications in ATS22 User Manual, BBV51330.
13. Replace control terminals at the front of the soft starter.
14. Connect the control power cable at the bottom of the soft starter connecting the soft starter to the fan.
15. Close and secure all doors and covers before returning the equipment to service.

## Renewable Parts

Schneider Electric provides a limited number of renewable parts for the ATS22 soft starter and the Enclosed 22 controller. Before replacing any parts, consult your local field sales representative. Renewable parts must be installed by qualified personnel.

**Table 33: Soft Starters**

Type 1 or 12  hp	Type 3R or 50 °C (122 °F) Rated hp	208 V	230 V	460 V	575 V
3	3	ATS22D17S6U	—	—	—
5	—	ATS22D32S6U	ATS22D17S6U	—	—
7.5	5	ATS22D32S6U	ATS22D32S6U	—	—
10	7.5	ATS22D47S6U	ATS22D32S6U	ATS22D17S6U	—
—	10	ATS22D47S6U	ATS22D47S6U	ATS22D32S6U	—
15	—	ATS22D62S6U	ATS22D47S6U	ATS22D32S6U	ATS22D17S6U
20	15	ATS22D75S6U	ATS22D62S6U	ATS22D32S6U	ATS22D32S6U
25	20	ATS22D88S6U	ATS22D75S6U	ATS22D47S6U	ATS22D32S6U
30	25	ATS22C11S6U	ATS22D88S6U	ATS22D47S6U	ATS22D47S6U
40	30	ATS22C14S6U	ATS22C11S6U	ATS22D62S6U	ATS22D47S6U
50	40	ATS22C17S6U	ATS22C14S6U	ATS22D75S6U	ATS22D62S6U
60	50	ATS22C21S6U	ATS22C17S6U	ATS22D88S6U	ATS22D75S6U
75	60	ATS22C25S6U	ATS22C21S6U	ATS22C11S6U	ATS22D88S6U
100	75	ATS22C32S6U	ATS22C25S6U	ATS22C14S6U	ATS22C11S6U

*Continued on next page*

**Table 33: Soft Starters (continued)**

Type 1 or 12  hp	Type 3R or 50 °C (122 °F) Rated hp	208 V	230 V	460 V	575 V
125	100	ATS22C41S6U	ATS22C32S6U	ATS22C17S6U	ATS22C14S6U
150	125	ATS22C48S6U	ATS22C41S6U	—	ATS22C17S6U
200	150	—	ATS22C59S6U	ATS22C21S6U	ATS22C21S6U
250	200	—	—	ATS22C32S6U	ATS22C25S6U
300	250	—	—	ATS22C41S6U	ATS22C32S6U
350	300	—	—	ATS22C48S6U	ATS22C41S6U
400	350	—	—	ATS22C59S6U	ATS22C48S6U
500	400	—	—	—	ATS22C59S6U

**Table 34: Control Transformer Primary Fuses (FU6, FU7):  
Power Circuit B05**

Enclosure Size	208 V	230 V	460 V	575 V
<b>Type 1 or Type 12</b>				
A or B	25430-20113 (1.125 A)	25430-20100 (1.0 A)	25430-20050 (0.5 A)	25430-20040 (0.4 A)
D or E	25430-20225 (2.25 A)	25430-20200 (2.0 A)	25430-20100 (1.0 A)	25430-20080 (0.8 A)
<b>Type 3R</b>				
A or B	25430-20350 (3.5 A)	25430-20321 (3.2 A)	25430-20161 (1.6 A)	25430-20113 (1.125 A)
D or E	25430-20400 (4.0 A)	25430-20400 (4.0 A)	25430-20200 (2.0 A)	25430-20150 (1.5 A)

**Table 35: Control Transformer Primary Fuses (FU6, FU7):  
Power Circuit S05, N05, R05, Y01 without Option B10**

Type 1 or Type 12	Type 3R	208 V	230 V	460 V	575 V
B	—	25430-20225 (2.25 A)	25430-20200 (2.0 A)	25430-20100 (1.0 A)	25430-20061 (0.6 A)
C	B or C	25430-20350 (3.5 A)	25430-20300 (3.0 A)	25430-20150 (1.5 A)	25430-20113 (1.125 A)
D or F	D	25430-20600 (6.0 A)	25430-20500 (5.0 A)	25430-20250 (2.5 A)	25430-20200 (2.0 A)
—	F	25430-20600 (6.0 A)	25430-20600 (6.0 A)	25430-20300 (3.0 A)	25430-20250 (2.5 A)
G	G	25430-20800 (8.0 A)	25430-20750 (7.5 A)	25430-20350 (3.5 A)	25430-20250 (2.5 A)

**Table 36: Control Transformer Primary Fuses (FU6, FU7):  
Any Power Circuit with Option B10**

Enclosure Size	208 V	230 V	460 V	575 V
B or D	25430-20625 (6.25 A)	25430-20600 (6.0 A)	25430-20321 (3.2 A)	25430-20250 (2.5 A)
D	25430-20800 (8.0 A)	25430-20600 (8.0 A)	25430-20500 (5.0 A)	25430-20321 (3.2 A)
F	25430-20800 (8.0 A)	25430-20600 (8.0 A)	25430-20500 (5.0 A)	25430-20400 (4.0 A)
G	25430-20800 (8.0 A)	25430-20800 (8.0 A)	25430-20500 (5.0 A)	25430-20400 (4.0 A)

**Table 37: Control Transformer Secondary Fuse**

Enclosure Size	Power Circuit B05 without Option B10	Power Circuit S05, N05, R05, or Y05 without Option B10	Any Power Circuit with Option B10
<b>Type 1 or Type 12</b>			
A or B	25430-20061 (0.6 A)	25430-20130 (1.3 A)	25430-20400 (4.0 A)
C	—	25430-20200 (2.0 A)	25430-20400 (4.0 A)
D	25430-20130 (1.3 A)	25430-20350 (3.5 A)	25430-20625 (6.25 A)
E	25430-20130 (1.3 A)	—	—
F	—	25430-20321 (3.2 A)	25430-20625 (6.25 A)
G	—	25430-20500 (5.0 A)	25430-20625 (6.25 A)
<b>Type 1 or Type 12</b>			
A, B, or C	25430-20200	25430-20200	25430-20400
D	25430-20250	25430-20350	25430-20625 (6.25 A)
E	25430-20250	—	—
F	—	25430-20400	25430-20625 (6.25 A)
G	—	25430-20500	25430-20625 (6.25 A)

**Table 38: Soft Starter Control Power Fuse (FU4)**

Enclosure Size	Power Circuit B05	Power Circuit S05, N05, R05, or Y05
A, B, or C	25430-20050 (0.5 A)	25430-20050 (0.5 A)
D	25430-20126 (1.2 A)	25430-20050 (0.5 A)
E	25430-20161 (1.6 A)	—
F	—	25430-20126 (1.2 A)
G	—	25430-20161 (1.6 A)

**Table 39: Heater Stirring Fan (UL Type 3R Only)**

All	26016-31001
-----	-------------

**Table 40: Heatsink Cooling Fan (when provided<sup>1</sup>)**

Voltage	UL Type 1 or Type 12 hp	UL Type 3R or 50 °C (122°F) Rated hp	Catalog Number
208	50	40	VW3G22U402
230	60	50	
460	125	100	
575	150	125	

<sup>1</sup> A heatsink cooling fan is provided for above power ratings when equipment includes a fusible disconnect (Controller Style 22F).

**Table 41: Condensation Heater (UL Type 3R Only)**

All	HUA22191
-----	----------

**Table 42: SE Supplied Power Fuses for Use with Enclosed 22 Controllers with Fusible Switch Disconnects (22F)<sup>1</sup>**

hp	208 V	230 V	460 V	575 V
3	25423-30150	—	—	—
5	25423-30250	25423-30300	—	—
7.5	25423-30400	25423-30350	—	—
10	25423-30500	25423-30450	25423-30200	—
15	25423-30800	25423-30700	25423-30350	25423-30250
20	25423-31000	25423-30900	25423-30450	25423-30350
25	25423-31250	25423-31100	25423-30600	25423-30450
30	25423-31500	25423-31250	25423-30700	25423-30500
40	25423-32000	25423-31750	25423-30900	25423-30700
50	25423-32500	25423-32250	25423-31100	25423-30900
60	25423-32500	25423-32500	25423-31250	25423-31000
75	25423-33500	25423-33000	25423-31500	25423-31250
100	25423-34500	25423-34000	25423-32000	25423-31500
125	25423-36000	25423-35000	25423-32500	25423-32000
150	25423-36000	25423-36000	25423-33000	25423-32500
200	—	25423-36000	25423-34000	25423-33000
250	—	—	25423-35000	25423-34000
300	—	—	25423-36000	25423-35000
350	—	—	25423-36000	25423-35000
400	—	—	25423-36000	25423-36000
500	—	—	—	25423-36000

<sup>1</sup> To include fuses with the equipment when shipped, contact the factory.

**Table 43: Schneider Electric Supplied Power Fuses for Use with Enclosed 22 Controllers with Fusible Switch Disconnects (22F)<sup>1</sup>**

hp	208 V	230 V	460 V	575 V
3	25423-30150	—	—	—
5	25423-30250	25423-30300	—	—
7.5	25423-30400	25423-30350	—	—
10	25423-30500	25423-30450	25423-30200	—
15	25423-30800	25423-30700	25423-30350	25423-30250
20	25423-31000	25423-30900	25423-30450	25423-30350
25	25423-31250	25423-31100	25423-30600	25423-30450
30	25423-31500	25423-31250	25423-30700	25423-30500
40	25423-32000	25423-31750	25423-30900	25423-30700
50	25423-32500	25423-32250	25423-31100	25423-30900
60	—	25423-32500	25423-31250	25423-31000
75	—	—	25423-31500	25423-31250
100	—	—	25423-32000	25423-31500
125	—	—	25423-32500	25423-32000
150	—	—	—	25423-32500

<sup>1</sup> To include fuses with the equipment when shipped, contact the factory.





**Enclosed Altistart™ 22 Motor Controller  
Instruction Bulletin**

ENGLISH

Altistart™, PowerPact™, Modbus™, and Schneider Electric™ are trademarks or registered trademarks of Schneider Electric. Other trademarks used herein are the property of their respective owners.

Electrical equipment should be installed, operated, serviced, and maintained only by qualified personnel. No responsibility is assumed by Schneider Electric for any consequences arising out of the use of this material.

**Schneider Electric USA, Inc.**  
8001 Knightdale Blvd.  
Knightdale, NC 27545 USA  
1-888-778-2733  
[www.schneider-electric.us](http://www.schneider-electric.us)

30072-453-26 Rev. 03, 12/2012 Replaces 30072-453-26 Rev. 02, 08/2011  
© 2012 Schneider Electric All Rights Reserved

# Altistart™ 22 en gabinete

## Controlador de motor combinado a tensión reducida de estado sólido

Boletín de instrucciones

30072-453-26

Rev. 03, 12/2012

Conservar para uso futuro.



ESPAÑOL



by Schneider Electric



	Categorías de riesgos y símbolos especiales.....	6
<b>SECCIÓN 1:</b>	<b>INTRODUCCIÓN Y CARACTERÍSTICAS TÉCNICAS.....</b>	<b>7</b>
	Descripción del producto.....	7
	Opciones estándar.....	7
	Acerca de este documento.....	7
	Terminología.....	8
	Antes de comenzar.....	8
	Placa de datos.....	10
	Descripción del número de catálogo.....	10
	Características técnicas.....	13
	Corriente nominal de cortocircuito.....	17
	Especificaciones técnicas.....	18
<b>SECCIÓN 2:</b>	<b>RECIBO, MANEJO Y ALMACENAMIENTO.....</b>	<b>21</b>
	Recibo e inspección preliminar.....	21
	Almacenamiento del equipo.....	21
	Desempaque del controlador.....	22
	Unidades de montaje en pared.....	22
	Unidades de montaje en piso.....	22
	Levantamiento del controlador.....	23
	Controladores de montaje en pared.....	23
	Controladores de montaje en piso.....	23
	Colocación del controlador.....	25
<b>SECCIÓN 3:</b>	<b>INSTALACIÓN Y PUESTA EN MARCHA.....</b>	<b>27</b>
	Instalación física.....	27
	Requisitos de montaje.....	27
	Gabinetes tamaños A, B, C y D.....	27
	Gabinetes tamaños E, F y G.....	28
	Requisitos de espacio.....	29
	Canal de montaje EZM.....	30
	Criterio de montaje de conformidad con actividad sísmica.....	32
	Peso.....	34
	Centro de gravedad.....	36
	Kit de placa leyenda trilingüe.....	38
	Instalación del kit de montaje en piso (MOD A10) opcional.....	39
	Dimensiones.....	41
	Instalación eléctrica.....	52
	Prácticas generales de alambrado.....	52
	Alambrado de entrada.....	53
	Conexión a tierra.....	53
	Alambrado de salida.....	53
	Enrutamiento de cables e interconexiones.....	54
	Clase de cable.....	54
	Clase EMI.....	54
	Clase de tensión.....	55
	Métodos de alambrado.....	58
	Ubicación de los componentes.....	60
	Alambrado de alimentación.....	65
	Alambrado de control.....	71
	Disparo en derivación (B05).....	71
	Disparo en derivación (S05) y otras opciones de alimentación (N05, R05, Y05).....	72
	Procedimiento de arranque inicial.....	73
	Ajustes de fábrica del arrancador suave ATS22.....	77

ESPAÑOL

Programación con la opción Omitir terminal de programación y ajustes (U10) o gabinete tipo 3R (UL) (H03)	77
Ajuste del disparo del protector de circuitos del motor PowerPact	
Estilo 22T	80
Estilo 22U	81
Recomendaciones de fusibles de alimentación estilo 22F	83
Ajuste del relevador de sobrecarga	84
<b>SECCIÓN 4: DESCRIPCIÓN DE LOS CIRCUITOS</b>	<b>87</b>
Precauciones	87
Circuito de alimentación B: Disparo en derivación básico	87
Circuito de alimentación S: Disparo en derivación con funciones completas	87
Circuito de alimentación N: Aislamiento (no reversible)	88
Circuito de alimentación R: Operación reversible	88
Circuito de alimentación Y: Aislamiento con derivación a tensión plena integrada	88
Funcionamiento (tipo 3R [UL])	89
Opciones de control	89
Mod A06: Botones de Arranque-Paro	89
Mod B06: Interruptor selector de marcha Adelante-Paro-Atrás	89
Mod C06: Interruptor selector Manual-Desconectado-Automático	89
Mod D06: Interruptor selector de Paro-Marcha	89
Mod E06: Interruptor selector Manual-Automático y botones de Arranque-Paro	90
Sin operadores de control	90
Opción de grupo de lámparas piloto	90
Mod A07: Grupo 1 de lámparas piloto	90
Mod B07: Grupo 2 de lámparas piloto	90
Mod C07: Grupo 3 de lámparas piloto	90
Mod D07: Grupo 4 de lámparas piloto	90
Sin lámparas piloto	90
Opciones de medidores	91
Mod B08: Medidor de tiempo de marcha transcurrido	91
Opciones varias	91
Mod A10: Kit de montaje en piso	91
Mod B10: Alimentación de control de 150 VA	91
Mod C10: Retardo de conexión durante la energización	91
Mod D10: Botón de paro de emergencia	91
Mod E10: Etiqueta cUL	91
Mod F10: Contacto auxiliar para anunciar el modo de Marcha	91
Circuito de alimentación B05	91
Circuitos de alimentación S05, N05, R05 y Y05	91
Mod G10: Contacto auxiliar para indicar la marcha en derivación	91
Mod H10: Contacto auxiliar para anunciar el modo Automático	91
Circuito de alimentación B05	92
Circuitos de alimentación S05, N05 y Y05	92
Mod J10: Contacto auxiliar para indicar la condición de disparo	92
Circuito de alimentación B05	92
Circuitos de alimentación S05, N05, R05 y Y05	92
Mod L10: Placas de datos grabadas del cliente	92
Mod M10: Diez terminales sin conexión adicionales	92
Mod P10: Marcadores de cable permanentes	92
Mod R10: Protección contra sobretensiones transitorias	92
Mod U10: Omitir terminal de programación y ajustes montada en la puerta	92
Mod X10: Funcionamiento en 50 °C	92
Mod Z10: Adecuado para entrada de acometida	92

Mod Y10: Aprobado para actividad sísmica .....	93
Mod 610: Valor nominal de alta interrupción .....	93
Mod 910: Opción ARRA .....	93
Diagramas eléctricos diseñados bajo pedido.....	104
<b>SECCIÓN 5: SERVICIO DE MANTENIMIENTO .....</b>	<b>105</b>
Precauciones .....	105
Indicaciones externas de daño .....	107
Códigos de diagnóstico.....	107
Asistencia técnica .....	107
Hoja de diagnósticos y solución de problemas del controlador 22 en gabinete .....	108
Sustitución del ventilador del ATS22 .....	109
Piezas de repuesto .....	110

ESPAÑOL

## Categorías de riesgos y símbolos especiales

Asegúrese de leer detenidamente estas instrucciones y realice una inspección visual del equipo para familiarizarse con él antes de instalarlo, hacerlo funcionar o prestarle servicio de mantenimiento. Los siguientes mensajes especiales pueden aparecer en este boletín o en el equipo para advertirle sobre peligros potenciales o llamar su atención sobre cierta información que clarifica o simplifica un procedimiento.



La adición de cualquiera de estos símbolos a una etiqueta de seguridad de "Peligro" o "Advertencia" indica la existencia de un peligro eléctrico que podrá causar lesiones personales si no se observan las instrucciones.



Este es el símbolo de alerta de seguridad. Se usa para avisar sobre peligros potenciales de lesiones. Respete todos los mensajes de seguridad con este símbolo para evitar posibles lesiones o la muerte.

### **PELIGRO**

**PELIGRO** indica una situación peligrosa que, si no se evita, **podrá** causar la muerte o lesiones serias.

### **ADVERTENCIA**

**ADVERTENCIA** indica una situación peligrosa que, si no se evita, **puede** causar la muerte o lesiones serias.

### **PRECAUCIÓN**

**PRECAUCIÓN** indica una situación peligrosa que, si no se evita, **puede** causar lesiones menores o moderadas.

### **AVISO**

**AVISO** se usa para hacer notar prácticas no relacionadas con lesiones físicas. El símbolo de alerta de seguridad no se usa con esta palabra de indicación.

**NOTA:** Proporciona información adicional para clarificar o simplificar un procedimiento.

## Observe que

**NOTA:** Solamente el personal especializado deberá instalar, hacer funcionar y prestar servicios de mantenimiento al equipo eléctrico. Schneider Electric no asume responsabilidad alguna por las consecuencias emergentes de la utilización de este material.



## Sección 1—Introducción y características técnicas

### Descripción del producto

Los controladores de motores combinados de estado sólido Altistart™ 22 (ATS22), en gabinete, son una solución integrada y pre-diseñada para el arranque y paro suaves a tensión reducida de motores de inducción estándar (en caja de ardilla), asíncronos de tres fases. Los controladores 22 en gabinete consisten en un medio de desconexión, contactores de circuito de alimentación opcionales para realizar operaciones de aislamiento, derivación e inversión, y un arrancador suave ATS22 en un gabinete independiente. Los controladores 22 en gabinete integran la tecnología de arranque suave ATS22 en un paquete combinado para aplicaciones que requieren hasta un máximo de 500 hp en 575 V.

El controlador 22 en gabinete proporciona los beneficios de irrupción de corriente reducida (y la caída de tensión resultante) y vibraciones mecánicas reducidas que pueden resultar del arranque de un motor en la línea. Una configuración de alimentación de estado sólido de seis tiristores (SCR) proporciona un control suave de aceleración y desaceleración de motores de tres fases en caja de ardilla. Se han integrado algoritmos de control para garantizar una rotación suave a lo largo de la rampa de arranque sin inestabilidad mecánica al terminar el arranque. El arrancador suave ATS22 también cuenta con un contactor de cortocircuito integral para reducir las pérdidas de estado estable del motor durante su funcionamiento.

### Opciones estándar

Las opciones estándar en los controladores 22 en gabinete son:

- Arrancador suave en gabinete de gama intermedia
- Diseño de espacio reducido y precio económico con un contactor de cortocircuito integrado
- Puesta en servicio fácil
- Protección plena de arrancador y motores
- Configuraciones versátiles de los circuitos de alimentación
- Corrientes nominales de cortocircuito coordinadas de 100 kA en 208 V, 240 V y 480 V; y 50 kA en 600 V con interruptores automáticos y 100 kA en 208 V y 600 V con fusibles clase J
- Gabinetes tipo 1, tipo 12/12K y tipo 3R clasificados por UL y controlador de motores combinados aprobados por UL (UL 508)
- Opción de entrada de acometida
- Arranque automático remoto

### Acerca de este documento

Este documento contiene las instrucciones de instalación, puesta en marcha y servicio de mantenimiento del controlador 22 en gabinete. La siguiente documentación también está disponible de la biblioteca técnica en el sitio web [www.schneider-electric.us](http://www.schneider-electric.us):

- *Manual del usuario del ATS22*, BBV51330
- *Guía de arranque rápido del ATS22*, S1A10388 y *Anexo para los mercados de la norma UL508*, S1A14738
- *CD-ROM del ATS22*, VW3A8200
- *Manejo, instalación, funcionamiento y servicio de mantenimiento del equipo de control eléctrico*, boletín de instrucciones 30072-200-50

Para obtener ejemplares de documentos, póngase en contacto con la oficina local de Schneider Electric o bien, también es posible obtenerlos del sitio web [www.schneider-electric.us](http://www.schneider-electric.us) (bajo Technical Library).

## Terminología

A continuación se explica la terminología empleada en este boletín de instrucciones para distinguir entre el arrancador suave ATS22 y el controlador 22 en gabinete:

- Controlador o controlador 22 en gabinete se refiere a la combinación de arrancador suave ATS22, gabinete y a los circuitos de control y alimentación que son parte del controlador de motor 22 combinado en gabinete.
- Arrancador suave o arrancador suave ATS22 se refiere a los controladores de motores a tensión reducida, de estado sólido ATS22 cuando se usan como un componente dentro del controlador 22 en gabinete. El arrancador suave ATS22 se describe en el *Manual de usuario del ATS22*, BBV51330.
- Contactor de cortocircuito se refiere a los contactores internos en el arrancador suave ATS22. El contactor de cortocircuito se cierra durante una operación de velocidad máxima para reducir pérdidas bajo la operación de estado estable.
- Arrancador de derivación o de derivación integral, se refiere al arrancador combinado a tensión plena integrado opcional en el controlador ATS22 en gabinete (opción de circuito de alimentación Y05). Si fue incluido, el arrancador de derivación integral puede ser usado para arrancar o hacer funcionar el motor en el caso improbable de que el arrancador suave ATS22 no funcione.

## Antes de comenzar

Asegúrese de leer y seguir estas instrucciones antes de realizar cualquier procedimiento con este controlador.

### **▲ PELIGRO**

#### **PELIGRO DE DESCARGA ELÉCTRICA, EXPLOSIÓN O DESTELLO POR ARQUEO**

- Asegúrese de leer y entender este boletín antes de instalar o hacer funcionar el controlador 22 en gabinete. La instalación, ajustes, reparaciones y servicios de mantenimiento deberán ser realizados por personal especializado.
- El usuario es responsable de cumplir con todos los requisitos de las normas eléctricas nacionales y locales en vigor referentes a la puesta a tierra de todo el equipo.
- Varias piezas de este controlador, inclusive las tarjetas de circuito impreso, funcionan bajo tensión de línea. **NO LAS TOQUE.** Use sólo herramientas con aislamiento eléctrico.
- Algunas terminales pueden estar bajo tensión aún cuando el desconectador ha sido abierto.
- Antes de prestar servicio de mantenimiento al controlador:
  - Desenergice el equipo, incluyendo la alimentación de control externa, que pudiera estar presente.
  - Coloque una etiqueta "NO ENERGIZAR" en cada desconectador de alimentación.
  - Bloquee los desconectores en la posición de abierto.
- Instale y cierre todas las cubiertas antes de aplicar corriente eléctrica o de arrancar y parar el controlador.

**El incumplimiento de estas instrucciones podrá causar la muerte o lesiones serias.**

## **⚠ PELIGRO**

### **PELIGRO DE DESCARGA ELÉCTRICA, EXPLOSIÓN O DESTELLO POR ARQUEO**

- Utilice equipo de protección personal (EPP) apropiado y siga las prácticas de seguridad en trabajos eléctricos establecidas por su Compañía, consulte la norma 70E de NFPA y NOM-029-STPS.
- Solamente el personal eléctrico especializado deberá instalar y prestar servicio de mantenimiento a este equipo.
- Desenergice el equipo antes de realizar cualquier trabajo dentro o fuera de él.
- Siempre utilice un dispositivo detector de tensión nominal adecuado para confirmar la desenergización del equipo.
- Vuelva a colocar todos los dispositivos, las puertas y las cubiertas antes de energizar este equipo.

**El incumplimiento de estas instrucciones podrá causar la muerte o lesiones serias.**

## **⚠ ADVERTENCIA**

### **PÉRDIDA DE CONTROL**

- El diseñador de un plan de control deberá tener en cuenta los modos potenciales de fallas en las trayectorias de control y, para ciertas funciones de control críticas, deberá proporcionar un medio para alcanzar un estado seguro durante y después de una falla en la trayectoria. Un paro de emergencia y un paro por sobrecarrera son ejemplos de funciones de control críticas.
- Deberán proporcionarse trayectorias de control independientes o redundantes para las funciones de control críticas.
- Las trayectorias de control del sistema pueden incluir enlaces de comunicación. Deberán tenerse en cuenta las implicaciones de fallas o retardos de transmisión anticipados del enlace<sup>1</sup>.
- Cada controlador 22 en gabinete deberá ser probado individualmente y asegurarse de que funciona correctamente antes de ponerlo en funcionamiento.

**El incumplimiento de estas instrucciones puede causar la muerte, lesiones serias o daño al equipo.**

<sup>1</sup> Para obtener información adicional, consulte la publicación NEMA ICS 1.1 (última edición), "Procedimientos de seguridad sobre la aplicación, instalación y mantenimiento de control de estado sólido".

## **⚠ PRECAUCIÓN**

### **TENSIÓN DE LÍNEA INCOMPATIBLE**

Antes de energizar y configurar el controlador, asegúrese de que la tensión de línea sea compatible con la gama de tensión especificada en la placa de datos del controlador. Es posible que se dañe el controlador si la tensión de línea no es compatible.


**El incumplimiento de estas instrucciones puede causar lesiones personales o daño al equipo.**

## Placa de datos


La placa de datos del controlador 22 en gabinete se encuentra en el interior de la puerta del gabinete. Vea la figura 1. La placa de datos identifica el tipo de controlador y opciones de modificación. Al identificar o describir el controlador 22 en gabinete, emplee los datos de su placa de datos.

Figura 1: Ejemplo de una placa de datos

ESPAÑOL

  
**SQUARE D**  
 by Schneider Electric

**ENCLOSED 22**  
 Combination Motor Controller

  
 LISTED A159

<b>CATALOG NUMBER</b> NUMERO DE CATALOGO NUMERO DE CATALOGUE	<b>SERIES</b> SERIES SERIES	<b>AMBIENT TEMP</b> TEMP AMBIENTE TEMP AMBIANTE
863922UDG4BA06A07	A	40C
<b>VOLTS</b> 460 (+ 10 %/-15%)	<b>PHASE / FASE / PHASE</b> 3	<b>Hz</b> 60
<b>MAX AMPS</b> A MAX A. MAX	<b>SHORT CIRCUIT CURRENT RATING (SCCR), RMS, SYMMETRICAL</b> CORRIENTE NOMINAL DE CORTOCIRCUITO (SCCR) SIMETRICOS RCM COURANT NOMINAL DE COURT-CIRCUIT (SCCR) RMS, SYMETRIQUES	
14	100 KA	
<b>FUSE CLASS / CLASE DE FUSIBLE / CLASSE DE FUSIBLE</b>	<b>HP / KW</b>	
-	10 / 7.5	
<b>FUSE AMPERAGE / AMPERAJE DE FUSIBLE / AMPERAGE DE FUSIBLE</b>		
-		
<b>ENCLOSURE / GABINETE / ARMOIRE</b>	<b>WIRE TYPE AND TEMP / TIPO Y TEMP DE CONDUCTOR / TYPE ET TEMP DE FIL</b>	
<b>TYPE / TIPO / TYPE</b> 12K	Cu 75°C	
<b>POWER WIRING / ALAMBRADO DE ALIMENTACION / CABLAGE D'ALIMENTACION</b>		
<b>LINE / LINEA / LIGNE</b>	<b>LOAD / CARGA / CHARGE</b>	
<b>AWG</b> #14 - 10 #8 - 3/0	<b>TORQUE / TORQUE / COUPLE DE SERRAGE</b> 50 lb-in 120 lb-in	<b>AWG</b> #12 - 4 26 lb-in
<b>REFERENCE MANUALS / MANUAL DE REFERENCIA / MANUEL DE REFERENCE</b>	<b>DWG</b>	
BBV51330	30072-453-26	
<b>FO # INUMERO DE PEDIDO DE FABRICA / NUMERO DE COMMANDE DE L'USINE</b>		
<b>ASSY IN MX</b>	009	0610

Código de planta ↑

Código de fecha ↑

Número de catálogo →

Tensión de entrada →

Intensidad de corriente nominal →

Clase de fusible →

Intensidad de corriente fusible →

Tipo de gabinete →

Terminaciones de línea (tamaño de cable y par de apriete de las terminales) →

Temperatura ambiente máxima →

Corriente nominal de cortocircuito →

Potencia (hp) / Valor nom. (kW) →

Tipo de cable y valor mínimo de temperatura →

Terminaciones de carga (tamaño de cable y par de apriete de las terminales) →

## Descripción del número de catálogo

El número de catálogo se encuentra en la placa de datos adherida en el interior de la puerta del controlador 22 en gabinete (vea la figura 1). El número de catálogo ha sido codificado para describir la configuración del controlador.

Emplee la tabla 2 en la página 11 para descifrar el número de catálogo y obtener una descripción del controlador. El ejemplo en la tabla 1 descifra el número de catálogo que se muestra en la placa de datos de la figura 1.

Para obtener una descripción de las opciones que figuran en la tabla 2, consulte la Sección 4 que comienza en la página 87.

Tabla 1: Ejemplo de número de catálogo: 863922UDG4BA06A07

		Campo							
		1	2	3	4	5	6	7	
		8639	22U	D	G	4	B	A06	A07
Controlador	clase	Interruptor automático termomagnético PowerPact™	10 hp	Tipo 1 (UL) de uso general	460 V~	Disparo en derivación básico	Botón de Arranque -Paro	Lámpara de marcha (roja), Lámpara de desconexión (verde)	

Tabla 2: Descripción del número de catálogo

Campo	Dígito	Característica	Descripción
—	—	Controlador clase	8638 = Dispositivo de desconexión fusible <sup>1</sup> 8639 = Desconectador de interruptor automático
01	1–3	Controlador estilo	22F = Altistart 22 con clips para fusibles clase J e interruptor en caja moldeada <sup>1</sup> 22T = Altistart 22 con protector de circuito de motor PowerPact 22U = Altistart 22 con interruptor automático termomagnético PowerPact
02	4	Potencia (en hp)	A = 3 hp                      L = 60 hp B = 5 hp                      M = 75 hp C = 7,5 hp                    N = 100 hp D = 10 hp                    P = 125 hp E = 15 hp                    Q = 150 hp F = 20 hp                    R = 200 hp G = 25 hp                    S = 250 hp H = 30 hp                    T = 300 hp J = 40 hp                    U = 350 hp K = 50 hp                    W = 400 hp X = 500 hp
03	5	Tipo de gabinete	G = Tipo 1 (UL) de uso general A = Tipo 12/12K (UL) para uso industrial, hermético al polvo y al goteo <sup>2</sup> H = Tipo 3R (UL) para uso en exteriores
04	6	Tensión	2 = 208 V~ 3 = 230 V~ 4 = 460 V~ 5 = 575 V~
05	7	Circuito de alimentación	B = Disparo en derivación básico S = Disparo en derivación con funciones completas N = Aislamiento (no reversible) R = Aislamiento (reversible) Y = Derivación a tensión plena integrada
06	8 – 10	Opciones de control <sup>3,4</sup>	A06 = Botones de Arranque-Paro B06 = Adelante-Paro-Atrás <sup>5</sup> C06 = Interruptor selector Manual-Paro-Autom (HOA) D06 = Interruptor selector Paro-Marcha E06 = Interruptor selector Manual-Automático / botones de Arranque-Paro
07	11 – 13	Opciones de lámparas piloto <sup>3,4</sup>	A07 = Lámpara de marcha (roja), lámpara de desconexión (verde) B07 = Lámpara de prueba de marcha (roja), lámpara de prueba de desconexión (verde) C07 = Lámpara de marcha (roja), lámpara de desconexión (verde), lámpara de disparo/restablecimiento (amarilla) <sup>6</sup> D07 = Lámpara de marcha PTT (roja), lámpara de desconexión PTT (verde), lámpara de disparo/restablecimiento (amarilla) <sup>5</sup>
08	14 – 16	Opciones de medidores <sup>3</sup>	B08 = Medidor de tiempo de marcha transcurrido

Continúa en la siguiente página

ESPAÑOL

Tabla 2: Descripción del número de catálogo (continuación)

Campo	Dígito	Característica	Descripción
09	17 – 19	Opciones varias <sup>3</sup>	A10 = Kit de montaje en piso <sup>7</sup> B10 = 150 VA adicionales <sup>1</sup> C10 = Relevador con retardo de conexión durante la energización <sup>1,10</sup> D10 = Botón de paro de emergencia <sup>1</sup> E10 = Etiqueta cUL <sup>8</sup> F10 = Contactos auxiliares de modo de marcha G10 = Contactos auxiliares de derivación a tensión plena <sup>1,9</sup> H10 = Contactos auxiliares de modo automático <sup>10,11</sup> J10 = Contactos auxiliares de indicación de falla L10 = Placa de datos grabada <sup>1</sup> M10 = 10 bloques de terminales de repuesto <sup>1</sup> P10 = Marcadores permanentes de cable <sup>1</sup> R10 = MOV/Apartarrayos <sup>1</sup> U10 = Omitir terminal de programación y ajustes de montaje en puerta <sup>12</sup> X10 = Funcionamiento en 50 °C (122 °F) Y10 = Aprobado para actividad sísmica Z10 = Adecuado para entrada de acometida <sup>8</sup> 610 = Valor nominal de alta interrupción <sup>13</sup> 910 = Opción de la ley de reinversión y recuperación estadounidense (ARRA, por sus siglas en inglés)

- <sup>1</sup> Esta opción no se puede seleccionar con la opción de circuito de alimentación B05.
- <sup>2</sup> Los gabinetes de montaje en pared incluyen discos desprendibles para la conexión de tubo conduit. Consulte las figuras 17 a 21 que comienzan en la página 41 para conocer la ubicación de los discos desprendibles y otros detalles
- <sup>3</sup> Seleccione una sola opción.
- <sup>4</sup> Para omitir esta opción, no incluya una selección en el número de catálogo.
- <sup>5</sup> La opción de circuito de control B06 es necesaria cuando se selecciona el circuito de alimentación de aislamiento reversible (R05) y no está disponible con ninguna otra opción de circuito de alimentación.
- <sup>6</sup> Esta opción no se puede seleccionar con los circuitos de alimentación de disparo en derivación (B05 o S05).
- <sup>7</sup> Esta opción está disponible sólo para los gabinetes tamaño D. Consulte la tabla 12 en la página 35 para obtener los valores nominales.
- <sup>8</sup> Las opciones E10 y Z10 no pueden usarse juntas.
- <sup>9</sup> Los contactos están disponibles sólo cuando se selecciona la opción de circuito de alimentación Y05.
- <sup>10</sup> Los contactos no están disponibles cuando se selecciona la opción de circuito de alimentación R05.
- <sup>11</sup> Esta opción es válida sólo con las siguientes opciones de control: C06, D06 o E06.
- <sup>12</sup> Si selecciona la opción U10, deberá solicitar por separado la terminal de programación y ajustes remota (VW3G22101) y el cable (VW3A1104R30) para poner en marcha el arrancador suave. Consulte el Manual del usuario del ATS22, BBV51330, para conocer las funciones de control y la programación de las comunicaciones en serie.
- <sup>13</sup> Los controladores ATS22 en gabinete tamaños E y G con desconexión por interruptor automático (22U) tienen generalmente valores nominales de cortocircuito de 65 kA en 460 V y 25 kA en 575 V. La selección de la opción 610 aumenta el valor nominal hasta 100 kA en 460 V o 50 kA en 575 V. La opción no es válida con los controladores estilo 22T o 22F.

## Características técnicas

Tabla 3: Valores nominales de uso normal para los tipos 1 (UL) y 12/12K (UL)

Número de catálogo del controlador 22 en gabinete 1,2,3	Tensión de entrada 60 Hz	Potencia (hp)	Corriente a plena carga	Potencia disipada total máxima a la carga nominal 4,5	No. de catálogo Altistart 22
	V~	hp	A	W	
22◆A●2✘	208	3	10,6	65,7	ATS22D17S6U
22◆B●2✘		5	16,7	71,8	ATS22D32S6U
22◆C●2✘		7,5	24,2	75,0	ATS22D32S6U
22◆D●2✘		10	30,8	81,8	ATS22D47S6U
22◆E●2✘		15	46,2	95,4	ATS22D62S6U
22◆F●2✘		20	59,4	106,7	ATS22D75S6U
22◆G●2✘		25	74,8	112,0	ATS22D88S6U
22◆H●2✘		30	88	149,0	ATS22C11S6U
22◆J●2✘		40	114	182,8	ATS22C14S6U
22◆K●2✘		50	143	221,3	ATS22C17S6U
22◆L●2✘		60	169	252,6	ATS22C21S6U
22◆M●2✘		75	211	307,1	ATS22C25S6U
22◆N●2✘		100	273	418,3	ATS22C32S6U
22◆P●2✘		125	343	533,0	ATS22C41S6U
22◆Q●2✘		150	395	563,0	ATS22C48S6U
22◆B●3✘	230	5	15,2	66,5	ATS22D17S6U
22◆C●3✘		7,5	22	74,2	ATS22D32S6U
22◆D●3✘		10	28	76,5	ATS22D32S6U
22◆E●3✘		15	42	94,0	ATS22D47S6U
22◆F●3✘		20	54	101,4	ATS22D62S6U
22◆G●3✘		25	68	112,8	ATS22D75S6U
22◆H●3✘		30	80	115,6	ATS22D88S6U
22◆J●3✘		40	104	163,7	ATS22C11S6U
22◆K●3✘		50	130	199,9	ATS22C14S6U
22◆L●3✘		60	154	232,9	ATS22C17S6U
22◆M●3✘		75	192	273,1	ATS22C21S6U
22◆N●3✘		100	248	354,4	ATS22C25S6U
22◆P●3✘		125	312	481,6	ATS22C32S6U
22◆Q●3✘		150	360	562,3	ATS22C41S6U
22◆R●3✘		200	480	691,3	ATS22C59S6U

Continúa en la siguiente página

ESPAÑOL

Tabla 3: Valores nominales de uso normal para los tipos 1 (UL) y 12/12K (UL) (continuación)

Número de catálogo del controlador 22 en gabinete 1,2,3	Tensión de entrada 60 Hz	Potencia (hp)	Corriente a plena carga	Potencia disipada total máxima a la carga nominal 4,5	No. de catálogo Altistart 22
	V~	hp	A	W	
22◆D●4✱	460	10	14	81,2	ATS22D17S6U
22◆E●4✱		15	21	88,5	ATS22D32S6U
22◆F●4✱		20	27	91,6	ATS22D32S6U
22◆G●4✱		25	34	98,7	ATS22D47S6U
22◆H●4✱		30	40	107,2	ATS22D47S6U
22◆J●4✱		40	52	121,1	ATS22D62S6U
22◆K●4✱		50	65	132,0	ATS22D75S6U
22◆L●4✱		60	77	134,9	ATS22D88S6U
22◆M●4✱		75	96	176,8	ATS22C11S6U
22◆N●4✱		100	124	214,6	ATS22C14S6U
22◆P●4✱		125	156	256,1	ATS22C17S6U
22◆Q●4✱		150	180	263,6	ATS22C21S6U
22◆R●4✱		200	240	343,5	ATS22C25S6U
22◆S●4✱		250	302	464,5	ATS22C32S6U
22◆T●4✱		300	361	564,1	ATS22C41S6U
22◆U●4✱		350	414	589,6	ATS22C48S6U
22◆V●4✱		400	477	686,6	ATS22C59S6U
22◆E●5✱	575	15	17	82,0	ATS22D17S6U
22◆F●5✱		20	22	88,6	ATS22D32S6U
22◆G●5✱		25	27	90,7	ATS22D32S6U
22◆H●5✱		30	32	96,8	ATS22D47S6U
22◆J●5✱		40	41	106,7	ATS22D47S6U
22◆K●5✱		50	52	119,3	ATS22D62S6U
22◆L●5✱		60	62	127,4	ATS22D75S6U
22◆M●5✱		75	77	134,9	ATS22D88S6U
22◆N●5✱		100	99	179,4	ATS22C11S6U
22◆P●5✱		125	125	215,7	ATS22C14S6U
22◆Q●5✱		150	144	243,3	ATS22C17S6U
22◆R●5✱		200	192	273,1	ATS22C21S6U
22◆S●5✱		250	242	346,2	ATS22C25S6U
22◆T●5✱		300	289	443,2	ATS22C32S6U
22◆W●5✱		400	382	543,1	ATS22C48S6U
22◆X●5✱		500	472	678,8	ATS22C59S6U

- 1 ◆ puede ser una "F", "T" o "U", que describe el estilo de controlador. Vea la tabla 2 en la página 11.
- 2 ● puede ser una "G", "A" o "H" que describe el tipo de gabinete. Vea la tabla 2 en la página 11.
- 3 ✱ puede ser B, S, N, R o Y que describe la configuración del circuito de alimentación. Vea la tabla 2 en la página 11.
- 4 La energía disipada no incluye las pérdidas de los fusibles de alimentación provistos por el cliente.
- 5 Para obtener btu/hr, multiplique los valores por 3,413.



Tabla 4: Valores nominales de uso normal para el tipo 3R (UL) y para funcionamiento en 50°C (122 °F)

No. de catálogo del controlador 22 en gabinete 1,2,3	Tensión de entrada 60 Hz	Potencia (hp)	Corriente a plena carga	Potencia disipada total máxima a la carga nominal 4,5	No. de catálogo Altistart 22
	V~	hp	A	W	
22◆A●2✖	208	3	10,6	50,4	ATS22D17S6U
22◆B●2✖		5	16,7	53,3	ATS22D32S6U
22◆C●2✖		7,5	24,2	60,1	ATS22D47S6U
22◆D●2✖		10	30,8	70,2	ATS22D47S6U
22◆E●2✖		15	46,2	74,0	ATS22D75S6U
22◆F●2✖		20	59,4	83,2	ATS22D88S6U
22◆G●2✖		25	74,8	118,5	ATS22C11S6U
22◆H●2✖		30	88	140,3	ATS22C14S6U
22◆J●2✖		40	114	164,1	ATS22C17S6U
22◆K●2✖		50	143	197,8	ATS22C21S6U
22◆L●2✖		60	169	236,3	ATS22C25S6U
22◆M●2✖		75	211	297,8	ATS22C32S6U
22◆N●2✖		100	273	376,1	ATS22C41S6U
22◆P●2✖		125	343	434,8	ATS22C48S6U
22◆B●3✖	230	5	15,2	55,1	ATS22D32S6U
22◆C●3✖		7,5	22	57,5	ATS22D32S6U
22◆D●3✖		10	28	68,8	ATS22D47S6U
22◆E●3✖		15	42	69,7	ATS22D62S6U
22◆F●3✖		20	54	85,3	ATS22D75S6U
22◆G●3✖		25	68	89,1	ATS22D88S6U
22◆H●3✖		30	80	127,4	ATS22C11S6U
22◆J●3✖		40	104	145,5	ATS22C14S6U
22◆K●3✖		50	130	181,2	ATS22C17S6U
22◆L●3✖		60	154	213,4	ATS22C21S6U
22◆M●3✖		75	192	250,7	ATS22C25S6U
22◆N●3✖		100	248	338,9	ATS22C32S6U
22◆P●3✖		125	312	438,1	ATS22C41S6U
22◆Q●3✖		150	360	506,6	ATS22C59S6U

Continúa en la siguiente página

ESPAÑOL

Tabla 4: Valores nominales de uso normal para el tipo 3R (UL) y para funcionamiento en 50°C (122 °F) (continuación)

No. de catálogo del controlador 22 en gabinete 1,2,3	Tensión de entrada 60 Hz	Potencia (hp)	Corriente a plena carga	Potencia disipada total máxima a la carga nominal 4,5	No. de catálogo Altistart 22
	V~	hp	A	W	
22◆D●4✘	460	10	14	60,4	ATS22D32S6U
22◆E●4✘		15	21	63,5	ATS22D32S6U
22◆F●4✘		20	27	75,3	ATS22D47S6U
22◆G●4✘		25	34	83,3	ATS22D47S6U
22◆H●4✘		30	40	95,1	ATS22D62S6U
22◆J●4✘		40	52	96,6	ATS22D75S6U
22◆K●4✘		50	65	101,9	ATS22D88S6U
22◆L●4✘		60	77	139,9	ATS22C11S6U
22◆M●4✘		75	96	155,9	ATS22C14S6U
22◆N●4✘		100	124	170,4	ATS22C17S6U
22◆P●4✘		125	156	208,6	ATS22C21S6U
22◆Q●4✘		150	180	251,3	ATS22C25S6U
22◆R●4✘		200	240	322,8	ATS22C32S6U
22◆S●4✘		250	302	422,9	ATS22C41S6U
22◆T●4✘		300	361	471,4	ATS22C48S6U
22◆U●4✘	350	414	557,3	ATS22C59S6U	
22◆E●5✘	575	15	17	68,3	ATS22D32S6U
22◆F●5✘		20	22	70,2	ATS22D32S6U
22◆G●5✘		25	27	77,7	ATS22D47S6U
22◆H●5✘		30	32	84,9	ATS22D47S6U
22◆J●5✘		40	41	89,4	ATS22D62S6U
22◆K●5✘		50	52	96,8	ATS22D75S6U
22◆L●5✘		60	62	104,5	ATS22D88S6U
22◆M●5✘		75	77	135,1	ATS22C11S6U
22◆N●5✘		100	99	155,2	ATS22C14S6U
22◆P●5✘		125	125	173,4	ATS22C17S6U
22◆Q●5✘		150	144	209,5	ATS22C21S6U
22◆R●5✘		200	192	240,9	ATS22C25S6U
22◆S●5✘		250	242	335,0	ATS22C32S6U
22◆T●5✘		300	289	447,7	ATS22C48S6U
22◆W●5✘		400	382	541,8	ATS22C59S6U

1 ◆ puede ser una "F", "T" o "U", que describe el estilo de controlador. Vea la tabla 2 en la página 11  
 2 ● puede ser una "G", "A" o "H" que describe el tipo de gabinete. Vea la tabla 2 en la página 11.  
 3 ✘ puede ser B, S, N, R o Y que describe la configuración del circuito de alimentación. Vea la tabla 2 en la página 11.  
 4 La energía disipada no incluye las pérdidas de los fusibles de alimentación provistos por el cliente.  
 5 Para obtener btu/hr, multiplique los valores por 3,413.

## Corriente nominal de cortocircuito

Los controladores 22 en gabinete con un interruptor automático PowerPact marcos H, J, D, L y P como dispositivo de desconexión tienen un valor nominal de cortocircuito de 100 kA en 208 V, 240 V y 480 V y 50 kA en 600 V (simétricos rcm).<sup>1</sup>

Los controladores 22 en gabinete con un interruptor automático PowerPact marco M como dispositivo de desconexión tienen un valor nominal de cortocircuito de 65 kA en 208 V, 240 V y 480 V y 25 kA en 600 V (simétricos rcm). El interruptor automático viene incluido cuando se solicita una desconexión tipo termomagnética (22U) en las siguientes gamas de tensión y potencia:

- Para el tipo 1/12 (40 °C / 104 °F): 150 hp en 208 V; 200 hp en 230 V; 350 a 400 hp en 460 V; 400 a 500 hp en 575 V.
- Para un tipo 3R o temperatura ambiente de 50 °C (122 °F) tipo 1/12: 125 hp en 208 V; 150 hp en 230 V; 300 a 350 hp en 460 V; 350 a 400 hp en 575 V.

La opción 610 (22U solamente) incluye un interruptor automático PowerPact marco P con desconexión termomagnética para aumentar el valor nominal como se describió anteriormente.

Todos los controladores 22 en gabinete con un desconectador con fusibles como dispositivo de desconexión tienen un valor nominal de cortocircuito de 100 000 A (simétricos rcm) en 600 V cuando son equipados con fusibles de retardo de tiempo clase J aprobados por UL. Para incluir los fusibles con el equipo durante el envío, póngase en contacto con la fábrica.

### **⚠ ADVERTENCIA**

#### **DAÑO POR CALENTAMIENTO O INCENDIO**

- Los dispositivos de protección deben estar correctamente coordinados.
- No conecte el controlador a los alimentadores de corriente eléctrica cuya capacidad de cortocircuito exceda la corriente nominal de cortocircuito especificada en la placa de datos del controlador.

**El incumplimiento de estas instrucciones puede causar la muerte o lesiones serias.**

<sup>1</sup> La corriente nominal de cortocircuito para los circuitos de potencia N05, R05 e Y05 con un contactor IEC es de 35 000 A en 600 V para los siguientes valores nominales de potencia:  
350 hp: Tipos 1 y 12  
300 hp: Tipo 3R o Mod X10

## Especificaciones técnicas

**Tabla 5: Especificaciones eléctricas**

Tensión de alimentación	208 V~ +10%/-15%; 230 V~ +10%/-15%; 460 V~ +10%/-15%; 575 V~ +10%/-15%
Tensión de control	115 V~ +10%/-15% (transformador de alimentación de control incluido)
Frecuencia	50/60 Hz +/- 5%
Corriente nominal	Corriente a plena carga (CPC) según NFPA 70 / NEC, tabla 430-250 y tabla 430-150 de NOM-001-SEDE.
Potencia del motor	Tipos 1 (UL) y 12/12K (UL): 3–150 hp en 208 V 5–200 hp en 230 V 10–400 hp en 460 V 15–500 hp en 575 V  Tipo 3R (UL) o para funcionamiento a 50 °C (122 °F): 3–125 hp en 208 V 5–150 hp en 230 V 10–350 hp en 460 V 15–400 hp en 575 V
Tensión del motor	208, 230, 460, 575 V
Régimen de arranque (uso normal)	S1: Arranque al 350% de In <sup>1</sup> durante 40 s en estado frío S3: Arranque al 300% de In <sup>1</sup> durante 20 s, o al 200% de In durante 40 s, con un factor de carga del 95% y 3 arranques por hora o un ciclo térmico equivalente.

<sup>1</sup> In es la corriente a plena carga del controlador especificada en la placa de datos.

**Tabla 6: Especificaciones ambientales**

Temp. de almacenamiento	-25 a +70 °C (-13 a +158 °F)
Temperatura de funcionamiento	Tipos 1 (UL) y 12/12K (UL) : -10 a 40 °C (+14 a 104 °F) Tipos 3R (UL) y Mod X10: -10 a 50 °C (+14 a 122 °F)
Humedad	95% sin condensación o goteo, en conformidad con la norma IEC 60068-2-3 Tipo 3R (UL) , 100%
Altitud	1 000 m (3 280 pies), reducción del 2,2% para cada 100 m (328 pies) adicionales hasta un máximo de 2 000 m (6 560 pies).
Gabinete	Tipo 1 (UL) : de uso general Tipo 12/12K (UL) : para uso industrial, hermético al polvo y al goteo Tipo 3R (UL) : para uso en exteriores
Grado de contaminación	Grado de contaminación 2 (tipos 1 [UL] y 3R [UL]) y grado 3 (tipo 12/12K [UL]) según NEMA ICS-1 e IEC 60664-1
Resistencia a vibraciones (arrancador suave solamente)	De acuerdo con la norma IEC 60068-2-6: 1,5 mm, al valor máximo, a partir de 3 a 13 Hz 1 gn a partir de 13 hasta 150 Hz
Resistencia a sacudidas	De acuerdo con la norma IEC 60068-2
Códigos y normas	Aprobado por UL según la norma UL 508 bajo la categoría NKJH. Cumple con las normas correspondientes de NEMA ICS, NFPA e IEC. Fabricado bajo las normas de ISO 9001. La modificación de fábrica E10 proporciona la certificación canadiense cUL según la norma C22.2 no. 14. Certificación sísmica: • 2003 IBC, NFPA 5000, and ASCE7 • ICC ES AC 156 <sup>1</sup>

<sup>1</sup> Protocolo de prueba para el criterio de aceptación con un factor de importancia de 1,5.

**Tabla 7: Funcionamiento**

Métodos de arranque:	
Rampa de par	Ajustable de 1 a 60 s, a través de la terminal de programación y ajustes
Limitación de corriente	Ajustable desde el 150% al 350% de la corriente nominal (In) del controlador como se indica en la placa de datos
Impulso de arranque del elevador de tensión	Arranque de impulso en 80% de la tensión plena para 0,1 a 1 s (bSt) para interrumpir cargas libres de alta fricción o arrancar motores de 2 polos.
Métodos de paro:	
Rueda libre	Descenso de velocidad hasta parar en comando de paro
Rampa de par de desaceleración	Ajustable de 1 a 60 s, a través de la terminal de programación y ajustes
Estado y diagnóstico	Pantalla digital del motor y estado del controlador, incluyendo: Estado de listo/marcha Corriente del motor

**Tabla 8: Protección**

Motor:	
Sobrecarga térmica	Relevador de sobrecarga térmica de estado sólido, parte integral del arrancador suave ATS22. La clase de sobrecarga se puede seleccionar como 10, 20 ó 30 a través de la terminal de programación y ajustes. La gama es entre el 40% y 100% de la corriente nominal del arrancador suave ATS22. <sup>1</sup>
Desconector de disparo en derivación	Desconecta toda la alimentación del gabinete del controlador cuando el arrancador suave ATS22 detecta una falla.
Controlador:	
Corriente nominal de cortocircuito	<ul style="list-style-type: none"> <li>• Interruptor automático PowerPact marcos H, J, D, L o P: 100 kA en 480 V y 50 kA en 600 V<sup>2</sup></li> <li>• Interruptor automático PowerPact marco M: 65 kA en 480 V y 25 kA en 600 V</li> <li>• Desconector seccionador fusible: 100 kA en 600 V (necesita fusibles de retardo clase J registrados por UL, no incluidos).</li> </ul>
Protección contra sobrecorrientes	Un dispositivo de protección contra sobrecorrientes (DPCS) proporciona una coordinación tipo 1 a los valores nominales de la corriente de cortocircuito.
Protección contra temperatura excesiva	Protección si la temperatura del disipador térmico excede los 185 °F (85 °C)
Contacto de cortocircuito	Un contacto de cortocircuito es parte integral del arrancador suave ATS22 y reduce la elevación de temperatura en el gabinete eliminando la pérdida de watts de los RCS.
Umbral de corriente desequilibrada	Programable entre el 10% y 100% de la corriente nominal del arrancador suave (In)
Falla a tierra	Programable entre el 10% y 100% de la corriente nominal del arrancador suave (In)
Baja tensión / sobretensión	Programable, disparo por baja tensión entre el 50% y 90% de la tensión de línea (ULn) y disparo por sobretensión entre el 110% y 125% de la tensión de línea.

<sup>1</sup> Consulte el *Manual del usuario del ATS22*, BBV51330, para conocer la corriente nominal máxima del arrancador suave ATS22. Este valor puede ser diferente de los valores nominales del controlador ATS22 en gabinete.

<sup>2</sup> La corriente nominal de cortocircuito para los circuitos de potencia N05, R05 e Y05 con un contactor IEC es de 35 000 A en 600 V para los siguientes valores nominales de potencia:  
350 hp: Tipos 1 y 12  
300 hp: Tipo 3R o Mod X10



## Sección 2—Recibo, manejo y almacenamiento

### **▲ ADVERTENCIA**

#### **CONTROLADOR 22 EN GABINETE DAÑADO**

No haga funcionar o instale un controlador 22 en gabinete que parezca estar dañado.

**El incumplimiento de estas instrucciones puede causar la muerte, lesiones serias o daño al equipo.**

### Recibo e inspección preliminar

Antes de salir de la fábrica, analistas profesionales de control de calidad realizan una inspección visual, eléctrica y mecánica a cada controlador 22 en gabinete. La certificación de las pruebas de control de calidad están disponibles a solicitud.

Inspeccione completamente el controlador 22 en gabinete antes de almacenarlo o instalarlo. Al recibirlo:

1. Retire el controlador 22 en gabinete de su caja de embalaje y realice una inspección visual de su exterior para ver si encuentra algún daño producido durante el envío.
2. Asegúrese de que el número de catálogo en la placa de datos del controlador 22 en gabinete (figura 1 en la página 10) corresponda con el número de catálogo en la nota de embalaje y con la orden de compra correspondiente.
3. Si encuentra algún daño producido durante el envío, notifique a la compañía de transporte y a su representante de ventas de Schneider Electric.

### Almacenamiento del equipo

### **AVISO**

#### **APILAMIENTO DURANTE SU ALMACENAMIENTO O TRANSPORTE**

- Los controladores 22 en gabinete no deberán apilarse uno encima de otro a no ser que hayan sido empacados en un cajón de madera para embalaje. No apile más de tres controladores empacados en cajas de madera para embalaje.
- No coloque ningún material encima de los controladores 22 en gabinete.
- Almacene o transporte el controlador 22 en gabinete en su material de embalaje original.

**El incumplimiento de estas instrucciones puede causar daño al equipo.**

El almacenamiento del controlador 22 en gabinete en su material de embalaje original hasta que alcanza su destino final de instalación, ayuda a protegerlo y evita dañar su exterior.

- Si va a almacenar el controlador 22 en gabinete al recibirlo, vuelva a colocarlo en su material de embalaje original y almacénelo en un área

limpia y seca a una temperatura ambiente entre -25 y +70 °C (-13 y +158 °F).

- Si se va a enviar el controlador a otra ubicación, utilice el material de embalaje original y su caja de cartón para protegerlo.

## Desempaque del controlador

### Unidades de montaje en pared

ESPAÑOL

#### **▲ ADVERTENCIA**

##### **EQUIPO PESADO**

- Utilice equipo de levantamiento apropiado o dos personas para levantar el controlador 22 en gabinete.
- Siempre realice prácticas de levantamiento seguras.

**El incumplimiento de estas instrucciones puede causar la muerte, lesiones serias o daño al equipo.**

- Maneje el controlador 22 en gabinete con cuidado para evitar daños a los componentes internos, marco y su exterior.
- Se requieren dos personas o el uso de equipo de levantamiento apropiado para levantar el controlador 22 en gabinete y sacarlo de la caja de cartón y colocarlo en una superficie plana.

### Unidades de montaje en piso

Los controladores enviados de fábrica en posición vertical tiene un alto centro de gravedad, el cual puede hacer que se incline el equipo y se caiga. Los montacargas son un método conveniente para mover el equipo de montaje en piso.

#### **▲ ADVERTENCIA**

##### **CARGA INESTABLE**

- Proceda con mucho cuidado al mover equipo pesado.
- Asegúrese de que el equipo que utiliza para mover el equipo sea adecuado para su peso.
- Al retirar el equipo de la plataforma de embarque de mercancías, con cuidado equilibre y sujételo empleando una correa de seguridad.

**El incumplimiento de estas instrucciones puede causar la muerte, lesiones serias o daño al equipo.**



## Levantamiento del controlador

### **⚠ ADVERTENCIA**

#### **PELIGRO AL LEVANTAR O MANEJAR EL EQUIPO**

- Mantenga el área debajo del equipo que se está elevando libre de personal y bienes materiales.
- Utilice equipo de levantamiento apropiado para levantar el controlador 22 en gabinete. Siga el método de levantamiento que se ilustra en las figuras 2 y 3 en la página 24.
- Antes de levantar el controlador:
  - Inspeccione las placas, agujeros, ranuras y armellas de levantamiento para determinar si están dañados.
  - Coloque una barra separadora.
  - Mantenga la fuerza de levantamiento vertical.
  - Limite el ángulo de la eslinga en menos de 45°.

**El incumplimiento de estas instrucciones puede causar la muerte, lesiones serias o daño al equipo.**

Al levantar los controladores:

- Siempre trabaje en conjunto con otra persona. El peso, tamaño y forma del controlador es sustancial, por consiguiente, se requieren dos personas para poder manipularlo de manera segura.
- Use guantes resistentes a cortes.

## Controladores de montaje en pared

Al levantar los controladores de montaje en pared:

- Coloque una barra separadora en los dos agujeros de levantamiento (en la parte superior) en la placa superior del controlador y levántelo con cadenas o correas. Consulte la figura 2 en la página 24 para conocer el método de levantamiento apropiado. Consulte la figura 4 en la página 24 para conocer la ubicación de los agujeros de levantamiento.
- Levante el controlador de una posición horizontal (con la parte posterior del controlador apoyada sobre la plataforma para manejo de mercancías) hasta pararlo en posición vertical.

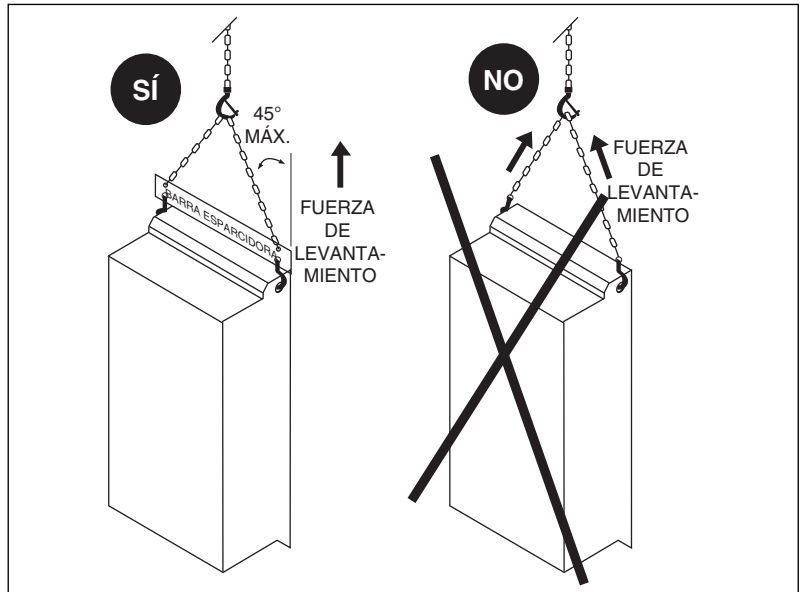
**NOTA:** La parte inferior del controlador de montaje en pared tiene una brida de montaje que evita que el controlador se pare en posición vertical. Si el controlador se apoya en la brida de montaje, se puede volcar.

## Controladores de montaje en piso

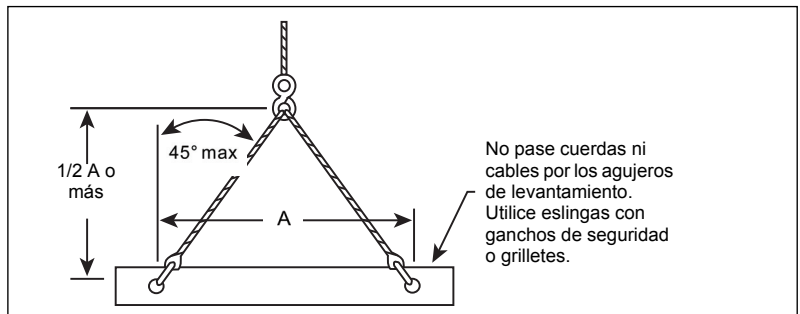
Al levantar los controladores de montaje en piso:

- Maneje el controlador en posición vertical solamente.
- Seleccione longitudes de montaje para compensar cualquier desigualdad en la distribución de peso.
- No exceda el ángulo máximo de 45° entre los cables vertical y de levantamiento (vea la figura 3 en la página 24).
- Utilice eslingas solamente con ganchos de seguridad o grilletes. No pase cables por los agujeros en la provisión de levantamiento.
- Uso apropiado de una barra esparcidora para levantar controladores de montaje en pared

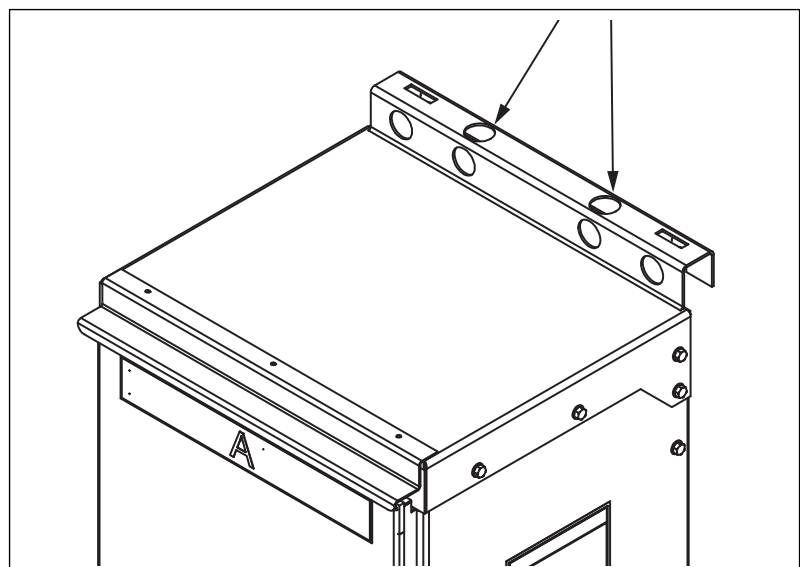
**Figura 2: Uso apropiado de una eslinga para levantar controladores de montaje en pared**



**Figura 3: Uso apropiado de una eslinga para levantar controladores de montaje en piso**



**Figura 4: Agujeros de levantamiento de los controladores 22 en gabinete**

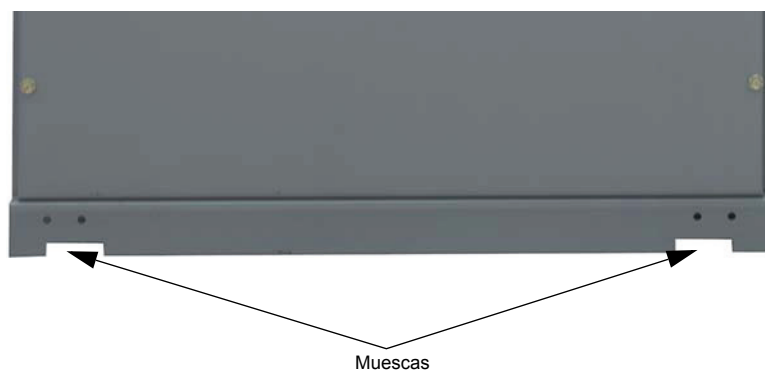


## Colocación del controlador

Empleando las muescas en los canales de la base, con cuidado desplace el controlador en su lugar con una barreta.

**NOTA:** Proceda con mucho cuidado al mover los controladores de montaje en piso, ya que pueden estar inestables. Consulte “Desempaque del controlador” en la página 22 antes de mover cualquier equipo de montaje en piso.

**Figura 5: Muecas en el canal de la base**



ESPAÑOL



## Sección 3—Instalación y puesta en marcha

### Instalación física

#### **⚠ PELIGRO**

##### **PELIGRO DE DESCARGA ELÉCTRICA, EXPLOSIÓN O DESTELLO POR ARQUEO**

Asegúrese de leer y comprender las precauciones descritas en “Antes de comenzar” que comienza en la página 8 antes de realizar los procedimientos de esta sección.

**El incumplimiento de estas instrucciones podrá causar la muerte o lesiones serias.**

ESPAÑOL

### Requisitos de montaje

#### Gabinetes tamaños A, B, C y D

Siga estos requisitos al montar el controlador 22 en gabinete:

- Instale el controlador en un entorno de contaminación grado 2 (tipo 1 [UL] o 3R [UL]) o grado 3 (tipo 12/12K [UL]), según lo definen NEMA ICS1 e IEC 60664-1.
- Coloque el controlador de montaje en pared sobre una superficie vertical plana y rígida (no combustible), adecuada para soportar el peso del controlador.
- Coloque el controlador de montaje en piso sobre una superficie vertical plana y sólida, adecuada para soportar el peso del controlador.
- Si va a realizar la perforación para la entrada de tubo conduit, proceda con cuidado para evitar que caigan pedazos de metal en piezas y tarjetas electrónicas impresas del alambrado.
- Emplee una aspiradora, al limpiar el interior y el exterior del controlador. No utilice aire comprimido ya que podría entrar contaminantes a otras partes dentro del controlador.
- Revise el gabinete para ver si encuentra daños que puedan reducir el espacio libre para las conexiones eléctricas.
- No exponga el controlador a los rayos directos del sol o monte sobre una superficie caliente.
- Al instalar los controladores de montaje en pared en sus superficies de montaje, emplee sujetadores adecuados para el peso del controlador, sacudidas y vibraciones esperadas de la instalación así como el entorno. Consulte las tablas 11 y 12 en la página 34 para obtener información sobre el peso del controlador.
- Sujete todas las cuatro esquinas del controlador.
- Utilice receptáculos para tubo conduit herméticos al agua para realizar las conexiones entre el tubo conduit y los gabinetes tipo 3R. No se recomienda realizar las conexiones del tubo conduit por la parte superior del gabinete.
- Suministre enfriamiento suficiente para la carga de calor esperada. Consulte las tablas 3 y 4 en las páginas 13 y 15 para obtener información sobre la potencia disipada en la carga nominal.
- Consulte la página 30 para las instrucciones de montaje en canal de montaje EZM.

Gabinetes tamaños E, F y G

## ⚠ ADVERTENCIA

### MONTAJE INCORRECTO

Antes de retirar el mecanismo de levantamiento:

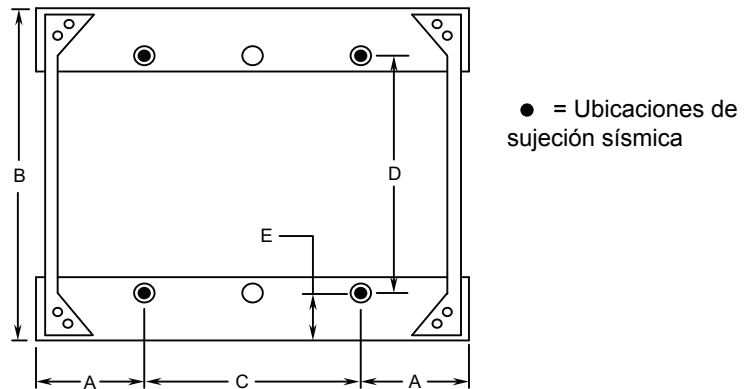
- Asegúrese de que todos los herrajes sean del tamaño y tipo apropiados para el peso del controlador.
- Sujete y apriete todos los herrajes.

**El incumplimiento de estas instrucciones puede causar la muerte, lesiones serias o daño al equipo.**

Sujete el controlador al piso empleando tornillos de 1/2 ó 3/4 grado 5 o de mejor calidad y roldanas planas (provistos por el cliente). Los agujeros de montaje de 22 mm (0,88 pulg) de diámetro, en el canal de la base, proporcionan el espacio necesario para la expansión de los sujetadores de los pernos de 1/2.

**NOTA:** Aunque el gabinete es totalmente independiente, la sujeción al piso evita su movimiento y reduce la probabilidad de que se dañen las conexiones del tubo conduit.

**Figura 6: Dimensiones de montaje del canal de la base tipos 1 y 12**

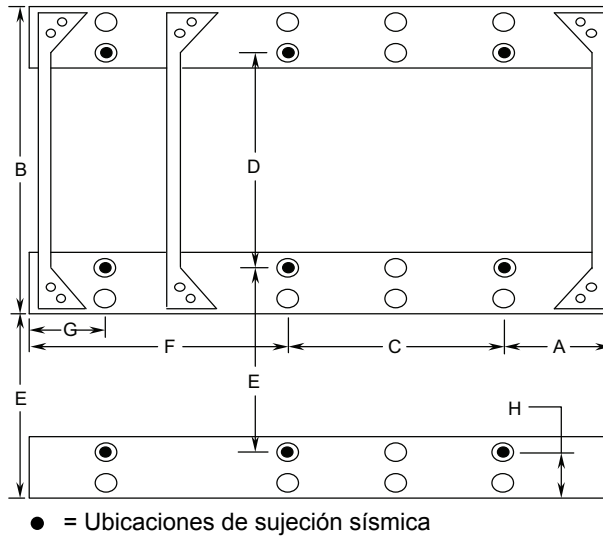


**Tabla 9: Dimensiones de los gabinetes tipos 1 y 12 (vea la figura 6)**

Letra	Ancho de la sección pulg (mm)	Medida pulg (mm)
A	N/A	127 (5,00)
B	N/A	508 (20,00)
C	508 (20,00)	254 (10,00)
	635 (25,00)	381 (15,00)
	762 (30,00)	508 (20,00)
D	N/A	380 (14,98)
E	N/A	64 (2,50)

N/A = No aplicable

**Figura 7: Dimensiones de la sección tipo 3R**



**Tabla 10: Dimensiones del gabinete tipo 3R (vea la figura 7)**

Letra	Ancho de la sección pulg (mm)	Medida pulg (mm)
A	N/A	127 (5,00)
B	N/A	508 (20,00)
C	508 (20,00)	254 (10,00)
	635 (25,00)	381 (15,00)
	762 (30,00)	508 (20,00)
D	N/A	380 (14,98)
E	N/A	295 (11,60)
F	N/A	318 (12,50)
G	N/A	127 (5,00)
H	N/A	91 (3,60)

N/A = No aplicable

## Requisitos de espacio

Al montar los controladores 22 en gabinete, observe los siguientes requisitos de espacio:

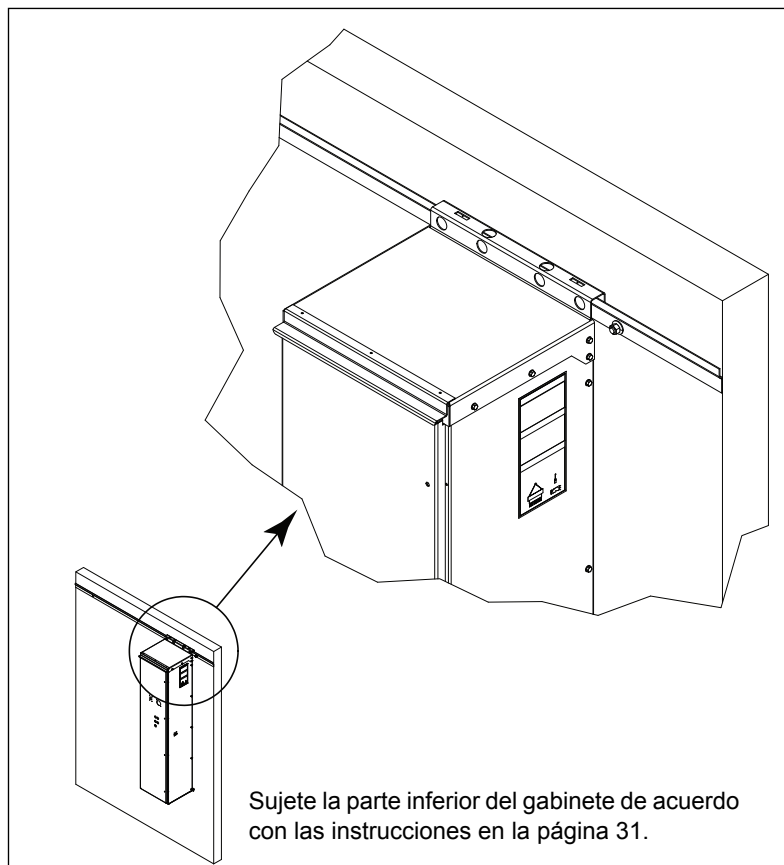
- Monte cada controlador de manera que la puerta pueda abrirse por lo menos en un ángulo de 90°.
- Equipo de montaje en pared:
  - Deje un espacio libre de 50 mm (2 pulg) como mínimo en la parte superior e inferior de cada controlador.
  - Deje un espacio libre de 25 mm (1 pulg) como mínimo a la izquierda y derecha de cada controlador.
  - Deje un espacio libre mínimo de 0,914 m (3 pies) en el frente del controlador.
- Equipo de montaje en piso:
  - Deje un espacio libre mínimo de 0,914 m (3 pies) en el frente del controlador.
  - Deje un espacio mínimo de 13 mm (0,5 pulg) entre la parte posterior del controlador y la pared. En las ubicaciones con humedad, deje un espacio mínimo de 152 mm (6 pulg).

## Canal de montaje EZM

Es posible usar un canal de montaje EZM para montar un solo gabinete de montaje en pared o para asistirle en la alineación de múltiples gabinetes.

**NOTA:** El montaje EZM no puede cumplir con los requisitos de actividad sísmica. Deberán emplearse métodos de montaje normales para cumplir con los requisitos de actividad sísmica.

**Figura 8: Canal de montaje EZM**



Observe los siguientes requisitos para el montaje EZM:

- Sujete firmemente el canal de montaje EZM a una pared adecuada para soportar el peso total de los controladores.
- Agregue puntos adicionales de sujeción a la pared en el canal de montaje EZM de la siguiente manera, prestando particular atención a la construcción de la pared:

### Disparo en derivación (B05)

- Consulte la tabla 11 en la página 34 para obtener información sobre la gama de tensión, potencia y tipo de gabinete.
- **Gabinetes tamaño A:** Para un riel de 1 829 mm (72 pulg) con un máximo de ocho controladores tamaño A, no localice los puntos de sujeción del riel más de 229 mm (9 pulg) desde cada extremo, y no deje más de 635 mm (25 pulg) entre cada punto de sujeción adicional.
- **Gabinetes tamaño B:** Para un riel de 1 829 mm (72 pulg) con un máximo de seis controladores tamaño B, no localice los puntos de sujeción del riel más de 102 mm (4 pulg) desde cada extremo, y no



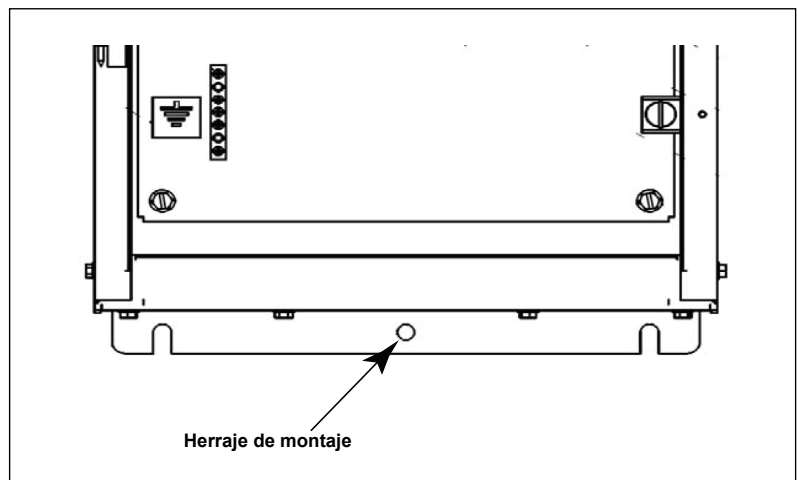
deje más de 381 mm (15 pulg) entre cada punto de sujeción adicional.

- **Gabinetes tamaño D:** Para un riel de 1 829 mm (72 pulg) con un máximo de cinco controladores tamaño D, no localice los puntos de sujeción del riel más de 102 mm (4 pulg) desde cada extremo, y no deje más de 381 mm (15 pulg) entre cada punto de sujeción adicional.

**Opciones de circuitos de alimentación (S05, N05, R05 o Y05)**

- Consulte la tabla 12 en la página 35 para obtener información sobre la gama de tensión, potencia y tipo de gabinete.
  - **Gabinetes tamaño B:** Para un riel de 1 829 mm (72 pulg) con un máximo de seis controladores tamaño B, no localice los puntos de sujeción del riel más de 229 mm (9 pulg) de cada extremo, y no deje más de 635 mm (25 pulg) entre cada punto de sujeción adicional.
  - **Gabinetes tamaños C y D:** Para un riel de 1 829 mm (72 pulg) con un máximo de cinco controladores tamaño C o D, no localice los puntos de sujeción del riel más de 102 mm (4 pulg) de cada extremo, y no deje más de 381 mm (15 pulg) entre cada punto de sujeción adicional.
- Emplee herrajes de 5/16 grado 5 o mejor para sujetar el riel a la pared. Emplee herrajes de sujeción adicionales si es necesario para el material utilizado en la construcción de la pared.
  - Utilice herrajes de 5/16 adicionales en el reborde inferior del gabinete. Vea la figura 9.

**Figura 9: Herrajes de montaje EZM**



## Criterio de montaje de conformidad con actividad sísmica

La calificación sísmica (MOD S07) armoniza las siguientes normas en conformidad con el protocolo de prueba para el criterio de aceptación ICC ES AC156 con un factor de importancia de 1,5:

- 2003 IBC (código de construcción internacional)
- NFPA 5000 (código de construcción de la asociación profesional de ingeniería de protección contra incendios, APICI)
- 2001 CBC (código de construcción canadiense)
- 1997 UBC (código de construcción uniforme)
- 1999 NBC (código de construcción nacional BOCA)
- 1999 SBC (código de construcción estándar)
- ASCE 7 (sociedad americana de ingenieros civiles)

En conformidad con los requisitos de instalación para actividad sísmica:

- Siga los procedimientos de montaje y sujeción delineados en las etiquetas de calificación sísmica adheridas en el controlador (vea las figuras 10 a 12 en las páginas 33 y 34).
- Emplee roldanas y tornillos SAE grado 5.
- Apriete todos los tornillos según las normas de SAE para los herrajes de grado 5, teniendo en cuenta todos los factores de revestimiento y lubricación.

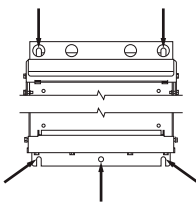
### **⚠ ADVERTENCIA**

#### **RIESGO DE QUE SE CAIGA Y APLASTE**

- Siga todas las prácticas recomendadas al sostener y sujetar el equipo apropiado para actividad sísmica.
- Vuelva a colocar todas las cubiertas y sujete las puertas antes de poner en servicio el equipo.

**El incumplimiento de estas instrucciones puede causar la muerte, lesiones serias o daño al equipo.**

**Figura 10: Requisitos de sujeción apropiados para actividad sísmica para los gabinetes de montaje en pared, etiqueta 80463-017-01**



Seismic Anchorage Location  
Ubicación de los sujetadores antisísmicos  
Emplacement d'ancrage anti-séisme

### Seismic Anchorage Requirements

### Requisitos de los sujetadores antisísmicos

### Exigences d'ancrage anti-séisme

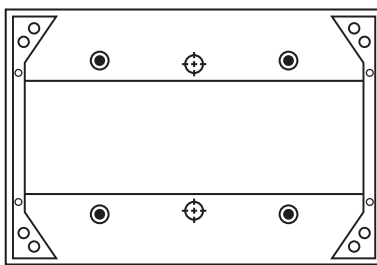
80463-017-01

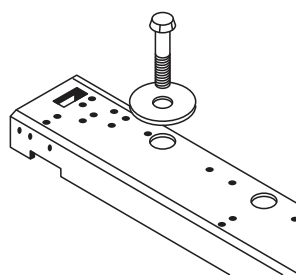
ENGLISH	SPANISH	FRENCH
<ul style="list-style-type: none"> <li>To maintain Seismic Qualification each individual enclosure must be anchored to wall at all five mounting locations shown above.</li> <li>Refer to the current International Building Code, ASCE/SEI 7, or the National Building Code of Canada for the location-specific values of the 0.2 second spectral value of acceleration (Ss for the U.S. or Sa(0.2) for Canada).</li> <li>Use 3/8 in. Grade 5 bolts and appropriate washers</li> <li>In order to develop full strength of the anchor, torque bolts to the value specified by the anchor manufacturer.</li> <li>Refer to instruction manual for seismic installation instructions.</li> </ul>	<ul style="list-style-type: none"> <li>Para mantener la calificación sísmica, cada gabinete individual deberá ser sujetado a la pared en las cinco ubicaciones de montaje mostradas en la figura de arriba.</li> <li>Consulte el código de construcción internacional actual, ASCE/SEI 7, o bien, el código de construcción nacional de Canadá para obtener los valores de la ubicación específica para la aceleración espectral de 0,2 segundo (Ss para los EUA o Sa(0,2) para Canadá).</li> <li>Utilice tornillos de 10 mm (3/8 pulg) y rondanas.</li> <li>Para obtener la máxima resistencia de los herrajes de sujeción, apriételes en los valores especificados por el fabricante.</li> <li>Consulte el boletín para obtener las instrucciones de instalación antisísmica.</li> </ul>	<ul style="list-style-type: none"> <li>Pour maintenir la qualification sismique, chaque armoire individuelle doit être ancrée au mur aux cinq emplacements de fixation indiqués ci-dessus.</li> <li>Se reporter au code de construction international (International Building Code), ASCE/SEI 7 ou au Code national du bâtiment du Canada en vigueur pour la valeur d'accélération spectrale de réponse à 0,2 seconde (Ss aux É-U. ou Sa(0,2) au Canada) applicable à votre site.</li> <li>Utiliser des boulons grade 5 de 3/8 po et des rondelles appropriées.</li> <li>Pour développer la résistance totale des ancrs, serrer les boulons au couple spécifié par leur fabricant.</li> <li>Se reporter aux directives d'utilisation pour obtenir les directives d'installation anti-séisme.</li> </ul>

ESPAÑOL

**Figura 11: Requisitos de sujeción apropiados para actividad sísmica para los gabinetes de montaje en piso, etiqueta 80463-018-01**

● Seismic Anchorage Location  
Ubicación de los sujetadores antisísmicos  
Emplacements d'ancrage anti-séisme





#### Seismic Anchorage Requirements

- To maintain Seismic Qualification each individual section must be anchored at the floor locations shown above.
- For seismic hazard areas with an Ss acceleration value in excess of 2.67g (New Madrid Seismic Hazard Area) each individual section must be laterally braced at the top. Refer to the current International Building Code, ASCE/SEI 7, or the National Building Code of Canada for the location-specific values of the 0.2 second spectral value of acceleration (Ss for the U.S. or Sa(0.2) for Canada).
- Use 1/2" or 3/4" SAE Grade 5 bolts (supplied by others) and the appropriate Belleville Spring washers (supplied with the equipment). In order to develop full strength of the anchor, torque bolts to the value specified by the anchor manufacturer.
- Refer to instruction manual for installation instructions.

#### Requisitos de los sujetadores antisísmicos

- Para mantener la calificación sísmica, cada sección individual debe ser sujetada al piso en las ubicaciones que muestra la figura anterior.
- En zonas de riesgo sísmico con un valor de aceleración Ss mayor que 2,67g (zona de riesgo sísmico de Nuevo Madrid), cada sección individual debe ser reforzada por los lados en la parte superior. Consulte el código de construcción internacional actual, ASCE/SEI 7, o bien, el código de construcción nacional de Canadá para obtener los valores de la ubicación específica para la aceleración espectral de 0,2 segundo (Ss para los EUA o Sa(0,2) para Canadá).
- Emplee tornillos de 12 mm (0,5 pulg) o 19 mm (0,75 pulg) SAE grado 5 (provistos por terceros) y rondanas de resorte Belleville apropiadas incluidas con el equipo. Para obtener la máxima resistencia de los herrajes de sujeción, apriételes en los valores especificados por el fabricante.
- Consulte el boletín para obtener las instrucciones de instalación.

#### Exigences d'ancrage anti-séisme

- Pour maintenir la qualification anti-séisme, chaque section doit être ancrée aux emplacements du sol indiqués ci-dessus.
- Une valeur d'accélération Ss supérieure à 2,67 g (zone sismique de New Madrid), chaque section individuelle doit être ancrée latéralement au haut. Se reporter au code de construction international (International Building Code), ASCE/SEI 7 ou au Code national du bâtiment du Canada en vigueur pour la valeur d'accélération spectrale de réponse à 0,2 seconde (Ss aux É-U. ou Sa(0,2) au Canada), applicable à votre site.
- Utiliser des boulons SAE grade 5 de 12 mm (1/2 po) ou 19 mm (3/4 po) (fournis par des tiers) et les rondelles de sûreté Belleville appropriées fournies avec l'appareil. Pour exploiter la résistance totale des ancrs, serrer les boulons au couple spécifié par leur fabricant.
- Se reporter aux directives d'utilisation pour obtenir les directives d'installation

80463-018-01 REV -

Figura 12: Requisitos de soporte lateral para los gabinetes de montaje en piso, etiqueta 80463-019-01

● Seismic Anchorage Location  
Ubicación de los sujetadores antisísmicos  
Emplacements d'ancrage anti-séisme

**Seismic Anchorage Requirements**

- For seismic hazard areas with an Ss acceleration value in excess of 2.67g (New Madrid Seismic Hazard Area) each individual section must be laterally braced at the top and connected to the building load bearing structural system. Refer to the current International Building Code, ASCE/SEI 7, or the National Building Code of Canada for the location-specific values of the 0.2 second spectral value of acceleration (Ss for the U.S. or Sa(0.2) for Canada).
- Remove lifting bracket, after the section enclosure has been installed, and attach lateral brace (supplied by others), re-using bolt and lock washer or user supplied hardware.
- Each section must also be anchored at the base (as shown on the instruction label located on the inside of the bottom located horizontal wire-way cover plate).
- Refer to instruction manual for installation instructions.

**Requisitos de los sujetadores antisísmicos**

- En zonas de riesgo sísmico con un valor de aceleración Ss mayor que 2,67g (zona de riesgo sísmico de Nuevo Madrid), cada sección individual debe ser reforzada por los lados en la parte superior y conectada al sistema estructural de soporte de carga del edificio. Consulte el código de construcción internacional actual, ASCE/SEI 7, o bien, el código de construcción nacional de Canadá para obtener los valores de la ubicación específica para la aceleración espectral de 0,2 segundo (Ss para los EUA o Sa(0,2) para Canadá).
- Retire el soporte de levantamiento después de haber instalado el gabinete de la sección y conecte el soporte lateral (provisto por terceros); vuelva a usar el tornillo y la roldana de sujeción, o bien, los herrajes provistos por el usuario.
- Cada sección debe también ser sujeta a la base como se ilustra en la etiqueta de instrucciones, situada en el interior, en la placa protectora de la canalización de cables horizontal inferior.
- Consulte el boletín para obtener las instrucciones de instalación.

**Exigences d'ancrage anti-séisme**

- Pour les régions avec risque de séisme ayant une valeur d'accélération Ss supérieure à 2,67 g (zone sismique de New Madrid), chaque section individuelle doit être ancrée latéralement au haut et raccordée au système structural portant la charge de l'immeuble. Se reporter au code de construction international (International Building Code), ASCE/SEI 7 ou au Code national du bâtiment du Canada en vigueur pour la valeur d'accélération spectrale de réponse à 0,2 seconde (Ss aux É-U. ou Sa(0,2) au Canada), applicable à votre site.
- Enlever le support de levage après avoir installé l'armoire de la section et attacher l'ancre latérale (fournie par des tiers) réutilisant le boulon et la rondelle de sûreté ou à l'aide de la quincaillerie fournie par l'utilisateur.
- Chaque section doit être également ancrée à la base (comme indiqué sur l'étiquette de directives placée à l'intérieur de la plaque de recouvrement de la goulotte guide-fils verticale inférieure).
- Se reporter aux directives d'utilisation pour obtenir les directives d'installation

80463-019-01 REV -

ESPAÑOL

## Peso

Tabla 11: Valores nominales y peso del controlador 22 en gabinete (B05)

Valor nominal del controlador			Peso kg (lbs)	Referencia de tamaños de gabinete
40 °C (104 °F) hp	Typo 3R (UL) o 50 °C (122 °F) hp	V		
3-10	3-10	208	28 (63)	A
5-15	5-10	230		
10-30	10-25	460		
15-40	15-30	575		
15-25	10-20	208	30 (68)	
20-30	15-25	230		
40-60	30-50	460		
50-75	40-60	575		
30-50	25-40	208	44 (98)	B
40-60	30-50	230		
75-125	60-100	460		
100-150	75-125	575		

**Tabla 11: Valores nominales y peso del controlador 22 en gabinete (B05) (continuación)**

Valor nominal del controlador			Peso kg (lbs)	Referencia de tamaños de gabinete
40 °C (104 °F) hp	Typo 3R (UL) o 50 °C (122 °F) hp	V		
60–125	50–100	208	91 (200)	D
75–150	60–125	230		
150–300	125–250	460		
200–300	150–300	575		
150	125	208	223 (492)	E
200	150	230		
350–400	300–350	460		
400–500	350–400	575		

**Tabla 12: Valores nominales y peso del controlador 22 en gabinete<sup>1</sup> (S05, N05, R05, Y05)**

Valor nominal del controlador			Peso kg (lbs)	Referencia de tamaños de gabinete
40 °C (104 °F) hp	Typo 3R (UL) o 50 °C (122 °F) hp	V		
3–10	3–10	208	57 (125)	B
5–15	5–10	230		
10–30	10–25	460		
15–40	15–30	575		
15–25	15–20	208	73 (160)	C
20–30	15–25	230		
40–60	30–50	460		
50–75	40–60	575		
30–50	25–40	208	93 (205)	D
40–60	30–50	230		
75–125	60–100	460		
100–150	75–125	575		
60–125	50–100	208	376 (830)	F
75–150	60–125	230		
150–300	125–250	460		
200–300	150–300	575		
150	125	208	443 (976)	G
200	150	230		
350–400	300–350	460		
400–500	350–400	575		

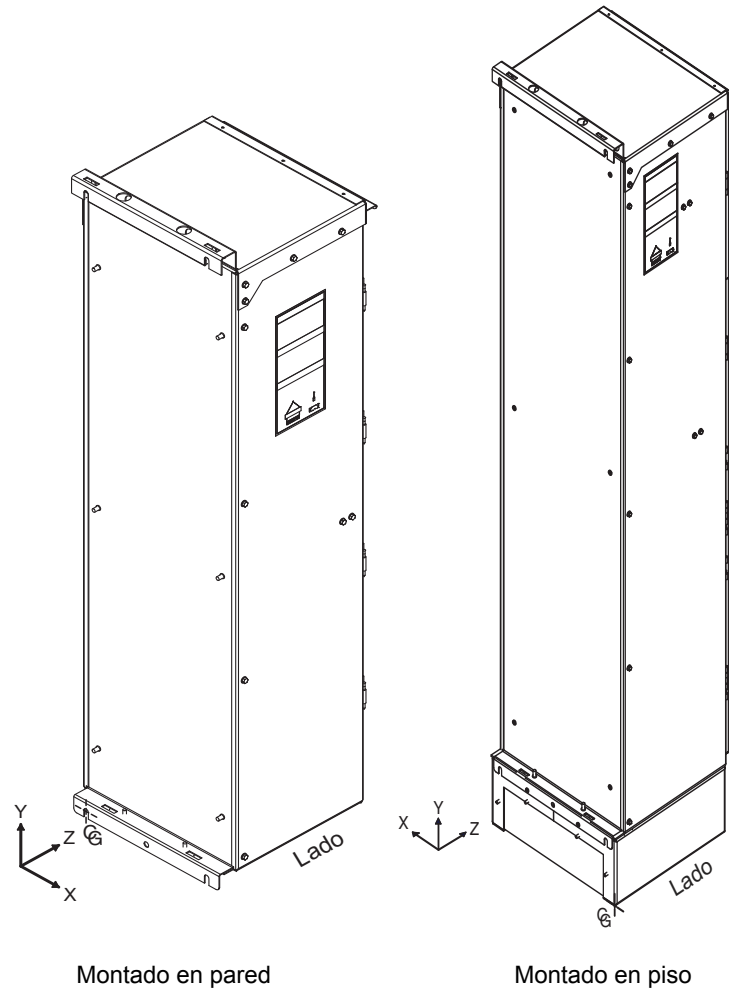
<sup>1</sup> El peso indicado es para el circuito de alimentación Y05 (derivación integral) y puede ser diferente de las opciones de alimentación y opciones varias seleccionadas.

ESPAÑOL

## Centro de gravedad

La información sobre el centro de gravedad ha sido incluida para ser usada como referencia durante el montaje y para su consideración en el análisis estructural. La información provista se refiere a la esquina inferior izquierda (montaje en pared) o derecha (montaje en piso) de los controladores. Vea la figura 13.

Figura 13: Centro de gravedad



**Tabla 13: Centro de gravedad (B05)**

Valor nominal del controlador			X mm (pulg)	Y mm (pulg)	Z mm (pulg)	Referencia de tamaños de gabinete
40 °C (104 °F) hp	Typo 3R (UL) o 50 °C (122 °F) hp	V				
3-25	15-20	208	116,8 (4,6)	391,2 (15,4)	170,2 (6,7)	A
5-30	15-25	230				
10-60	30-50	460				
15-75	40-60	575				
30-50	25-40	208	124,5 (4,9)	675,6 (26,6)	177,8 (7,8)	B
40-60	30-50	230				
75-125	60-100	460				
100-150	75-125	575				
60-125	50-100	208	149,9 (5,9)	889,0 (35,0)	205,7 (8,1)	D
75-150	60-125	230				
150-300	125-250	460				
200-300	150-300	575				
150	125	208	274,3 (10,8)	1 391,9 (54,8)	228,6 (9,8)	E
200	150	230				
350-400	300-350	460				
400-500	350-400	575				

**Tabla 14: Centro de gravedad 1 (S05, N05, R05, Y05)**

Valor nominal del controlador			X mm (pulg)	Y mm (pulg)	Z mm (pulg)	Referencia de tamaños de gabinete
40 °C (104 °F) hp	Typo 3R (UL) o 50 °C (122 °F) hp	V				
3-10	3-10	208	142,2 (5,6)	624,8 (24,6)	193,0 (7,6)	B
5-15	5-10	230				
10-30	10-25	460				
15-40	15-30	575				
15-25	15-20	208	147,3 (5,8)	678,2 (26,7)	182,9 (7,2)	C
20-30	15-25	230				
40-60	30-50	460				
50-75	40-60	575				
30-50	25-40	208	165,1 (6,5)	845,8 (33,3)	203,2 (8,0)	D
40-60	30-50	230				
75-125	60-100	460				
100-150	75-125	575				
60-125	50-100	208	340,4 (13,4)	1 366,5 (53,8)	226,1 (8,9)	F
75-150	60-125	230				
150-300	125-250	460				
200-300	150-300	575				
150	125	208	403,9 (15,9)	1 338,6 (52,7)	259,1 (10,2)	G
200	150	230				
350-400	300-350	460				
400-500	350-400	575				

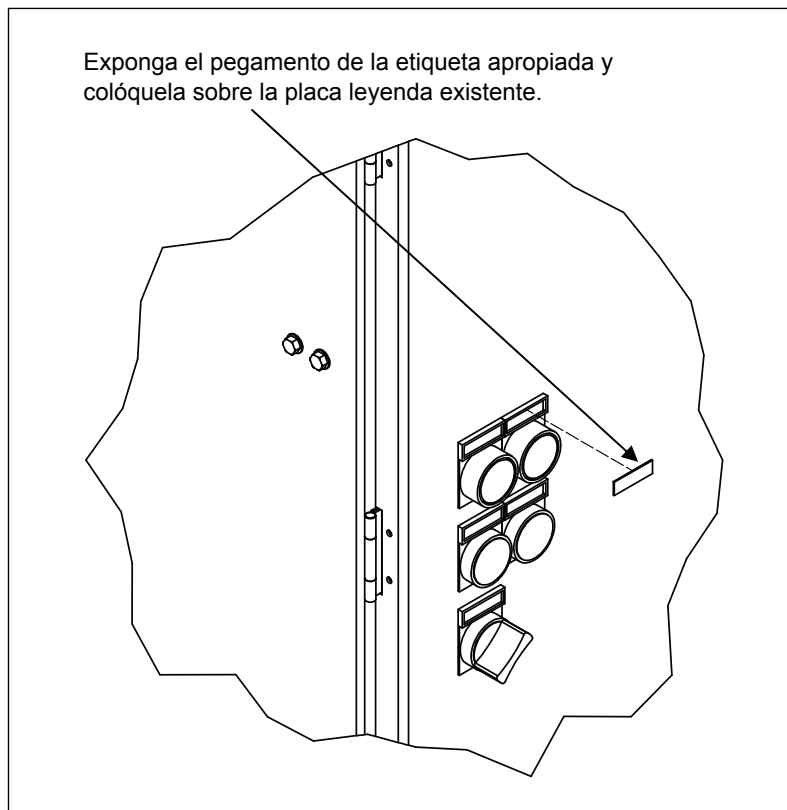
<sup>1</sup> Las mediciones del centro de gravedad provistas son para el circuito de alimentación Y05 (derivación integral) y pueden ser diferentes de las opciones de alimentación y opciones varias seleccionadas.

## Kit de placa leyenda trilingüe

Un kit de placa leyenda trilingüe ha sido incluido en el paquete de instrucciones del controlador 22 en gabinete. El kit se deberá usar en aplicaciones que requieran que el operador y las lámparas tengan placas leyenda en español o francés.

Seleccione la etiqueta apropiada del kit y colóquela sobre la placa leyenda existente como se ilustra en la figura 14.

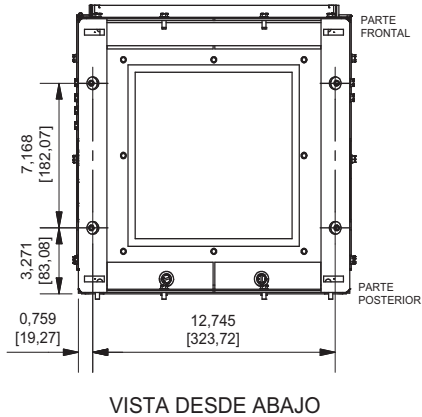
**Figura 14: Colocación de la etiqueta**





## Instalación del kit de montaje en piso (MOD A10) opcional

Figura 15: Agujeros de montaje del sujetador para el kit de montaje en piso (pulg [mm])



El kit de montaje en piso opcional se encuentra disponible para las opciones de alimentación en los gabinetes tamaño D. Consulte las tablas 11 y 12 en las páginas 34 y 35 para obtener información sobre la gama de potencia, tipo de gabinete y circuito de alimentación aplicable.

### ⚠ ADVERTENCIA

#### RIESGO DE QUE SE CAIGA Y APLASTE

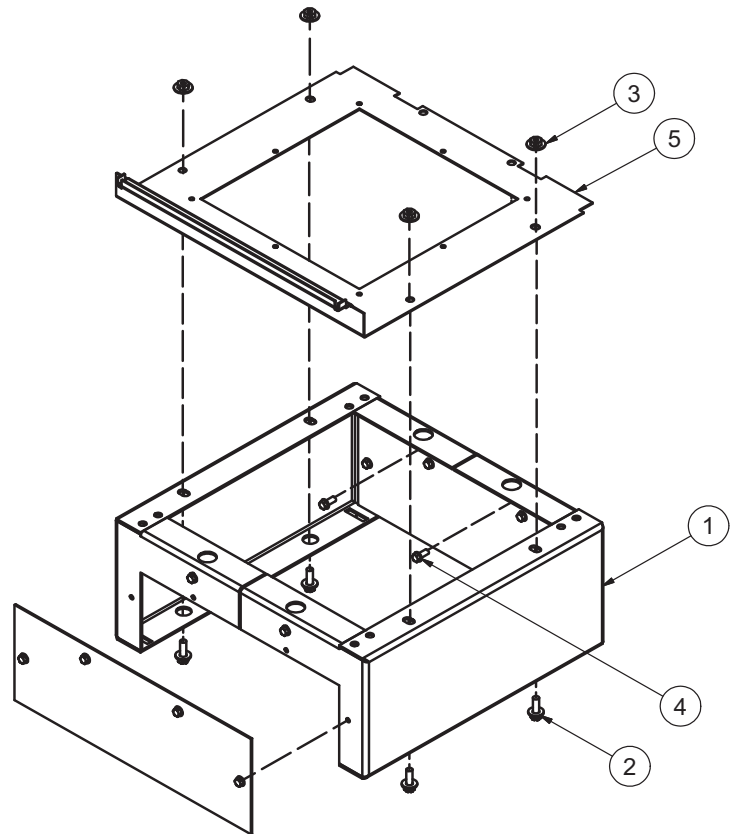
- Siga todas las prácticas recomendadas al sostener y sujetar el equipo apropiado para actividad sísmica.
- Vuelva a colocar todas las cubiertas y sujete las puertas antes de poner en servicio el equipo.

**El incumplimiento de estas instrucciones puede causar la muerte, lesiones serias o daño al equipo.**

El kit viene con el controlador 22 en gabinete en un paquete por separado e incluye los herrajes necesarios para montar el ensamble. Para instalar el kit (consulte la figura 16 para identificar cada elemento numerado):

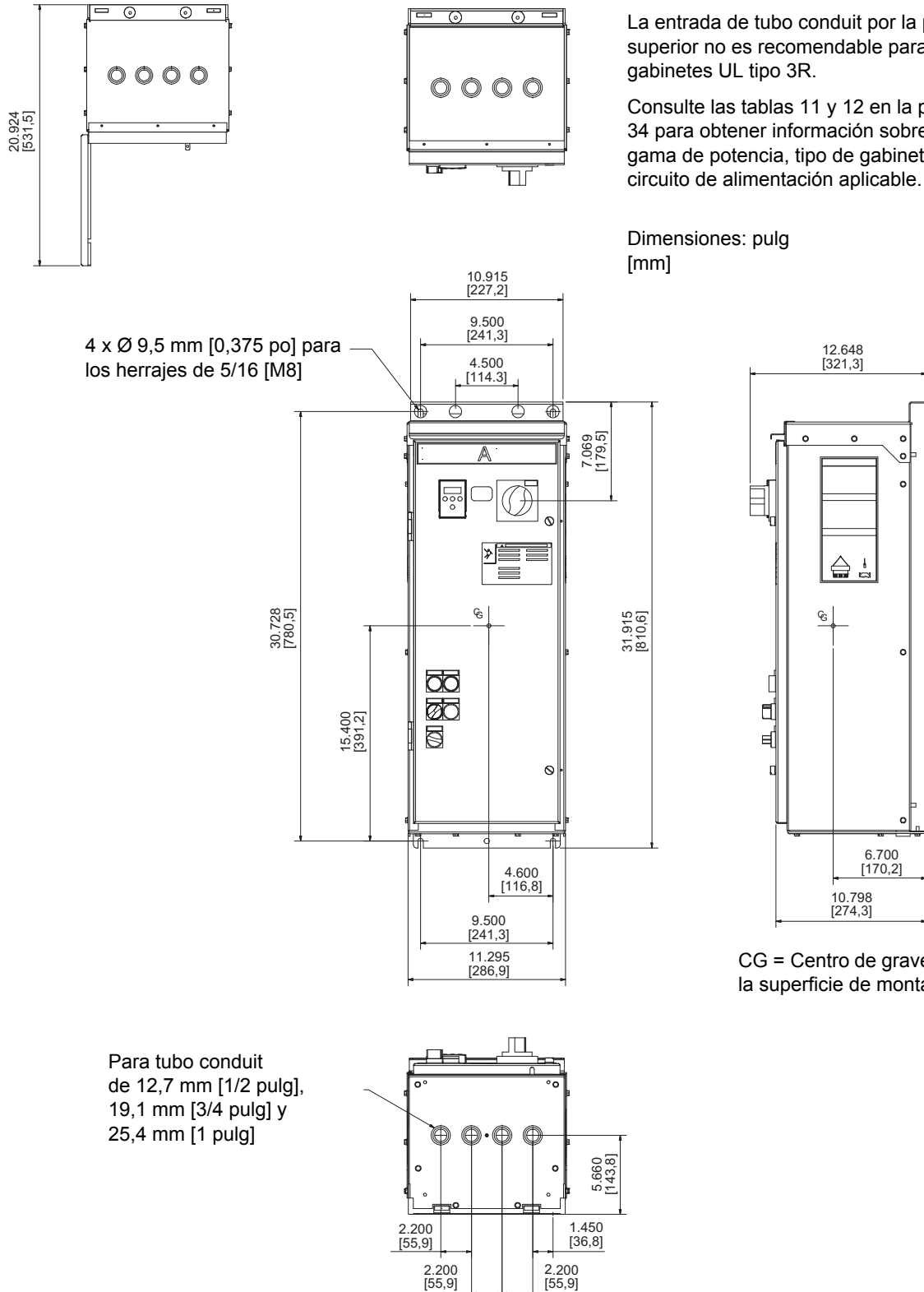
1. Extraiga los tornillos de fijación que sujetan el gabinete a la plataforma de embarque de mercancías antes de conectar el kit de montaje al piso.
2. Extraiga los cuatro tornillos (2) instalados en la placa inferior (5) del gabinete.
3. Empleando las tuercas (3) provistas, instale el kit de montaje en piso (1) en la placa inferior (5) del gabinete. Abra la puerta del gabinete y apriete el ensamble atornillado en 6,8 a 8,1 N•m (60 a 72 lbs-pulg).
4. Coloque dos tornillos (4) en el reborde inferior del gabinete. Apriete los tornillos de 4,5 a 5,4 N•m (40 a 48 lbs-pulg)
5. Cierre la puerta del gabinete. El kit de montaje en piso ya está instalado y el controlador 22 en gabinete está listo para instalarse.

Figura 16: Kit de montaje en piso



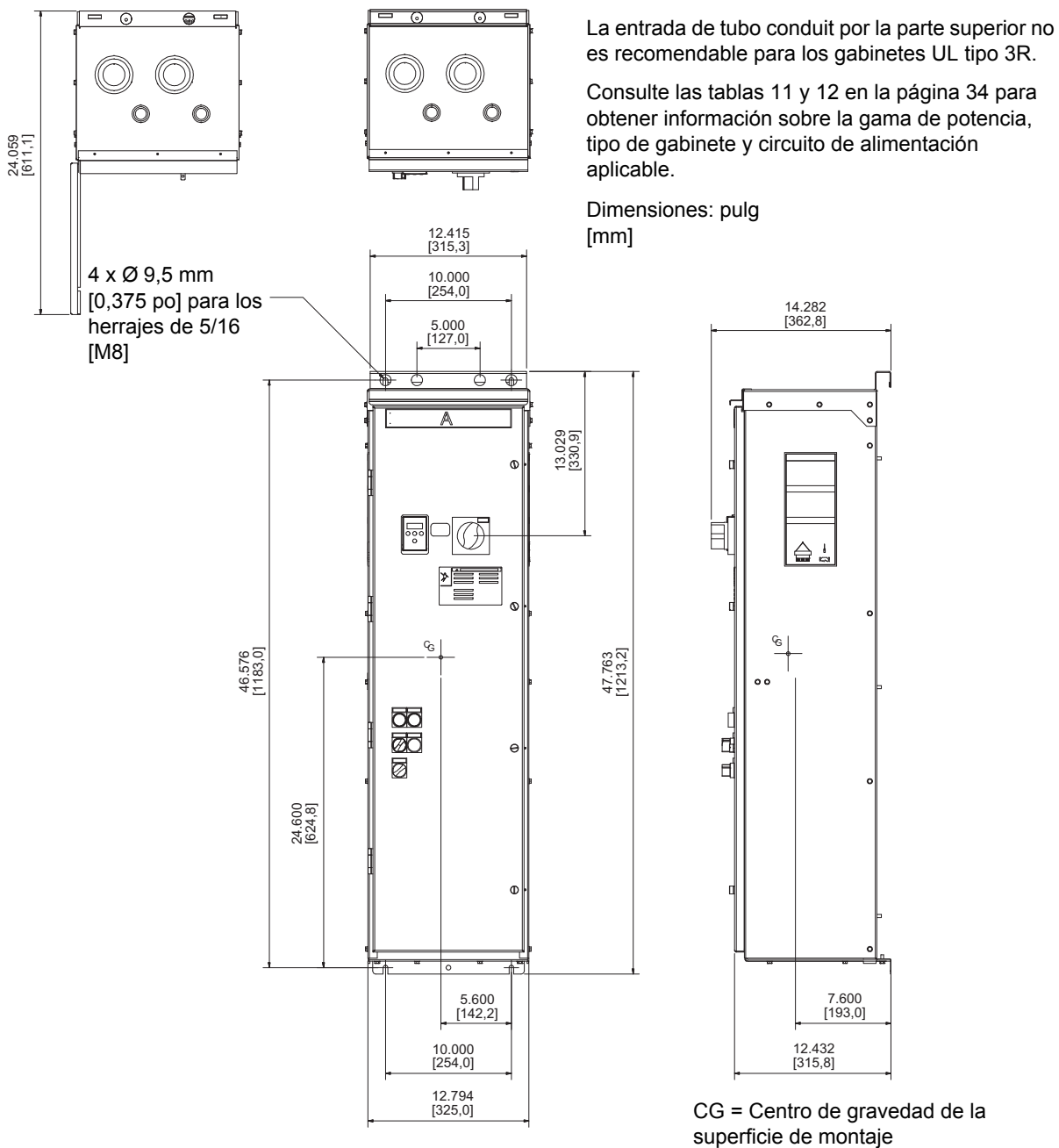
## Dimensiones

Figura 17: Gabinete tamaño A

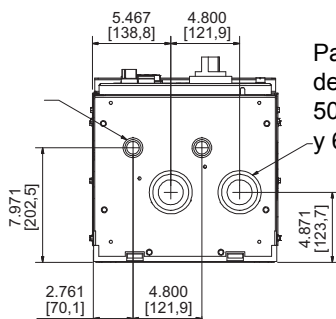


ESPAÑOL

Figura 18: Gabinete tamaño B

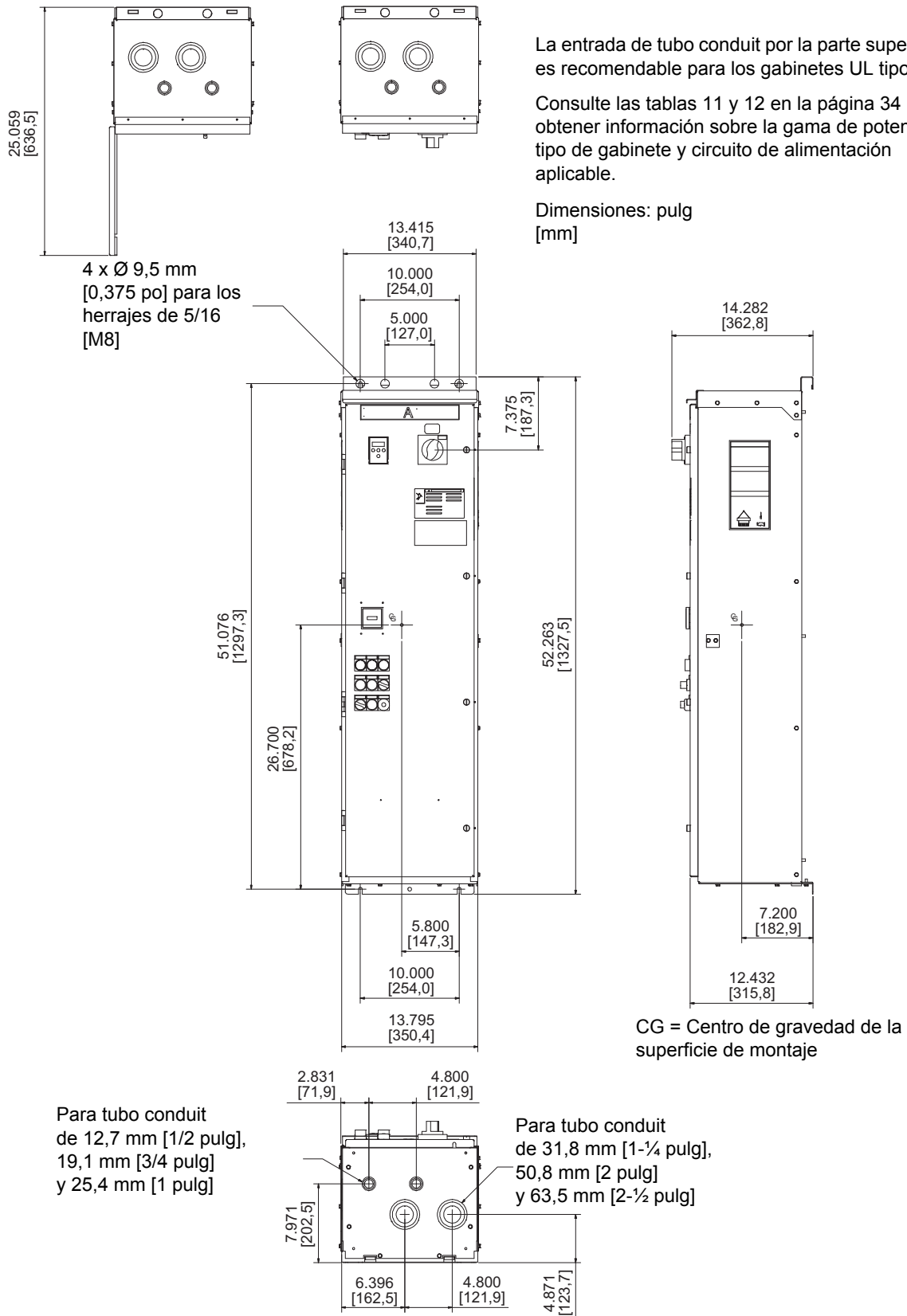


Para tubo conduit de 12,7 mm [1/2 pulg], 19,1 mm [3/4 pulg] y 25,4 mm [1 pulg]



Para tubo conduit de 31,8 mm [1-¼ pulg], 50,8 mm [2 pulg] y 63,5 mm [2-½ pulg]

Figura 19: Gabinete tamaño C



ESPAÑOL

Figura 20: Gabinete tamaño D

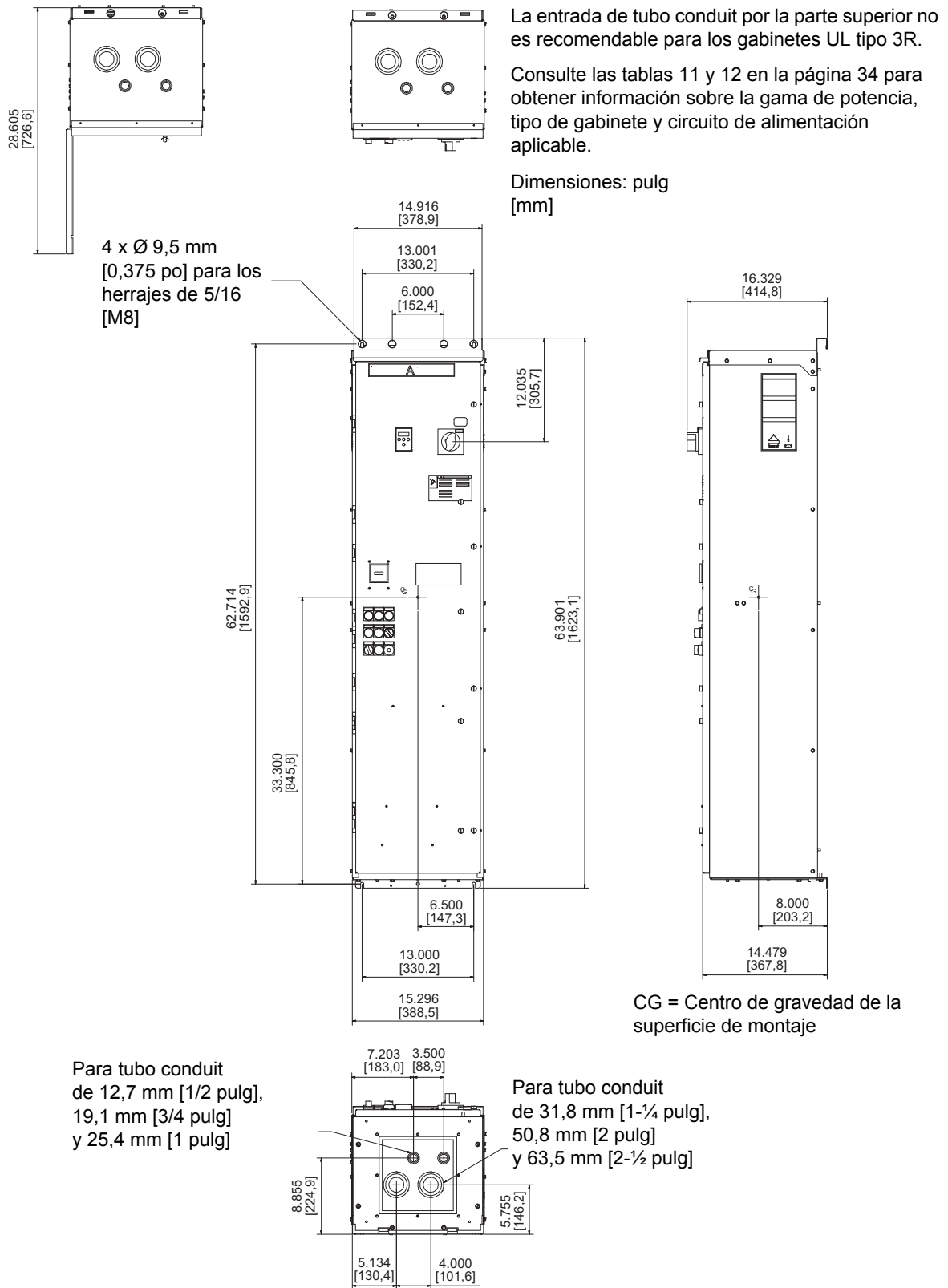
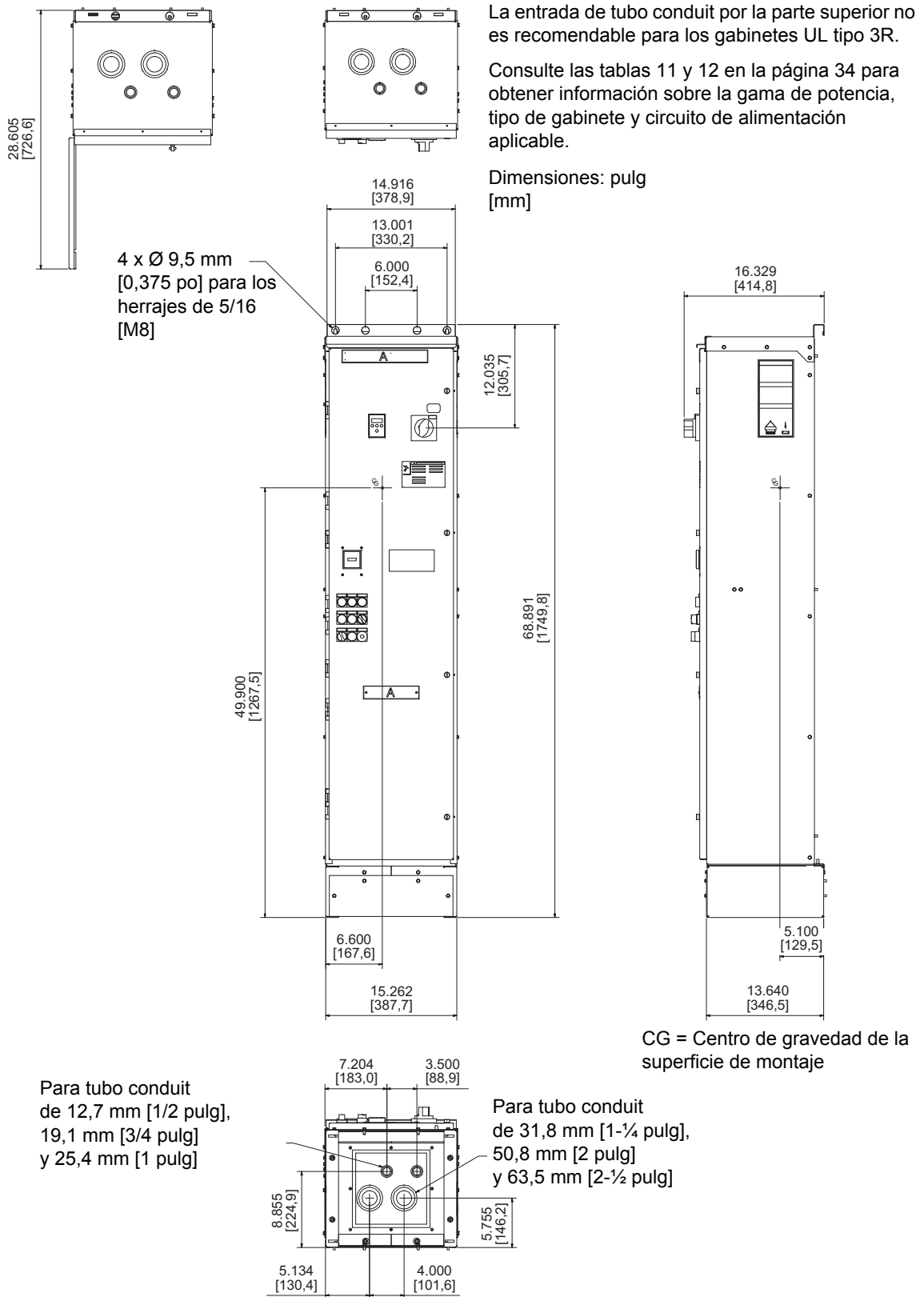
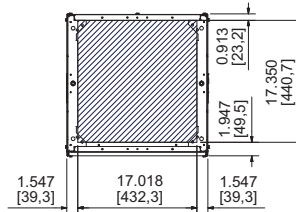
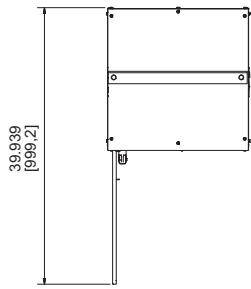


Figura 21: Gabinete tamaño D con el kit de montaje en piso



ESPAÑOL

Figura 22: Gabinete tamaño E, tipo 1 y 12



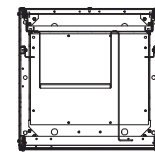
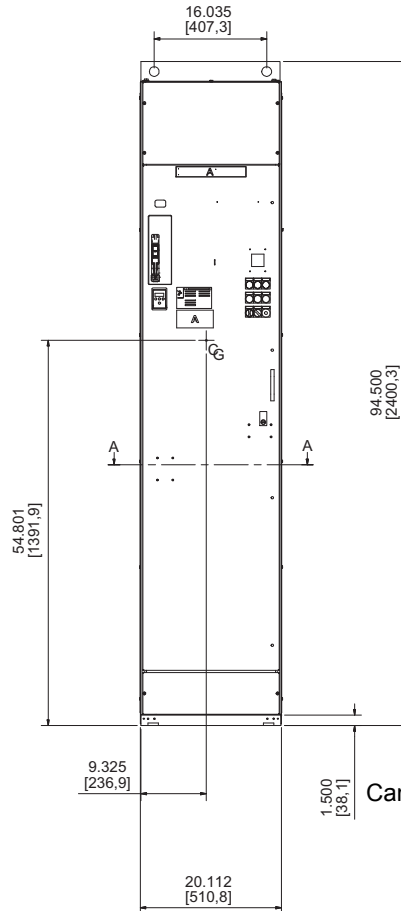
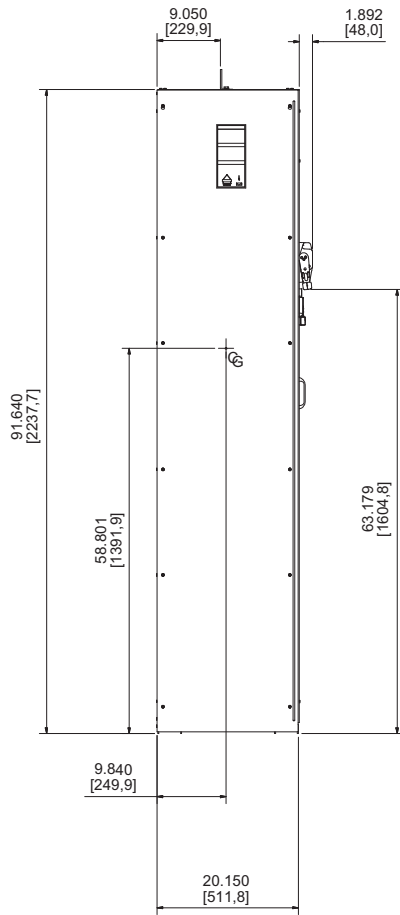
La entrada de tubo conduit se muestra en el área rayada sombreada.

Consulte las tablas 11 y 12 en la página 34 para obtener información sobre la gama de potencia, tipo de gabinete y circuito de alimentación aplicable.

Dimensiones: pulg  
[mm]

CG = Centro de gravedad de la superficie de montaje

ESPAÑOL



Sección A-A

Barra de puesta a tierra situada 101,6 mm (4 pulg) por encima de la placa inferior

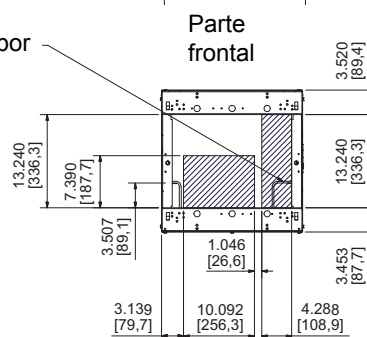
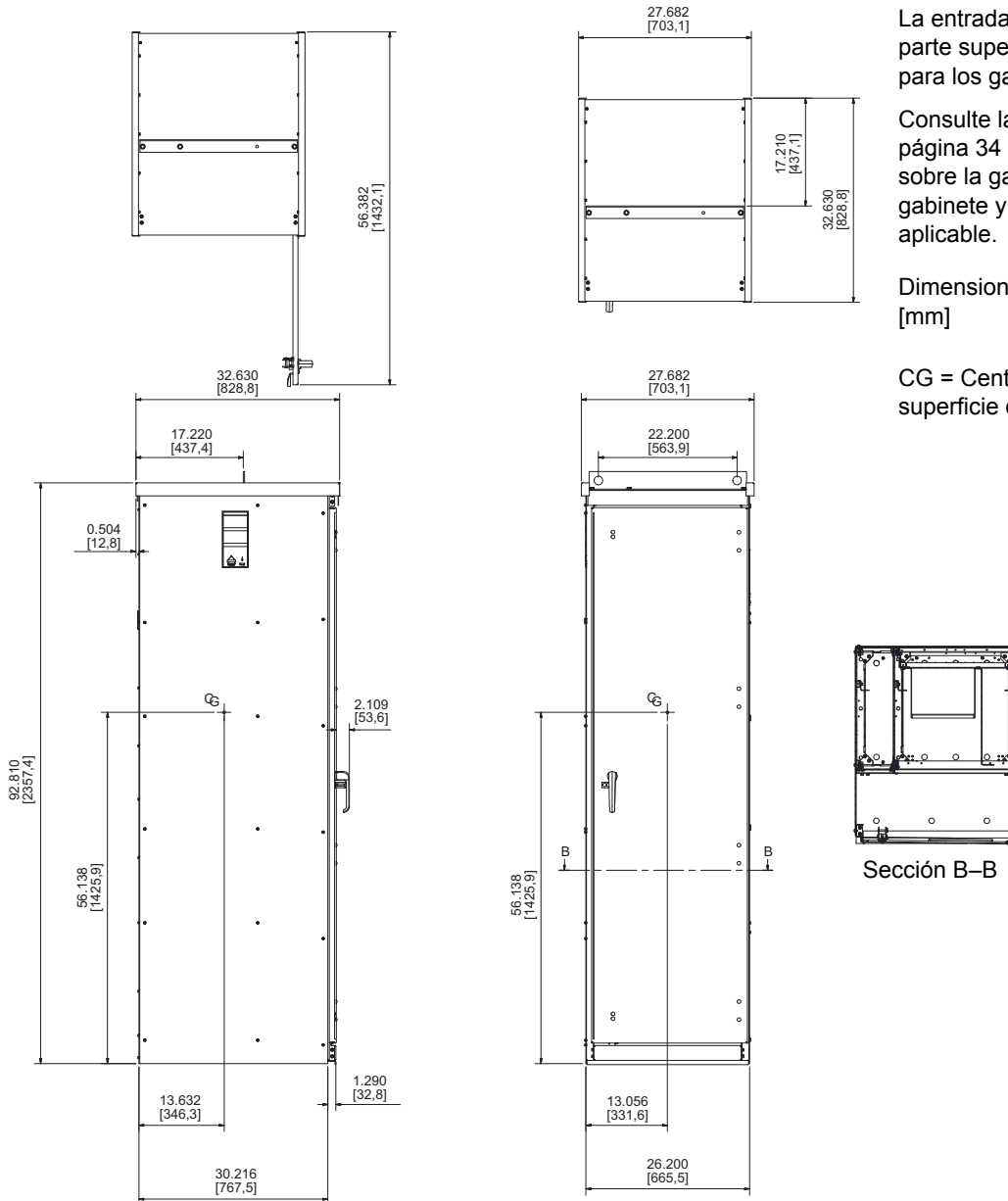




Figura 23: Gabinete tamaño E, tipo 3R

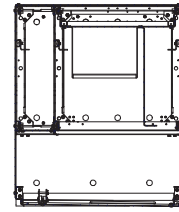


La entrada de tubo conduit por la parte superior no es recomendable para los gabinetes UL tipo 3R.

Consulte las tablas 11 y 12 en la página 34 para obtener información sobre la gama de potencia, tipo de gabinete y circuito de alimentación aplicable.

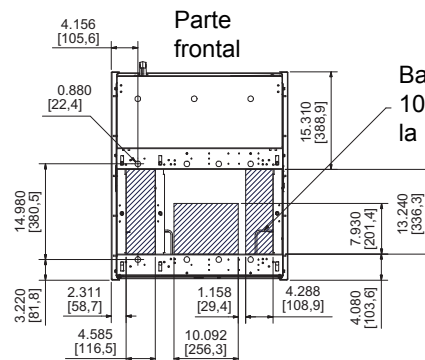
Dimensiones: pulg [mm]

CG = Centro de gravedad de la superficie de montaje



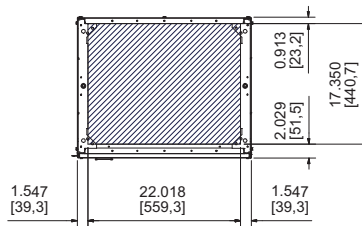
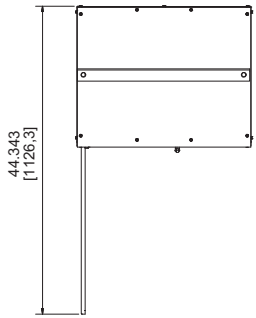
Sección B-B

La entrada de tubo conduit se muestra en el área rayada sombreada.



Barra de puesta a tierra situada 101,6 mm (4 pulg) por encima de la placa inferior

Figura 24: Gabinete tamaño F, tipo 1 y 12



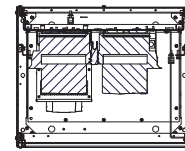
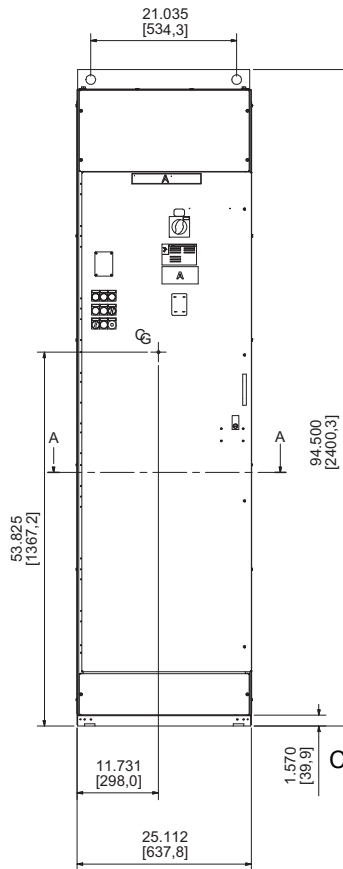
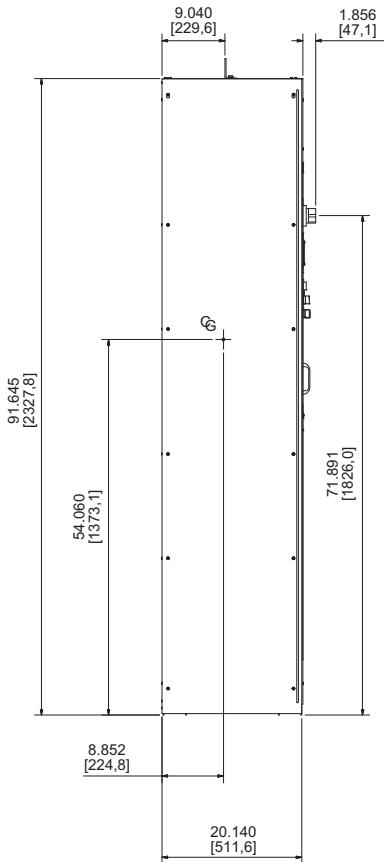
La entrada de tubo conduit se muestra en el área rayada sombreada.

Consulte las tablas 11 y 12 en la página 34 para obtener información sobre la gama de potencia, tipo de gabinete y circuito de alimentación aplicable.

Dimensiones: pulg [mm]

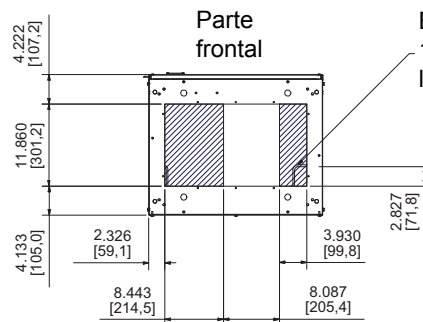
CG = Centro de gravedad de la superficie de montaje

ESPAÑOL



Sección A-A

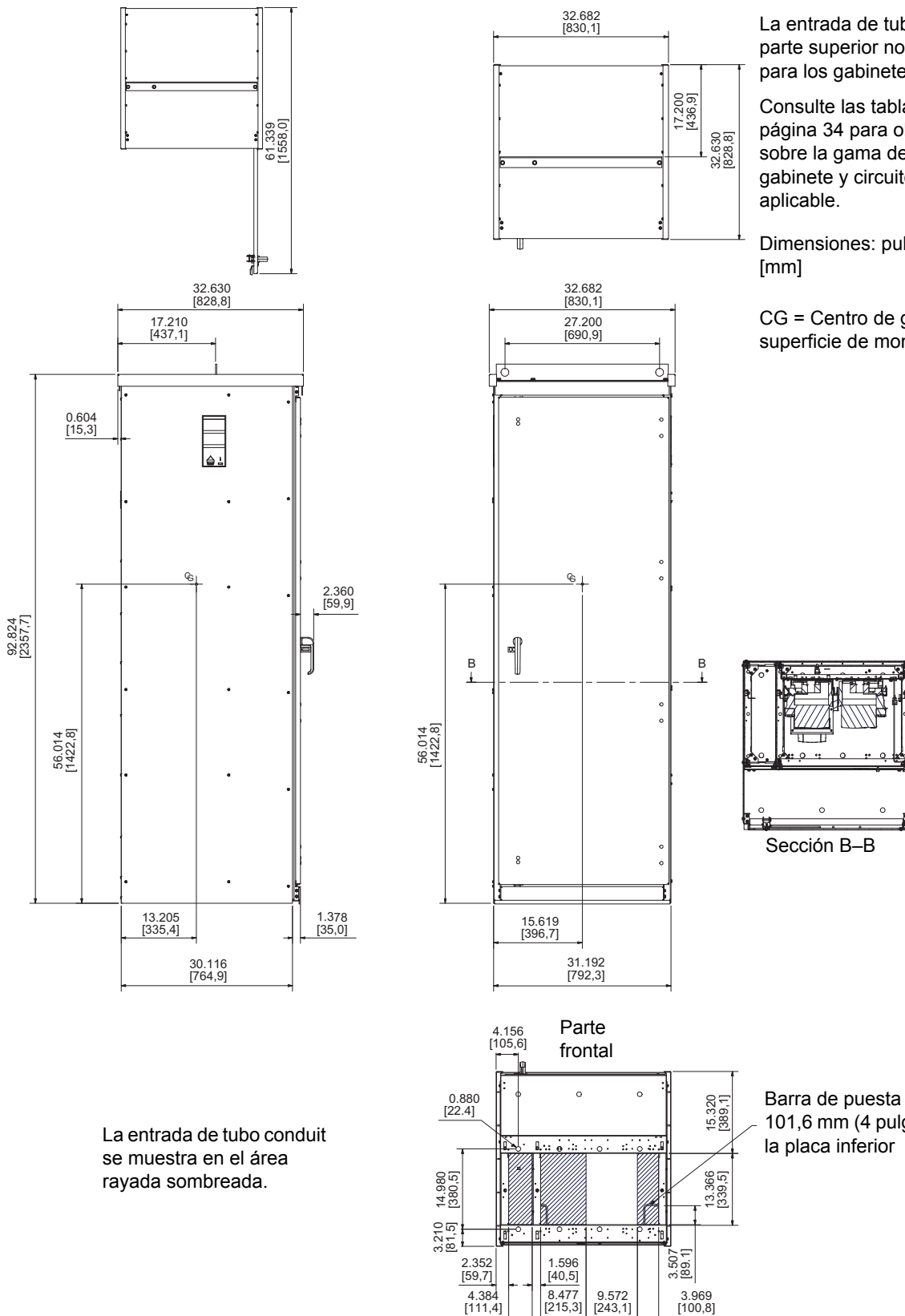
Canal en el piso



Parte frontal

Barra de puesta a tierra situada 101,6 mm (4 pulg) por encima de la placa inferior

Figura 25: Gabinete tamaño F, tipo 3R



La entrada de tubo conduit por la parte superior no es recomendable para los gabinetes UL tipo 3R.

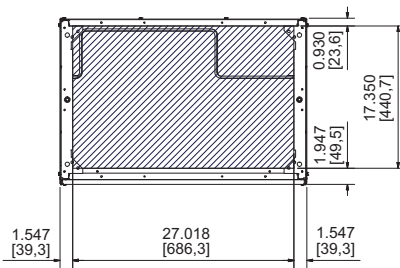
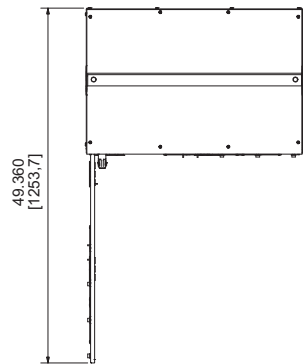
Consulte las tablas 11 y 12 en la página 34 para obtener información sobre la gama de potencia, tipo de gabinete y circuito de alimentación aplicable.

Dimensiones: pulg  
[mm]

CG = Centro de gravedad de la superficie de montaje

ESPAÑOL

Figura 26: Gabinete tamaño G, tipo 1 y 12



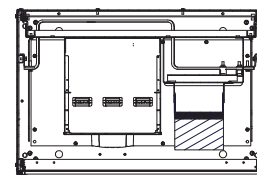
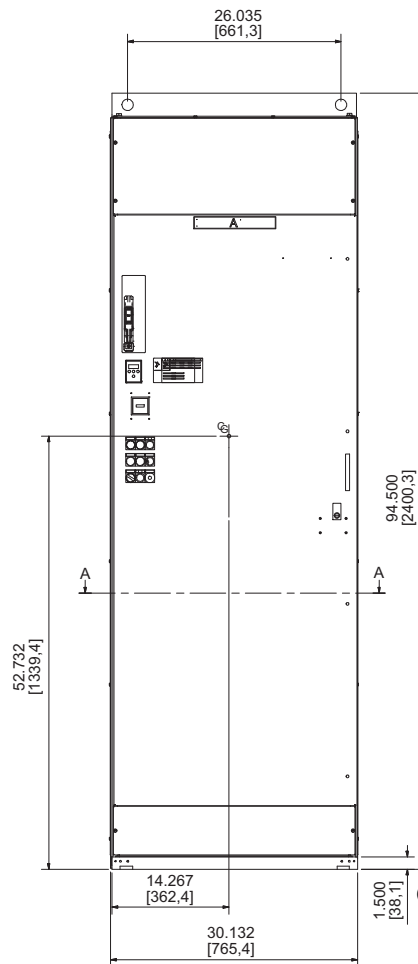
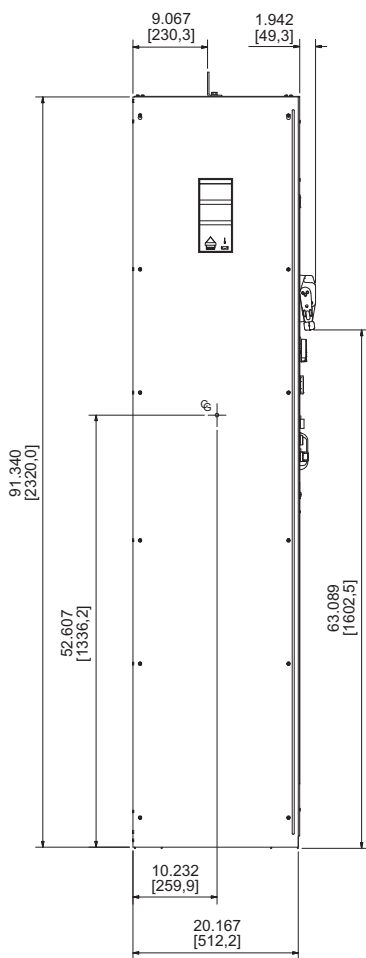
La entrada de tubo conduit se muestra en el área rayada sombreada.

Consulte las tablas 11 y 12 en la página 34 para obtener información sobre la gama de potencia, tipo de gabinete y circuito de alimentación aplicable.

Dimensiones: pulg  
 [mm]

CG = Centro de gravedad de la superficie de montaje

ESPAÑOL



Sección A-A

Canal en el piso

Barra de puesta a tierra situada 101,6 mm (4 pulg) por encima de la placa inferior

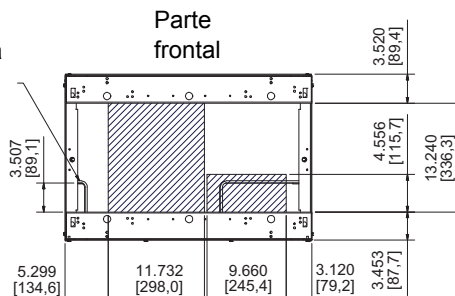
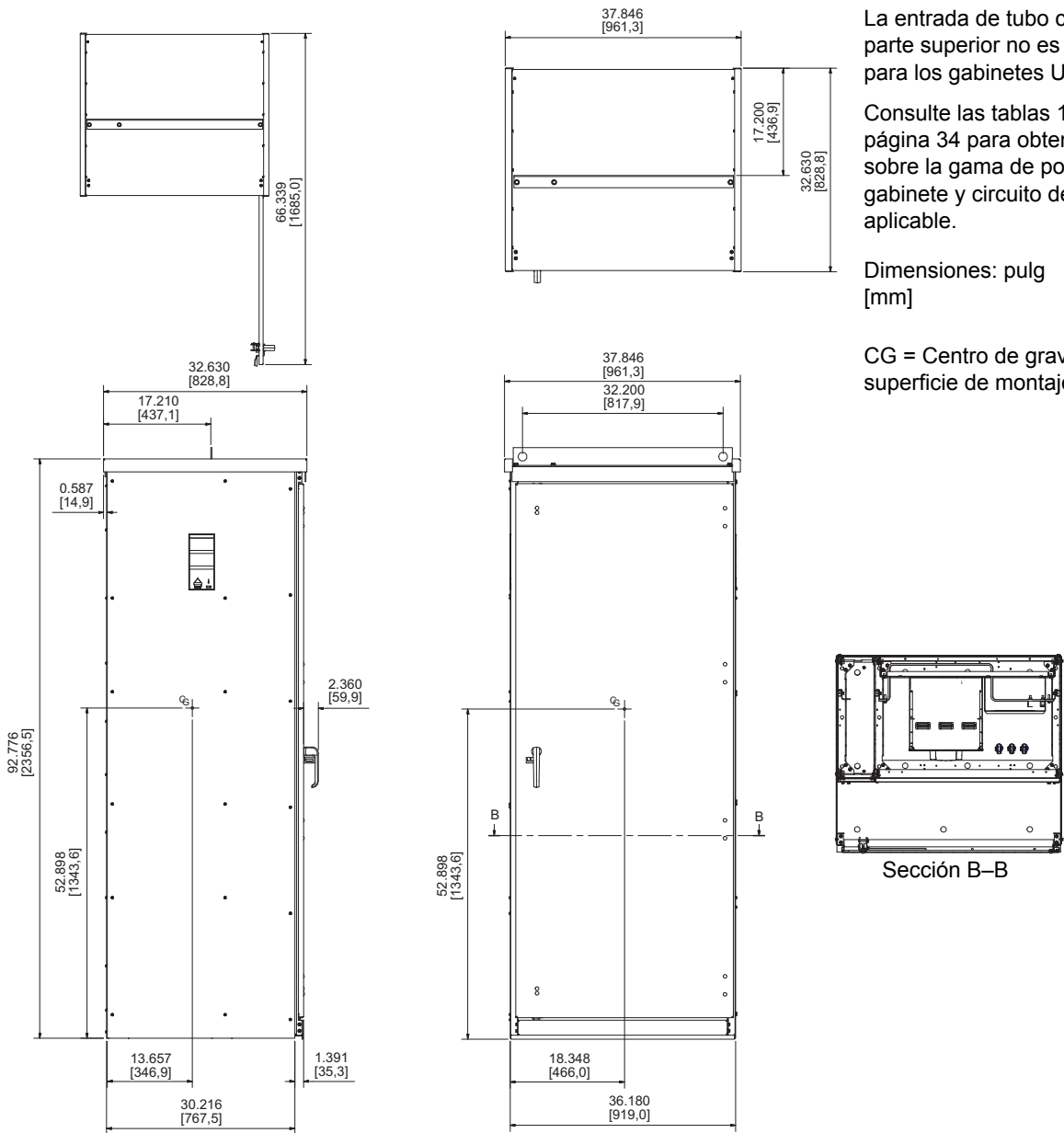


Figura 27: Gabinete tamaño G, tipo 3R



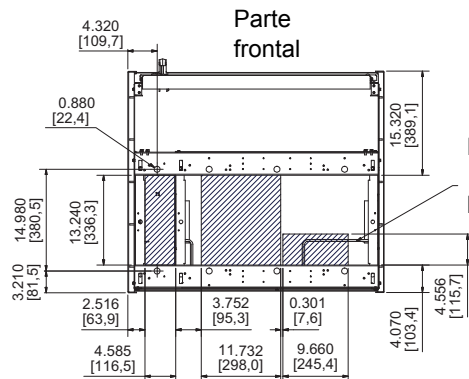
La entrada de tubo conduit por la parte superior no es recomendable para los gabinetes UL tipo 3R.

Consulte las tablas 11 y 12 en la página 34 para obtener información sobre la gama de potencia, tipo de gabinete y circuito de alimentación aplicable.

Dimensiones: pulg  
[mm]

CG = Centro de gravedad de la superficie de montaje

La entrada de tubo conduit se muestra en el área rayada sombreada.



Barra de puesta a tierra situada 101,6 mm (4 pulg) por encima de la placa inferior

## Instalación eléctrica

### Prácticas generales de alambrado

#### **⚠ PELIGRO**

##### **PELIGRO DE DESCARGA ELÉCTRICA, EXPLOSIÓN O DESTELLO POR ARQUEO**

- Desconecte toda la alimentación (principal y remota) antes de instalar el equipo.
- Asegúrese de leer y comprender las precauciones descritas en “Antes de comenzar” en la página 8 antes de realizar los procedimientos de esta sección.

**El incumplimiento de estas instrucciones podrá causar la muerte o lesiones serias.**

Una buena práctica de alambrado requiere la separación del alambrado del circuito de control de todo el alambrado de la corriente eléctrica. **No tienda el alambrado de control ni el alambrado múltiple de la corriente eléctrica en el mismo tubo conduit.** Esta separación reduce la posibilidad de acoplamiento de corrientes transitorias provenientes de los circuitos de alimentación a los circuitos de control o del alambrado de corriente eléctrica del motor a otros circuitos de alimentación.

#### **⚠ PRECAUCIÓN**

##### **PELIGRO DE ALAMBRADO INCORRECTO**

Siga las prácticas de alambrado descritas en este documento además de las requeridas por el Código nacional eléctrico de EUA, NOM-001-SEDE y códigos eléctricos locales.

**El incumplimiento de estas instrucciones puede causar lesiones personales o daño al equipo.**

Al realizar el alambrado del controlador 22 en gabinete:

- Utilice los discos desprendibles identificados en las figuras 17 a 21, o los agujeros para tubo conduit punzonados en las ubicaciones especificadas en las figuras 22 a 27 para el alambrado de control y alimentación.
- Utilice tubo conduit metálico para todo el alambrado del controlador. No tienda el alambrado de control ni el alambrado de corriente eléctrica en el mismo tubo conduit.
- Separe los tubos conduit metálicos que llevan el alambrado de corriente eléctrica o el alambrado de control de bajo nivel, por lo menos 76 mm (3 pulg).
- Separe los tubos conduit no metálicos existentes o las charolas de cables que llevan el alambrado de corriente eléctrica, del tubo conduit metálico que lleva el alambrado de control de bajo nivel, por lo menos 305 mm (12 pulg).
- Cuando se crucen el alambrado de corriente eléctrica y el de control, los tubos conduit metálicos y no metálicos, o charolas deberán cruzarse en ángulo recto.
- Utilice receptáculos para tubo conduit herméticos al agua para realizar las conexiones entre el tubo conduit y los gabinetes UL tipo 3R. Las conexiones de tubo conduit por la parte superior del gabinete no son recomendables.

## Alambrado de entrada

Elija los conductores de la alimentación de entrada según la intensidad de corriente y de acuerdo con la corriente a plena carga del motor; consulte el Código eléctrico nacional (EUA), NOM-001-SEDE (México) o el código eléctrico canadiense (Canadá) y demás códigos locales aplicables.

Conecte los conductores de alimentación de la línea principal a las terminales L1, L2 y L3 en la parte superior del interruptor automático.

## Conexión a tierra

Realice la conexión a tierra del controlador 22 en gabinete de acuerdo con el Código nacional eléctrico de EUA (NEC), NOM-001-SEDE o el Código eléctrico canadiense (CEC) y códigos locales aplicables. Para conectar el controlador a tierra:

- Conecte un conductor de cobre desde la terminal de la barra de puesta a tierra a la tierra del sistema de alimentación.
- Asegúrese de que la resistencia a tierra sea de 1  $\Omega$  o menor. La conexión a tierra incorrecta produce un funcionamiento intermitente e incierto.

### **⚠ PELIGRO**

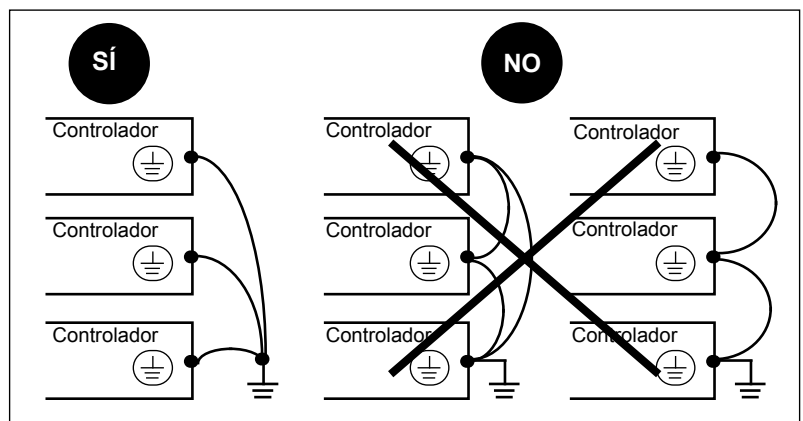
#### **PELIGRO DE DESCARGA ELÉCTRICA, EXPLOSIÓN O DESTELLO POR ARQUEO**

- Realice la conexión a tierra del equipo utilizando el punto de conexión a tierra provisto, tal como se muestra en la figuras 33 a 37 (páginas 60 a 64). El tablero del controlador deberá estar correctamente conectado a tierra antes de aplicar corriente eléctrica.
- No utilice tubo conduit metálico como conductor a tierra.

**El incumplimiento de estas instrucciones podrá causar la muerte o lesiones serias.**

La conexión a tierra de varios controladores deberá realizarse como se muestra en la figura 28. Utilice un conductor de tierra por dispositivo. No instale los conductores de tierra en bucle o en serie.

Figura 28: Conexión a tierra de varios controladores



## Alambrado de salida

Elija los conductores de la alimentación del motor según la intensidad de corriente y de acuerdo con la corriente a plena carga del motor; consulte el Código eléctrico nacional (NEC) de EUA, CEC de Canadá o NOM-001-SEDE y demás códigos locales aplicables.

## Enrutamiento de cables e interconexiones

- Según el circuito de control seleccionado, conecte los conductores del motor a las terminales T1, T2 y T3 en la parte inferior del arrancador suave, relevador de sobrecarga o bloque de distribución.
- Conecte la tierra del motor a la barra de puesta a tierra provista. Vea la figuras 33 a 37 (páginas 60 a 64).
- No use el controlador 22 en gabinete en aplicaciones que requieran cables de salida muy largos. La longitud máxima del cable de salida para los motores de uso normal es de 400 m (1 300 pies). Para las aplicaciones que excedan esta longitud de cable, póngase en contacto con su representante local de ventas de Schneider Electric.

### Clase de cable

La clase de cable describe la compatibilidad de la terminal del alambrado de campo con el material del conductor y el sistema de aislamiento. Cuando se usa junto con la corriente nominal necesaria para el conductor y la temperatura ambiente adecuada para el controlador, la clase de cable forma la base para la selección del tamaño del cable que limita a una temperatura aceptable el aislamiento del conductor en la terminal de alambrado de campo. Los conductores con temperaturas de funcionamiento en exceso a aquéllas especificadas por la clase de cable pueden ser utilizados, sin embargo, el tamaño del cable debe ser seleccionada en base a los límites de la clase de cable.

### Clase EMI

La clase de interferencia electromagnética (EMI) categoriza las propiedades electromagnéticas de las tensiones y corrientes presentes. Las seis categorías de clase EMI determinan los métodos de alambrado y separación física apropiados. Consulte las figuras 29 a 32 en las páginas 55 a 58 y la tabla 15 en la página 59.

Alambrado silencioso 1 (QW1)

*Señales de control analógicas y digitales de alta susceptibilidad.* Las señales en la clasificación QW1 incluyen la comunicación digital/circuitos de red, las entradas/salidas analógicas del controlador y las señales analógicas del proceso.

Alambrado silencioso 2 (QW2)

*Señales de control analógicas y digitales de susceptibilidad media.* Las señales en la clasificación QW2 incluyen los circuitos de control de 24 V<sub>DC</sub> y 24 V<sub>AC</sub>.

Alambrado estándar 1 (SW1)

*Circuitos de control o alimentación de susceptibilidad baja de menos de 600 V<sub>AC</sub> [250 V<sub>DC</sub>] y menos de 15 A* (la amplia gama de tensión y corriente, por lo general, está contenida dentro de los 0,05 a 9 kHz). Las señales en la clasificación SW1 incluyen los circuitos de control de 120 V<sub>AC</sub>.

Alambrado estándar 2 (SW2)

*Circuitos de alimentación mayores que 15 A* (la amplia gama de tensión y corriente, por lo general, está contenida dentro de los 0,05 a 9 kHz). Las señales dentro de la clasificación SW2 incluyen la alimentación de línea a los controladores.

Alambrado estándar 3 (SW3)

Reservado.

Alambrado de impulsos 1 (PW1)

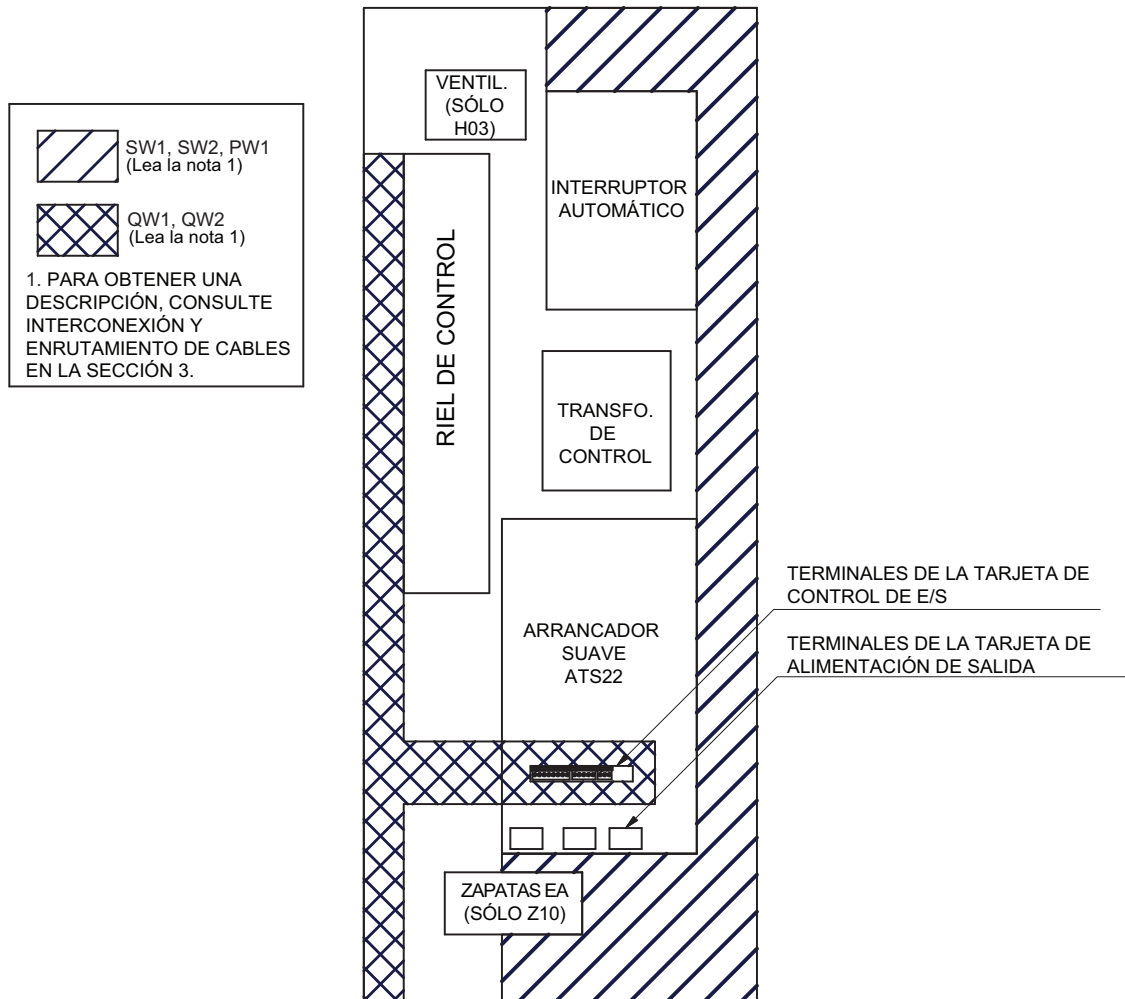
*Los circuitos de control o alimentación cuya gama de tensión o corriente exceden significativamente los 9 kHz.* Las señales en la clasificación PW1 incluyen los circuitos de frenado dinámico y del motor que son alimentados desde convertidores de alimentación de modulación de la anchura del impulso.



### Clase de tensión

La clase de tensión agrupa las tensiones en categorías reconocidas (de 30, 150, 300 y 600 V) para la selección de la tensión nominal del aislamiento del conductor y para fines de separación física.

Figura 29: Enrutamiento de los cables del circuito de alimentación B05: Grupos de clase EMI



ESPAÑOL

Figura 30: Enrutamiento de los cables del circuito de alimentación B05: Grupos de clase EMI

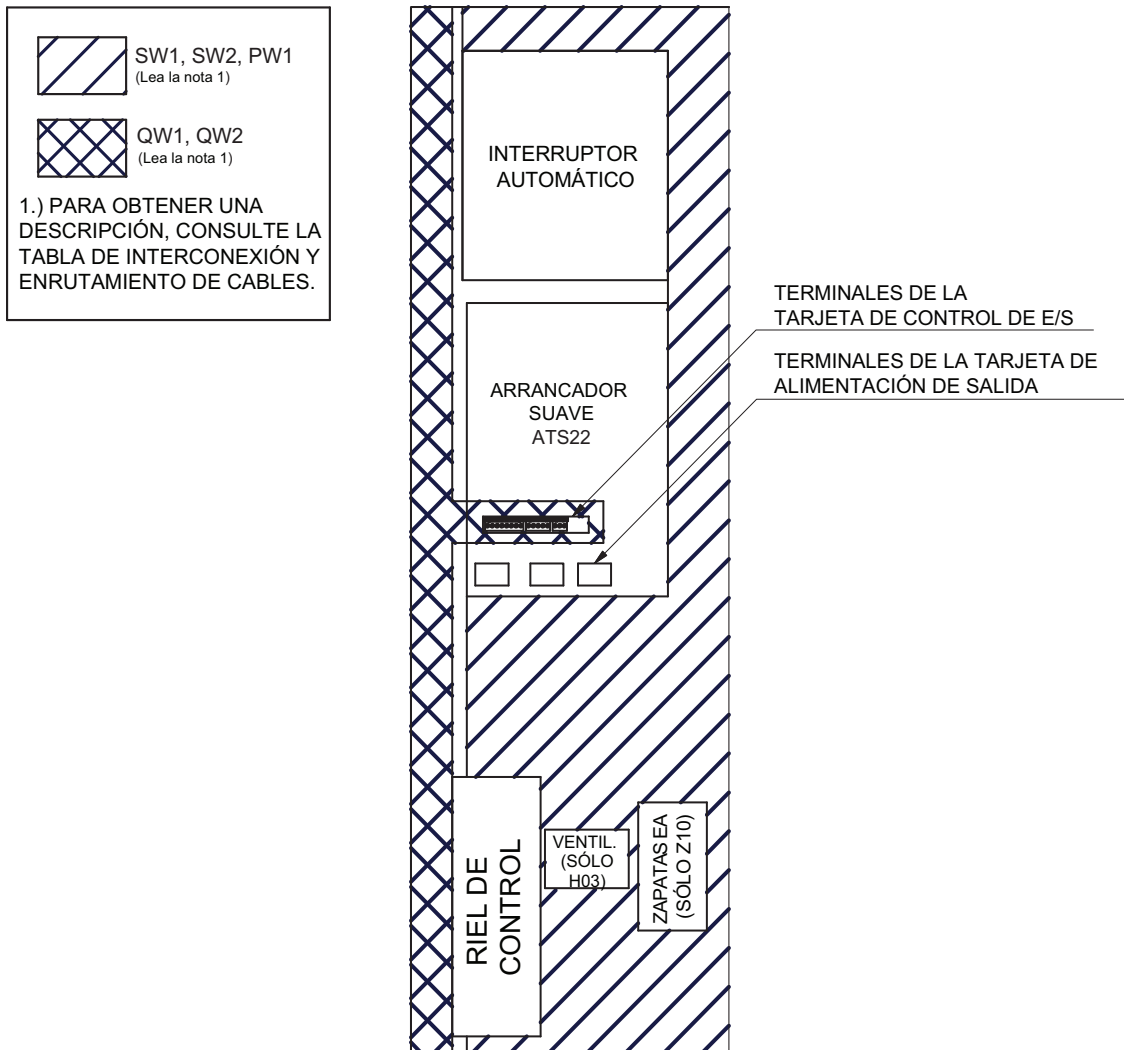
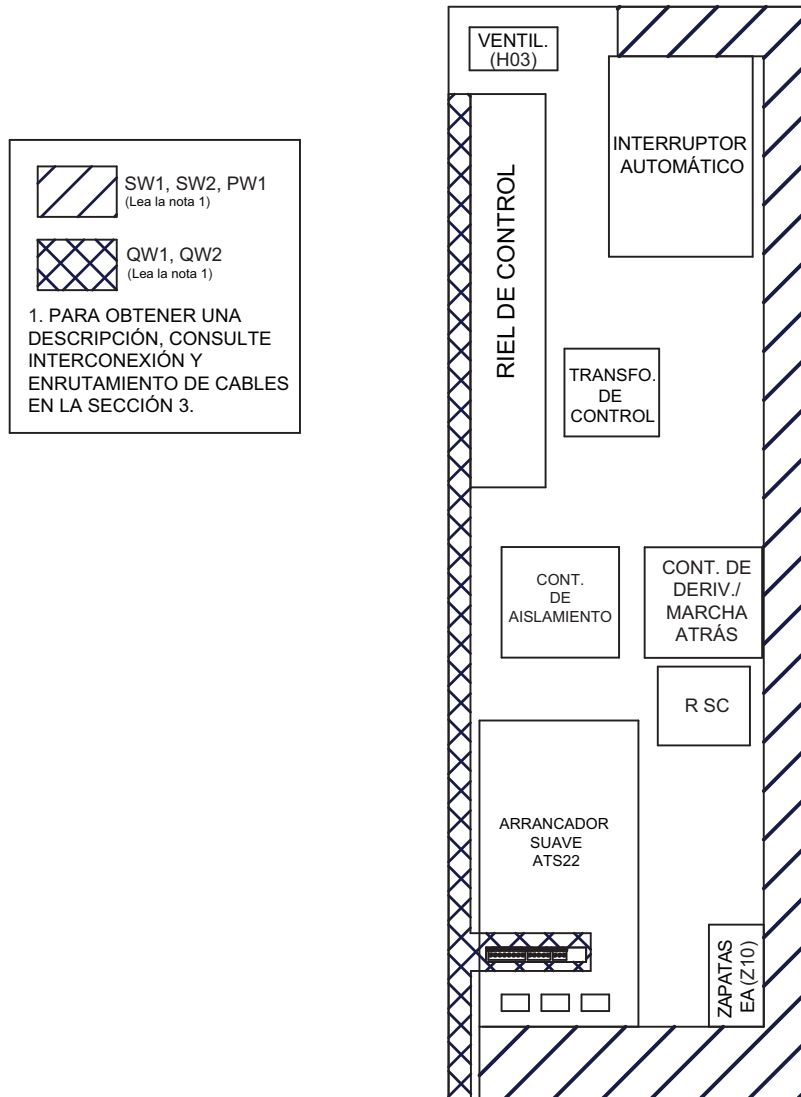
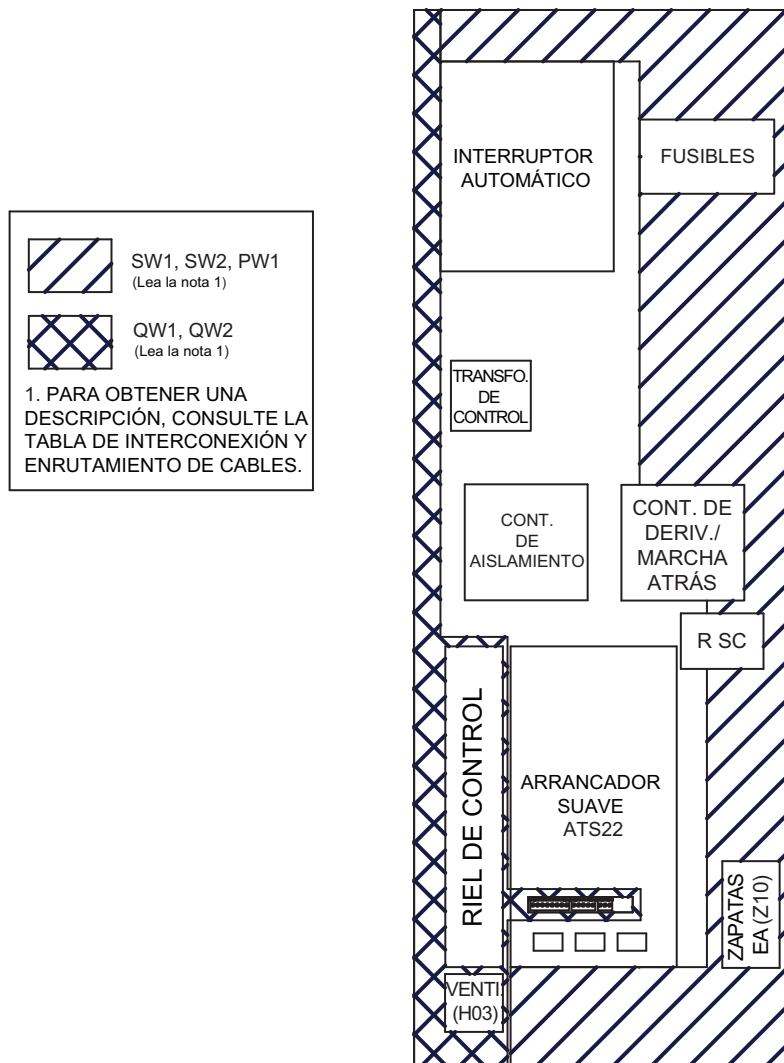


Figura 31: Enrutamiento de cables de los circuitos de alimentación S05, N05, R05 y Y05: Grupos de clase EMI



ESPAÑOL

Figura 32: Enrutamiento de cables de los circuitos de alimentación S05, N05, R05 y Y05: Grupos de clase EMI



### Métodos de alambrado

## ⚠ PELIGRO

### PELIGRO DE DESCARGA ELÉCTRICA, EXPLOSIÓN O DESTELLO POR ARQUEO

- Dirija y sujete todos los conductores para evitar daño al aislamiento al instalarlos por debajo o cerca de bordes filosos.
- Si es posible, utilice conductores con revestimiento.

**El incumplimiento de estas instrucciones podrá causar la muerte o lesiones serias.**

En base a la clase EMI y la clase de tensión de los conductores, emplee los métodos de alambrado descritos en la tabla 15 en la página 59.

Tabla 15: Enrutamiento de cables e interconexiones

Métodos y puntos importantes de alambrado	Clase EMI de los conductores <sup>1</sup>				
	QW1	QW2	SW1	SW2	PW1
<b>Agrupamiento de conductores en los conductos para cables y tubo conduit</b>					
1. Amarre todos los conductores de los circuitos de alimentación de ~, de 1 ó 3 fases, para minimizar los campos de dispersión magnéticos.			X	X	X
2. Amarre todos los conductores de un circuito de alimentación de (c.d.) para minimizar los campos de dispersión magnéticos.			X	X	X
3. Cuando los conductores en paralelo deben ser tendidos en conductos para cables o tubo conduit separados, amarre los conductores en grupos para minimizar los campos de dispersión magnéticos.				X	X
4. Mantenga los tendidos de los conductores lo más corto posible.	X	X	X	X	X
<b>Separación de los circuitos</b>					
1. No tienda conductores para clase EMI diferente en el mismo tubo conduit.	X	X	X	X	X
2. No tienda conductores para clase de tensión diferente en el mismo tubo conduit a no ser que todos los conductores estén aislados para la clase de tensión máxima presente.	X	X	X	X	X
3. Separe todos los conductores según la clase EMI. Emplee la siguiente separación de circuitos cuando los conductores estén tendidos en paralelo más de 305 mm (12 pulgadas).					
• Tubo conduit metálico : 76 mm (3 pulg) de QW a SW o PW	X	X	X	X	X
• Charola metálica: 76 mm (3 pulg) de SW a PW			X	X	X
• Charola metálica: 152 mm (6 pulg) de QW a SW o PW	X	X	X	X	X
• Contra una superficie metálica continua: 76 mm (3 pulg) de SW a PW			X	X	X
• Contra una superficie metálica continua: 152 mm (6 pulg) de QW a SW o PW	X	X	X	X	X
• Caja de tubo conduit metálica de QW: 305 mm (12 pulgadas) a tubo conduit no metálico SW o PW	X	X	X	X	X
• Tubo conduit no metálico : 76 mm (3 pulg) de SW a PW			X	X	X
• Tubo conduit no metálico : 584 mm (23 pulg) de QW a SW o PW	X	X	X	X	X
4. Todos los grupos de conductores PW deben separarse individualmente empleando tubo conduit metálico.					X
5. Si los cables de QW y SW1 deben cruzar los cables de SW2 o PW1, crúcelos en ángulo recto.	X	X	X	X	X
<b>Problemas de ruido en el modo común</b>					
1. Suministre señales adyacentes de retorno empleando cable de pares trenzados.	X	X			
2. Aisle galvánicamente la señal y trayecto de retorno de la señal relacionada, si es posible.	X	X			
<b>Blindaje</b>					
1. Emplee tubo conduit metálico para todos los circuitos de alimentación y control externos al gabinete del controlador.	X	X	X	X	X
2. Use blindaje continuo y que esté equipado con un hilo de drenaje.	X	X	X		
3. No tienda grupos de conductores para clase EMI diferente dentro del mismo blindaje.	X	X	X	X	X
4. Minimice la parte sin blindaje del conductor en los extremos de cable blindado.	X	X	X	X	X
5. Al blindar los conductores de la alimentación de ~ o ---, agrupe los conductores para minimizar el campo magnético en el blindaje.			X	X	X
<b>Conexión a tierra</b>					
1. Blindaje de tierra sólo en el extremo del controlador.	X	X	X	X	X
2. Utilice un conductor de puesta a tierra independiente para cada tierra del blindaje.	X	X	X	X	X
3. Suministre un conductor de puesta a tierra con todos los grupos de conductores ya sea en una charola o en tubo conduit.			X	X	X
4. Cuando es necesario realizar tierras múltiples a un cable de alimentación blindado, el blindaje debe tener la misma capacidad de aguante de cortocircuito que el conductor de puesta a tierra en el cable de alimentación.			X	X	X
5. Termine todas las tierras de la alimentación y las tierras del blindaje de alimentación en el punto o barra de conexión a tierra del controlador.			X	X	X
6. Termine todas las tierras de blindaje de señales a las terminales provistas.	X	X			
7. Siempre suministre un conductor independiente de conexión a tierra del equipo con la alimentación eléctrica del controlador. No dependa del tubo conduit metálico para la conexión de puesta a tierra.			X	X	X

<sup>1</sup> "X" indica es aplicable para la clase EMI especificada.

ESPAÑOL

## Ubicación de los componentes

Consulte las figuras 33 a 37 para identificar los componentes del controlador 22 en gabinete y la ubicación de los bloques de terminales para la configuración del circuito de alimentación especificado.

Consulte las tablas 19 a 22 en las páginas 68–70 para conocer los requisitos de tamaño de conductor y par de apriete de las terminales.

**Figura 33: Circuito de alimentación B05**

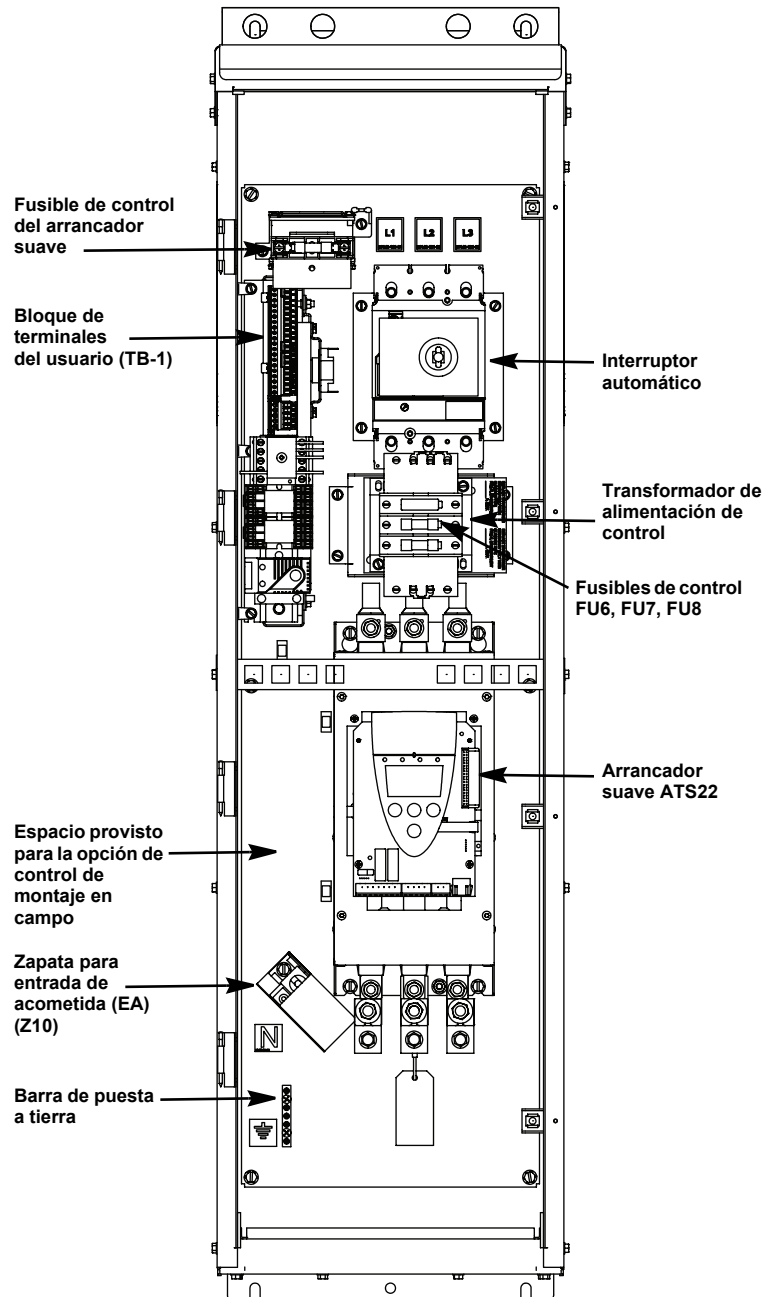
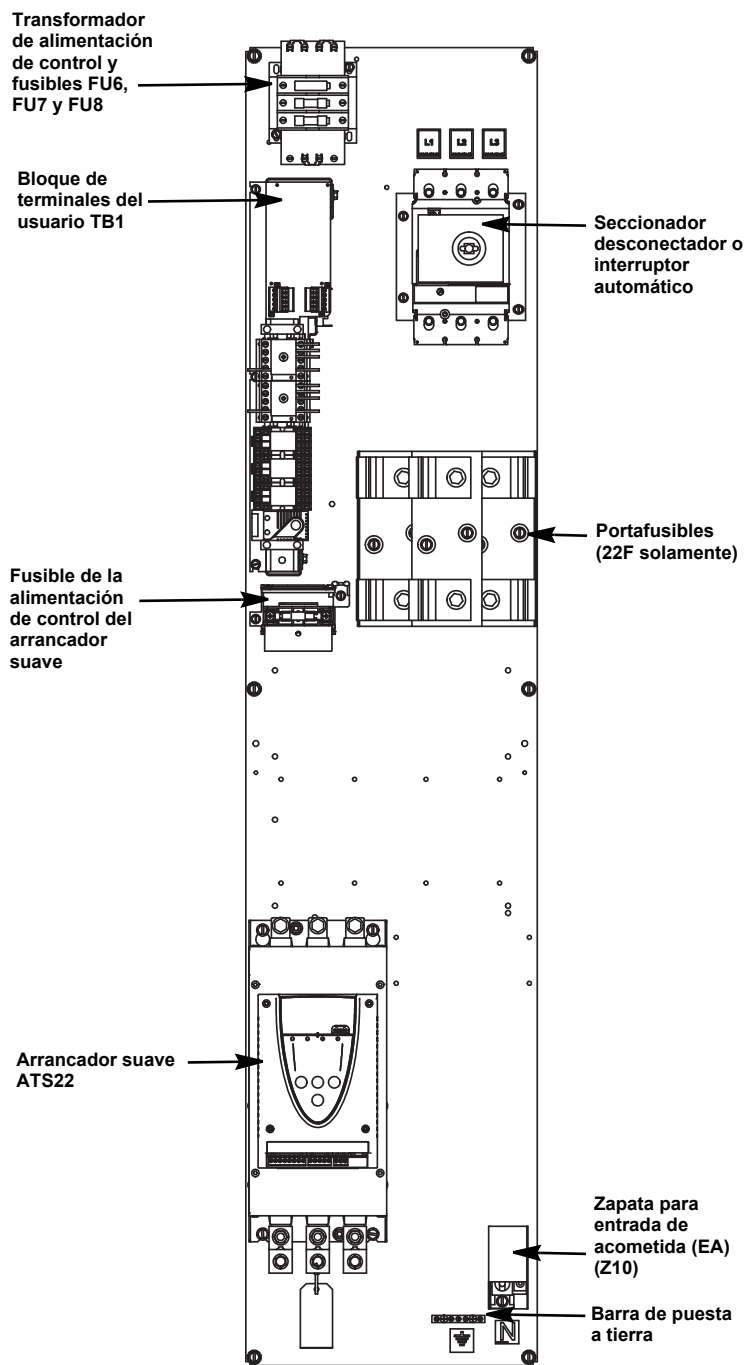


Figura 34: Circuito de alimentación S05



ESPAÑOL

Figura 35: Circuito de alimentación N05

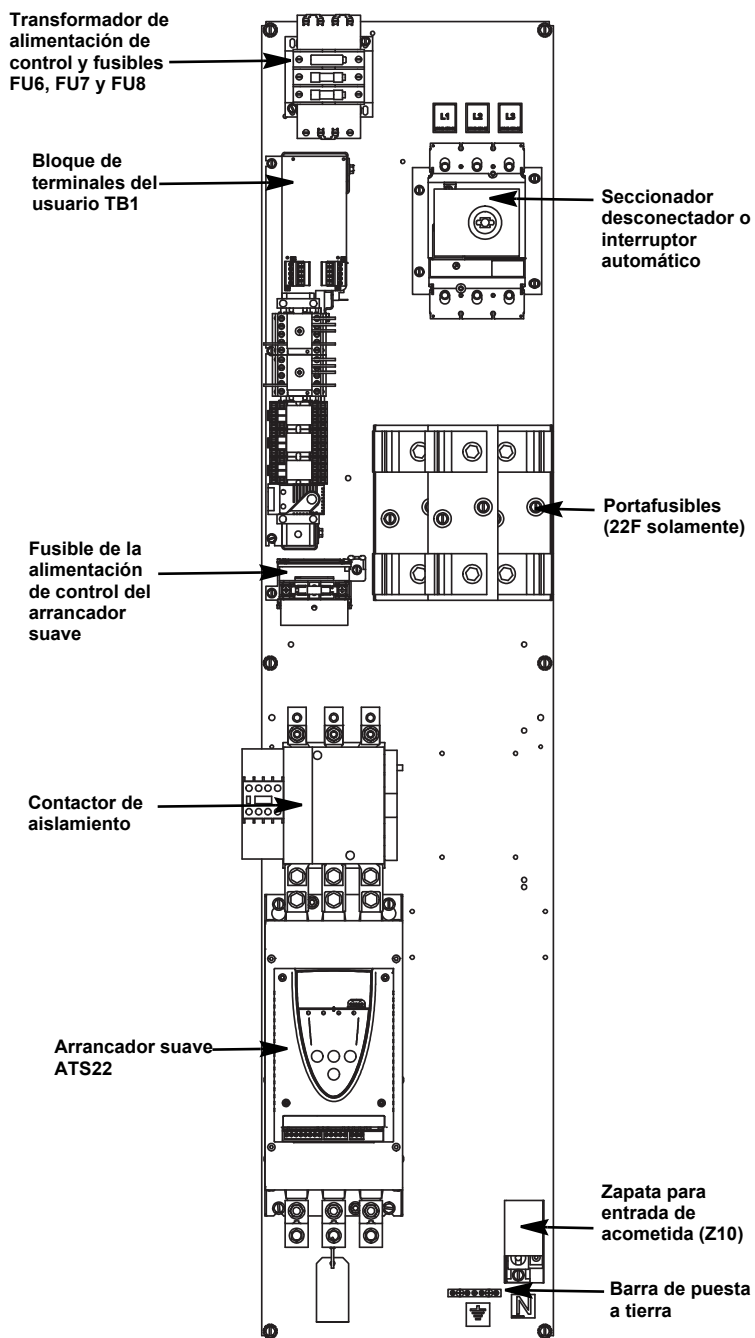




Figura 36: Circuito de alimentación R05

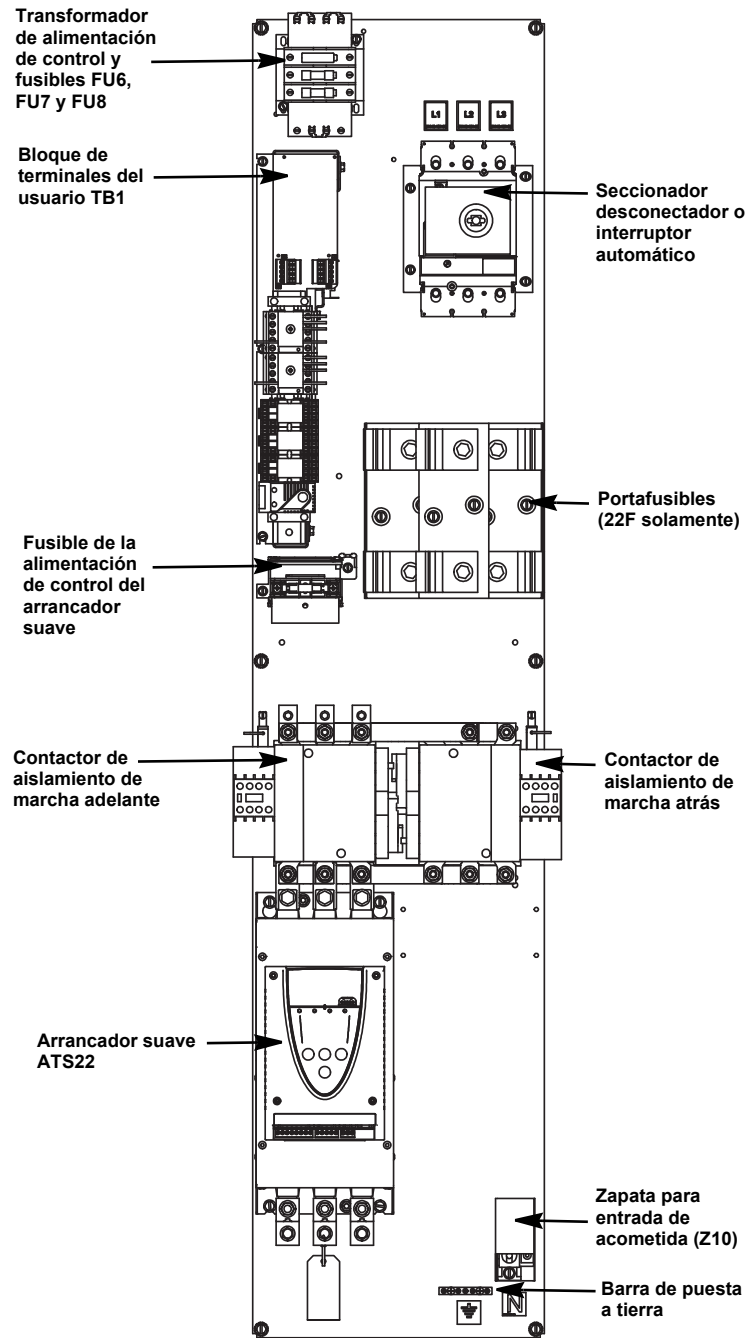
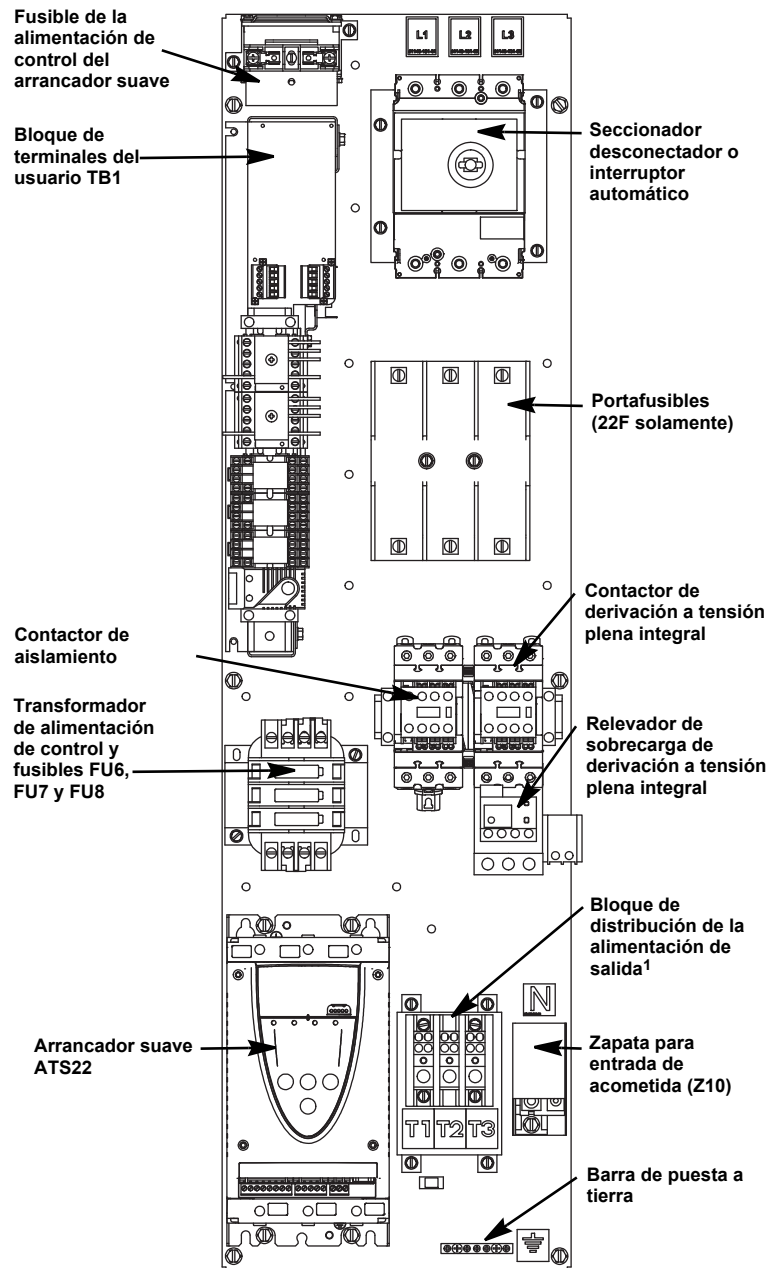


Figura 37: Circuito de alimentación Y05



1 Bloque de distribución de alimentación provisto para los gabinetes tipos 1 y 12K en las siguientes potencias/tensiones: 3 a 20 hp en 208 V; 5 a 25 hp en 230 V; 10 a 50 hp en 460 V; 15 a 60 hp en 575 V. Bloque de distribución de alimentación provisto para los gabinetes tipo 3R en las siguientes potencias/tensiones: 3 a 20 hp en 208 V; 5 a 20 hp en 230 V; 10 a 40 hp en 460 V; 15 a 60 hp en 575 V.

## Alambrado de alimentación

### **⚠ PELIGRO**

#### **PELIGRO DE DESCARGA ELÉCTRICA, EXPLOSIÓN O DESTELLO POR ARQUEO**

- Utilice equipo de protección personal (EPP) apropiado y siga las prácticas de seguridad en trabajos eléctricos establecidas por su Compañía, consulte la norma 70E de NFPA y NOM-029-STPS.
- Algunas terminales están bajo tensión aún cuando el desconector ha sido abierto.
- Desenergice el equipo antes de realizar cualquier trabajo dentro o fuera de él.
- Siempre utilice un dispositivo detector de tensión nominal adecuado para confirmar la desenergización del equipo.
- Vuelva a colocar las cubiertas antes de energizar el equipo.
- Asegúrese de leer y comprender las precauciones descritas en “Antes de comenzar” en la página 8 antes de realizar los procedimientos de esta sección.

**El incumplimiento de estas instrucciones podrá causar la muerte o lesiones serias.**

### **⚠ PRECAUCIÓN**

#### **ALAMBRADO INCORRECTO**

- No conecte los conductores de la alimentación de entrada a las terminales de salida del controlador (T1, T2, T3 o U, V, W). Esto puede dañar el controlador y anular su garantía.
- Revise las conexiones de la alimentación antes de energizar el controlador.

**El incumplimiento de estas instrucciones puede causar lesiones personales o daño al equipo.**

### **⚠ PRECAUCIÓN**

#### **DAÑO POR CALENTAMIENTO E INCENDIO**

Observe los requisitos de par de apriete especificados en la placa de datos del controlador 22 en gabinete.

**El incumplimiento de estas instrucciones puede causar lesiones personales o daño al equipo.**

**Tabla 16: Características de las terminales de potencia**

Terminal	Función	Tensión (+10%/-15%)
GND (tierra)	Tierra (a la barra de puesta a tierra en el tablero)	—
L1, L2 y L3	Fuente de alimentación trifásica (parte superior del interruptor)	208
		230
		460
		575
T1, T2 y T3	Conexiones de salida al motor (parte inferior de los arrancadores suaves, relevadores de sobrecarga y bloques de distribución de alimentación)	208
		230
		460
		575

**Tabla 17: Espacio disponible para el doblé de los cables, circuito de alimentación B05**

Valor nominal del controlador			Espacio para el doblé de los cables mm (pulg)	Tamaño máx. del conductor para las terminaciones en campo <sup>1</sup>	Referencia de tamaños de gabinete
40 °C (104 °F) hp	Tipo 3R (UL) o 50 °C (122 °F) hp	V			
3–25	3–20	208	63,5 (2,5)	66,4 mm <sup>2</sup> (AWG 2)	A
5–30	5–25	230			
10–60	10–50	460			
15–75	15–60	575			
30–50	25–40	208	203,2 (8)	127 mm <sup>2</sup> (250 kcmil)	B
40–60	30–50	230			
75–125	60–100	460			
60–125	50–100	208	279,4 (11)	(2) 177 mm <sup>2</sup> (350 kcmil)	D
75–150	60–125	230			
150–300	125–250	460			
200–300	150–300	575			
150	125	208	431,8 (17)	(2) 253 mm <sup>2</sup> (500 kcmil)	E
200	150	230			
350–400	300–350	460			
400–500	350–400	575			

<sup>1</sup> Tamaño máximo del conductor según la tabla 312.6 (B) del NEC 2009, en base al doblé del conductor provisto.

**Tabla 18: Espacio disponible para el doblar de los cables, circuitos de alimentación S05, N05, R05 e Y05**

Valor nominal del controlador			Espacio para el doblar de los cables mm (pulg)	Tamaño máx. del conductor para las terminaciones en campo <sup>1</sup>	Referencia de tamaños de gabinete
40 °C (104 °F) hp	Tipo 3R (UL) o 50 °C (122 °F) hp	V			
3-10	3-10	208	76,2 (3,0)	26,7 mm <sup>2</sup> (AWG 3)	B
5-15	5-10	230			
10-30	10-25	460			
15-40	15-30	575			
15-25	10-20	208	203,2 (8,0)	53,5 mm <sup>2</sup> (AWG 1/0)	C
20-30	15-25	230			
40-60	30-50	460			
50-75	40-60	575			
30-50	25-40	208	177,8 (7,0)	107 mm <sup>2</sup> (AWG 4/0)	D
40-60	30-50	230			
75-125	60-100	460			
100-150	75-125	575			
60-125	50-100	208	304,8 (12)	(2) 177 mm <sup>2</sup> (350 kcmil)	F
75-150	60-125	230			
150-300	125-250	460			
200-300	150-300	575			
150	125	208	330,2 (13)	(2) 253 mm <sup>2</sup> (500 kcmil)	G
200	150	230			
350-400	300-350	460			
400-500	350-400	575			

<sup>1</sup> Tamaño máximo del conductor según la tabla 312.6(B) del NEC 2009, en base al doblar del conductor provisto.

ESPAÑOL

**Tabla 19: Gama de tamaños de los conductores de las terminales de alimentación de línea y requisitos de par de apriete<sup>1</sup>**

L1, L2, L3 (Línea)			Controlador estilo 22T o 22F			Controlador estilo 22U		
hp	V	Tamaños de los conductores AWG (mm <sup>2</sup> )	Par de apriete lbs-pulg (N•m)	Sec. sin aislamiento pulg. (mm)	Tamaños de los conductores AWG (mm <sup>2</sup> )	Par de apriete lbs-pulg (N•m)	Sec. sin aislamiento pulg. (mm)	
3–25	208	14–10 (2,1–5,3)	50 (5,6)	0,65 (16)	14–10 (2,1–5,3)	50 (5,6)	0,65 (16)	
5–30	230							
10–60	460							
15–75	575							
30–40	208	14–10 (2,1–5,3)	50 (5,6)	0,65 (16)	4–4/0 (21–107)	225 (25,4)	1 (25)	
40	230							
75	460							
100	575							
50	230	4–4/0 (21–107)	225 (25,4)	1 (25)	4–4/0 (21–107)	225 (25,4)	1 (25)	
100	460							
125	575							
50	208							
60	230	3/0–350 (85–177)	225 (25,4)	1 (25)	3/0–350 (85–177)	225 (25,4)	1 (25)	
125	460							
150	575							
60	208							
75	230	3/0–350 (85–177)	225 (25,4)	1 (25)	2–500 (33,6–253)	275 <sup>2</sup> (31)	1,2 (31)	
150	460							
200	575							
75	208							
100	230	2–500 (33,6–253)	275 <sup>2</sup> (31)	1,2 (31)	2–500 (33,6–253)	275 <sup>2</sup> (31)	1,2 (31)	
200	460							
250	575							
100	208							
125	230	2–500 (33,6–253)	275 <sup>2</sup> (31)	1,2 (31)	(2) <sup>2</sup> 2/0–350 (67,4–177)	275 <sup>2</sup> (31)	(1) 1,2 (31)	
250	460							
40 °C (104 °F)	50 °C (122 °F)				(2) <sup>3</sup> 2/0–500 (67,4–253)	442 <sup>3</sup> (50)	(2) 2,4 (61)	
300	—	575	2–500 (33,6–253)	275 <sup>2</sup> (31)	1,2 (31)	(2) <sup>2</sup> 2/0–350 (67,4–177)	275 <sup>2</sup> (31)	(1) 1,2 (31)
				442 <sup>3</sup> (50)		(2) <sup>3</sup> 2/0–500 (67,4–253)	442 <sup>3</sup> (50)	(2) 2,4 (61)
125	—	208	(2) <sup>2</sup> 2/0–350 (67,4–177)	275 <sup>2</sup> (31)	(1)	(2) <sup>2</sup> 2/0–350 (67,4–177)	275 <sup>2</sup> (31)	(1)
150	—	230	(2) <sup>3</sup> 2/0–500 (67,4–253)	442 <sup>3</sup> (50)	1,2 (31) (2)	(2) <sup>3</sup> 2/0–500 (67,4–253)	442 <sup>3</sup> (50)	1,2 (31) (2)
300	—	460			2,4 (61)			2,4 (61)
150	125	208	(3) 3/0–500 (85–253)	442 (50)	1 (25)	(3) 3/0–500 (85–253)	442 (50)	1 (25)
200	150	230						
350–400	300–350	460						
400–500	340–400	575						

<sup>1</sup> Consulte la información en la placa de datos del producto para confirmar los requisitos de par de apriete. La información provista en esta tabla es para su uso como referencia solamente.

<sup>2</sup> Gama de tamaños de los conductores de las terminales de alimentación y requisitos de par de apriete para interruptores automáticos PowerPact marco D.

<sup>3</sup> Gama de tamaños de los conductores de las terminales de alimentación y requisitos de par de apriete para interruptores automáticos PowerPact marco L.

**Tabla 20: Gama de tamaños de los conductores de las terminales de alimentación de carga y requisitos de par de apriete<sup>1</sup>**

T1, T2, T3 (Carga)			Circuito de alimentación B05, S05, N05, R05			Circuito de alimentación Y05		
40 °C (104 °F)	Tipo 3R (UL) o 50 °C (122 °F)	V	Tamaños de los conductores	Par de apriete	Sec. sin aislamiento	Tamaños de los conductores	Par de apriete	Sec. sin aislamiento
hp	hp		AWG (mm <sup>2</sup> )	lbs-pulg (N•m)	pulg (mm)	AWG (mm <sup>2</sup> )	lbs-pulg (N•m)	pulg (mm)
3–10	3–10	208	12–4 (2,5–16)	26 (3)	0,3 (7)	14–10 (2,1–5,3)	35 (3,9)	0,65 (16)
5–15	5–10	230				8 (8,4)	40 (4,5)	
10–30	10–25	460				6–2/0 (13–67)	120 (13,5)	
15–40	15–30	575						
15–20	15–20	208	10–1/0 (4–50)	88 (10)	0,6 (15)	8 (8,4)	40 (4,5)	0,65 (16)
20–25	15–20	230				6–2/0 (13–67)	120 (13,5)	
40–50	30–40	460						
50–60	40–60	575						
25	—	208	10–1/0 (4–50)	88 (10)	0,6 (15)	6–300 (13–151)	275 (31)	1 (25)
30	25	230						
60	50	460						
75	—	575						
30–50	25–40	208	6–300 (13–151)	275 (31)	1 (25)	6–300 (13–151)	275 (31)	1 (25)
40–60	30–50	230						
75–125	60–100	460						
100–150	75–125	575						
60–150	50–125	208	(2) 2–500 (33,6–253)	500 (56)	Zapata 1: 1,0 (25) Zapata 2: 2,0 (50)	(2) 2–500 (33,6–253)	500 (56)	Zapata 1: 1,0 (25) Zapata 2: 2,0 (50)
75–200	60–150	230						
150–400	125–350	460						
200–500	150–400	575						

<sup>1</sup> Consulte la información en la placa de datos del producto para confirmar los requisitos de par de apriete. La información provista en esta tabla es para su uso como referencia solamente.

ESPAÑOL

**Tabla 21: Gama de tamaños de los conductores de la barra de puesta a tierra y requisitos de par de apriete**

Val. nom. del controlador		Barra de puesta a tierra		
hp	V	AWG (mm <sup>2</sup> )	lbs-pulg (N•m)	Sección sin aislamiento pulg (mm)
<b>Gabinetes tamaños A, B o C</b>				
3–50	208	14–4 (2–21)	35 (4,0)	0,35 (9)
5–60	230			
10–125	460			
15–150	575			
<b>Gabinetes tamaño D, circuitos de alimentación S05, N05, R05 o Y05</b>				
3–50	208	14–4 (2–21)	35 (4,0)	0,35 (9)
40–60	230			
75–125	460			
100–150	575			
<b>Gabinetes tamaño D, circuito de alimentación B05</b>				
60–125	208	14–8 (2,1–8,4) 6–1/0 (13,3–53,5)	36 (4,1) 45 (5,1)	0,6 (15,2) 0,6 (15,2)
75–150	230			
150–300	460			
200–300	575			
<b>Gabinetes tamaños E, F o G</b>				
60–150	208	6–300 (13,3–151)	275 (31,1)	1 (25,4)
75–200	230			
150–400	460			
200–500	575			

**Tabla 22: Gama de tamaños de los conductores de la entrada de acometida (Mod Z10) y requisitos de par de apriete**

Valor nominal del controlador			Neutro principal		Tierra	
40 °C (104 °F) hp	Tipo 3R (UL) o 50 °C (122 °F) hp	V	AWG (mm <sup>2</sup> )	lbs-pulg (N•m)	AWG (mm <sup>2</sup> )	lbs-pulg (N•m)
3–25	3–20	208	12–1/0 Al (3,3–53,3 Al) 14–1/0 Cu (2,1–53,3 Cu)	75 (8,5)	12–1/0 Al (3,3–53,3 Al) 14–1/0 Cu (2,1–53,3 Cu)	50 (5,6)
5–30	5–25	230				
10–60	10–50	460				
15–75	15–60	575				
30–50	25–40	208	4–300 (21,1–151)	250 (28,2)	6–4 (13,3–21,1) 8 (8,4)	45 (5,1) 40 (4,5)
40–60	30–50	230				
75–125	60–100	460				
100–150	75–125	575				

Continúa en la siguiente página



**Tabla 22: Gama de tamaños de los conductores de la entrada de acometida (Mod Z10) y requisitos de par de apriete**

Valor nominal del controlador			Neutro principal		Tierra	
40 °C (104 °F)  hp	Tipo 3R (UL) o 50 °C (122 °F) hp	V	AWG (mm <sup>2</sup> )	lbs-pulg (N•m)	AWG (mm <sup>2</sup> )	lbs-pulg (N•m)
75–125	60–100	208	1–500 (42,4–253)	300 (33,9)	4–300 (21,1–151)	250 (28,2)
100–150	75–125	230				
200–300	150–250	460				
250–300	200–250	575				
150	125	208	3/0–500 (85–253)	300 (33,9)	6–250 (13,3–127)	275 (31,1)
200	150	230				
350–400	300–350	460				
400–500	350–400	575				

ESPAÑOL

### Alambrado de control

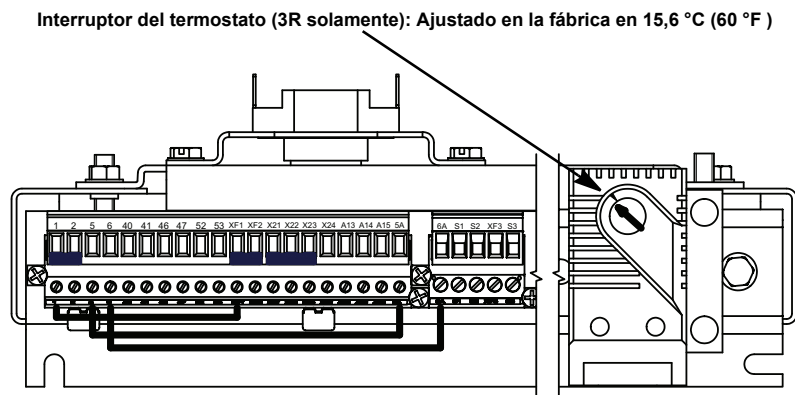
Conecte los cables de control en la parte superior del bloque de terminales TB1 desprendible. Consulte la figura 38 ó 39 (páginas 71 and 72).

- Las terminales de control son de 250 V, 12 A. El tamaño máximo de cable para las terminales de control es de:
  - 2,5 mm<sup>2</sup> (12 AWG), 1 hilo
  - 1,5 mm<sup>2</sup> (16 AWG), 2 hilos
- Par de apriete mínimo: 0,5 N•m (4,5 lbs-pulg)
- Las terminales de usuario para el circuito de alimentación B05 han sido designadas en los diagramas de alambrado. Consulte las figuras 43–47 en las páginas 94–98.

Para obtener información sobre otras opciones de circuito de alimentación S05, N05, R05 o Y05, consulte la documentación incluida con el controlador.

### Disparo en derivación (B05)

**Figura 38: Bloque de terminales del usuario TB1 y TB2**



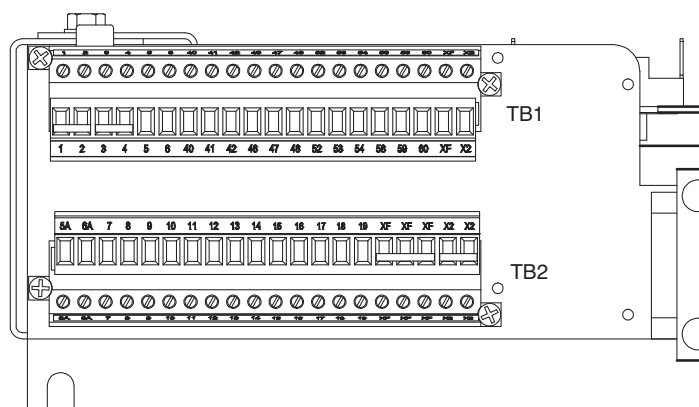
**Tabla 23: Conexiones de terminales del usuario TB1**

Función	Descripción	Terminales del usuario (vea la figura 38)	
		1	2
Bloqueo del usuario	Retire el puente entre las terminales 1 y 2 para agregar el bloqueo.	1	2
Contacto de arranque automático <sup>1</sup>	Entrada de marcha de modo automático	5	6
Contacto de disparo normalmente abierto (N.A.) <sup>2</sup>	Se cierra cuando el controlador se dispara.	40	41
Contacto de modo automático N.A. <sup>3</sup>	Se cierra cuando el modo automático es seleccionado.	46	47
Contacto de marcha N.A. <sup>4</sup>	Se cierra cuando se emite un comando de marcha.	52	53

- 1 Contacto de arranque automático es válido sólo para las opciones de control C06 y E06.
- 2 Requiere la selección de la opción miscelánea J10, contactos auxiliares de aviso de disparo.
- 3 Requiere la selección de la opción miscelánea H10, contacto de modo automático auxiliar N.A. Válido sólo con las opciones de control C06 y E06.
- 4 Requiere la selección de la opción miscelánea F10, contacto de modo de marcha auxiliar N.A..

**Disparo en derivación (S05) y otras opciones de alimentación (N05, R05, Y05)**

**Figura 39: Bloque de terminales del usuario TB1**



**Tabla 24: Conexiones de terminales del usuario TB1**

Función	Descripción	Terminales del usuario (vea la figura 39)	
		1	2
Bloqueo del usuario 1	Retire el puente entre las terminales 1 y 2 para agregar el bloqueo.	1	2
Bloqueo del usuario 2	Retire el puente entre las terminales 3 y 4 para agregar el bloqueo.	3	4
Contacto de arranque automático <sup>1</sup>	Entrada de marcha de modo automático	5	6
Contacto de disparo normalmente abierto (N.A.) <sup>2</sup>	Se cierra cuando se detecta una falla.	40	41
Contacto de disparo normalmente cerrado (N.C.) <sup>2</sup>	Se abre cuando se detecta una falla.	41	42
Contacto de modo automático N.A. <sup>3</sup>	Se cierra cuando el modo automático es seleccionado.	46	47

Continúa en la siguiente página

**Tabla 24: Conexiones de terminales del usuario TB1**

Función	Descripción	Terminales del usuario (vea la figura 39)	
Contacto de marcha N.A. <sup>4</sup>	Se cierra cuando se emite un comando de marcha.	52	53
Contacto de marcha N.C. <sup>4</sup>	Se abre cuando se emite un comando de marcha.	53	54
Contacto de derivación N.A. <sup>5</sup>	Se cierra cuando el controlador se coloca en el modo de derivación.	58	59
Contacto de derivación N.C. <sup>5</sup>	Se abre cuando el controlador se coloca en el modo de derivación.	59	60
Alimentación de control (120 V~)	Proporciona acceso a la alimentación de control cuando se selecciona la opción B10.	XF	X2

- <sup>1</sup> Contacto de arranque automático es válido sólo para las opciones de control C06 y E06.
- <sup>2</sup> Requiere la selección de la opción miscelánea J10, contactos auxiliares de aviso de disparo.
- <sup>3</sup> Requiere la selección de la opción miscelánea H10, contacto de modo automático auxiliar N.A. Válido sólo con las opciones de control C06 y E06.
- <sup>4</sup> Requiere la selección de la opción miscelánea F10, contacto de modo de marcha auxiliar N.A..
- <sup>5</sup> Se requiere la selección de la opción miscelánea Y06 y la opción miscelánea G10.

## Procedimiento de arranque inicial

### **⚠ PELIGRO**

#### **PELIGRO DE DESCARGA ELÉCTRICA, EXPLOSIÓN O DESTELLO POR ARQUEO**

Asegúrese de leer y comprender las precauciones descritas en “Antes de comenzar” que comienza en la página 8 antes de realizar los procedimientos de esta sección.

**El incumplimiento de estas instrucciones podrá causar la muerte o lesiones serias.**

### **⚠ PELIGRO**

#### **PELIGRO DE DESCARGA ELÉCTRICA, EXPLOSIÓN O DESTELLO POR ARQUEO**

- Utilice equipo de protección personal (EPP) apropiado y siga las prácticas de seguridad en trabajos eléctricos establecidas por su Compañía, consulte la norma 70E de NFPA y NOM-029-STPS.
- Solamente el personal eléctrico especializado deberá instalar y prestar servicio de mantenimiento a este equipo.
- Desenergice el equipo antes de realizar cualquier trabajo dentro o fuera de él.
- Siempre utilice un dispositivo detector de tensión nominal adecuado para confirmar la desenergización del equipo.
- Vuelva a colocar todos los dispositivos, las puertas y las cubiertas antes de energizar este equipo.

**El incumplimiento de estas instrucciones podrá causar la muerte o lesiones serias.**

## **⚠ PELIGRO**

### **PERSONAL NO CALIFICADO**

- Solamente el personal especializado deberá instalar y prestar servicio de mantenimiento a este equipo.
- El personal calificado a cargo de la realización de diagnóstico de problemas, quienes energizarán los conductores eléctricos, debe cumplir con la norma 70E del NFPA que trata sobre los requisitos de seguridad eléctrica para el personal en el sitio de trabajo así como la norma 29 CFR parte 1910, Sub-parte S de OSHA que también trata sobre la seguridad eléctrica.

**El incumplimiento de estas instrucciones podrá causar la muerte o lesiones serias.**

El controlador 22 en gabinete está configurado para las opciones instaladas y ha sido probado en la fábrica. Tal vez sea necesario realizar ajustes menores para completar la instalación en campo en base a los requisitos de la aplicación. Siga este procedimiento de arranque inicial paso por paso.

Con toda la alimentación entrante desconectada, realice las siguientes comprobaciones al equipo:

1. Asegúrese de que todos los desconectores estén abiertos.
2. Si han sido incluidos, ajuste el interruptor selector<sup>1</sup> en Off (desconectado) o Stop (parado).
3. Desenergice el equipo antes de realizar cualquier trabajo dentro o fuera de él y siga los procedimientos de bloqueo / etiquetado. Siempre utilice un dispositivo detector de tensión nominal adecuado para confirmar la desenergización del equipo.
4. Coloque la palanca de la unidad en la posición de abierto "O/Off" y abra la puerta.
5. Revise el alambrado de tierra de la alimentación de entrada y del motor.
6. Asegúrese de que los conductores del motor estén conectados a las terminales de carga en el gabinete marcadas T1, T2 y T3. Las terminales de carga se encuentran en el arrancador suave, relevador de sobrecarga de derivación o bloque de distribución de alimentación, según el circuito de alimentación, potencia y tensión seleccionados.

## **⚠ PELIGRO**

### **PELIGRO DE DESCARGA ELÉCTRICA, EXPLOSIÓN O DESTELLO POR ARQUEO**

- Conecte correctamente el tablero del controlador a tierra antes de energizar.
- Cierre y sujete la puerta del gabinete antes de energizar.
- Algunos ajustes y procedimientos de prueba requieren la energización del controlador. Proceda con mucho cuidado ya que existen tensiones peligrosas. La puerta del gabinete debe estar cerrada y bien sujeta mientras energiza o arranca y para el controlador. Siempre siga las prácticas y procedimientos de la norma NFPA 70E, "Norma para la seguridad eléctrica en el sitio de trabajo" y NOM-029-STPS.

**El incumplimiento de estas instrucciones podrá causar la muerte o lesiones serias.**

<sup>1</sup> El interruptor selector viene con opciones de control A06, B06, D06 y E06.

7. Cierre y sujete la puerta del gabinete. Cierre el desconectador del controlador. Cierre el desconectador del equipo de suministro.
8. Abra el desconectador del controlador moviendo la palanca a la posición de abierto (O/Off). Abra la puerta del gabinete.
9. Con un dispositivo detector de tensión nominal apropiado ajustada en la escala correcta, asegúrese de que la tensión de línea entrante en el lado de línea del dispositivo de desconexión tenga un valor dentro de +10% /-15% de la tensión nominal de entrada especificada en la placa de datos del controlador.
10. Cierre y sujete la puerta del gabinete. Cierre el dispositivo de desconexión del equipo. La lámpara piloto de desconexión, si fue incluida, se ilumina.<sup>1</sup>

Este controlador proporciona protección térmica directa para el motor cuando un sensor térmico del motor está conectado a las terminales PTC1 y PTC2 en el bloque de terminales del arrancador suave ATS22. Consulte el *Manual de usuario del ATS22*, BBV51330, para obtener detalles adicionales.

## **⚠ PRECAUCIÓN**

### **PELIGRO DE SOBRECALENTAMIENTO DEL MOTOR**

Use un sensor térmico en el motor, según los requisitos del fabricante del motor, para protegerlo contra sobrecalentamiento en cualquier velocidad y bajo cualquier condición de carga.

**El incumplimiento de estas instrucciones puede causar lesiones personales o daño al equipo.**

11. Ajuste la corriente a plena carga de la siguiente manera:

- Oprima y mantenga oprimida la tecla de flecha abajo en la terminal de programación y ajustes hasta que la pantalla muestre **CO**nF. Oprima la tecla ENT una vez, y luego la tecla flecha abajo hasta que se muestra In.
- Oprima la tecla ENT, luego use las teclas de flecha arriba y flecha abajo para ajustar el valor de la corriente a plena carga en el valor especificado en la placa de datos del motor.
- Oprima la tecla ENT para guardar el ajuste, y oprima la tecla ESC dos veces para regresar al menú de estado.

**NOTA:** Los ajustes que figuran en este procedimiento son adecuados para la mayoría de las aplicaciones. Si su aplicación necesita funciones diferentes, consulte el *Manual de usuario del ATS22*, BBV51330.

## **⚠ ADVERTENCIA**

### **PELIGRO –PIEZAS MÓVILES**

Antes de arrancar el controlador 22 en gabinete, asegúrese de que el motor y su carga conectada estén libres de personal y que esté listo para ponerse en marcha.

**El incumplimiento de estas instrucciones puede causar la muerte o lesiones serias.**

<sup>1</sup> Las lámparas piloto son provistas con las opciones A07, B07, C07 o D07.

12. Compruebe el sentido de giro del motor de la siguiente manera:

- Ajuste el interruptor selector, si fue incluido, en Manual o Marcha.<sup>1</sup> Oprima el botón de Arranque, si fue incluido.<sup>2</sup> Compruebe el sentido de giro del motor. Si es correcto, proceda al paso 13 en la página 76. De lo contrario, oprima el botón de Paro y/o gire el interruptor selector de regreso a Desconexión o Paro.

## **⚠ PELIGRO**

### **PELIGRO DE DESCARGA ELÉCTRICA, EXPLOSIÓN O DESTELLO POR ARQUEO**

- Utilice equipo de protección personal (EPP) apropiado y siga las prácticas de seguridad en trabajos eléctricos establecidas por su Compañía, consulte la norma 70E de NFPA y NOM-029-STPS.
- Solamente el personal eléctrico especializado deberá instalar y prestar servicio de mantenimiento a este equipo.
- Desenergice el equipo antes de realizar cualquier trabajo dentro o fuera de él.
- Siempre utilice un dispositivo detector de tensión nominal adecuado para confirmar la desenergización del equipo.
- Vuelva a colocar todos los dispositivos, las puertas y las cubiertas antes de energizar este equipo.

**El incumplimiento de estas instrucciones podrá causar la muerte o lesiones serias.**

- Desenergice el equipo antes de realizar cualquier trabajo dentro o fuera de él y siga los procedimientos de bloqueo / etiquetado. Siempre utilice un dispositivo detector de tensión nominal adecuado para confirmar la desenergización del equipo.
- Coloque la palanca de la unidad en la posición de abierto "O/Off" y abra la puerta.
- Corrija el sentido de giro del motor invirtiendo cualesquiera dos conductores del motor conectados a la salida del controlador.
- Cierre y sujete la puerta del gabinete. Cierre el dispositivo de desconexión del equipo. La lámpara piloto de Desconexión, si fue incluida, se ilumina.
- Ajuste el interruptor selector, si fue incluido, en Manual o Marcha. Oprima el botón de Arranque, si fue incluido. Compruebe el sentido de giro del motor. Si es correcto, con esto se completa la comprobación de giro del motor.

13. Si es necesario para la aplicación, ajuste el tiempo de aceleración (**ACC**), el tiempo de desaceleración (**dEC**), límite de corriente (**ILt**), tiempo máx. de arranque (**tLs**) y demás parámetros.

<sup>1</sup> El interruptor selector viene con opciones de control B06, C06, D06 y E06.

<sup>2</sup> Los botones de Arranque y Paro viene con opciones de control A06 y E06.

## Ajustes de fábrica del arrancador suave ATS22

Si el arrancador suave ATS22 ha sido sustituido o restablecido en los ajustes de fábrica, tal vez sea necesario ajustar los valores de algunos parámetros. El arrancador suave ATS22 se configura en la fábrica en los ajustes de la tabla 25. Consulte el *Manual de usuario del ATS22*, BBV51330, para obtener información sobre otros ajustes y opciones.

**Tabla 25: Ajustes de fábrica del arrancador suave ATS22**

Menú	Parámetro	Nombre	Unidad	Descripción	Ajuste de fábrica
COnF	UIn	Tensión de línea	V	Tensión de la línea principal	Según la placa de datos
COnF	In	Corriente nominal del motor	A	Corriente nominal del motor	100% del valor nominal especificado en la placa de datos del controlador
AdJ	Snb	No. de arranques	—	Número de arranques	3
AdJ	SLG	Período de arranques	min	Período entre arranques	60
IO	LI2	Entrada lógica LI2	(B05) Circuito de alimentación con disparo en derivación básico	(A06) Botones de Arranque-Paro	Strt (3 hilos)
				(C06) Interruptor selector Manual-Desconectado-Automático	rUn (2 hilos)
				(D06) Interruptor selector Marcha-Paro	rUn (2 hilos)
				(E06) Interruptor selector Manual-Automático y botones de Arranque-Paro	Strt (3 hilos)
				(S05, N05, R05, Y05) Todas las opciones de control	rUn (2 hilos)

## Programación con la opción Omitir terminal de programación y ajustes (U10) o gabinete tipo 3R (UL) (H03)

### PELIGRO

#### PELIGRO DE DESCARGA ELÉCTRICA, EXPLOSIÓN O DESTELLO POR ARQUEO

- Conecte correctamente el tablero del controlador a tierra antes de energizar.
- Cierre y sujete la puerta del gabinete antes de energizar.
- Algunos ajustes y procedimientos de prueba requieren la energización del controlador. Proceda con mucho cuidado ya que existen tensiones peligrosas. La puerta del gabinete debe estar cerrada y bien sujeta mientras energiza o arranca y para el controlador. Siempre siga las prácticas y procedimientos de la norma NFPA 70E, "Norma para la seguridad eléctrica en el sitio de trabajo" y NOM-029-STPS.

**El incumplimiento de estas instrucciones podrá causar la muerte o lesiones serias.**

Cuando se selecciona la opción U10, Omitir terminal de programación y ajustes de montaje en puerta, la terminal (VW3G22101) y el cable (WV3A1104R30) deberán ser solicitados para realizar los cambios de programación al arrancador suave. La opción H03, gabinete tipo 3R (UL), incluye una terminal de programación y ajustes remota y un cable dentro del gabinete.

Para programar el controlador cuando se selecciona la opción H03 o U10:

1. Retire toda la alimentación del controlador, y luego realice la prueba de falta de tensión.

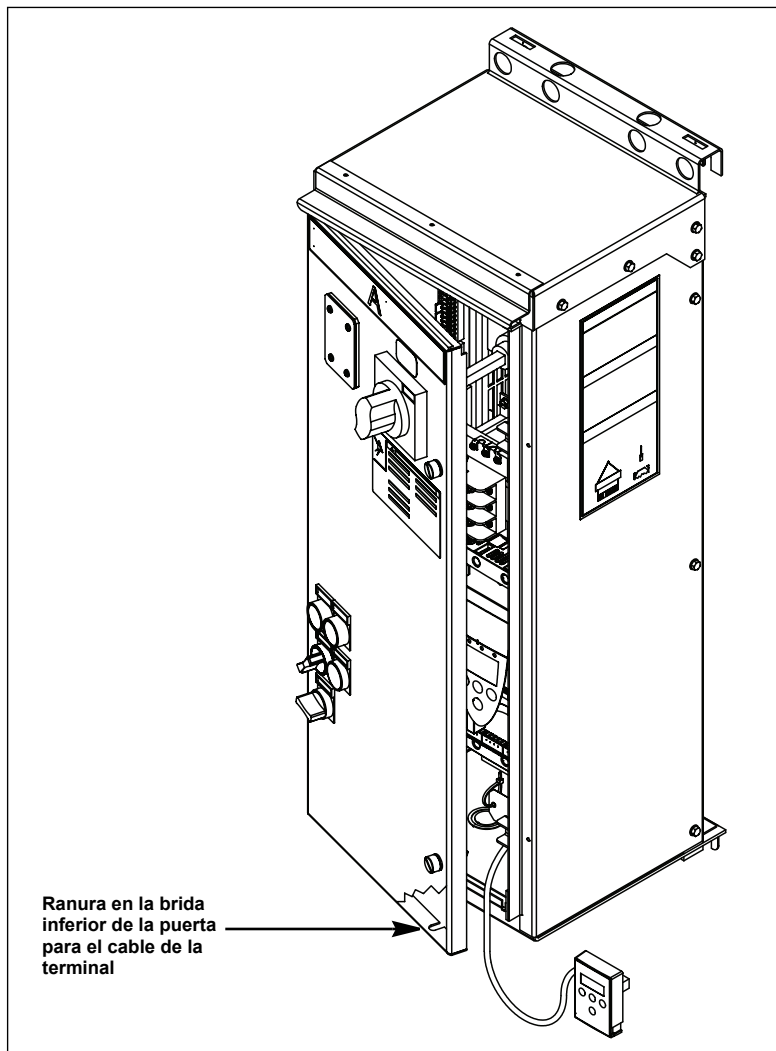
**NOTA:** Asegúrese de que el probador de tensión esté funcionando correctamente antes y después de realizar la prueba de falta de tensión.

2. Gire el ensamble de palanca y el interruptor automático a la posición de abierto (O/Off) y abra la puerta del gabinete.
3. Desmonte la terminal de programación y ajustes y el cable del gabinete.
4. Conecte la terminal de programación y ajustes remota y el cable al arrancador suave.
5. Dirija el cable de la terminal entre la brida inferior del gabinete y la muesca en la parte inferior de la brida de la puerta. Consulte la figura 40 en la página 79.
6. Cierre y sujete la puerta del gabinete. Asegúrese de que el cable de la terminal no sea pellizcado por la puerta.
7. Cierre el dispositivo de desconexión.
8. Programe el controlador con la terminal de programación y ajustes.
9. Al completar la programación, retire toda la alimentación, y luego realice la prueba de falta de tensión.
10. Abra la puerta del gabinete y retire el cable de la terminal de programación y ajustes remota del arrancador suave.
11. Coloque la terminal de programación y ajustes remota y el cable dentro del gabinete. No deje la terminal de programación y ajustes remota en la parte inferior del gabinete.
12. Cierre y sujete la puerta del gabinete.

Para programar o controlar el arrancador suave ATS22 a través del puerto de comunicación Modbus™, consulte el *Manual de usuario del ATS22*, BBV51330.



**Figura 40: Acceso a la terminal de programación y ajustes remota en gabinetes de montaje en pared**



ESPAÑOL

## Ajuste del disparo del protector de circuitos del motor PowerPact Estilo 22T

Si el controlador estilo 22T (desconectador del protector de circuitos del motor PowerPact) es provisto, el interruptor automático de disparo magnético ajustable se ajusta en la fábrica en la corriente mínima. Es posible que se tengan que ajustar estos valores para poder arrancar el motor correctamente. Consulte los límites de punto de ajuste del disparo magnético descritos en las normas aplicables del Código NEC y NOM-001-SEDE.

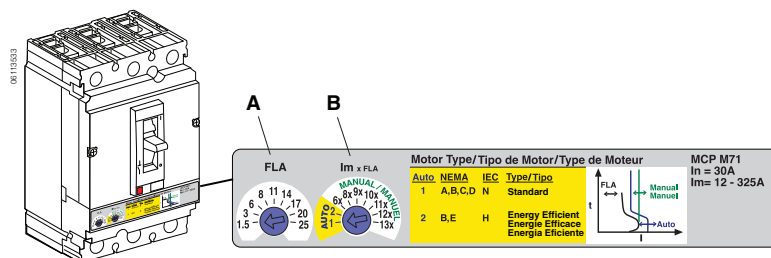
### ⚠ PELIGRO

#### PELIGRO DE DESCARGA ELÉCTRICA, EXPLOSIÓN O DESTELLO POR ARQUEO

- Utilice equipo de protección personal (EPP) apropiado y siga las prácticas de seguridad en trabajos eléctricos establecidas por su Compañía, consulte la norma 70E de NFPA y NOM-029-STPS.
- Solamente el personal eléctrico especializado deberá instalar y prestar servicio de mantenimiento a este equipo.
- Desenergice el equipo antes de realizar cualquier trabajo dentro o fuera de él.
- Siempre utilice un dispositivo detector de tensión nominal adecuado para confirmar la desenergización del equipo.
- Vuelva a colocar todos los dispositivos, las puertas y las cubiertas antes de energizar este equipo.

**El incumplimiento de estas instrucciones podrá causar la muerte o lesiones serias.**

Figura 41: Selectores de FLA e Im del interruptor PowerPact H/J



Para acceder a los selectores de ajuste de disparo instantáneo (Im) y corriente a plena carga (FLA) del interruptor PowerPact H o J:

1. Desenergice el equipo antes de realizar cualquier trabajo dentro o fuera de él y siga los procedimientos de bloqueo / etiquetado. Siempre utilice un dispositivo detector de tensión nominal adecuado para confirmar la desenergización del equipo.
2. Coloque la palanca de la unidad en la posición de abierto "O/Off" y abra la puerta.
3. Para configurar el protector del circuito del motor, consulte el boletín de instrucciones incluido con el equipo, o bien, obtengalo de la biblioteca técnica en el sitio web [www.schneider-electric.us](http://www.schneider-electric.us).

**NOTA:** Los protectores de circuitos del motor son adecuados para los motores con letras de código que indican rotor bloqueado en base a los códigos y normas nacionales aplicables. Para obtener información sobre otros motores, póngase en contacto con su representante local de ventas de Schneider Electric.

**Tabla 26: Selección del protector de circuito del motor estilo 22T**

hp	208 V	230 V	460 V	575 V
3	HLL36030M71	—	—	—
5	HLL36030M71	HLL36030M71	—	—
7,5	HLL36050M72	HLL36050M72	—	—
10	HLL36050M72	HLL36050M72	HLL36030M71	—
15	HLL36100M73	HLL36100M73	HLL36050M72	HLL36030M71
20	HLL36150M74	HLL36100M73	HLL36050M72	HLL36030M71
25	HLL36150M74	HLL36150M74	HLL36050M72	HLL36050M72
30	HLL36150M74	HLL36150M74	HLL36100M73	HLL36050M72
40	HLL36150M74	HLL36150M74	HLL36100M73	HLL36100M73
50	JLL36250M75	JLL36250M75	HLL36150M74	HLL36100M73
60	JLL36250M75	JLL36250M75	HLL36150M74	HLL36100M73
75	DJL36400M36 LLL36400M37XLY	JLL36250M75	HLL36150M74	HLL36150M74
100	DJL36400M36 LLL36400M37XLY	DJL36400M36 LLL36400M37XLY	JLL36250M75	HLL36150M74
125	DJL36600M42 <sup>1</sup> LLL36600M37X <sup>1</sup>	DJL36400M36 LLL36400M37XLY	JLL36250M75	JLL36250M75
150	PLL34060M68 <sup>2</sup>	DJL36600M42 <sup>1</sup> LLL36600M37X <sup>1</sup>	JLL36250M75	JLL36250M75
200	—	PLL34060M68 <sup>2</sup>	DJL36400M36 LLL36400M37XLY	JLL36250M75
250	—	—	DJL36400M36 LLL36400M37XLY	DJL36400M36 LLL36400M37XLY
300	—	—	DJL36600M42 <sup>1</sup> LLL36600M37X <sup>1</sup>	DJL36400M36 LLL36400M37XLY
350	—	—	PLL34060M68	—
400	—	—	PLL34060M68 <sup>2</sup>	PKL36060M68
500	—	—	—	PKL36060M68 <sup>2</sup>

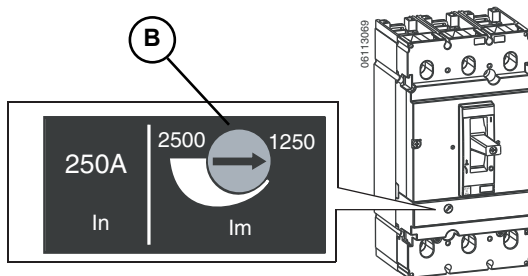
<sup>1</sup> El protector de circuito del motor PowerPact marco P de 600 A viene incluido en los gabinetes tipo 3R (UL) o adecuados para 50 °C (122 °F).

<sup>2</sup> Selección válida para los gabinetes tipos 1 (UL) y 12 (UL) solamente. No válido para gabinetes adecuados para 50 °C (122 °F).

## Estilo 22U

Algunos interruptores automáticos tienen ajustes de disparo que pueden necesitar ajustes según la aplicación y tipo de motor. Para obtener más información acerca de los ajustes de disparo, consulte el boletín de instrucciones del interruptor automático incluido con el equipo, o bien, obténgalo de la biblioteca técnica en el sitio web [www.schneider-electric.us](http://www.schneider-electric.us).

**Figura 42: Selector de FLA e Im del interruptor PowerPact J**



**Tabla 27: Selección del interruptor automático termomagnético estilo 22U**

hp	208 V	230 V	460 V	575 V
3	HLL36025	—	—	—
5	HLL36040	HLL36035	—	—
7,5	HLL36060	HLL36050	—	—
10	HLL36070	HLL36070	HLL36035	—
15	HLL36110	HLL36090	HLL36050	HLL36040
20	HLL36125	HLL36110	HLL36060	HLL36050
25	HLL36150	HLL36125	HLL36070	HLL36060
30	JLL36175	HLL36150	HLL36090	HLL36080
40	JLL36250	JLL36175	HLL36110	HLL36100
50	JLL36250	JLL36250	HLL36125	HLL36125
60	DLL36400E20 LLL36400U31XLY	JLL36250	HLL36150	HLL36150
75	DLL36400E20 LLL36400U31XLY	DLL36400E20 LLL36400U31XLY	JLL36175	HLL36150
100	DLL36600E20 LLL36600U31X	DLL36400E20 LLL36400U31XLY	JLL36250	JLL36175 <sup>1</sup>
125	DLL36600E20 <sup>2</sup> LLL36600U31X <sup>2</sup>	DLL36600E20 LLL36600U31X	JLL36250	JLL36250
150	MJL36600 <sup>3</sup>	DLL36600E20 <sup>2</sup> LLL36600U31X <sup>2</sup>	DLL36400E20 LLL36400U31XLY	JLL36250
200	—	MJL36800 <sup>3</sup>	DLL36400E20 LLL36400U31XLY	DLL36400E20 LLL36400U31XLY
250	—	—	DLL36600E20 LLL36600U31X	DLL36400E20 LLL36400U31XLY
300	—	—	DLL36600E20 <sup>2</sup> LLL36600U31X <sup>2</sup>	DLL36600E20 LLL36600U31X
350	—	—	MJL36800	—
400	—	—	MJL36800 <sup>3</sup>	MJL36600
500	—	—	—	MJL36800 <sup>1</sup>
<b>Interruptor automático con la opción 610</b>				
150	PLL34060 <sup>3</sup>	—	—	—
200	—	PLL34080 <sup>3</sup>	—	—
250	—	—	—	—
300	—	—	—	—
350	—	—	PLL34080	—
400	—	—	PLL34080 <sup>3</sup>	PKL36060
500	—	—	—	PKL36080 <sup>3</sup>

<sup>1</sup> El interruptor automático JLL36200 viene incluido para los gabinetes tipo 3R (UL) o adecuados para 50 °C (122 °F).

<sup>2</sup> El interruptor automático PowerPact marco M o P de 600 A viene incluido en los gabinetes tipo 3R (UL) o adecuados para 50 °C (122 °F).

<sup>3</sup> Selección válida para los gabinetes tipos 1 (UL) y 12 (UL) solamente. No válido para gabinetes adecuados para 50 °C (122 °F).

## Recomendaciones de fusibles de alimentación estilo 22F

El cliente debe suministrar e instalar los fusibles de alimentación en los controladores con seccionadores desconectores fusibles. Seleccione los fusibles de las tablas 28 y 29 (página 83). Todos los controladores 22 en gabinete aceptan fusibles de retardo de tiempo clase J aprobados por UL, según la corriente nominal a plena carga.

Seleccione los fusibles según las recomendaciones delineadas en esta sección y asegúrese de que estén conformes con todos los códigos locales y nacionales con respecto a la selección de protección de fusibles y la corriente a plena carga real del motor. Las selecciones provistas en las tablas 28 y 29 (página 83) cumplen con los requisitos de la norma NFPA 70 (NEC o NOM-001-SEDE) y con el código eléctrico canadiense (CEC) en base a la corriente nominal del controlador 22 en gabinete.

Para solicitar fusibles de alimentación de Schneider Electric, consulte la Sección 5 – Servicio de mantenimiento en la página 108. Consulte con la fábrica para conocer los valores de intensidad de corriente de otros fusibles.

**Tabla 28: Intensidad de corriente máxima de los fusibles de alimentación para los controladores con seccionador desconectador fusible (22F)**

hp	208 V	230 V	460 V	575 V
3	15	—	—	—
5	25	30	—	—
7,5	40	35	—	—
10	50	45	20	—
15	80	70	35	25
20	100	90	45	35
25	125	110	60	45
30	150	125	70	50
40	200	175	90	70
50	250	225	110	90
60	250	250	125	100
75	350	300	150	125
100	450	400	200	150
125	600	500	250	200
150	600 <sup>1</sup>	600	300	250
200	—	600 <sup>1</sup>	400	300
250	—	—	500	400
300	—	—	600	500
350	—	—	600	500
400	—	—	600 <sup>1</sup>	600
500	—	—	—	600 <sup>1</sup>

<sup>1</sup> Selección válida para los gabinetes tipos 1 (UL) y 12 (UL) solamente. No válido para gabinetes adecuados para 50 °C (122 °F).

**Tabla 29: Corriente nominal de la base fusible clase J aprobada por UL (incluida) para los controladores con seccionador desconectador fusible (22F)**

hp	208 V	230 V	460 V	575 V
3	30	—	—	—
5	30	30	—	—
7,5	60	60	—	—
10	60	60	30	—
15	100	100	60	30
20	100	100	60	60
25	200	200	60	60
30	200	200	100	60
40	200	200	100	100
50	400	400	200	100
60	400	400	200	100
75	400	400	200	200
100	600	400	200	200
125	600	600	400	200
150	600 <sup>1</sup>	600	400	400
250	—	600 <sup>1</sup>	400	400
250	—	—	600	400
300	—	—	600	600
350	—	—	600	600
400	—	—	600 <sup>1</sup>	600
500	—	—	—	600 <sup>1</sup>

<sup>1</sup> Selección válida para los gabinetes tipos 1 (UL) y 12 (UL) solamente. No válido para gabinetes adecuados para 50 °C (122 °F).

## Ajuste del relevador de sobrecarga

Siempre asegúrese de que el ajuste del relevador de sobrecarga no exceda la corriente a plena carga del motor o la corriente nominal del controlador especificada en la placa de datos, cualquiera que sea menor.

Las tablas 30 y 31 proporcionan la gama de ajustes provista para los relevadores de sobrecarga según la potencia y tensión. Póngase en contacto con la fábrica si la gama de ajuste no cumple con las exigencias de la aplicación deseada.

**Tabla 30: Gamas de ajustes del relevador de sobrecarga para la operación de derivación a tensión plena (tipos 1 [UL] y 12 [UL])**

hp	208 V	230 V	460 V	575 V
3	9–13	—	—	—
5	12–18	12–18	—	—
7,5	23–28	16–24	—	—
10	23–32	25–32	12–18	—
15	37–50	37–50	16–24	12–18
20	48–65	48–65	23–28	17–25
25	60–100	55–70	30–40	23–32
30	60–hp100	60–100	30–40	30–40
40	90–150	90–150	48–65	37–50
50	90–150	90–150	55–70	48–65

Continúa en la siguiente página

**Tabla 30: Gamas de ajustes del relevador de sobrecarga para la operación de derivación a tensión plena (tipos 1 [UL] y 12 [UL]) (continuación)**

hp	208 V	230 V	460 V	575 V
60	132–220	132–220	60–100	48–65
75	200–330	132–220	60–100	60–100
100	200–330	200–330	90–150	90–150
125	300–500	200–330	132–220	90–150
150	300–500	300–500	132–220	132–220
200	—	380–630	200–330	132–220
250	—	—	200–330	200–330
300	—	—	300–500	200–330
350	—	—	300–500	—
400	—	—	380–630	300–500
500	—	—	—	380–630

**Tabla 31: Gamas de ajustes del relevador de sobrecarga para la operación de derivación a tensión plena (tipo 3R [UL] y 50 °C [122 °F])**

hp	208 V	230 V	460 V	575 V
3	9–13	—	—	—
5	12–18	12–18	—	—
7,5	17–25	16–24	—	—
10	23–32	23–32	12–18	—
15	37–50	37–50	16–24	12–18
20	48–65	48–65	23–28	17–25
25	60–100	60–100	30–40	23–32
30	60–100	60–100	30–40	30–40
40	90–150	90–150	48–65	37–50
50	132–220	90–150	60–100	48–65
60	132–220	132–220	60–100	48–65
75	200–330	132–220	60–100	60–100
100	200–330	200–330	90–150	90–150
125	300–500	200–330	132–220	90–150
150	—	300–500	132–220	132–220
200	—	—	200–330	132–220
250	—	—	200–330	200–330
300	—	—	200–330	200–330
350	—	—	300–500	300–500
400	—	—	—	300–500

ESPAÑOL





## Sección 4—Descripción de los circuitos

### Precauciones

#### **⚠ PELIGRO**

##### **PELIGRO DE DESCARGA ELÉCTRICA, EXPLOSIÓN O DESTELLO POR ARQUEO**

Asegúrese de leer y comprender las precauciones descritas en “Antes de comenzar” que comienzan en la página 8 antes de realizar los procedimientos de esta sección.

**El incumplimiento de estas instrucciones podrá causar la muerte o lesiones serias.**

#### **⚠ PELIGRO**

##### **FUNCIONAMIENTO ACCIDENTAL DEL EQUIPO**

Antes de hacer funcionar el controlador 22 en gabinete:

- Lea y asegúrese de entender el *Manual de usuario del ATS22*, BBV51330, antes de cambiar el valor de fábrica de cualquier parámetro. Consulte la tabla 25 en la página 77 para obtener la secuencia de ajuste de los parámetros.
- Si el arrancador suave ATS22 se ha reinicializado empleando la función de ajuste total o parcial de fábrica, el arrancador suave debe reprogramarse en los valores que figuran la tabla 25 en la página 77.
- Si el arrancador suave o tarjeta de control principal del arrancador es sustituida, el arrancador tendrá que reprogramarse de acuerdo con las instrucciones en la tabla 25 en la página 77.

**El incumplimiento de estas instrucciones puede causar la muerte o lesiones serias.**

### **Circuito de alimentación B: Disparo en derivación básico**

El circuito de alimentación de disparo en derivación básico es una versión con espacio optimizado del controlador 22 en gabinete. El espacio libre provisto es limitado para el equipo de control que se va a montar en campo.

Si se detecta una falla, la bobina de disparo en derivación dispara el interruptor automático, retirando toda la alimentación en el lado de carga del desconectador. Después de haber eliminado todas las fallas detectadas, el desconectador debe ser restablecido antes de volver a arrancar el controlador. La función de disparo en derivación es coordinada por un relevador de tiempo de retardo (de 2 segundos) que recibe la señal del relevador para anunciar el disparo.

### **Circuito de alimentación S: Disparo en derivación con funciones completas**

El circuito de alimentación de disparo en derivación con funciones completas es una versión totalmente adaptada del controlador 22 en gabinete. Se ha incluido espacio adicional de ingeniería si desea solicitar opciones y equipo para ser instalados en campo.

Si se detecta una falla, la bobina de disparo en derivación dispara el interruptor automático, retirando toda la alimentación en el lado de carga del desconectador. Después de haber eliminado todas las fallas detectadas, el desconectador debe ser restablecido antes de volver a arrancar el controlador. La función de disparo en derivación es coordinada

por un relevador de tiempo de retardo (de 2 segundos) que recibe la señal del relevador para anunciar el disparo.

## Circuito de alimentación N: Aislamiento (no reversible)

El circuito de alimentación no reversible proporciona un contactor de aislamiento de línea en frente del arrancador suave ATS22 cuando el arrancador no está en funcionamiento, protegiendo al arrancador de transitorios del sistema de alimentación potencialmente peligrosos, inducidos por descargas eléctricas o la conmutación de los capacitores. Se ha incluido espacio adicional de ingeniería si desea solicitar opciones y equipo para ser instalados en campo.

Al aplicar tensión, el arrancador suave recibe alimentación de control. La alimentación de la línea principal permanece aislada del arrancador suave hasta que se ejecuta un comando de marcha, en cuyo momento el contactor de aislamiento se cierra y el motor comienza a arrancar. En caso de una falla detectada, o bien, si el comando de marcha no es ejecutado, el contactor de aislamiento se abre.

**NOTA:** Si se ha programado un paro suave, el contactor de aislamiento permanecerá cerrado hasta alcanzar el fin de tiempo de la rampa de paro suave.

## Circuito de alimentación R: Operación reversible

El circuito de alimentación de la operación reversible proporciona un contactor de aislamiento de línea en frente del arrancador suave ATS22 cuando el arrancador no está en funcionamiento, protegiendo al arrancador de transitorios del sistema de alimentación potencialmente peligrosos, inducidos por descargas eléctricas o la conmutación de los capacitores. Además, los contactores reversibles integrales permiten la selección de operaciones del motor de marcha adelante o marcha atrás.

Al aplicar tensión, el arrancador suave recibe alimentación de control. La alimentación de la línea principal permanece aislada del arrancador suave hasta que el interruptor selector direccional se pone en marcha adelante o marcha atrás, en cuyo momento el contactor del lado de línea se cierra y el motor comienza a arrancar. En caso de una falla detectada, o bien, si el interruptor se abre "Off/O", el contactor del lado de línea se abre.

Un retardo de arranque intencional de 15 segundos ha sido configurado de fábrica. Al invertir la dirección del motor, coloque el interruptor en la posición de abierto "Off/O" hasta que el motor llegue a un paro completo, luego gírelo a la dirección deseada.

**NOTA:** No se recomienda ejecutar un paro suave en el circuito de alimentación de operación reversible. Aislamiento de línea ha sido proporcionado en caso de que el comando de marcha sea desactivado. No se recomienda la activación del modo Automático.

## Circuito de alimentación Y: Aislamiento con derivación a tensión plena integrada

El aislamiento con circuito de alimentación de derivación a plena tensión integral proporciona la misma función que el circuito de alimentación N descrito anteriormente. Además, un arrancador de derivación a tensión plena integral ha sido provisto en el caso improbable de que el arrancador no funcione.

El arrancador de derivación a plena tensión integral incluye un relevador de sobrecarga bimetálico o de estado sólido clase 20 además de un botón de restablecimiento del relevador de sobrecarga montado en la puerta.

**NOTA:** La conmutación entre el modo *Normal* y el modo de *Derivación* sin permitir el paro total del motor no es recomendable.

## Funcionamiento (tipo 3R [UL])

Para evitar condensación en el interior del gabinete, deje la línea principal energizada aún cuando el motor no esté en marcha.

## Opciones de control

### Mod A06: Botones de Arranque-Paro

La opción Mod A06 incluye un botón de arranque negro (montado en la puerta) y un botón de paro rojo (montado en la puerta) para hacer funcionar el controlador localmente (esquema de control de 3 hilos).

- El botón de Arranque envía un comando al controlador para arrancar el motor.
- El botón de Paro envía un comando al controlador para parar el motor a través de un paro de rueda libre (ajuste de fábrica) o bien a través de la rampa desaceleración.

### Mod B06: Interruptor selector de marcha Adelante-Paro-Atrás

La opción Mod B06 incluye un interruptor selector de marcha Adelante-Paro-Atrás, montado en la puerta, para hacer funcionar el controlador (esquema de control de 2 hilos).

- Los modos de marcha Adelante y marcha Atrás están dedicados al control direccional de los motores vinculados a las aplicaciones que requieren el giro del motor en ambas direcciones. Cuando el selector se cambia de posición, el controlador arranca el motor en la dirección seleccionada.
- En el modo Paro, el controlador envía un comando para parar el motor con el modo de parada libre. La programación de la función de paro suave no es recomendable ya que al intentar parar el motor suavemente se disparará el controlador.

Siempre deje que el motor pare completamente antes de cambiar el sentido de dirección.

### Mod C06: Interruptor selector Manual-Desconectado-Automático

La opción Mod C06 incluye un interruptor selector Manual-Desconectado-Automático para hacer funcionar el controlador (esquema de control de 2 hilos).

- El modo Manual es para control local. Cuando se selecciona el modo Manual, el controlador arranca el motor.
- En el modo de Desconectado se envía un comando al controlador para parar el motor a través de un paro de rueda libre (ajuste de fábrica) o bien a través de la rampa desaceleración.
- El modo Automático es para control remoto. En el modo Automático, el controlador arranca el motor cuando el contacto de Arranque (provisto por el cliente) se cierra entre las terminales 5 y 6 del controlador. El controlador para el motor cuando el contacto de Arranque (provisto por el cliente) se abre. Consulte la tabla 23 en la página 72.

### Mod D06: Interruptor selector de Paro-Marcha

La opción Mod D06 incluye un interruptor selector de Paro-Marcha (montado en la puerta) para hacer funcionar el controlador (esquema de control de 2 hilos).

- En el modo de Marcha se envía un comando al controlador para arrancar el motor.
- En el modo de Paro se envía un comando al controlador para parar el motor a través de un paro de rueda libre (ajuste de fábrica) o bien a través de la rampa desaceleración.

## Mod E06: Interruptor selector Manual-Automático y botones de Arranque-Paro

La opción Mod E06 incluye un interruptor selector Manual-Automático negro, montados en la puerta, un botón de Arranque y un botón de Paro (esquema de control de modo combinado).

- El modo Manual es para control local. En el modo Manual:
  - el botón de Arranque envía un comando al controlador para arrancar el motor.
  - el botón de Paro envía un comando al controlador para parar el motor a través de un paro de rueda libre (ajuste de fábrica) o bien a través de la la rampa desaceleración.
- El modo Automático es para control remoto. En el modo Automático, el controlador arranca el motor cuando el contacto de Arranque (provisto por el cliente) se cierra entre las terminales 5 y 6 del controlador. El controlador para el motor cuando el contacto de Arranque (provisto por el cliente) se abre. Consulte la tabla 23 en la página 72. En el modo Automático:
  - el botón de Arranque **no** envía un comando al controlador para arrancar el motor localmente.
  - el botón de paro **no** envía un comando de paro al controlador. Para parar el controlador, retire el comando de arranque en modo automático o desconecte "O/Off" el seccionador desconectador principal.

## Sin operadores de control

No se proporcionan operadores de control montados en la puerta. Omita la selección de opción de control cuando su pedido no incluya operadores.

## Opción de grupo de lámparas piloto

### Mod A07: Grupo 1 de lámparas piloto

La opción Mod A07 incluye lámparas piloto roja de Marcha (On) y verde de Desconexión (Off) para anunciar el estado.

### Mod B07: Grupo 2 de lámparas piloto

La opción Mod B07 incluye lámparas piloto roja de Marcha (Prueba) y verde de Desconexión (Prueba) para anunciar el estado.

### Mod C07: Grupo 3 de lámparas piloto

La opción Mod C07 incluye lámparas piloto roja de Marcha (On), verde de Desconexión (Off) y amarilla de Disparo para indicar el estado.

### Mod D07: Grupo 4 de lámparas piloto

La opción Mod D07 incluye lámparas piloto roja de Marcha (Prueba), verde de Desconexión (Prueba) y amarillo de Disparo para indicar el estado. La lámpara piloto amarilla de Disparo incluye un botón pulsador que sirve también para restablecer un disparo en el arrancador suave ATS22.

## Sin lámparas piloto

No incluye lámparas piloto montadas en la puerta, por consiguiente, omita la opción de lámpara piloto cuando su pedido no incluya las lámparas.

## Opciones de medidores

### Mod B08: Medidor de tiempo de marcha transcurrido

La opción Mod B08 incluye un medidor de tiempo transcurrido, montado en la puerta, que indica el número de horas que el controlador ha estado en marcha.

## Opciones varias

### Mod A10: Kit de montaje en piso

La opción Mod A10 para los gabinetes D incluye un kit para montar el equipo en el piso.

### Mod B10: Alimentación de control de 150 VA

La opción Mod B10 proporciona capacidad adicional de VA en los transformadores de alimentación de control para energizar el equipo que se instala en campo y los circuitos de control.

### Mod C10: Retardo de conexión durante la energización

La opción Mod C10 ofrece la función de arranque retardado. El retardo se puede programar entre uno y treinta segundos ajustando el temporizador ODRT. El ajuste de fábrica es quince segundos.

### Mod D10: Botón de paro de emergencia

La opción Mod D10 incluye un botón de paro de emergencia montado en la puerta. Cuando esta opción es seleccionada, el seccionador desconectador ofrece una función de disparo en derivación. Al oprimir el botón de paro de emergencia se disparará el seccionador desconectador retirando toda la alimentación eléctrica del controlador.

**NOTA:** Pare restablecer su funcionamiento, el botón deberá jalarse y el seccionador desconectador restablecerse en la posición de abierto "Off/O" y luego en la posición de cerrado "On/I".

### Mod E10: Etiqueta cUL

La opción Mod E10 incluye una etiqueta de Underwriters Laboratories canadiense cuando lo requieren los códigos locales.

### Mod F10: Contacto auxiliar para anunciar el modo de Marcha

#### Circuito de alimentación B05

La opción Mod F10 incluye un contacto forma A, normalmente abierto (N.A.) de 5 A en 120 V~ conectado en los bloques de terminales. El contacto cambia de estado cuando el controlador está aplicando alimentación al motor.

#### Circuitos de alimentación S05, N05, R05 y Y05

La opción Mod F10 incluye un juego de contactos forma C, de 5 A en 120 V~ conectados en los bloques de terminales. Los contactos cambian de estado cuando el controlador está aplicando alimentación al motor.

### Mod G10: Contacto auxiliar para indicar la marcha en derivación

La opción Mod G10 incluye un contacto forma C, de 5 A en 120 V~ conectado en los bloques de terminales. El contacto se cierra cuando el controlador está aplicando alimentación al motor.

### Mod H10: Contacto auxiliar para anunciar el modo Automático

**NOTA:** La opción Mod C06 (interruptor selector Manual-Desconectado-Automático) o E06 (interruptor selector Manual-Automático) debe ser especificada con la opción Mod H10.

### Circuito de alimentación B05

La opción Mod H10 incluye un contacto forma A, normalmente abierto (N.A.) de 5 A en 120 V~ conectado en los bloques de terminales. El contacto cambia de estado cuando el controlador se coloca en el modo Automático (remoto).

### Circuitos de alimentación S05, N05 y Y05

La opción Mod H10 incluye un juego de contactos forma C, de 5 A en 120 V~ conectados en los bloques de terminales. Los contactos cambian de estado cuando el controlador se coloca en el modo Automático (remoto). La operación de modo Automático no se recomienda para las aplicaciones reversibles, por consiguiente, esta opción no está disponible para el circuito de alimentación R05.

### Mod J10: Contacto auxiliar para indicar la condición de disparo

#### Circuito de alimentación B05

La opción Mod J10 incluye un contacto forma A, normalmente abierto (N.A.) de 5 A en 120 V~ conectado en los bloques de terminales. El contacto cambia de estado cuando el controlador detecta una falla o se dispara.

#### Circuitos de alimentación S05, N05, R05 y Y05

La opción Mod J10 incluye un juego de contactos forma C, de 5 A en 120 V~ conectados en los bloques de terminales. Los contactos cambian de estado cuando el controlador detecta una falla o se dispara.

### Mod L10: Placas de datos grabadas del cliente

La opción Mod L10 ofrece placas de datos grabadas personalizadas para el controlador para identificar el equipo o el equipo que controla. La información grabada debe ser incluida al solicitar un pedido.

### Mod M10: Diez terminales sin conexión adicionales

La opción Mod M10 ofrece diez terminales de control sin conexión adicionales para conectar y servir de interfaz con el equipo instalado en campo. Las terminales son de 5 A en 250 V~.

### Mod P10: Marcadores de cable permanentes

La opción Mod P10 ofrece marcadores de cable de control con envoltura retráctil para identificar y solucionar problemas en los circuito de control.

### Mod R10: Protección contra sobretensiones transitorias

La opción Mod R10 incluye un dispositivo de protección contra sobretensiones transitorias suplemental para proteger el equipo contra sobretensiones transitorias con algunos sistemas de distribución eléctrica.

### Mod U10: Omitir terminal de programación y ajustes montada en la puerta

La opción Mod U10 omite la terminal de programación y ajustes montada en la puerta. Una placa de cierre y empaque vienen incluidos en la puerta. Consulte "Programación con la opción Omitir terminal de programación y ajustes (U10) o gabinete tipo 3R (UL) (H03)" en la página 77. Para programar o controlar el arrancador suave ATS22 a través del puerto de comunicación Modbus, consulte el *Manual de usuario del ATS22*, BBV51330.

### Mod X10: Funcionamiento en 50 °C

Con la opción Mod X10 es posible utilizar el equipo en entornos con temperaturas de más de 40 °C (104 °F) hasta un máximo de 50 °C (122 °F) sin degradación nominal.

**NOTA:** Los gabinetes tipo 3R (UL) (opción H03) normalmente son adecuados para funcionar en una temperatura nominal de hasta 50 °C.

### Mod Z10: Adecuado para entrada de acometida

La opción Mod Z10 proporciona un ensamble de zapata de neutro de tierra aislada, aprobado bajo la norma UL869A, y un soporte de montaje con un

conductor de puesta a tierra del gabinete adecuado para su uso como equipo de entrada de acometida. La opción de entrada de acometida no está disponible con la opción Mod E10 (etiqueta cUL).

### **Mod Y10: Aprobado para actividad sísmica**

La opción Mod Y10 incluye una etiqueta de certificación que indica que el gabinete es apropiado para actividad sísmica en conformidad con el protocolo de prueba para el criterio de aceptación AC156 con un factor de importancia de 1,5. Consulte “Criterio de montaje de conformidad con actividad sísmica” en la página 32.

### **Mod 610: Valor nominal de alta interrupción**

La opción Mod 610 proporciona un valor nominal de alta interrupción para los controladores 22 en gabinete tamaños E y G con desconexión por interruptor automático (22U). Las corrientes nominales de cortocircuito estándar son de 65 kA en 460 V y 25 kA en 575 V. La selección de estos valores nominales aumenta la corriente nominal de cortocircuito para 100 kA en 460 V o 50 kA en 575 V. La opción no es válida con los tipos de desconectador magnético solamente (22T) o fusibles (22F). Estos tipos de desconectador tienen, por omisión, valores nominales de alta interrupción.

### **Mod 910: Opción ARRA**

Seleccione la opción Mod 910 para cumplir con los requisitos de la ley de reinversión y recuperación estadounidense (ARRA) del 2009 (publicación Pub.L. 111-5). El equipo será ensamblado en los EUA.

Figura 43: Diagrama básico de control del circuito de alimentación B05 para la opción Mod A06 con botones de Arranque-Paro

ESPAÑOL

**NOTA:** Los diagramas básicos han sido incluidos para referencia solamente. La selección de los dispositivos piloto, opciones de control, medición y opciones varias pueden producir diferencias en el diagrama básico del circuito de control y en el funcionamiento. Siempre consulte la documentación incluida con el equipo para conocer las opciones específicas y modificaciones solicitadas. Consulte la página 104 para obtener información adicional.

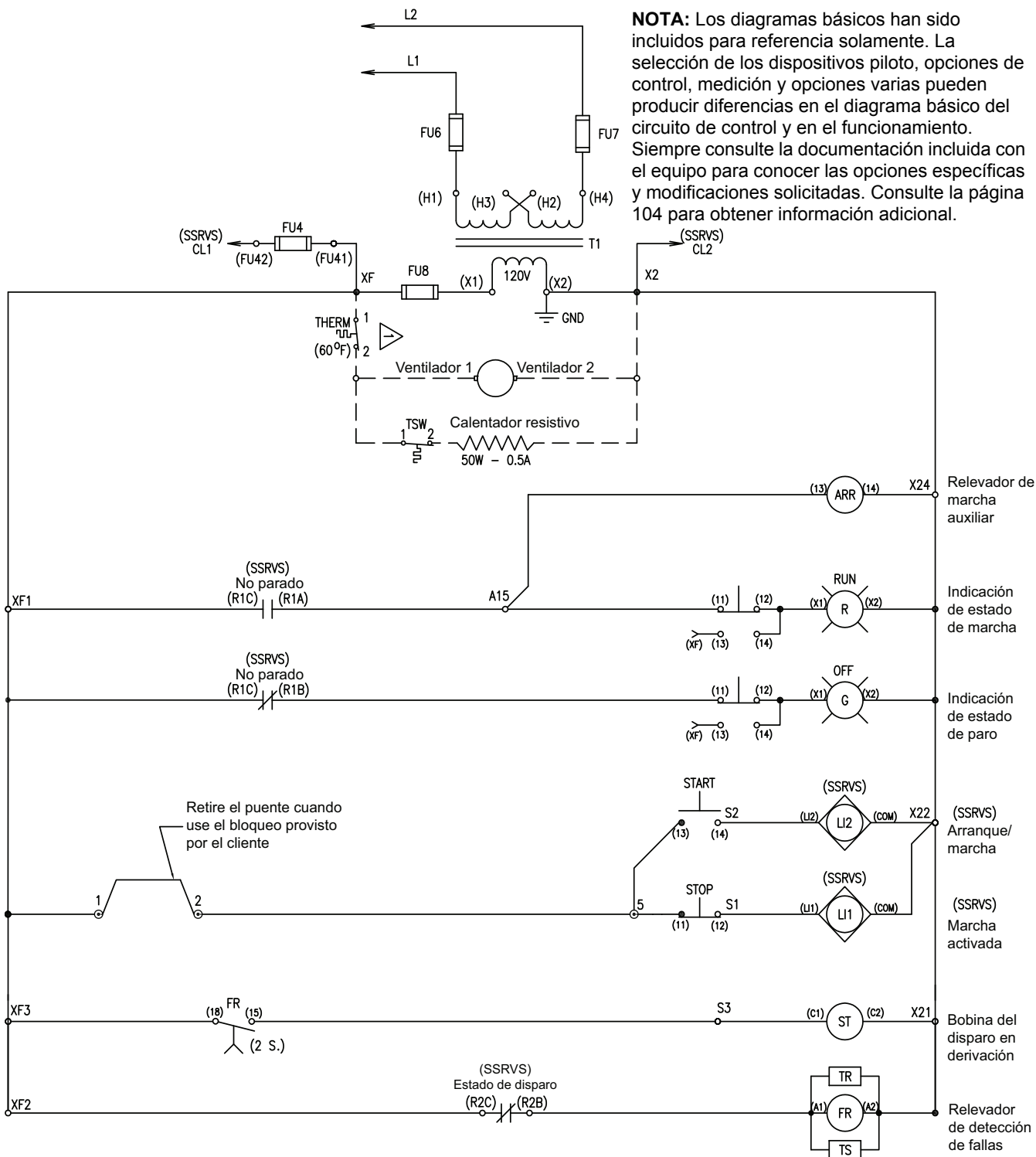
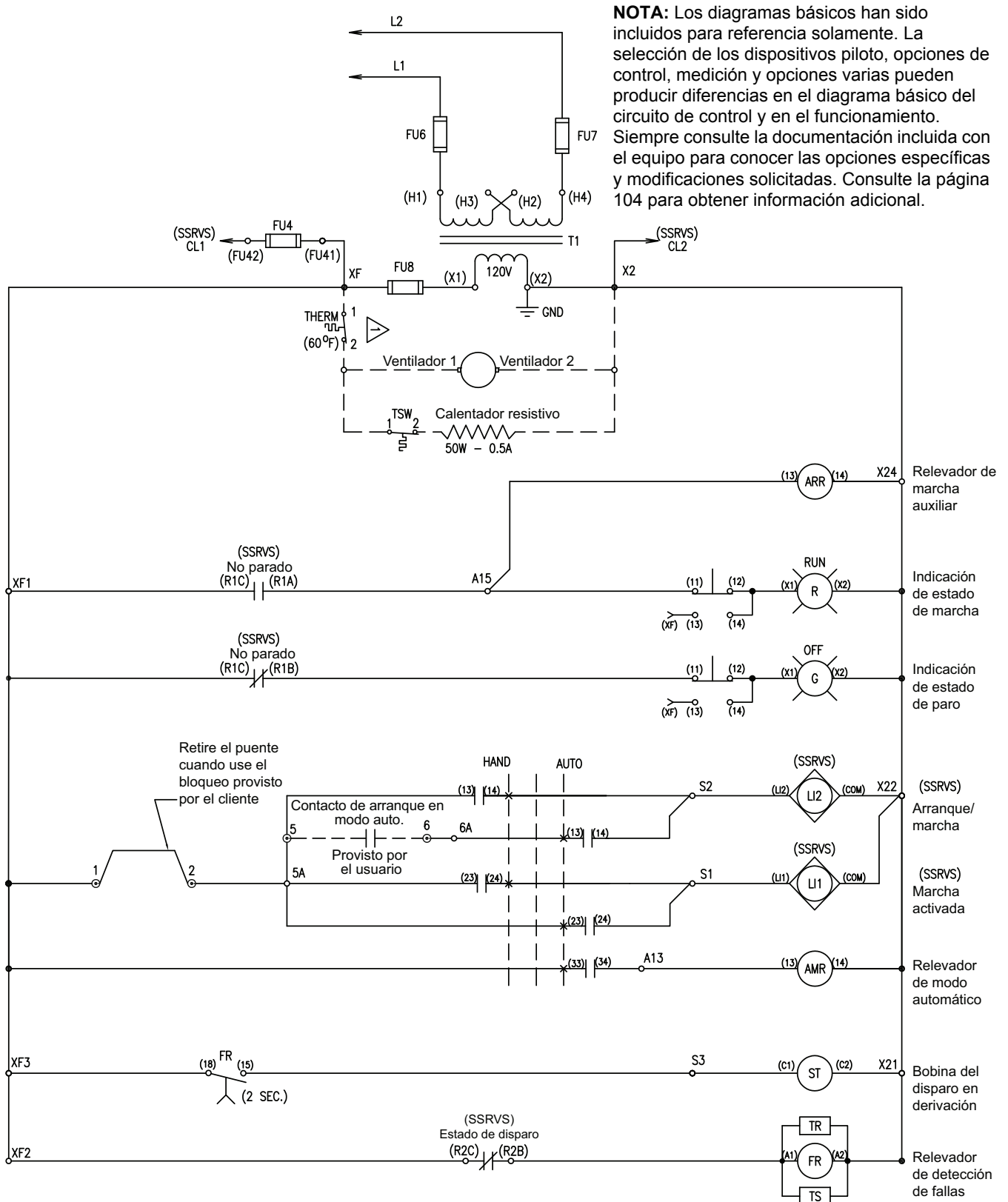




Figura 44: Diagrama básico de control del circuito de alimentación B05, Mod C06, interruptor selector Manual-Desconectado-Automático



ESPAÑOL

Figura 45: Diagrama básico de control del circuito de alimentación B05, Mod D06, interruptor selector de Paro-Marcha

**NOTA:** Los diagramas básicos han sido incluidos para referencia solamente. La selección de los dispositivos piloto, opciones de control, medición y opciones varias pueden producir diferencias en el diagrama básico del circuito de control y en el funcionamiento. Siempre consulte la documentación incluida con el equipo para conocer las opciones específicas y modificaciones solicitadas. Consulte la página 104 para obtener información adicional.

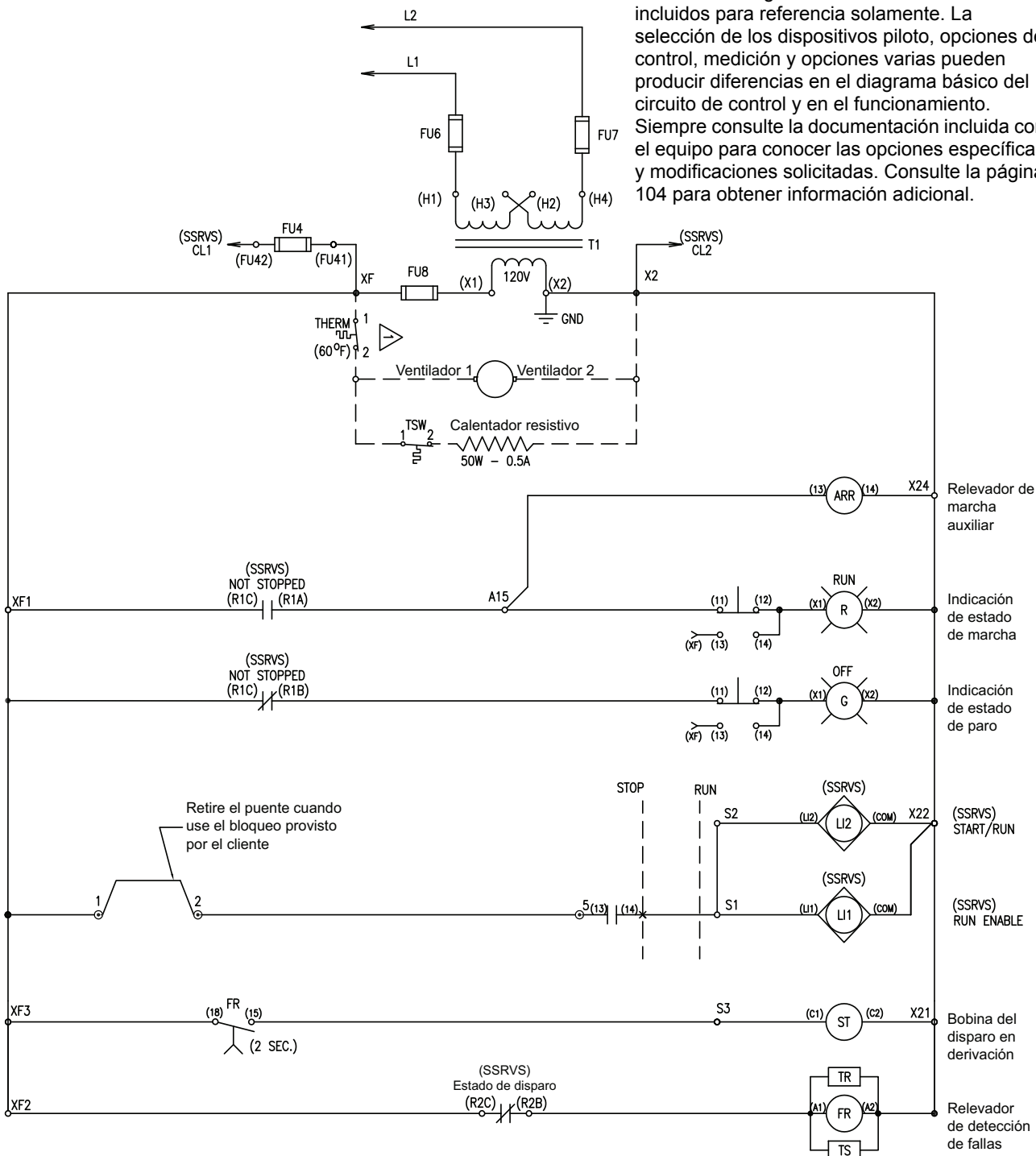
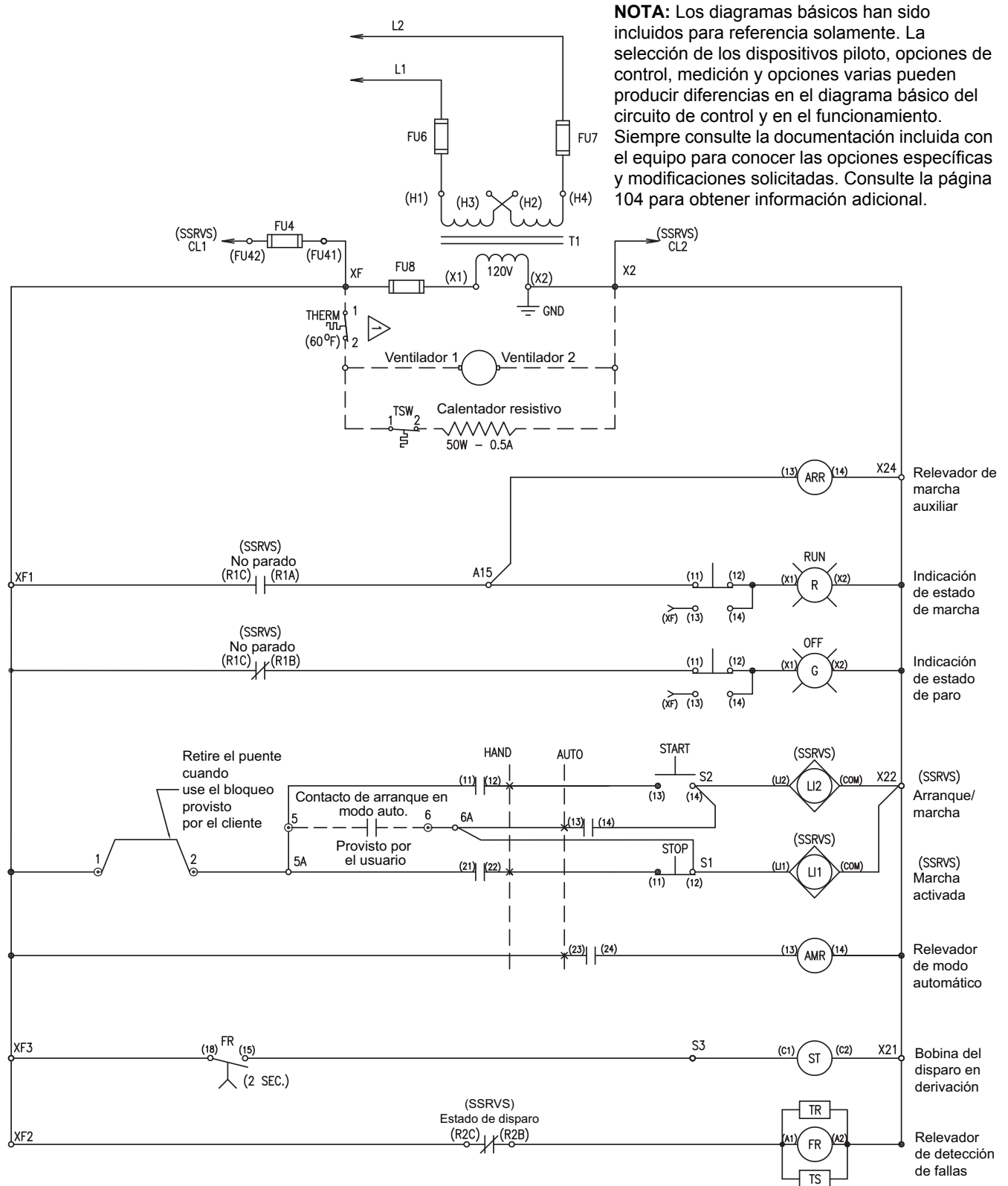


Figura 46: Diagrama básico de control del circuito de alimentación B05, Mod E06, interruptor selector Manual-Automático y botones de Arranque-Paro

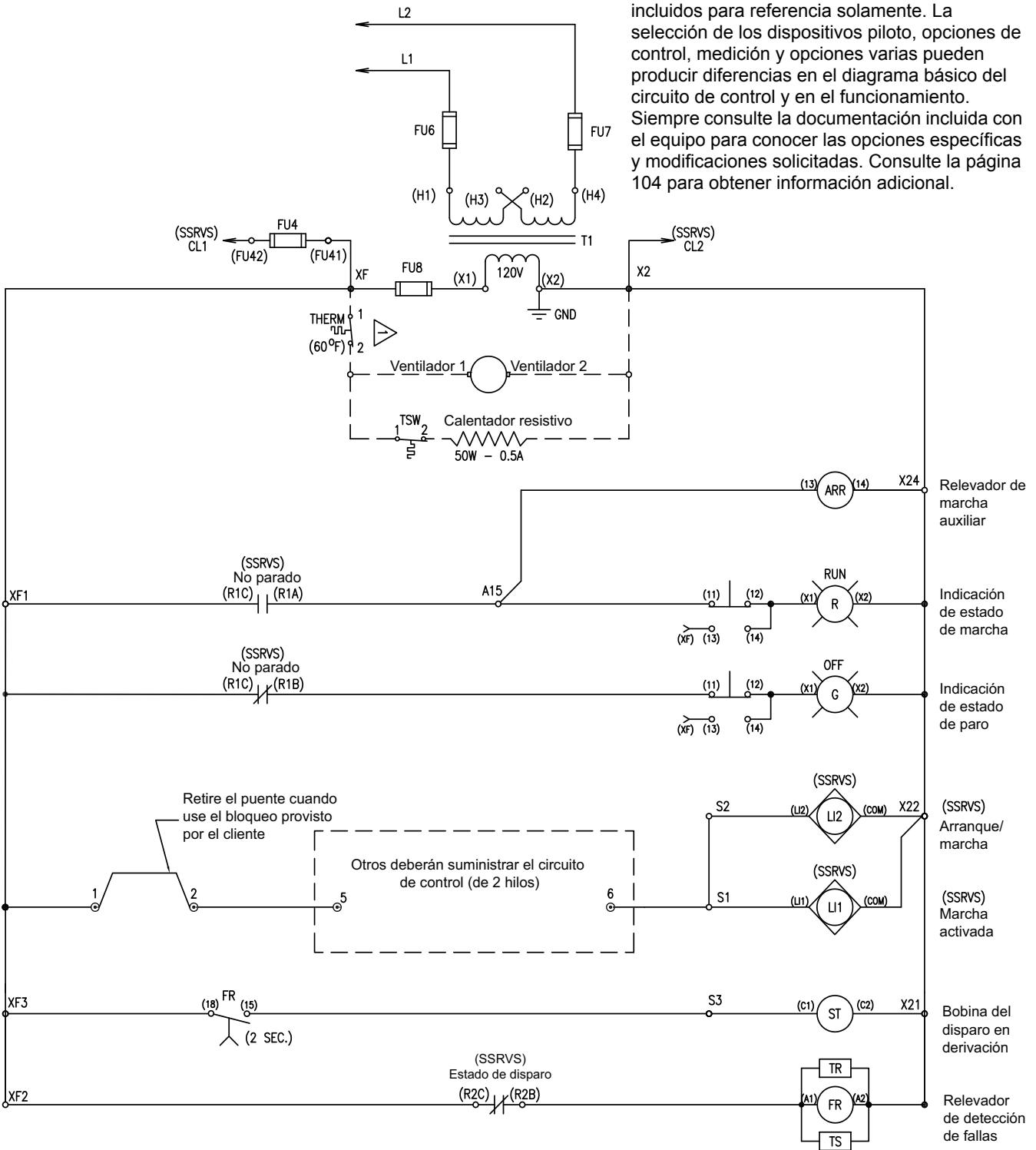


**NOTA:** Los diagramas básicos han sido incluidos para referencia solamente. La selección de los dispositivos piloto, opciones de control, medición y opciones varias pueden producir diferencias en el diagrama básico del circuito de control y en el funcionamiento. Siempre consulte la documentación incluida con el equipo para conocer las opciones específicas y modificaciones solicitadas. Consulte la página 104 para obtener información adicional.

ESPAÑOL

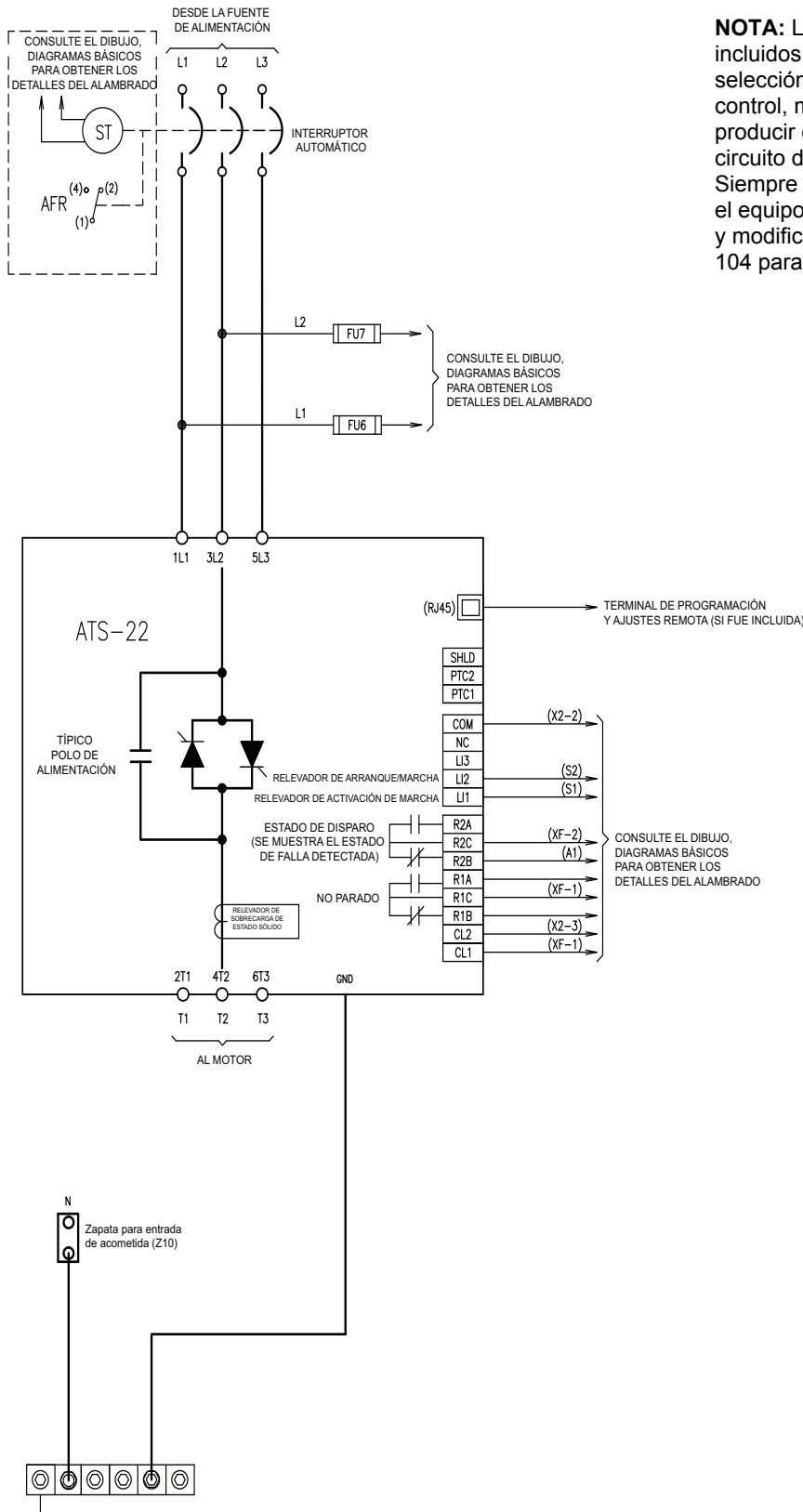
Figura 47: Diagrama básico de control del circuito de alimentación B05 sin operadores de control

**NOTA:** Los diagramas básicos han sido incluidos para referencia solamente. La selección de los dispositivos piloto, opciones de control, medición y opciones varias pueden producir diferencias en el diagrama básico del circuito de control y en el funcionamiento. Siempre consulte la documentación incluida con el equipo para conocer las opciones específicas y modificaciones solicitadas. Consulte la página 104 para obtener información adicional.



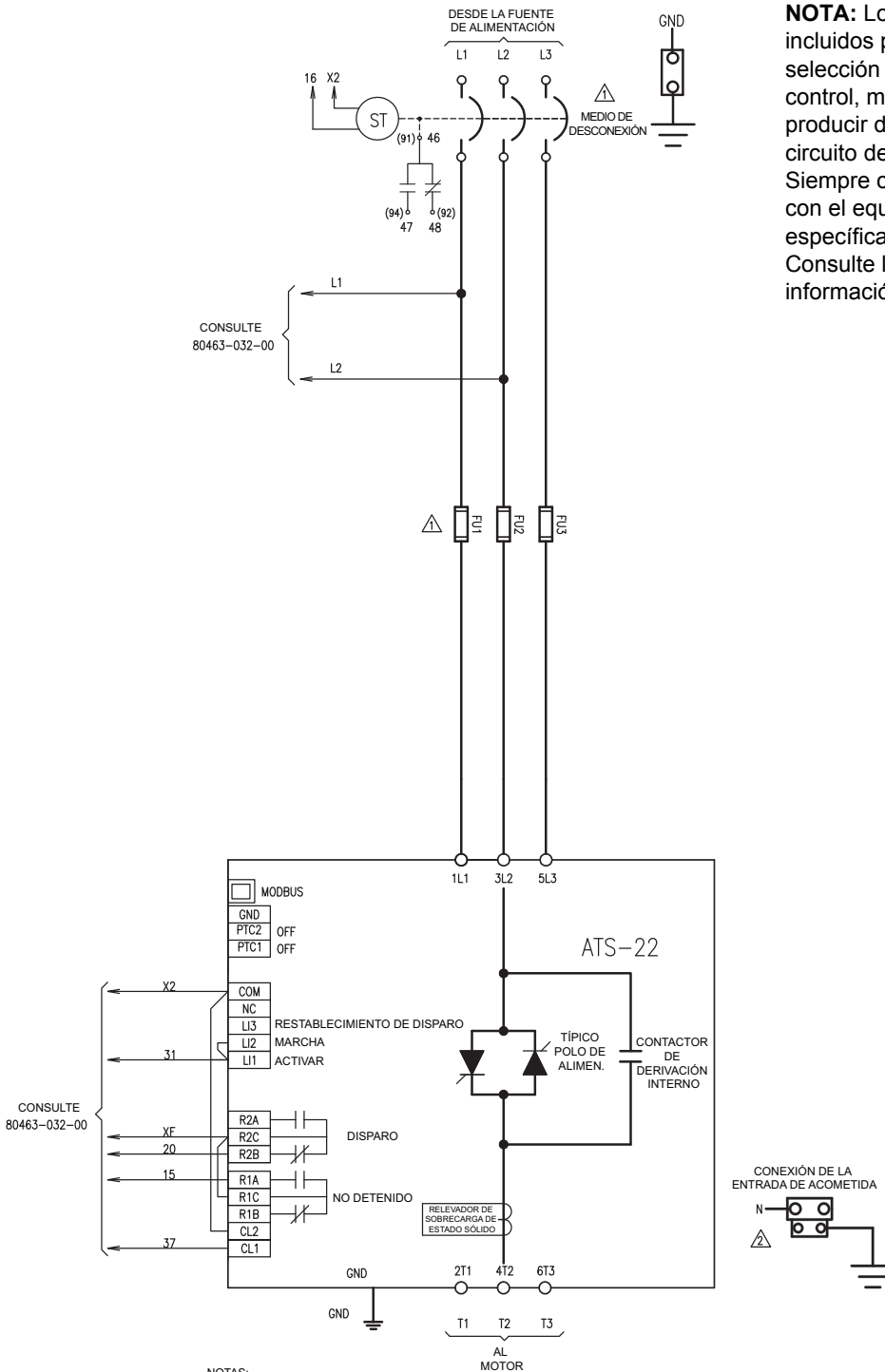
ESPAÑOL

Figura 48: Diagrama básico del circuito de alimentación B05



**NOTA:** Los diagramas básicos han sido incluidos para referencia solamente. La selección de los dispositivos piloto, opciones de control, medición y opciones varias pueden producir diferencias en el diagrama básico del circuito de control y en el funcionamiento. Siempre consulte la documentación incluida con el equipo para conocer las opciones específicas y modificaciones solicitadas. Consulte la página 104 para obtener información adicional.

Figura 49: Diagrama básico del circuito de alimentación S05



**NOTA:** Los diagramas básicos han sido incluidos para referencia solamente. La selección de los dispositivos piloto, opciones de control, medición y opciones varias pueden producir diferencias en el diagrama básico del circuito de control y en el funcionamiento. Siempre consulte la documentación incluida con el equipo para conocer las opciones específicas y modificaciones solicitadas. Consulte la página 104 para obtener información adicional.

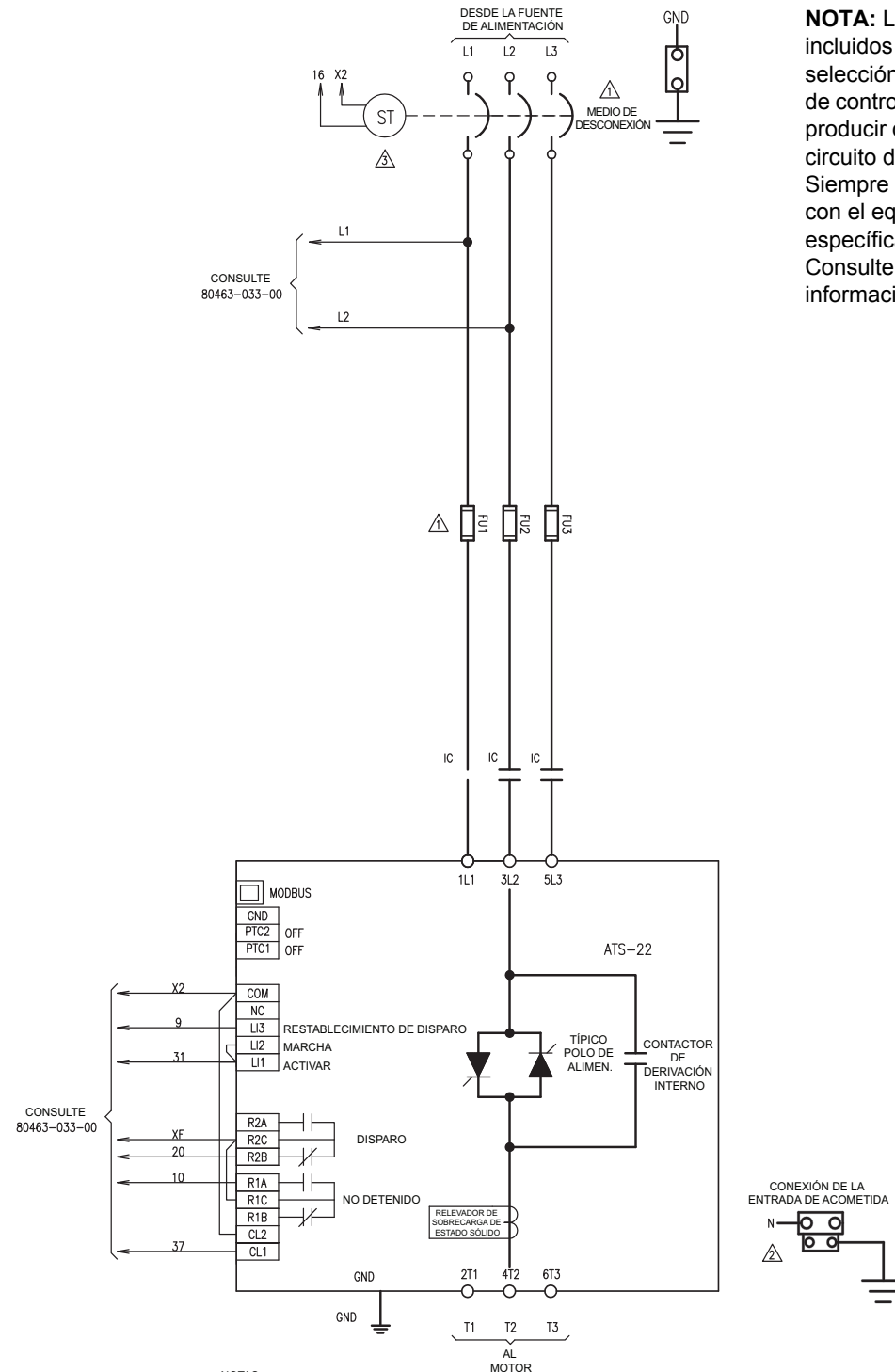
NOTAS:

⚠ SE MUESTRA UN DISPOSITIVO CLASE 8638. EL MEDIO DE DESCONEXIÓN ES UN SECCIONADOR DESCONECTADOR EN CAJA MOLDEADA Y FUSIBLES FU1, FU2 Y FU3 PROVISOS POR EL USUARIO. LOS PORTAFUSIBLES SON DE CLASE J.

PARA LOS DISPOSITIVOS CLASE 8639 EL MEDIO DE DESCONEXIÓN ES UN INTERRUPTOR AUTOMÁTICO Y EL PORTAFUSIBLES PARA FU1, FU2 Y FU3 NO VIENE INCLUIDO.

⚠ LA ENTRADA DE ACOMETIDA ES INCLUIDA CON LA OPCIÓN Z10.

Figura 50: Diagrama básico del circuito de alimentación N05



NOTAS:

⚠ SE MUESTRA UN DISPOSITIVO CLASE 8638. EL MEDIO DE DESCONEXIÓN ES UN SECCIONADOR DESCONECTADOR EN CAJA MOLDEADA Y FUSIBLES FU1, FU2 Y FU3 PROVISTOS POR EL USUARIO. LOS PORTAFUSIBLES SON DE CLASE J.

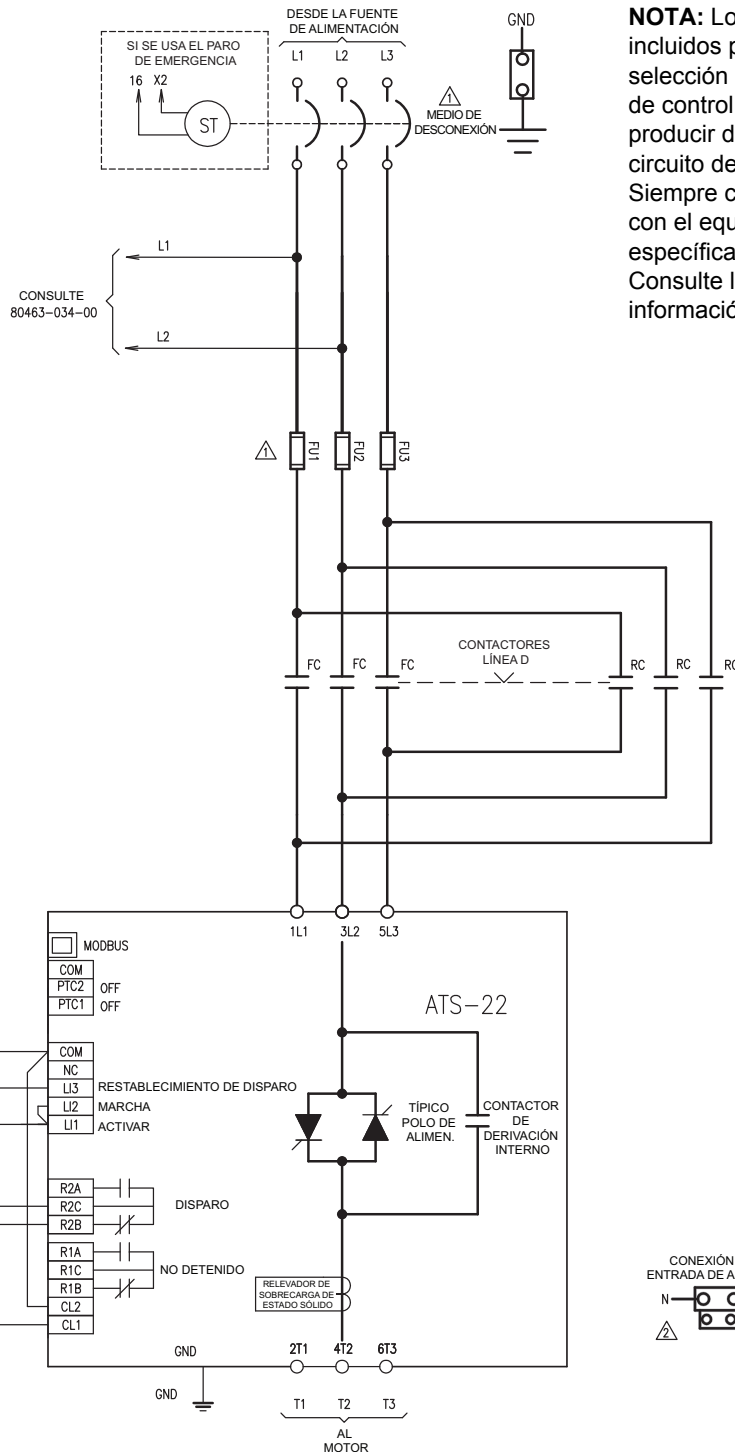
PARA LOS DISPOSITIVOS CLASE 8639 EL MEDIO DE DESCONEXIÓN ES UN INTERRUPTOR AUTOMÁTICO Y EL PORTAFUSIBLES PARA FU1, FU2 Y FU3 NO VIENE INCLUIDO.

⚠ LA ENTRADA DE ACOMETIDA ES INCLUIDA CON LA OPCIÓN Z10, LA ENTRADA DE ACOMETIDA SE SOLICITA MEDIANTE PEDIDO.

⚠ EL MÓDULO DE DISPARO EN DERIVACIÓN INSTALADO CON LA OPCIÓN D10, PARO DE EMERGENCIA, SE SOLICITA MEDIANTE PEDIDO.

**NOTA:** Los diagramas básicos han sido incluidos para referencia solamente. La selección de los dispositivos piloto, opciones de control, medición y opciones varias pueden producir diferencias en el diagrama básico del circuito de control y en el funcionamiento. Siempre consulte la documentación incluida con el equipo para conocer las opciones específicas y modificaciones solicitadas. Consulte la página 104 para obtener información adicional.

Figura 51: Diagrama básico del circuito de alimentación R05



**NOTA:** Los diagramas básicos han sido incluidos para referencia solamente. La selección de los dispositivos piloto, opciones de control, medición y opciones varias pueden producir diferencias en el diagrama básico del circuito de control y en el funcionamiento. Siempre consulte la documentación incluida con el equipo para conocer las opciones específicas y modificaciones solicitadas. Consulte la página 104 para obtener información adicional.

NOTAS:

SE MUESTRA UN DISPOSITIVO CLASE 8638. EL MEDIO DE DESCONEXIÓN ES UN SECCIONADOR DESCONECTOR EN CAJA MOLDEADA Y FUSIBLES FU1, FU2 Y FU3 PROVISTOS POR EL USUARIO. LOS PORTAFUSIBLES SON DE CLASE J.

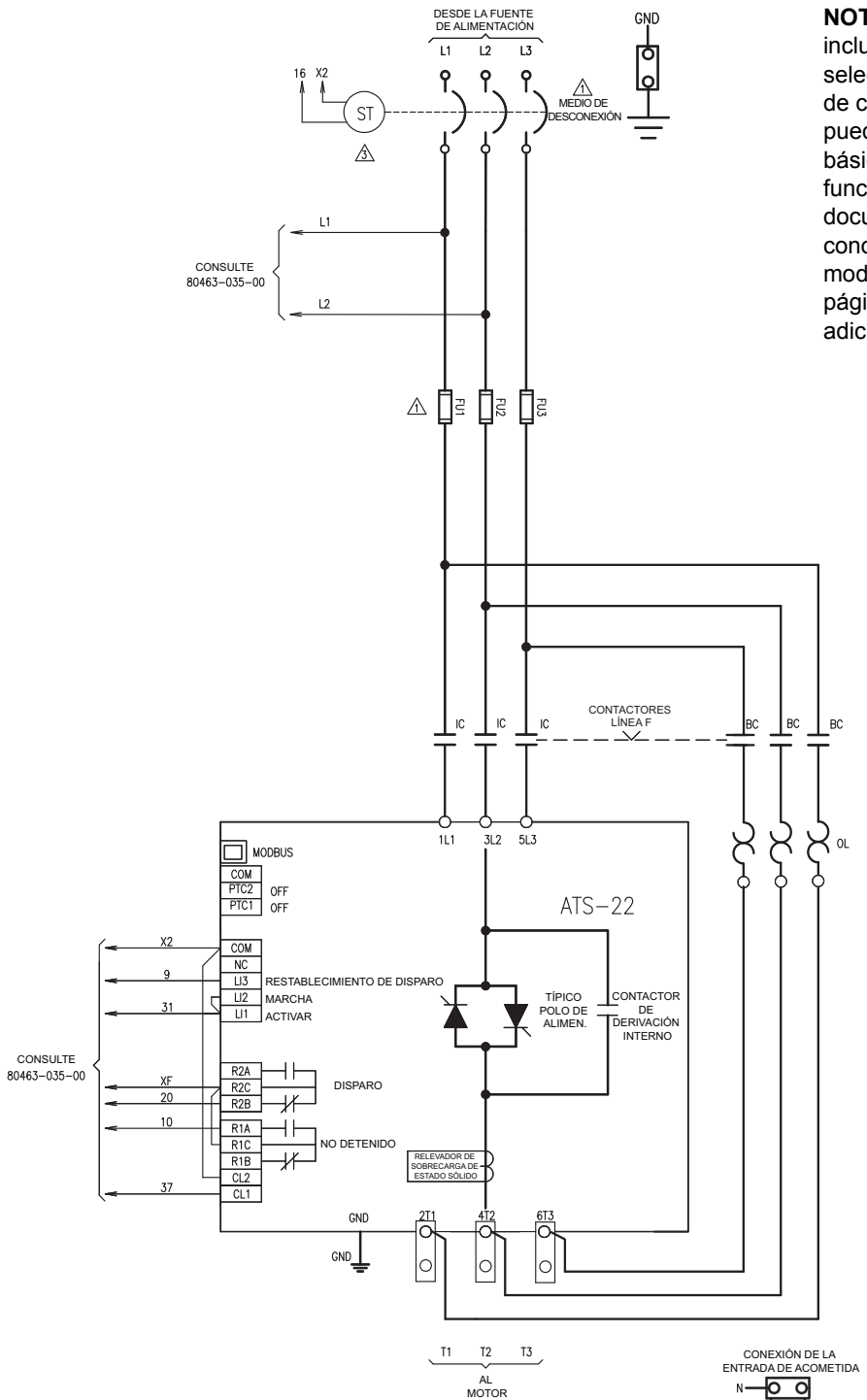
PARA LOS DISPOSITIVOS CLASE 8639 EL MEDIO DE DESCONEXIÓN ES UN INTERRUPTOR AUTOMÁTICO Y EL PORTAFUSIBLES PARA FU1, FU2 Y FU3 NO VIENE INCLUIDO.

LA ENTRADA DE ACOMETIDA ES INCLUIDA CON LA OPCIÓN Z10, LA ENTRADA DE ACOMETIDA SE SOLICITA MEDIANTE PEDIDO.

EL MÓDULO DE DISPARO EN DERIVACIÓN INSTALADO CON LA OPCIÓN D10, PARO DE EMERGENCIA, SE SOLICITA MEDIANTE PEDIDO.



Figura 52: Diagrama básico del circuito de alimentación Y05



**NOTA:** Los diagramas básicos han sido incluidos para referencia solamente. La selección de los dispositivos piloto, opciones de control, medición y opciones varias pueden producir diferencias en el diagrama básico del circuito de control y en el funcionamiento. Siempre consulte la documentación incluida con el equipo para conocer las opciones específicas y modificaciones solicitadas. Consulte la página 104 para obtener información adicional.

**NOTAS:**

- ⚠ SE MUESTRA UN DISPOSITIVO CLASE 9638. EL MEDIO DE DESCONEXIÓN ES UN SECCIONADOR DESCONECTADOR EN CAJA MOLDEADA Y FUSIBLES FU1, FU2 Y FU3 PROVISTOS POR EL USUARIO. LOS PORTAFUSIBLES SON DE CLASE J.
- ⚠ PARA LOS DISPOSITIVOS CLASE 8639 EL MEDIO DE DESCONEXIÓN ES UN INTERRUPTOR AUTOMÁTICO Y EL PORTAFUSIBLES PARA FU1, FU2 Y FU3 NO VIENE INCLUIDO.
- ⚠ LA ENTRADA DE ACOMETIDA ES INCLUIDA CON LA OPCIÓN Z10, LA ENTRADA DE ACOMETIDA SE SOLICITA MEDIANTE PEDIDO.
- ⚠ EL MÓDULO DE DISPARO EN DERIVACIÓN INSTALADO CON LA OPCIÓN D10, PARO DE EMERGENCIA, SE SOLICITA MEDIANTE PEDIDO.

ESPAÑOL

## Diagramas eléctricos diseñados bajo pedido

Para obtener información específica sobre los diagramas de alambrado y opciones incluida de los circuitos de alimentación S05, N05, R05 y Y05, consulte la documentación incluida con el controlador. Los diagramas de circuitos de alimentación provistos en este manual son para su uso como referencia solamente.

Póngase en contacto con la fábrica para obtener ejemplares adicionales de la documentación para las opciones de diseño bajo pedido. Consulte la sección “Asistencia técnica” en la página 107.

## Sección 5—Servicio de mantenimiento

### Precauciones

Antes de sustituir cualquier pieza en el controlador 22 en gabinete, lea y observe todos los mensajes de seguridad aquí y en todo el boletín.

#### **⚠ PELIGRO**

##### **PELIGRO DE DESCARGA ELÉCTRICA, EXPLOSIÓN O DESTELLO POR ARQUEO**

- Asegúrese de leer y entender este boletín de instrucciones antes de instalar o hacer funcionar el controlador 22 en gabinete. La instalación, ajustes, reparaciones y servicios de mantenimiento deberán ser realizados por personal especializado.
- El usuario es responsable de cumplir con todos los requisitos de las normas eléctricas nacionales y locales en vigor referentes a la puesta a tierra de todo el equipo.
- Varias piezas de este controlador, inclusive las tarjetas de circuito impreso, funcionan bajo tensión de línea. **NO LAS TOQUE.** Use sólo herramientas con aislamiento eléctrico.
- Algunas terminales están bajo tensión aún cuando el desconectador ha sido abierto.
- Antes de prestar servicio de mantenimiento al controlador:
  - Desconecte toda la alimentación incluyendo la alimentación de control externa que pudiese estar presente antes de prestar servicio al controlador.
  - Coloque la etiqueta “NO ENERGIZAR” en el desconectador.
  - Bloquee el desconectador en la posición de abierto.
- Instale y cierre todas las cubiertas y puertas antes de aplicar corriente eléctrica o de arrancar y parar el controlador.

**El incumplimiento de estas instrucciones podrá causar la muerte o lesiones serias.**

#### **⚠ PELIGRO**

##### **PELIGRO DE DESCARGA ELÉCTRICA, EXPLOSIÓN O DESTELLO POR ARQUEO**

- Utilice equipo de protección personal (EPP) apropiado y siga las prácticas de seguridad en trabajos eléctricos establecidas por su Compañía, consulte la norma 70E de NFPA y NOM-029-STPS.
- Solamente el personal eléctrico especializado deberá instalar y prestar servicio de mantenimiento a este equipo.
- Desenergice el equipo antes de realizar cualquier trabajo en él.
- Siempre utilice un dispositivo detector de tensión nominal adecuado para confirmar la desenergización del equipo.
- Vuelva a colocar todos los dispositivos, las puertas y las cubiertas antes de energizar este equipo.

**El incumplimiento de estas instrucciones podrá causar la muerte o lesiones serias.**

## **⚠ ADVERTENCIA**

### **PÉRDIDA DE CONTROL**

- El diseñador de un plan de control deberá tener en cuenta los modos potenciales de fallas en las trayectorias de control y, para ciertas funciones de control críticas, deberá proporcionar un medio para alcanzar un estado seguro durante y después de una falla en la trayectoria. Un paro de emergencia y un paro por sobrecarrera son ejemplos de funciones de control críticas.
- Deberán proporcionarse trayectorias de control independientes o redundantes para las funciones de control críticas.
- Las trayectorias de control del sistema pueden incluir enlaces de comunicación. Deberán tenerse en cuenta las implicaciones de fallas o retardos de transmisión anticipados del enlace<sup>1</sup>.
- Cada controlador 22 en gabinete deberá ser probado individualmente y asegurarse de que funciona correctamente antes de ponerlo en funcionamiento.

**El incumplimiento de estas instrucciones puede causar la muerte, lesiones serias o daño al equipo.**

<sup>1</sup> Para obtener información adicional, consulte la publicación NEMA ICS 1.1 (última edición), "Procedimientos de seguridad sobre la aplicación, instalación y mantenimiento de control de estado sólido".

## **⚠ PRECAUCIÓN**

### **TENSIÓN DE LÍNEA INCOMPATIBLE**

Antes de energizar y configurar el controlador, asegúrese de que la tensión de línea sea compatible con la gama de tensión especificada en la placa de datos. La tensión de línea incompatible puede causar daño al equipo.

**El incumplimiento de estas instrucciones puede causar lesiones personales o daño al equipo.**

## Indicaciones externas de daño

He aquí algunas indicaciones de daño externo:

- Cubiertas o piezas del gabinete cuarteadas, carbonizadas o dañadas
- Daños a la terminal de programación y ajustes tales como rayaduras, perforaciones, manchas de quemado, quemaduras químicas o humedad en la pantalla
- Temperaturas excesivas en la superficie de los gabinetes y tubo conduit
- Daño a los conductores de control o alimentación
- Ruido u olores extraños provenientes de cualquier parte del equipo
- Temperatura, humedad o vibraciones anormales

Si observa alguna indicación de daño en el exterior mientras está energizando el equipo, de inmediato informe al personal de operaciones y evalúe el riesgo de dejar el sistema energizado. Antes de desenergizar el equipo, consulte siempre con el personal técnico responsable de la maquinaria y de los procesos.

## Códigos de diagnóstico

La terminal de programación y ajustes muestra un número de códigos de diagnóstico y estado para indicar las funciones del circuito protector y de funcionamiento del controlador así como indicaciones para asistencia con el servicio de mantenimiento y diagnóstico de problemas. Consulte la hoja de diagnóstico de problemas en la página 108.

## Asistencia técnica

Al realizar cualquier procedimiento de diagnóstico o solución de problemas al controlador 22 en gabinete, reporte cualquier problema al personal técnico encargado del equipo. Describa el problema, cuándo lo observó por primera vez y dónde lo notó.

Observe el sistema y los procesos. Anote los datos de la placa de datos del motor y equipo periférico en la hoja de diagnósticos y solución de problemas del controlador 22 en gabinete en la página 108. Haga duplicados de este formulario a medida que sea necesario.

Para obtener asistencia técnica, póngase en contacto con el Grupo de asistencia técnica de los variadores de velocidad. Este Grupo de asistencia se encuentra a su disposición desde las 8:00 hasta las 18:00 horas, hora del este de los EUA y de 08:00 a 20:00 horas tiempo del centro para México, de lunes a viernes, para asistirle en la selección de productos, preguntas con respecto al arranque y diagnóstico del producto o problemas de aplicación. También encontrará asistencia telefónica de emergencia a su disposición las 24 horas del día, los 365 días del año.

Llame gratuitamente al	1-888-778-2733 (en EUA) o al 01-800-724-634-337 (en México)
Correo electrónico	drive.products.support@us.schneider-electric.com o a asesoria.tecnica@mx.schneider-electric.com (en México)
Fax	919-217-6508

## Hoja de diagnósticos y solución de problemas del controlador 22 en gabinete

Al solicitar servicio después de la venta, es importante informar todas las condiciones bajo las cuales funciona actualmente. Esto ayudará en el diagnóstico del sistema más rápidamente. **Póngase en contacto con el Grupo de asistencia técnica del producto llamando al 1-888-778-2733 (en EUA) o bien al 01-800-724-634-337 (en México)**

FECHA: \_\_\_\_\_  
 NOMBRE DEL ENCARGADO: \_\_\_\_\_  
 COMPAÑÍA: \_\_\_\_\_  
 DIRECCIÓN: \_\_\_\_\_  
 CIUDAD: \_\_\_\_\_  
 ESTADO: \_\_\_\_\_  
 TELÉFONO: \_\_\_\_\_  
 FAX: \_\_\_\_\_

### CONFIGURACIÓN DEL CONTROLADOR

NÚMERO DE CATÁLOGO: \_\_\_\_\_  
 DESIGNACIÓN DE APLICACIÓN/EQUIPO: \_\_\_\_\_

### INFORMACIÓN EN LA PLACA DE DATOS DEL MOTOR

POTENCIA EN CABALLOS DE FUERZA: \_\_\_\_\_ TENSIÓN (3 FASES): \_\_\_\_\_ FRECUENCIA: \_\_\_\_\_ POLOS: \_\_\_\_\_ FLA: \_\_\_\_\_  
 FACTOR DE SERVICIO: \_\_\_\_\_ AISLAMIENTO DEL MOTOR :  NUEVO O  EXISTENTE  
 TIPO DE CABLE DEL MOTOR : \_\_\_\_\_ LONGITUD EN PIES: \_\_\_\_\_  
 EL MOTOR HA SIDO DISEÑADO PARA CUMPLIR CON LOS PROCEDIMIENTOS DE LA NORMA NEMA MG-1 PARTE 31?  SÍ  NO

### FUENTE DE ALIMENTACIÓN Y ENTORNO

TENSIÓN ENTRE: L1 Y L2: \_\_\_\_\_ L2 Y L3: \_\_\_\_\_ L3 Y L1: \_\_\_\_\_  
 VALOR NOMINAL DEL TRANSFORMADOR DE ACOMETIDA: \_\_\_\_\_ KVA \_\_\_\_\_ % FRECUENCIA Z:  60 HZ O  50 HZ  
 TEMPERATURA AMBIENTE: MÍN °C (°F) \_\_\_\_\_ MÁX °C (°F) \_\_\_\_\_ HUMEDAD: \_\_\_\_\_  
 ALTITUD SI ES MAYOR QUE 1 006 METROS (3 300 PIES) POR ENCIMA DEL NIVEL DEL MAR, ESPECIFIQUE: \_\_\_\_\_ METROS (PIES)

### CÓDIGOS DE FALLA DETECTADA DEL CONTROLADOR

<input type="checkbox"/> <i>b P F</i> FALLA DETECTADA EN EL CONTACTOR EN DERIVACIÓN	<input type="checkbox"/> <i>C F F</i> CONFIGURACIÓN NO VÁLIDA DURANTE LA ENERGIZACIÓN	<input type="checkbox"/> <i>E E F</i> FALLA EXTERNA DETECTADA	<input type="checkbox"/> <i>G r d F</i> FALLA DE CORRIENTE DE FUGA A TIERRA DETECTADA
<input type="checkbox"/> <i>I n F</i> FALLA INTERNA DETECTADA	<input type="checkbox"/> <i>O C F</i> SOBRECORRIENTE DEL MOTOR	<input type="checkbox"/> <i>O H F</i> FALLA DE SOBRECALENTAMIENTO DETECTADA	<input type="checkbox"/> <i>O L F</i> SOBRECARGA DEL MOTOR
<input type="checkbox"/> <i>O S F</i> SOBRETENSIÓN	<input type="checkbox"/> <i>O E F</i> TEMPERATURA EXCESIVA DEL MOTOR	<input type="checkbox"/> <i>P H b d</i> DESEQUILIBRIO DE FASE	<input type="checkbox"/> <i>P H F</i> PÉRDIDA DE FASE DE LÍNEA
<input type="checkbox"/> <i>P I F</i> INVERSIÓN DE FASES	<input type="checkbox"/> <i>t r A P</i> CÓDIGO DE TRAMPA	<input type="checkbox"/> <i>S C F</i> CORTOCIRCUITO	<input type="checkbox"/> <i>S L F</i> TEMPORIZACIÓN DE MODBUS
<input type="checkbox"/> <i>S n b F</i> DEMASIADOS ARRANQUES	<input type="checkbox"/> <i>S S C r</i> TIRISTOR CORTOCIRCUITADO / CONEXIÓN EQUIVOCADA	<input type="checkbox"/> <i>S t F</i> FALLA DE TIEMPO DE ARRANQUE DETECTADA	<input type="checkbox"/> <i>t b S</i> DEMASIADOS ARRANQUES
<input type="checkbox"/> <i>U C F</i> BAJA CORRIENTE DEL MOTOR	<input type="checkbox"/> <i>U S F</i> BAJA TENSIÓN O NO TENSIÓN		

### DESCRIPCIÓN DETALLADA DEL PROBLEMA

## Sustitución del ventilador del ATS22

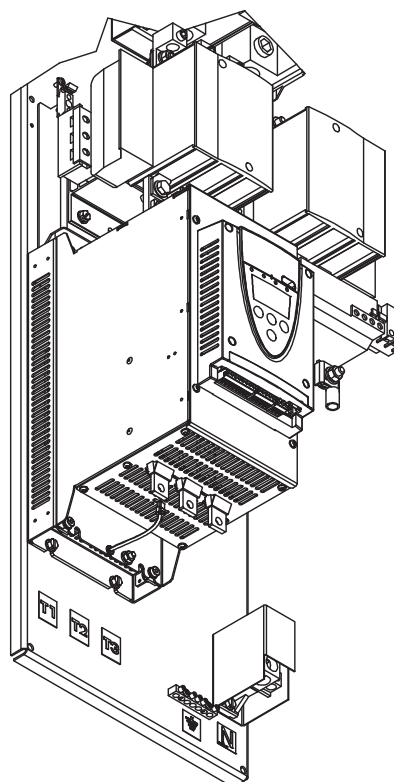
El ventilador de enfriamiento del disipador de calor del arrancador suave, incluido con algunos modelos de ATS22, puede requerir mantenimiento o sustitución después de un uso prolongado. Si el ventilador de enfriamiento deja de funcionar, solicite un ventilador de repuesto (VW3G22U402) de Schneider Electric.

**Tabla 32: Controladores 22 en gabinete con ventiladores de enfriamiento sustituibles en el arrancador suave**

Tensión	Tipo 1 (UL)	Tipo 12 (UL)	Tipo 3R (UL)
208	863822FKG... (50 hp)	863822FKA2... (50 hp)	863822FJH2... (40 hp)
230	863822FLG3... (60 hp)	863822FLA3... (60 hp)	863822FKH3... (50 hp)
460	863822FPG4... (125 hp)	863822FPA4... (125 hp)	863822FNH4... (100 hp)
575	863822FQG5... (150 hp)	863822FQA5... (150 hp)	863822FPH5... (125 hp)

El ventilador de enfriamiento del arrancador suave ATS22 viene montado directamente detrás del arrancador suave. Consulte la figura 53 y siga el procedimiento descrito en esta sección para sustituir el ventilador de enfriamiento.

**Figura 53: Arrancador suave ATS22**



1. Antes de sustituir cualquier pieza en el controlador 22 en gabinete, lea y observe todos los mensajes de seguridad en la página 105.
2. Desenergice el controlador y siga los procedimientos de bloqueo / etiquetado.
3. Abra la puerta del gabinete y revise el equipo para determinar si hay evidencia de calentamiento u otro daño. Si el equipo parece estar

- dañado, descontinúe su uso y póngase en contacto con el grupo de asistencia del producto de Schneider Electric. De lo contrario, continúe con el paso 4.
4. Retire el cable de la alimentación de control que conecta el arrancador suave al ventilador.
  5. Afloje y retire los conductores que suministran alimentación a los lados de línea y carga del arrancador suave.
  6. Retire las terminales desprendibles de la alimentación de control situadas en la parte frontal del arrancador suave.
  7. Afloje y extraiga los tornillos de montaje que sujetan la base del arrancador suave al ventilador de enfriamiento. Conserve los tornillos.
  8. Desmonte el arrancador suave del gabinete. Tenga cuidado de no perturbar otros cables de la alimentación de control.
  9. Afloje y extraiga los tornillos de montaje de 1/4-20 x 0,5 que sujetan la base del ventilador de enfriamiento a la base de montaje. Retire el ventilador y conserve los tornillos de montaje.
  10. Instale el ventilador de enfriamiento del arrancador suave VW3G22402 en la base de montaje, empleando los tornillos de montaje que retiró en el paso 9. Apriete los tornillos de 6,8 a 8,1 N•m (60 a 72 lbs-pulg).
  11. Monte y sujete el arrancador suave, empleando los tornillos de montaje que retiró en el paso 7. Apriete los tornillos en 3,5 N•m (31 lbs-pulg).
  12. Vuelva a colocar los conductores de la alimentación en el arrancador suave y apriételos según las especificaciones en el manual del usuario ATS22, BBV51330.
  13. Vuelva a colocar las terminales de control en la parte frontal del arrancador suave.
  14. Conecte el cable de la alimentación de control situado en la parte inferior del arrancador suave que lo conecta al ventilador.
  15. Cierre y sujete todas las puertas y cubiertas antes de volver a poner el equipo en servicio.

## Piezas de repuesto

Schneider Electric proporciona una cantidad limitada de piezas de repuesto para el arrancador suave Altistart 22 y el controlador 22 en gabinete. Antes de sustituir cualquier pieza, póngase en contacto con su representante local de ventas. Las piezas de repuesto deben ser instaladas por personal técnico calificado.

**Tabla 33: Arrancadores suaves**

Tipos 1 o 12 hp	Tipo 3R y funcion. en 50 °C (122 °F) hp	208 V	230 V	460 V	575 V
3	3	ATS22D17S6U	—	—	—
5	—	ATS22D32S6U	ATS22D17S6U	—	—
7,5	5	ATS22D32S6U	ATS22D32S6U	—	—
10	7,5	ATS22D47S6U	ATS22D32S6U	ATS22D17S6U	—
—	10	ATS22D47S6U	ATS22D47S6U	ATS22D32S6U	—
15	—	ATS22D62S6U	ATS22D47S6U	ATS22D32S6U	ATS22D17S6U
20	15	ATS22D75S6U	ATS22D62S6U	ATS22D32S6U	ATS22D32S6U
25	20	ATS22D88S6U	ATS22D75S6U	ATS22D47S6U	ATS22D32S6U

*Continúa en la siguiente página*



**Tabla 33: Arrancadores suaves (continuación)**

Tipos 1 o 12 hp	Tipo 3R y funcion. en 50 °C (122 °F) hp	208 V	230 V	460 V	575 V
		30	25	ATS22C11S6U	ATS22D88S6U
40	30	ATS22C14S6U	ATS22C11S6U	ATS22D62S6U	ATS22D47S6U
50	40	ATS22C17S6U	ATS22C14S6U	ATS22D75S6U	ATS22D62S6U
60	50	ATS22C21S6U	ATS22C17S6U	ATS22D88S6U	ATS22D75S6U
75	60	ATS22C25S6U	ATS22C21S6U	ATS22C11S6U	ATS22D88S6U
100	75	ATS22C32S6U	ATS22C25S6U	ATS22C14S6U	ATS22C11S6U
125	100	ATS22C41S6U	ATS22C32S6U	ATS22C17S6U	ATS22C14S6U
150	125	ATS22C48S6U	ATS22C41S6U	—	ATS22C17S6U
200	150	—	ATS22C59S6U	ATS22C21S6U	ATS22C21S6U
250	200	—	—	ATS22C32S6U	ATS22C25S6U
300	250	—	—	ATS22C41S6U	ATS22C32S6U
350	300	—	—	ATS22C48S6U	ATS22C41S6U
400	350	—	—	ATS22C59S6U	ATS22C48S6U
500	400	—	—	—	ATS22C59S6U

**Tabla 34: Fusibles para el primario del transformador de control (FU6, FU7): Circuito de alimentación B05**

Gabinetes tamaño	208 V	230 V	460 V	575 V
<b>Tipo 1 o tipo 12</b>				
A o B	25430-20113 (1,125 A)	25430-20100 (1,0 A)	25430-20050 (0,5 A)	25430-20040 (0,4 A)
D o E	25430-20225 (2,25 A)	25430-20200 (2,0 A)	25430-20100 (1,0 A)	25430-20080 (0,8 A)
<b>Tipo 3R</b>				
A o B	25430-20350 (3,5 A)	25430-20321 (3,2 A)	25430-20161 (1,6 A)	25430-20113 (1,125 A)
D o E	25430-20400 (4,0 A)	25430-20400 (4,0 A)	25430-20200 (2,0 A)	25430-20150 (1,5 A)

**Table 35: Fusibles para el primario del transformador de control (FU6, FU7): Circuito de alimentación S05, N05, R05, Y05 sin la opción B10**

Tipo 1 o tipo 12	Tipo 3R	208 V	230 V	460 V	575 V
B	—	25430-20225 (2,25 A)	25430-20200 (2,0 A)	25430-20100 (1,0 A)	25430-20061 (0,6 A)
C	B o C	25430-20350 (3,5 A)	25430-20300 (3,0 A)	25430-20150 (1,5 A)	25430-20113 (1,125 A)
D o F	D	25430-20600 (6,0 A)	25430-20500 (5,0 A)	25430-20250 (2,5 A)	25430-20200 (2,0 A)
—	F	25430-20600 (6,0 A)	25430-20600 (6,0 A)	25430-20300 (3,0 A)	25430-20250 (2,5 A)
G	G	25430-20800 (8,0 A)	25430-20750 (7,5 A)	25430-20350 (3,5 A)	25430-20250 (2,5 A)

**Tabla 36: Fusibles para el primario del transformador de control (FU6, FU7): Cualquier circuito de alimentación con la opción B10**

Gabinetes tamaño	208 V	230 V	460 V	575 V
B o D	25430-20625 (6,25 A)	25430-20600 (6,0 A)	25430-20321 (3,2 A)	25430-20250 (2,5 A)
D	25430-20800 (8,0 A)	25430-20600 (8,0 A)	25430-20500 (5,0 A)	25430-20321 (3,2 A)
F	25430-20800 (8,0 A)	25430-20600 (8,0 A)	25430-20500 (5,0 A)	25430-20400 (4,0 A)
G	25430-20800 (8,0 A)	25430-20800 (8,0 A)	25430-20500 (5,0 A)	25430-20400 (4,0 A)

**Tabla 37: Fusible para el secundario del transformador de control**

Gabinetes tamaño	Circuito de alimentación B05 sin la opción B10	Circuito de alimentación S05, N05, R05 o Y05 sin la opción B10	Cualquier circuito de alimentación con la opción B10
<b>Tipo 1 o tipo 12</b>			
A o B	25430-20061 (0,6 A)	25430-20130 (1,3 A)	25430-20400 (4,0 A)
C	—	25430-20200 (2,0 A)	25430-20400 (4,0 A)
D	25430-20130 (1,3 A)	25430-20350 (3,5 A)	25430-20625 (6,25 A)
E	25430-20130 (1,3 A)	—	—
F	—	25430-20321 (3,2 A)	25430-20625 (6,25 A)
G	—	25430-20500 (5,0 A)	25430-20625 (6,25 A)
<b>Tipo 3R</b>			
A, B o C	25430-20200	25430-20200	25430-20400
D	25430-20250	25430-20350	25430-20625 (6,25 A)
E	25430-20250	—	—
F	—	25430-20400	25430-20625 (6,25 A)
G	—	25430-20500	25430-20625 (6,25 A)

**Tabla 38: Fusible de la alimentación de control del arrancador suave (FU4)**

Enclosure Size	Power Circuit B05	Power Circuit S05, N05, R05, or Y05
A, B o C	25430-20050 (0,5 A)	25430-20050 (0,5 A)
D	25430-20126 (1,2 A)	25430-20050 (0,5 A)
E	25430-20161 (1,6 A)	—
F	—	25430-20126 (1,2 A)
G	—	25430-20161 (1,6 A)

**Tabla 39: Ventilador de agitación para hacer circular el aire del calentador (tipo 3R [UL] solamente)**

Todos	26016-31001
-------	-------------

**Tabla 40: Ventilador de enfriamiento del disipador de calor (si fue provisto)<sup>1</sup>**

Tensión	Tipo 1 (UL) o tipo 12 (UL) hp	Tipo 3R (UL) o para funcionamiento en 50 °C (122°F) hp	Número de catálogo
208	50	40	VW3G22U402
230	60	50	
460	125	100	
575	150	125	

<sup>1</sup> Un ventilador de enfriamiento del disipador de calor es incluido para los valores nominales de la alimentación especificados anteriormente cuando el equipo viene con un desconector fusible (controlador estilo 22F).

**Tabla 41: Calentador para la condensación (tipo 3R solamente)**

Todos	HUA22191
-------	----------

**Tabla 42: Fusibles de alimentación provistos por Schneider Electric para su uso con los controladores 22 en gabinete con seccionador desconector fusible (22F) <sup>1</sup>**

hp	208 V	230 V	460 V	575 V
3	25423-30150	—	—	—
5	25423-30250	25423-30300	—	—
7,5	25423-30400	25423-30350	—	—
10	25423-30500	25423-30450	25423-30200	—
15	25423-30800	25423-30700	25423-30350	25423-30250
20	25423-31000	25423-30900	25423-30450	25423-30350
25	25423-31250	25423-31100	25423-30600	25423-30450
30	25423-31500	25423-31250	25423-30700	25423-30500
40	25423-32000	25423-31750	25423-30900	25423-30700
50	25423-32500	25423-32250	25423-31100	25423-30900
60	25423-32500	25423-32500	25423-31250	25423-31000
75	25423-33500	25423-33000	25423-31500	25423-31250
100	25423-34500	25423-34000	25423-32000	25423-31500
125	25423-36000	25423-35000	25423-32500	25423-32000
150	25423-36000	25423-36000	25423-33000	25423-32500
200	—	25423-36000	25423-34000	25423-33000
250	—	—	25423-35000	25423-34000
300	—	—	25423-36000	25423-35000
350	—	—	25423-36000	25423-35000
400	—	—	25423-36000	25423-36000
500	—	—	—	25423-36000

<sup>1</sup> Para incluir los fusibles con el equipo durante el envío, póngase en contacto con la fábrica.

**Tabla 43: Fusibles de alimentación provistos por Schneider Electric para su uso con los controladores 22 en gabinete con seccionador desconectador fusible (22F) <sup>1</sup>**

hp	208 V	230 V	460 V	575 V
3	25423-30150	—	—	—
5	25423-30250	25423-30300	—	—
7,5	25423-30400	25423-30350	—	—
10	25423-30500	25423-30450	25423-30200	—
15	25423-30800	25423-30700	25423-30350	25423-30250
20	25423-31000	25423-30900	25423-30450	25423-30350
25	25423-31250	25423-31100	25423-30600	25423-30450
30	25423-31500	25423-31250	25423-30700	25423-30500
40	25423-32000	25423-31750	25423-30900	25423-30700
50	25423-32500	25423-32250	25423-31100	25423-30900
60	—	25423-32500	25423-31250	25423-31000
75	—	—	25423-31500	25423-31250
100	—	—	25423-32000	25423-31500
125	—	—	25423-32500	25423-32000
150	—	—	—	25423-32500

<sup>1</sup> Para incluir los fusibles con el equipo durante el envío, póngase en contacto con la fábrica.



**Importado en México por:**  
**Schneider Electric México, S.A. de C.V.**  
Calz. J. Rojo Gómez 1121-A  
Col. Gpe. del Moral 09300 México, D.F.  
Tel.: 55-5804-5000  
[www.schneider-electric.com.mx](http://www.schneider-electric.com.mx)

Altistart™, PowerPact™, Modbus™ y Schneider Electric™ son marcas comerciales o marcas registradas de Schneider Electric. Cualquier otra marca comercial utilizada en este documento pertenece a sus respectivos propietarios.

Solamente el personal especializado deberá instalar, hacer funcionar y prestar servicios de mantenimiento al equipo eléctrico. Schneider Electric no asume responsabilidad alguna por las consecuencias emergentes de la utilización de este material.

30072-453-26 Rev. 03, 12/2012 Sustituye al 30072-453-26 Rev. 02, 08/2011  
© 2012 Schneider Electric Reservados todos los derechos

# Altistart<sup>MC</sup> 22 sous coffret

## Contrôleur de moteur combiné transistorisé à tension réduite

Directives d'utilisation

30072-453-26

Rév. 03, 12/2012

À conserver pour usage ultérieur.



FRANÇAIS



by Schneider Electric





	Catégories de dangers et symboles spéciaux .....	6
<b>SECTION 1:</b>	<b>INTRODUCTION ET CARACTÉRISTIQUES TECHNIQUES .....</b>	<b>7</b>
	Présentation du produit .....	7
	Caractéristiques standard .....	7
	À propos de ce document .....	7
	Terminologie .....	8
	Avant de commencer .....	8
	Plaque signalétique .....	10
	Description du numéro de catalogue .....	10
	Caractéristiques techniques .....	13
	Courant nominal de court-circuit .....	17
	Spécifications techniques .....	18
<b>SECTION 2:</b>	<b>RÉCEPTION, MANUTENTION ET ENTREPOSAGE .....</b>	<b>21</b>
	Réception et inspection préliminaire .....	21
	Entreposage de l'appareil .....	21
	Déballage du contrôleur .....	22
	Unités à montage mural .....	22
	Unités à montage au sol .....	22
	Levage du contrôleur .....	23
	Contrôleurs à montage mural .....	23
	Contrôleurs à montage au sol .....	23
	Positionnement du contrôleur .....	25
<b>SECTION 3:</b>	<b>INSTALLATION ET MISE EN SERVICE .....</b>	<b>27</b>
	Installation physique .....	27
	Exigences de montage .....	27
	Armoires tailles A, B, C et D .....	27
	Armoires tailles E, F et G .....	28
	Exigences d'espacement .....	29
	Profilé de montage EZM .....	30
	Critères de montage pour la qualification sismique .....	32
	Poids .....	34
	Centre de gravité .....	36
	Installation du kit de montage au sol en option (MOD A10) .....	39
	Dimensions .....	41
	Installation électrique .....	52
	Méthodes générales de câblage .....	52
	Câblage d'entrée .....	52
	Mise à la terre .....	53
	Câblage de sortie .....	53
	Acheminement des fils et interconnexion .....	54
	Classe de fil .....	54
	Classification EMI .....	54
	Classe de tension .....	54
	Méthodes de câblage .....	58
	Emplacement des composants .....	60
	Câblage d'alimentation .....	65
	Câblage de contrôle .....	71
	Déclencheur shunt (B05) .....	71
	Déclencheur shunt (S05) et autres options de circuit d'alimentation (N05, R05, Y05) .....	72
	Procédure initiale de mise en service .....	73
	Réglages d'usine du démarreur progressif ATS22 .....	77
	Programmation avec l'option omettre le terminal d'exploitation (U10) ou l'option d'armoire UL type 3R (H03) .....	77

	Réglage du déclenchement du protecteur des circuits du moteur	
	PowerPact Type 22T .....	80
	Type 22U .....	81
	Recommandations de fusibles d'alimentation, type 22F .....	83
	Réglage du relais de surcharge .....	84
<b>SECTION 4:</b>	<b>DESCRIPTIONS DES CIRCUITS</b> .....	<b>87</b>
	Précautions .....	87
	Circuit d'alimentation B : Déclencheur shunt de base .....	87
	Circuit d'alimentation S : Déclencheur shunt de fonctions complètes .....	87
	Circuit d'alimentation N : Isolement non-inverseur .....	88
	Circuit d'alimentation R : Fonctionnement réversible .....	88
	Circuit d'alimentation Y : Isolation avec contournement pleine tension intégré .....	88
	Fonctionnement UL type 3R .....	89
	Options de contrôle .....	89
	Mod A06 : Boutons-poussoirs de démarrage-arrêt .....	89
	Mod B06 : Sélecteur avant-arrêt-arrière .....	89
	Mod C06 : Sélecteur, manuel-arrêt-auto .....	89
	Mod D06 : Sélecteur arrêt-marche .....	89
	Mod E06 : Sélecteur, manuel-auto et boutons-poussoirs de démarrage-arrêt .....	90
	Pas d'opérateurs de contrôle .....	90
	Options de groupes de lampes-témoins .....	90
	Mod A07 : Groupe de lampes-témoins n° 1 .....	90
	Mod B07 : Groupe de lampes-témoins n° 2 .....	90
	Mod C07 : Groupe de lampes-témoins n° 3 .....	90
	Mod D07 : Groupe de lampes-témoins n°4 .....	90
	Pas de lampes-témoins .....	90
	Options de mesure .....	91
	Mod B08 : Compteur de temps de fonctionnement écoulé .....	91
	Options diverses .....	91
	Mod A10 : Kit de montage au sol .....	91
	Mod B10 : Alimentation de contrôle de 150 VA .....	91
	Mod C10 : Retard de l'activation à la mise sous tension .....	91
	Mod D10 : Bouton-poussoir d'arrêt d'urgence .....	91
	Mod E10 : Étiquette cUL .....	91
	Mod F10 : Contact auxiliaire pour l'indication du mode marche .....	91
	Circuit d'alimentation B05 .....	91
	Circuit d'alimentation S05, N05, R05 et Y05 .....	91
	Mod G10 : Contact auxiliaire pour l'indication de marche du contournement .....	91
	Mod H10 : Contact auxiliaire pour l'indication du mode auto .....	91
	Circuit d'alimentation B05 .....	92
	Circuit d'alimentation S05, N05 et Y05 .....	92
	Mod J10 : Contact auxiliaire pour l'indication d'une condition de déclenchement .....	92
	Circuit d'alimentation B05 .....	92
	Circuit d'alimentation S05, N05, R05 et Y05 .....	92
	Mod L10 : Plaques signalétiques gravées par le client .....	92
	Mod M10 : Dix bornes supplémentaires non câblées .....	92
	Mod P10 : Marqueurs de câbles permanents .....	92
	Mod R10 : Protection contre les surtensions transitoires .....	92
	Mod U10 : Omission d'un terminal d'exploitation monté sur la porte ...	92
	Mod X10 : Fonctionnement à 50 °C .....	92
	Mod Z10 : Entrée de service .....	93
	Mod Y10 : Qualifié anti-séisme .....	93
	Mod 610 : Valeur nominale d'interruption élevée .....	93

---

	Mod 910 : Option ARRA .....	93
	Schémas électriques produits sur commande .....	104
<b>SECTION 5: ENTRETIEN</b>	.....	105
	Précautions .....	105
	Signes externes de dommages.....	107
	Codes de diagnostic.....	107
	Assistance technique .....	107
	Fiche de dépannage du contrôleur 22 sous coffret .....	108
	Remplacement du ventilateur du ATS22 .....	109
	Pièces remplaçables .....	110

FRANÇAIS

## Catégories de dangers et symboles spéciaux



Lisez soigneusement ces directives et examinez l'appareillage afin de vous familiariser avec lui avant son installation, son fonctionnement ou son entretien. Les messages spéciaux qui suivent peuvent apparaître dans ce document ou sur l'appareillage. Ils vous avertissent de dangers potentiels ou attirent votre attention sur des renseignements pouvant éclaircir ou simplifier une procédure.

L'ajout de l'un ou l'autre des symboles à une étiquette de sécurité « Danger » ou « Avertissement » vous indique qu'un danger électrique existe et qu'il pourra y avoir des blessures corporelles si les directives ne sont pas suivies.

Ceci est le symbole d'une alerte de sécurité. Il sert à vous avertir d'un danger potentiel de blessures corporelles. Respectez toutes les consignes de sécurité accompagnant ce symbole pour éviter toute situation potentielle de blessure ou de mort.

### **⚠ DANGER**

**DANGER** indique une situation de danger qui, si elle n'est pas évitée, **entraînera** la mort ou des blessures graves.

### **⚠ AVERTISSEMENT**

**AVERTISSEMENT** indique une situation de danger qui, si elle n'est pas évitée, **peut entraîner** la mort ou des blessures graves.

### **⚠ ATTENTION**

**ATTENTION** indique une situation de danger qui, si elle n'est pas évitée, **peut entraîner** des blessures mineures ou modérées.

### **AVIS**

**AVIS** est utilisé pour commenter des pratiques sans rapport avec les blessures physiques. Le symbole d'alerte de sécurité n'est pas employé avec ce mot de signalement.

**REMARQUE** : Fournit des renseignements complémentaires pour clarifier ou simplifier une procédure.

**REMARQUE** : Seul un personnel qualifié doit effectuer l'installation, l'utilisation, l'entretien et la maintenance du matériel électrique. Schneider Electric n'assume aucune responsabilité des conséquences éventuelles découlant de l'utilisation de cette documentation.

## Veillez noter

## Section 1—Introduction et caractéristiques techniques

### Présentation du produit

Les contrôleurs de moteurs combinés transistorisés Altistart<sup>MC</sup> 22 (ATS22) sous coffret sont une solution précalculée et intégrée pour un démarrage et un arrêt progressif sous tension réduite de moteurs à induction standard (à cage d'écurieil) asynchrones triphasés. Les contrôleurs 22 sous coffret comprennent un sectionneur, des contacteurs de circuit d'alimentation en option pour les manœuvres d'isolement, de contournement et d'inversion, et un démarreur progressif ATS22 sous coffret autonome. Les contrôleurs 22 sous coffret sont munis de la technologie à démarrage progressif ATS22 sous forme d'un ensemble combiné pour des exigences d'applications allant jusqu'à 500 HP à 575 V.

Le contrôleur 22 sous coffret offre les avantages de l'appel de courant réduit (et de baisse de tension qui en résulte) et de chocs mécaniques réduits qui peuvent résulter d'un démarrage de moteur sur la ligne. Une configuration d'alimentation transistorisée à six thyristors (SCR) fournit un contrôle d'accélération et de décélération en douceur des moteurs à cage d'écurieil triphasés. Les algorithmes de contrôle sont intégrés afin d'assurer une rotation douce sur toute la rampe de démarrage sans instabilité mécanique à la fin du démarrage. Le démarreur progressif ATS22 comporte également un contacteur de court-circuit intégré pour réduire les pertes opérationnelles d'un moteur en régime permanent.

### Caractéristiques standard

Les caractéristiques standard des contrôleurs 22 sous coffret sont les suivantes :

- Démarreur progressif sous coffret, milieu de gamme
- Conception économique, compacte, avec un contacteur de court-circuit intégré
- Mise en service facile
- Protection totale du démarreur et du moteur
- Configurations adaptables des circuits d'alimentation
- Courant nominal de court-circuit coordonné de 100 kA à 208 V, 240 V et 480 V et de 50 kA à 600 V avec disjoncteurs et de 100 kA à 208 V et 600 V avec fusibles classe J
- Classifications des coffrets UL type 1, 12/12K et 3R et commande de moteur combinée inscrite UL (UL 508)
- Option d'entrée de service
- Démarrage à distance automatique

### À propos de ce document

Ce document contient les directives d'installation, de mise en service et d'entretien du contrôleur 22 sous coffret. La documentation suivante est également disponible dans la bibliothèque technique à [www.schneider-electric.us](http://www.schneider-electric.us) :

- *Guide de l'utilisateur du ATS22*, BBV51330
- *Guide de démarrage rapide du ATS22*, S1A10388 et *annexe pour les marchés UL508*, S1A14738
- *CD-ROM du ATS22*, VW3A8200
- *Manutention, installation, fonctionnement et entretien de l'équipement électrique de contrôle*, Directives d'utilisation 30072-200-50

Pour remplacer des documents, contacter le bureau de service local Schneider Electric ou les télécharger de la bibliothèque technique (Technical Library) à [www.schneider-electric.us](http://www.schneider-electric.us).

## Terminologie

La terminologie suivante est utilisée dans ces directives d'utilisation afin de faire la distinction entre le contrôleur 22 sous coffret et le démarreur progressif ATS22 :

- Le contrôleur 22 sous coffret, ou contrôleur, se réfère à la combinaison du démarreur progressif ATS22, d'un coffret et des circuits d'alimentation et de contrôle qui constituent le contrôleur de moteur 22 sous coffret combiné.
- Le démarreur progressif ATS22, ou démarreur progressif, se réfère aux contrôleurs de moteurs transistorisés à tension réduite ATS22 utilisés comme composant dans un contrôleur 22 sous coffret. Le démarreur progressif ATS22 est décrit dans le *Guide de l'utilisateur ATS22*, BBV51330.
- Le contacteur de court-circuit concerne les contacteurs internes du démarreur progressif ATS22. Le contacteur de court-circuit se ferme pendant un fonctionnement à plein régime afin de réduire les pertes en fonctionnement au régime permanent.
- Le démarreur de contournement ou de contournement intégré, se réfère au démarreur pleine tension combiné intégré, optionnel, dans le contrôleur ATS22 sous coffret (option de circuit d'alimentation Y05). Quand il est fourni, le démarreur de contournement intégré peut être utilisé pour le démarrage et le fonctionnement du moteur au cas peu probable où le démarreur progressif ATS22 ne fonctionnerait plus.

## Avant de commencer

Lire et observer ces précautions avant d'effectuer toute procédure avec ce contrôleur.

### **⚠ DANGER**

#### **RISQUE D'ÉLECTROCUTION, D'EXPLOSION OU D'ÉCLAIR D'ARC**

- Lisez et comprenez ces directives avant d'installer et de faire fonctionner le contrôleur 22 sous coffret. L'installation, le réglage, les réparations et l'entretien doivent être effectués exclusivement par du personnel qualifié.
- L'utilisateur est responsable de la conformité avec tous les codes électriques nationaux et locaux en vigueur concernant la mise à la terre de tous les appareils.
- De nombreuses pièces de ce contrôleur, y compris les cartes de circuits imprimés, fonctionnent à la tension du réseau. **NE TOUCHEZ PAS.** N'utilisez que des outils dotés d'une isolation électrique.
- Quelques bornes peuvent avoir de la tension lorsque le sectionneur est ouvert.
- Avant tout entretien ou réparation sur le contrôleur :
  - Coupez toutes les alimentations y compris l'alimentation de contrôle externe pouvant être présente.
  - Placez une étiquette « NE METTEZ PAS SOUS TENSION » sur tous les sectionneurs de l'alimentation.
  - Verrouillez les sectionneurs en position ouverte.
- Installez et fermez tous les couvercles avant de mettre le contrôleur sous tension, de le mettre en marche ou de l'arrêter.

**Si ces directives ne sont pas respectées, cela entraînera la mort ou des blessures graves.**

## **⚠ DANGER**

### **RISQUE D'ÉLECTROCUTION, D'EXPLOSION OU D'ÉCLAIR D'ARC**

- Portez un équipement de protection personnelle (ÉPP) approprié et observez les méthodes de travail électrique sécuritaire. Voir NFPA 70E.
- Seul un personnel qualifié doit effectuer l'installation et l'entretien de cet appareil.
- Coupez toutes les alimentations de l'appareil avant d'y travailler.
- Utilisez toujours un dispositif de détection de tension à valeur nominale appropriée pour vous assurer que l'alimentation est coupée.
- Remplacez tous les dispositifs, les portes et les couvercles avant de mettre l'appareil sous tension.

**Si ces directives ne sont pas respectées, cela entraînera la mort ou des blessures graves.**

## **⚠ AVERTISSEMENT**

### **PERTE DE CONTRÔLE**

- Le concepteur des schémas de contrôle doit tenir compte les problèmes potentiels dans les chemins de contrôle et, pour certaines fonctions de contrôle critiques, fournir un moyen d'obtenir un état sécuritaire pendant et après la défaillance d'un chemin. Des exemples de fonctions de contrôle critiques sont l'arrêt de secours et l'arrêt sur surcourse.
- Des chemins de contrôle séparés ou redondants doivent être fournis pour les fonctions de contrôle critiques.
- Les chemins de contrôle du système peuvent inclure des liaisons de communication. Il faut tenir compte des implications des retards ou des pannes de transmission anticipés de la liaison.<sup>1</sup>
- Chaque contrôleur 22 sous coffret doit être essayé individuellement et attentivement pour assurer son bon fonctionnement avant sa mise en service.

**Si ces directives ne sont pas respectées, cela peut entraîner la mort, des blessures graves ou des dommages matériels.**

<sup>1</sup> Pour obtenir des informations supplémentaires, se reporter à NEMA ICS 1.1 (dernière édition), Safety Guidelines for the Application, Installation, and Maintenance of Solid State Control (Directives de sécurité pour l'application, l'installation et l'entretien d'un contrôle transistorisé).

## **⚠ ATTENTION**

### **TENSION DE LIGNE INCOMPATIBLE**

Avant de mettre sous tension et de configurer le contrôleur, assurez-vous que la tension du réseau est compatible avec la gamme de tension d'alimentation indiquée sur la plaque signalétique du contrôleur. Le contrôleur pourrait être endommagé si la tension du réseau n'est pas compatible.

**Si ces directives ne sont pas respectées, cela peut entraîner des blessures ou des dommages matériels.**

## Plaque signalétique

La plaque signalétique pour le contrôleur 22 sous coffret est à l'intérieur de la porte de l'armoire. Voir la figure 1. La plaque signalétique identifie le type de contrôleur et les options de modification. Lors de l'identification ou de la description du contrôleur 22 sous coffret, utiliser les données de cette plaque signalétique.

Figure 1 : Exemple de plaque signalétique

**ENCLOSED 22**  
Combination Motor Controller

by **SCHNEIDER Electric** LISTED A159

**CATALOG NUMBER** 863922UDG4BA06A07  
NUMERO DE CATALOGO / NUMERO DE CATALOGUE

**SERIES** A  
SERIES / SERIES / SERIES

**AMBIENT TEMP** 40C  
TEMP AMBIENTE / TEMP AMBIANTE

**VOLTS** 460 (+ 10 %/-15%)  
**PHASE / FASE / PHASE** 3  
**Hz** 60

**MAX AMPS** 14  
A. MAX

**SHORT CIRCUIT CURRENT RATING (SCCR), RMS, SYMMETRICAL** 100 KA  
CORRIENTE NOMINAL DE CORTOCIRCUITO (SCCR) SIMETRICOS RCM / COURANT NOMINAL DE COURT-CIRCUIT (SCCR) RMS, SYMETRIQUES

**FUSE CLASS / CLASE DE FUSIBLE / CLASSE DE FUSIBLE** -

**HP / KW** 10 / 7.5

**ENCLOSURE / GABINETE / ARMOIRE** 12K  
**WIRE TYPE AND TEMPI / TIPO Y TEMP DE CONDUCTOR / TYPE ET TEMP DE FIL** Cu 75°C

**POWER WIRING / ALAMBRADO DE ALIMENTACION / CABLAGE D'ALIMENTACION**

**LINE / LINEA / LIGNE**  
**AWG** #14 - 10 TORQUE / TORQUE / COUPLE DE SERRAGE 50 lb-in  
#8 - 3/0 120 lb-in

**LOAD / CARGA / CHARGE**  
**AWG** #12 - 4 TORQUE / TORQUE / COUPLE DE SERRAGE 26 lb-in

**REFERENCE MANUALS / MANUAL DE REFERENCIA / MANUEL DE REFERENCE** BBV51330 30072-453-26  
**DWG**

**FO # / NUMERO DE PEDIDO DE FABRICA / NUMERO DE COMMANDE DE L'USINE** 009 0610

**ASSY IN MX**

80463-012-01 Rev 0

Code de l'usine      Code de date

## Description du numéro de catalogue

Le numéro de catalogue est sur la plaque signalétique fixée à l'intérieur de la porte du contrôleur 22 sous coffret (figure 1). Le numéro de catalogue est codé pour décrire la configuration du contrôleur.

Utiliser le tableau 2 à la page 11 pour convertir le numéro de catalogue en une description du contrôleur. L'exemple donné dans le tableau 1 convertit le numéro de catalogue indiqué sur la plaque signalétique à la figure 1.

Pour la description des options indiquées au tableau 2, se reporter à la Section 4 commençant à la page 87.

Tableau 1 : Exemple de numéro de catalogue : 863922UDG4BA06A07

Champ							
—	1	2	3	4	5	6	7
8639	22U	D	G	4	B	A06	A07
Classe du contrôleur	Disjoncteur thermo-magnétique PowerPact <sup>MC</sup>	10 HP	UL Type 1 Universelle	460 V~	Déclencheur shunt de base	Bouton-poussoir, démarrage -arrêt	Voyant de marche (rouge), Voyant d'arrêt (vert)



Tableau 2 : Description du numéro de catalogue

Champ	Chiffre	Caractéristique	Description
—	—	Classe du contrôleur	8638 = Sectionneur à fusible <sup>1</sup> 8639 = sectionneur à disjoncteur
01	1–3	Type de contrôleur	22F = Altistart 22 avec porte-fusibles classe J et interrupteur à boîtier moulé <sup>1</sup> 22T = Altistart 22 avec protecteur de circuits de moteurs PowerPact 22U = Altistart 22 avec disjoncteur thermomagnétique PowerPact
02	4	Puissance (HP)	A = 3 HP                      L = 60 HP B = 5 HP                      M = 75 HP C = 7,5 HP                    N = 100 HP D = 10 HP                    P = 125 HP E = 15 HP                    Q = 150 HP F = 20 HP                    R = 200 HP G = 25 HP                    S = 250 HP H = 30 HP                    T = 300 HP J = 40 HP                    U = 350 HP K = 50 HP                    W = 400 HP X = 500 HP
03	5	Type d'armoire	G = UL Type 1 universelle A = UL Type 12/12K, usage industriel, étanche à la poussière/anti-égouttements <sup>2</sup> H = UL Type 3R pour une utilisation à l'extérieur
04	6	Tension	2 = 208 V~ 3 = 230 V~ 4 = 460 V~ 5 = 575 V~
05	7	Circuit d'alimentation	B = Déclencheur shunt de base S = Déclencheur shunt de fonctions complètes N = Isolement non-inverseur R = Isolement inverseur Y = Contournement pleine tension intégré
06	8 – 10	Options de contrôle <sup>3,4</sup>	A06 = Bouton-poussoirs de démarrage-arrêt B06 = Avant-Arrêt-Arrière <sup>5</sup> C06 = Sélecteur Manuel-Arrêt-Auto (HOA) D06 = Sélecteur arrêt/marche E06 = Sélecteur Manuel-Auto / Boutons-poussoirs de démarrage-arrêt
07	11 – 13	Options des voyants <sup>3,4</sup>	A07 = Voyant de marche (rouge), voyant d'arrêt (vert) B07 = Voyant de fonctionnement pousser-pour-vérifier (rouge), voyant d'arrêt pousser-pour-vérifier (vert) C07 = Voyant de marche (rouge), voyant d'arrêt (vert), voyant de réarmement/déclenché (jaune) <sup>6</sup> D07 = Voyant de marche PTT (rouge), voyant d'arrêt PTT (vert), voyant de réarmement/déclenché (jaune) <sup>6</sup>
08	14 – 16	Options de mesure <sup>3</sup>	B08 = Compteur de temps de fonctionnement écoulé

Page suivante

FRANÇAIS

Tableau 2 : Description du numéro de catalogue (suite)

Champ	Chiffre	Caractéristique	Description
09	17 – 19	Options diverses <sup>3</sup>	<p>A10 = Kit de montage au sol<sup>7</sup>                      B10 = 150 VA supplémentaires<sup>1</sup>                      C10 = Relais à retard de l'activation à la mise sous tension<sup>1,11</sup>                      D10 = Bouton-poussoir d'arrêt d'urgence<sup>1</sup>                      E10 = Étiquette cUL<sup>8</sup>                      F10 = Contacts auxiliaires du mode de fonctionnement                      G10 = Contacts auxiliaires de contournement pleine tension<sup>1,9</sup>                      H10 = Contacts auxiliaires du mode automatique<sup>10,11</sup>                      J10 = Contacts auxiliaires d'indication de déclenchement                      L10 = Plaque signalétique d'identification gravée<sup>1</sup>                      M10 = 10 borniers de rechange<sup>1</sup>                      P10 = Marqueurs de câbles permanents<sup>1</sup>                      R10 = Varistor à oxyde métallique (VOM) / Suppresseur de surtension transitoires<sup>1</sup>                      U10 = Omettre le terminal d'exploitation monté sur la porte<sup>12</sup>                      X10 = Fonctionnement à 50 °C (122 °F)                      Y10 = Qualifié anti-séisme                      Z10 = Convenant à une utilisation comme entrée de service<sup>8</sup>                      610 = Valeur nominale d'interruption élevée<sup>13</sup>                      910 = Option de la loi américaine de la récupération et du réinvestissement (ARRA)</p>

- <sup>1</sup> Cette option n'est pas sélectionnable avec l'option de circuit d'alimentation B05.
- <sup>2</sup> Les coffrets à montage mural comprennent des débouchures pour le raccordement de conduits. Se reporter aux figures 17 à 21 commençant à la page 41 pour obtenir l'emplacement des débouchures et les détails.
- <sup>3</sup> Sélectionner une seule option.
- <sup>4</sup> Pour ne pas employer, ne pas inclure de sélection dans ce numéro de catalogue.
- <sup>5</sup> Un circuit de contrôle B06 est requis lorsque le circuit d'alimentation d'isolement inverseur (R05) est sélectionné et n'est pas disponible avec d'autres options de circuit d'alimentation.
- <sup>6</sup> Cette option n'est pas valide avec les circuits d'alimentation à déclencheur shunt (B05 ou S05).
- <sup>7</sup> Cette option n'est disponible que pour le coffret taille D. Consulter le tableau 12 à la page 35 pour les classifications.
- <sup>8</sup> Les options E10 et Z10 ne peuvent pas être utilisées ensemble.
- <sup>9</sup> Les contacts ne sont disponibles que lorsque l'option de circuit d'alimentation Y05 est sélectionnée.
- <sup>10</sup> Les contacts ne sont pas disponibles lorsque l'option de circuit d'alimentation R05 est sélectionnée.
- <sup>11</sup> Cette option est valide seulement avec les options de contrôle suivantes : C06, D06 ou E06.
- <sup>12</sup> En cas d'option U10, le terminal d'exploitation à distance (VW3G22101) et le câble (VW3A1104R30) doivent être commandés séparément pour la mise en service du démarreur progressif. Se reporter au Guide de l'utilisateur ATS22, BBV51330, pour la programmation de la communication en série et les possibilités de contrôle.
- <sup>13</sup> Les contrôleurs ATS22 sous coffret tailles E et G avec déconnexion par disjoncteur (22U) sont fournis de façon standard avec des valeurs nominales de court-circuit de 65 kA à 460 V et 25 kA à 575 V. La sélection de l'option 610 augmente la valeur nominale à 100 kA à 460 V ou 50 kA à 575 V. L'option n'est pas valide avec les contrôleurs types 22T ou 22F.

## Caractéristiques techniques

Tableau 3 : Valeur nominale pour service standard, UL type 1 et UL type 12/12K

N° de catalogue du contrôleur 22 sous coffret 1,2,3	Tension d'entrée 60 Hz	Puissance nominale	Courant à pleine charge	Puissance dissipée totale max. à la charge nominale 4,5	N° de catalogue Altistart 22
	V~	HP	A	W	
22◆A●2✕	208	3	10,6	65,7	ATS22D17S6U
22◆B●2✕		5	16,7	71,8	ATS22D32S6U
22◆C●2✕		7,5	24,2	75,0	ATS22D32S6U
22◆D●2✕		10	30,8	81,8	ATS22D47S6U
22◆E●2✕		15	46,2	95,4	ATS22D62S6U
22◆F●2✕		20	59,4	106,7	ATS22D75S6U
22◆G●2✕		25	74,8	112,0	ATS22D88S6U
22◆H●2✕		30	88	149,0	ATS22C11S6U
22◆J●2✕		40	114	182,8	ATS22C14S6U
22◆K●2✕		50	143	221,3	ATS22C17S6U
22◆L●2✕		60	169	252,6	ATS22C21S6U
22◆M●2✕		75	211	307,1	ATS22C25S6U
22◆N●2✕		100	273	418,3	ATS22C32S6U
22◆P●2✕		125	343	533,0	ATS22C41S6U
22◆Q●2✕		150	395	563,0	ATS22C48S6U
22◆B●3✕	230	5	15,2	66,5	ATS22D17S6U
22◆C●3✕		7,5	22	74,2	ATS22D32S6U
22◆D●3✕		10	28	76,5	ATS22D32S6U
22◆E●3✕		15	42	94,0	ATS22D47S6U
22◆F●3✕		20	54	101,4	ATS22D62S6U
22◆G●3✕		25	68	112,8	ATS22D75S6U
22◆H●3✕		30	80	115,6	ATS22D88S6U
22◆J●3✕		40	104	163,7	ATS22C11S6U
22◆K●3✕		50	130	199,9	ATS22C14S6U
22◆L●3✕		60	154	232,9	ATS22C17S6U
22◆M●3✕		75	192	273,1	ATS22C21S6U
22◆N●3✕		100	248	354,4	ATS22C25S6U
22◆P●3✕		125	312	481,6	ATS22C32S6U
22◆Q●3✕		150	360	562,3	ATS22C41S6U
22◆R●3✕		200	480	691,3	ATS22C59S6U

Page suivante

FRANÇAIS

Tableau 3 : Valeur nominale pour service standard, UL type 1 et UL type 12/12K (suite)

N° de catalogue du contrôleur 22 sous coffret 1,2,3	Tension d'entrée 60 Hz	Puissance nominale	Courant à pleine charge	Puissance dissipée totale max. à la charge nominale 4,5	N° de catalogue Altistart 22
	V~	HP	A	W	
22◆D●4✘	460	10	14	81,2	ATS22D17S6U
22◆E●4✘		15	21	88,5	ATS22D32S6U
22◆F●4✘		20	27	91,6	ATS22D32S6U
22◆G●4✘		25	34	98,7	ATS22D47S6U
22◆H●4✘		30	40	107,2	ATS22D47S6U
22◆J●4✘		40	52	121,1	ATS22D62S6U
22◆K●4✘		50	65	132,0	ATS22D75S6U
22◆L●4✘		60	77	134,9	ATS22D88S6U
22◆M●4✘		75	96	176,8	ATS22C11S6U
22◆N●4✘		100	124	214,6	ATS22C14S6U
22◆P●4✘		125	156	256,1	ATS22C17S6U
22◆Q●4✘		150	180	263,6	ATS22C21S6U
22◆R●4✘		200	240	343,5	ATS22C25S6U
22◆S●4✘		250	302	464,5	ATS22C32S6U
22◆T●4✘		300	361	564,1	ATS22C41S6U
22◆U●4✘		350	414	589,6	ATS22C48S6U
22◆V●4✘	400	477	686,6	ATS22C59S6U	
22◆E●5✘	575	15	17	82,0	ATS22D17S6U
22◆F●5✘		20	22	88,6	ATS22D32S6U
22◆G●5✘		25	27	90,7	ATS22D32S6U
22◆H●5✘		30	32	96,8	ATS22D47S6U
22◆J●5✘		40	41	106,7	ATS22D47S6U
22◆K●5✘		50	52	119,3	ATS22D62S6U
22◆L●5✘		60	62	127,4	ATS22D75S6U
22◆M●5✘		75	77	134,9	ATS22D88S6U
22◆N●5✘		100	99	179,4	ATS22C11S6U
22◆P●5✘		125	125	215,7	ATS22C14S6U
22◆Q●5✘		150	144	243,3	ATS22C17S6U
22◆R●5✘		200	192	273,1	ATS22C21S6U
22◆S●5✘		250	242	346,2	ATS22C25S6U
22◆T●5✘		300	289	443,2	ATS22C32S6U
22◆W●5✘		400	382	543,1	ATS22C48S6U
22◆X●5✘		500	472	678,8	ATS22C59S6U

<sup>1</sup> ◆ peut être F, T ou U, décrivant le type de contrôleur. Voir le tableau 2 à la page 11.

<sup>2</sup> ● peut être G, A ou H, décrivant le type d'armoire. Voir le tableau 2 à la page 11.

<sup>3</sup> ✘ peut être B, S, N, R ou Y, décrivant la configuration du circuit d'alimentation. Voir le tableau 2 à la page 11.

<sup>4</sup> La puissance dissipée n'inclut pas les pertes de fusibles de l'alimentation fournis par le client.

<sup>5</sup> Pour B.T.U./hr, multiplier les valeurs par 3,413.

Tableau 4 : Valeurs nominales pour service standard, UL type 3R et pour fonctionnement à 50 °C (122 °F)

N° de catalogue du contrôleur 22 sous coffret 1,2,3	Tension d'entrée 60 Hz	Puissance nominale	Courant à pleine charge	Puissance dissipée totale max. à la charge nominale <sup>4,5</sup>	N° de catalogue Altistart 22
	V~	HP	A	W	
22◆A●2✱	208	3	10,6	50,4	ATS22D17S6U
22◆B●2✱		5	16,7	53,3	ATS22D32S6U
22◆C●2✱		7,5	24,2	60,1	ATS22D47S6U
22◆D●2✱		10	30,8	70,2	ATS22D47S6U
22◆E●2✱		15	46,2	74,0	ATS22D75S6U
22◆F●2✱		20	59,4	83,2	ATS22D88S6U
22◆G●2✱		25	74,8	118,5	ATS22C11S6U
22◆H●2✱		30	88	140,3	ATS22C14S6U
22◆J●2✱		40	114	164,1	ATS22C17S6U
22◆K●2✱		50	143	197,8	ATS22C21S6U
22◆L●2✱		60	169	236,3	ATS22C25S6U
22◆M●2✱		75	211	297,8	ATS22C32S6U
22◆N●2✱		100	273	376,1	ATS22C41S6U
22◆P●2✱		125	343	434,8	ATS22C48S6U
22◆B●3✱	230	5	15,2	55,1	ATS22D32S6U
22◆C●3✱		7,5	22	57,5	ATS22D32S6U
22◆D●3✱		10	28	68,8	ATS22D47S6U
22◆E●3✱		15	42	69,7	ATS22D62S6U
22◆F●3✱		20	54	85,3	ATS22D75S6U
22◆G●3✱		25	68	89,1	ATS22D88S6U
22◆H●3✱		30	80	127,4	ATS22C11S6U
22◆J●3✱		40	104	145,5	ATS22C14S6U
22◆K●3✱		50	130	181,2	ATS22C17S6U
22◆K●3✱		50	130	181,2	ATS22C17S6U
22◆L●3✱		60	154	213,4	ATS22C21S6U
22◆M●3✱		75	192	250,7	ATS22C25S6U
22◆N●3✱		100	248	338,9	ATS22C32S6U
22◆P●3✱		125	312	438,1	ATS22C41S6U
22◆Q●3✱	150	360	506,6	ATS22C59S6U	

Page suivante

FRANÇAIS

Tableau 4 : Valeurs nominales pour service standard, UL type 3R et pour fonctionnement à 50 °C (122 °F) (suite)

N° de catalogue du contrôleur 22 sous coffret 1,2,3	Tension d'entrée 60 Hz	Puissance nominale	Courant à pleine charge	Puissance dissipée totale max. à la charge nominale <sup>4,5</sup>	N° de catalogue Altistart 22
	V~	HP	A	W	
22◆D●4✱	460	10	14	60,4	ATS22D32S6U
22◆E●4✱		15	21	63,5	ATS22D32S6U
22◆F●4✱		20	27	75,3	ATS22D47S6U
22◆G●4✱		25	34	83,3	ATS22D47S6U
22◆H●4✱		30	40	95,1	ATS22D62S6U
22◆J●4✱		40	52	96,6	ATS22D75S6U
22◆K●4✱		50	65	101,9	ATS22D88S6U
22◆L●4✱		60	77	139,9	ATS22C11S6U
22◆M●4✱		75	96	155,9	ATS22C14S6U
22◆N●4✱		100	124	170,4	ATS22C17S6U
22◆N●4✱		100	124	170,4	ATS22C17S6U
22◆P●4✱		125	156	208,6	ATS22C21S6U
22◆Q●4✱		150	180	251,3	ATS22C25S6U
22◆R●4✱		200	240	322,8	ATS22C32S6U
22◆S●4✱		250	302	422,9	ATS22C41S6U
22◆T●4✱		300	361	471,4	ATS22C48S6U
22◆U●4✱	350	414	557,3	ATS22C59S6U	
22◆E●5✱	575	15	17	68,3	ATS22D32S6U
22◆F●5✱		20	22	70,2	ATS22D32S6U
22◆G●5✱		25	27	77,7	ATS22D47S6U
22◆H●5✱		30	32	84,9	ATS22D47S6U
22◆J●5✱		40	41	89,4	ATS22D62S6U
22◆K●5✱		50	52	96,8	ATS22D75S6U
22◆L●5✱		60	62	104,5	ATS22D88S6U
22◆M●5✱		75	77	135,1	ATS22C11S6U
22◆N●5✱		100	99	155,2	ATS22C14S6U
22◆P●5✱		125	125	173,4	ATS22C17S6U
22◆Q●5✱		150	144	209,5	ATS22C21S6U
22◆R●5✱		200	192	240,9	ATS22C25S6U
22◆S●5✱		250	242	335,0	ATS22C32S6U
22◆T●5✱		300	289	447,7	ATS22C48S6U
22◆W●5✱		400	382	541,8	ATS22C59S6U

<sup>1</sup> ◆ peut être F, T ou U, décrivant le type de contrôleur. Voir le tableau 2 à la page 11.

<sup>2</sup> ● peut être G, A ou H, décrivant le type d'armoire. Voir le tableau 2 à la page 11.

<sup>3</sup> ✱ peut être B, S, N, R ou Y, décrivant la configuration du circuit d'alimentation. Voir le tableau 2 à la page 11.

<sup>4</sup> La puissance dissipée n'inclut pas les pertes de fusibles de l'alimentation fournis par le client.

<sup>5</sup> Pour B.T.U./hr, multiplier les valeurs par 3,413.

## Courant nominal de court-circuit

Les contrôleurs 22 sous coffret munis de disjoncteurs PowerPact à châssis H, J, D, L et P comme dispositif sectionneur ont une valeur nominale de court-circuit de 100 kA à 208 V, 240 V et 480 V et de 50 kA à 600 V (RMS symétriques).<sup>1</sup>

Les contrôleurs 22 sous coffret munis de disjoncteurs PowerPact à châssis M comme dispositif sectionneur ont une valeur nominale de court-circuit de 65 kA à 208 V, 240 V et 480 V et de 25 kA à 600 V (RMS symétriques). Ce disjoncteur est livré de façon standard lors d'une commande d'un sectionneur de type thermomagnétique (22U) aux gammes suivantes de puissance et de tension :

- Pour type 1/12 (40 °C / 104 °F) : 150 HP à 208 V; 200 HP à 230 V; 350–400 HP à 460 V; 400–500 HP à 575 V.
- Pour type 3R ou de température ambiante 50 °C (122 °F), type 1/12 : 125 HP à 208 V; 150 HP à 230 V; 300–350 HP à 460 V; 350–400 HP à 575 V.

L'option 610 (22U seulement) offre un disjoncteur PowerPact à châssis P comme sectionneur thermomagnétique afin d'augmenter la valeur nominale comme décrit ci-dessus.

Les contrôleurs 22 sous coffret ayant un interrupteur à fusible comme dispositif sectionneur ont une intensité nominale de court-circuit de 100 000 A (RMS symétriques) lorsqu'ils sont munis de fusibles temporisés classe J certifié UL. Pour inclure des fusibles avec l'appareil quand il est expédié, contacter l'usine.

### **AVERTISSEMENT**

#### **DOMMAGES CAUSÉS PAR LA CHALEUR ET LE FEU**

- Les dispositifs de protection doivent être correctement coordonnés.
- Ne raccordez pas le contrôleur à un câble d'alimentation dont la capacité de court-circuit dépasse la résistance au courant nominal de court-circuit indiqué sur la plaque signalétique du contrôleur.

**Si ces directives ne sont pas respectées, cela peut entraîner la mort ou des blessures graves.**

<sup>1</sup> La valeur nominale de court-circuit pour les circuits d'alimentation N05, R05 et Y05 avec un contacteur IEC est de 35 000 A à 600 V pour les puissances nominales suivantes :  
350 HP : Types 1 et 12  
300 HP : Type 3R ou Mod X10

## Spécifications techniques

**Tableau 5 : Spécifications électriques**

Tension d'alimentation	208 V~ +10%/-15%; 230 V~ +10%/-15%; 460 V~ +10%/-15%; 575 V~ +10%/-15%
Tension de contrôle	115 V~ +10%/-15% (transformateur d'alimentation de contrôle fourni)
Fréquence	50/60 Hz +/- 5%
Intensité nominale	Courant à pleine charge (FLA) selon NFPA 70 / NEC Tableau 430-250
Puissance du moteur	UL Type 1 et UL type 12/12K : 3–150 HP à 208 V 5–200 HP à 230 V 10–400 HP à 460 V 15–500 HP à 575 V
	UL Type 3R ou pour fonctionnement à 50 °C (122 °F): 3–125 HP à 208 V 5–150 HP à 230 V 10–350 HP à 460 V 15–400 HP à 575 V
Tension du moteur	208, 230, 460, 575 V
Service de démarrage (standard)	S1 : Démarrage à 350 % de In <sup>1</sup> pendant 40 s à partir d'un état froid S3 : Démarrage à 300 % de In <sup>1</sup> pendant 20 s, ou à 200 % de In pendant 40 s, avec un facteur de charge de 95 % et 3 démarrages par heure, ou un cycle thermique équivalent.

<sup>1</sup> In est le courant à pleine charge du contrôleur indiqué sur la plaque signalétique.

**Tableau 6 : Spécifications d'environnement**

Température d'entreposage	-25 à +70 °C (-13 à +158 °F)
Température de fonctionnement	UL Types 1 et 12/12K : -10 à 40 °C (+14 à 104 °F)
	UL Type 3R et Mod X10 : -10 à 50 °C (+14 à 122 °F)
Humidité	95 % sans condensation ni égouttement d'eau, conformément à IEC 60068-2-3
	UL Type 3R, 100 %
Altitude	1 000 m (3 280 pi), déclasser de 2,2 % pour chaque distance supplémentaire de 100 m (328 pi) jusqu'à 2 000 m (6 560 pi) maximum.
Armoire	UL Type 1 : Universelle
	UL Type 12/12K, usage industriel, étanche à la poussière/anti-égouttements
	UL Type 3R : Pour une utilisation à l'extérieur
Degré de pollution	Degré de pollution 2 (UL Type 1 et UL type 3R) et degré 3 (UL type 12/12K) selon les normes NEMA ICS-1 et IEC 60664-1
Tenue aux vibrations (démarrage progressif uniquement)	Selon la norme IEC 60068-2-6 : 1,5 mm crête à crête de 3 jusqu'à 13 Hz 1 gn de 13 jusqu'à 150 Hz
Tenue aux chocs	Selon la norme IEC 60068-2
Codes et normes	Inscrit UL sous UL 508 dans la catégorie NKJH. Conforme aux normes NEMA ICS, NFPA et IEC en vigueur. Fabriqué selon les normes ISO 9001. La modification d'usine E10 fournit la certification canadienne cUL, C22.2 N° 14. Certification sismique : • 2003 IBC, NFPA 5000 et ASCE7 • ICC ES AC 156 <sup>1</sup>

<sup>1</sup> Protocole d'essai de critères d'acceptation avec un facteur d'importance de 1,5.



**Tableau 7 : Fonctionnement**

Méthodes de démarrage :	
Rampe de couple	Réglable de 1 à 60 s par un terminal d'exploitation
Limitation de courant	Réglable de 150 % à 350 % du courant nominal (In) du contrôleur indiqué sur la plaque signalétique.
Impulsion de survolteur de mise en service	Démarrage à impulsion à 80 % de la pleine tension pendant 0,1 à 1 s ( <b>bSt</b> ) pour libérer les charges à friction élevée ou démarrer les moteurs bipolaires.
Méthodes d'arrêt :	
Arrêt roue libre	Arrêt désembrayé sur commande d'arrêt
Rampe de décélération de couple	Réglable de 1 à 60 s par un terminal d'exploitation
État et diagnostics	Affichage numérique de l'état du moteur et du contrôleur, comprenant : État prêt/marche Courant du moteur

**Tableau 8 : Protection**

Moteur :	
Surcharge thermique	Relais de surcharge thermique transistorisé, intégré dans le démarreur progressif ATS22. La classe de surcharge peut être choisie comme 10, 20 ou 30 par le terminal d'exploitation. La gamme va de 40 % à 100 % du courant nominal du démarreur progressif ATS22. <sup>1</sup>
Sectionneur à déclencheur Shunt	Supprime toute alimentation en provenance de l'armoire du contrôleur lorsque le démarreur progressif ATS22 détecte une condition de défaut.
Contrôleur :	
Courant nominal de court-circuit	<ul style="list-style-type: none"> <li>Disjoncteur PowerPact à châssis H, J, D, L ou P : 100 kA à 480 V et 50 kA à 600 V<sup>2</sup></li> <li>Disjoncteur PowerPact à châssis M : 65 kA à 480 V et 25 kA à 600 V</li> <li>Sectionneur à fusible : 100 kA à 600 V (exige des fusibles temporisés inscrits UL, classe J, non compris).</li> </ul>
Protection contre les surintensités	Un dispositif de protection contre les surintensités (OCPD) fournit la coordination du type 1 avec le courant nominal de court-circuit.
Protection contre la surchauffe	Protection si la température du radiateur dépasse 185 °F (85 °C)
Contacteur de court-circuit	Un contacteur de court-circuit est intégré dans le démarreur progressif ATS22 et réduit la montée de température dans l'armoire en éliminant la perte de watts des SCR.
Seuil de déséquilibre de courant	Programmable, de 10 % à 100 % du courant nominal du démarreur progressif (In)
Défaut à la terre	Programmable, de 10 % à 100 % du courant nominal du démarreur progressif (In)
Sous-tension/surtension	Programmable, déclenchement en sous-tension de 50 % à 90 % de la tension de ligne ( <b>ULn</b> ), et déclenchement en surtension de 110 % à 125% de la tension de ligne.

<sup>1</sup> Se reporter au *Guide de l'utilisateur ATS22*, BBV51330, pour le courant nominal maximum du démarreur progressif ATS22. Il peut être différent des valeurs nominales du contrôleur ATS22 sous coffret.

<sup>2</sup> La valeur nominale de court-circuit pour les circuits d'alimentation N05, R05 et Y05 avec un contacteur IEC est de 35 000 A à 600 V pour les puissances nominales suivantes :  
350 HP : Types 1 et 12  
300 HP : Type 3R ou Mod X10

FRANÇAIS



## Section 2—Réception, manutention et entreposage

### **▲ AVERTISSEMENT**

#### **CONTRÔLEUR 22 SOUS COFFRET ENDOMMAGÉ**

N'installez pas et ne faites pas fonctionner le contrôleur 22 sous coffret s'il semble être endommagé.

**Si ces directives ne sont pas respectées, cela peut entraîner la mort, des blessures graves ou des dommages matériels.**

### Réception et inspection préliminaire

Avant son expédition de l'usine, chaque contrôleur 22 sous coffret est inspecté visuellement, électriquement et mécaniquement par des analystes professionnels du contrôle de la qualité. Une certification des essais de contrôle de la qualité est disponible sur demande.

Inspecter soigneusement le contrôleur 22 sous coffret avant de l'entreposer ou de l'installer. À la réception :

1. Retirer le contrôleur 22 sous coffret de son emballage et l'inspecter visuellement pour voir s'il a été endommagé pendant l'expédition.
2. S'assurer que le numéro de catalogue sur la plaque signalétique du contrôleur 22 sous coffret (voir la figure 1 à la page 10) correspond au numéro de catalogue indiqué sur le bordereau d'emballage et correspondant à la commande d'achat.
3. En cas d'endommagement durant le transport, aviser le transporteur et votre représentant des ventes Schneider Electric.

### Entreposage de l'appareil

### **AVIS**

#### **EMPILEMENT DURANT L'ENTREPOSAGE OU L'EXPÉDITION**

- N'empilez pas de contrôleurs 22 sous coffret les uns sur les autres à moins qu'ils ne soient emballés dans des caisses à claire-voie en bois. N'empilez pas plus de trois contrôleurs emballés dans des caisses à claire-voie les uns sur les autres.
- Ne posez rien sur le dessus du contrôleur 22 sous coffret.
- Entreposez ou expédiez le contrôleur 22 sous coffret dans l'emballage d'origine.

**Si ces directives ne sont pas respectées, cela peut entraîner des dommages matériels.**

L'entreposage du contrôleur 22 sous coffret dans son emballage d'origine jusqu'à ce qu'il atteigne sa destination définitive aide à le protéger et à éviter l'endommagement de son extérieur.

- Si le contrôleur 22 sous coffret doit être entreposé après sa réception, le remettre dans son emballage d'origine et l'entreposer dans un endroit propre et sec où la température ambiante est entre -25 et +70 °C (-13 et +158 °F).
- Si le contrôleur doit être envoyé à un autre endroit, utiliser l'emballage et le carton d'origine pour le protéger.

## Déballage du contrôleur

### Unités à montage mural

#### **⚠ AVERTISSEMENT**

##### **APPAREIL LOURD**

- Le levage du contrôleur 22 sous coffret nécessite l'emploi d'un appareil de levage ou de deux personnes.
- Utilisez toujours des pratiques de levage ne présentant aucun danger.

**Si ces directives ne sont pas respectées, cela peut entraîner la mort, des blessures graves ou des dommages matériels.**

- Manipuler le contrôleur 22 sous coffret avec précaution pour éviter tout endommagement des composants internes, du châssis et de l'extérieur.
- Soulever le contrôleur 22 sous coffret hors de son carton d'expédition à l'aide de deux personnes ou d'un appareil de levage adéquat et le placer sur une surface plane.

Les contrôleurs expédiés debout ont un centre de gravité élevé, qui peut les faire culbuter et tomber. Les chariots élévateurs offrent une méthode pratique de déplacement d'un appareil à montage au sol.

#### **⚠ AVERTISSEMENT**

##### **CHARGE INSTABLE**

- Prenez d'extrêmes précautions lors du déplacement d'un matériel lourd.
- Vérifiez si l'appareil utilisé pour le déplacement est adéquat pour supporter le poids.
- Lors du retrait de l'appareil de sa palette de transport, équilibrez-le avec soin et fixez-le à l'aide d'une sangle de sécurité.

**Si ces directives ne sont pas respectées, cela peut entraîner la mort, des blessures graves ou des dommages matériels.**

### Unités à montage au sol

## Levage du contrôleur

### **▲ AVERTISSEMENT**

#### **RISQUE EN COURS DE LEVAGE ET DE MANUTENTION**

- Maintenez la zone en dessous de l'appareil en cours de levage, dégagée de toutes personnes et tous objets.
- Le levage du contrôleur 22 sous coffret nécessite l'emploi d'un appareil de levage. Utiliser la méthode de levage indiquée dans les figures 2 et 3 à la page 24.
- Avant de soulever le contrôleur :
  - Inspectez les plaques, trous, fentes et anneaux de levage pour vous assurer qu'ils ne sont pas endommagés.
  - Attachez une entretoise.
  - Maintenez la force de levage verticale.
  - Limitez l'angle des élingues à moins de 45 °.

**Si ces directives ne sont pas respectées, cela peut entraîner la mort, des blessures graves ou des dommages matériels.**

Lors de la manutention des contrôleurs :

- Toujours travailler avec une autre personne. Le poids, la taille et la forme du contrôleur sont tels que deux personnes sont nécessaires pour le manier.
- Utiliser des gants résistant aux coupures.

## Contrôleurs à montage mural

Lors du soulèvement de contrôleurs à montage mural :

- Attacher une entretoise aux deux trous de levage supérieurs sur la plaque supérieure du contrôleur et lever le contrôleur avec des chaînes ou des sangles. Voir la figure 2 à la page 24 pour la méthode de levage correcte. Voir la figure 4 à la page 24 pour l'emplacement des trous de levage.
- Relever le contrôleur de sa position horizontale (l'arrière du contrôleur reposant sur la palette) à la position verticale.

**REMARQUE :** Le bas du contrôleur à montage mural a une bride de montage qui l'empêche de tenir en position verticale. Si le contrôleur repose sur la bride de montage, il peut se renverser.

## Contrôleurs à montage au sol

Lors du soulèvement de contrôleurs à montage au sol :

- Manier le contrôleur en position verticale uniquement.
- Choisir des longueurs d'accrochage qui compensent toute répartition inégale du poids.
- Ne pas dépasser l'angle maximum de 45° entre la verticale et les élingues de levage (voir la figure 3 à la page 24).
- Employer des élingues avec crochets ou manilles de sécurité uniquement. Ne pas passer de câbles dans les trous des cornières de levage.

Figure 2 : Emploi correct d'une entretoise pour soulever les contrôleurs à montage mural

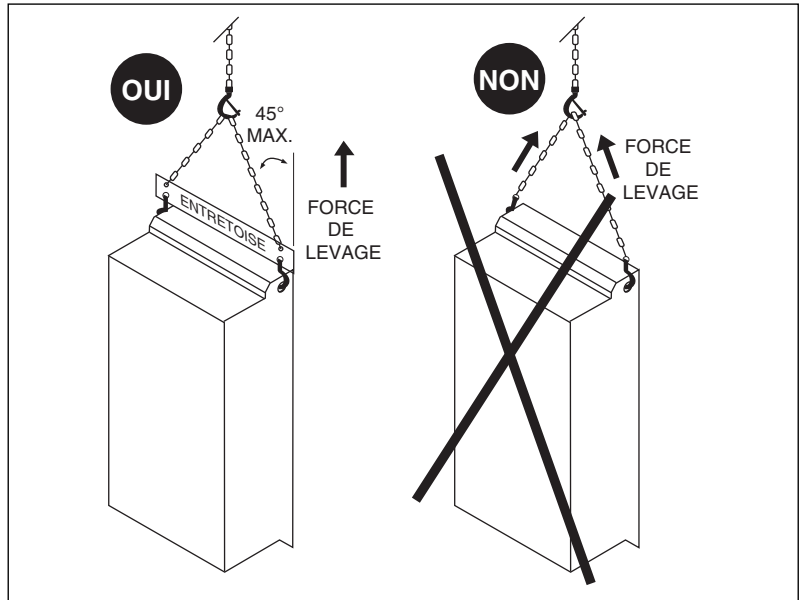


Figure 3 : Emploi correct d'une élingue pour soulever les contrôleurs à montage au sol

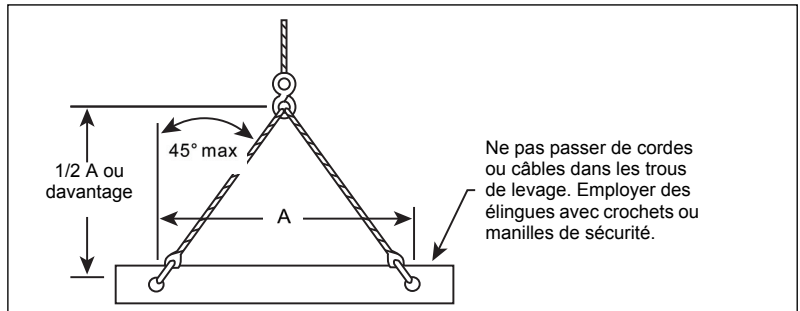
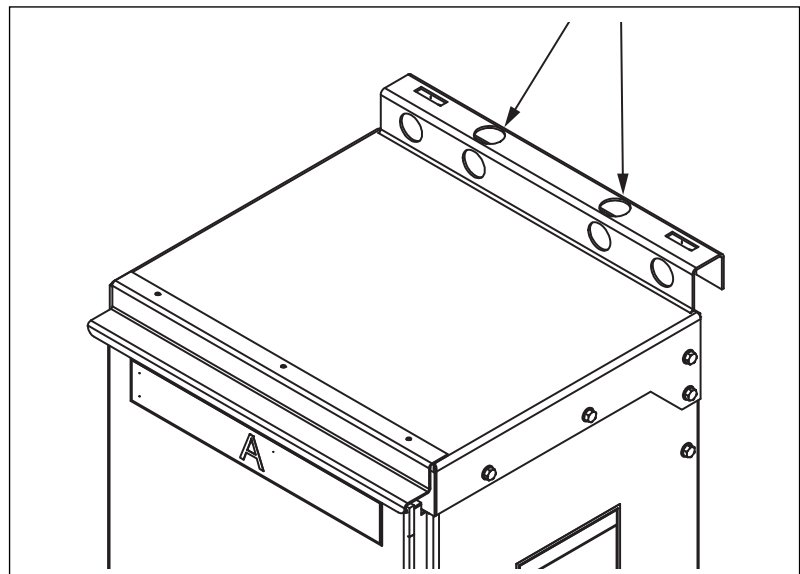


Figure 4 : Trous de levage sur les contrôleurs 22 sous coffret

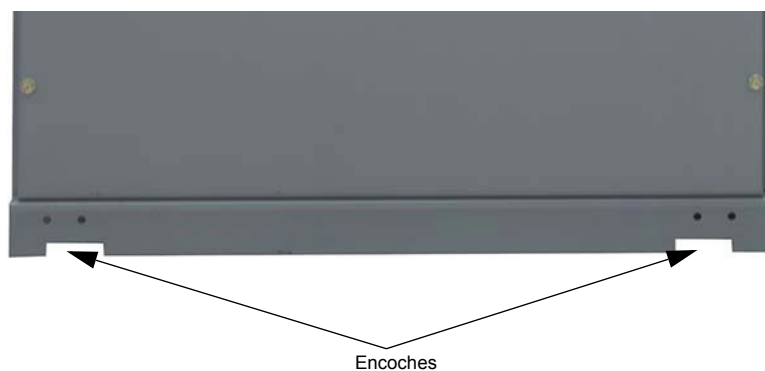


## Positionnement du contrôleur

En se servant des encoches des profilés de la base, déplacer soigneusement le contrôleur en position à l'aide d'un pied de biche.

**REMARQUE :** Prendre d'extrêmes précautions lors du déplacement de contrôleurs à montage au sol, car ils peuvent être instables. Voir « Déballage du contrôleur » à la page 22 avant de déplacer un appareil à montage au sol.

**Figure 5 :** Encoches des profilés de la base







## Section 3—Installation et mise en service

### Installation physique

#### **⚠ DANGER**

##### **RISQUE D'ÉLECTROCUTION, D'EXPLOSION OU D'ÉCLAIR D'ARC**

Lisez et comprenez les précautions dans la section « Avant de commencer » commençant à la page 8 avant d'effectuer les procédures dans cette section.

**Si ces directives ne sont pas respectées, cela entraînera la mort ou des blessures graves.**

### Exigences de montage

#### Armoires tailles A, B, C et D

Observer ces exigences lors du montage du contrôleur 22 sous coffret :

- Installer le contrôleur dans un environnement de pollution, degré 2 (UL type 1 ou 3R) ou degré 3 (UL type 12/12K), comme défini dans NEMA ICS1 et IEC 60664-1.
- Monter le contrôleur à montage mural sur une surface verticale plate, solide, non combustible, capable de supporter son poids.
- Monter le contrôleur à montage au sol sur une surface plate, solide, capable de supporter son poids.
- En cas de perçage pour l'entrée d'un conduit, faire attention d'empêcher des copeaux de métal de tomber sur des pièces et cartes de circuits électroniques imprimés.
- Pour le nettoyage intérieur ou extérieur du contrôleur, employer un aspirateur. Ne pas utiliser d'air comprimé, cela pourrait envoyer des polluants dans d'autres parties du contrôleur.
- Vérifier si l'armoire n'a pas subi des dommages qui pourraient réduire les distances d'isolement électrique.
- Ne pas monter le contrôleur sur des surfaces directement exposées à la lumière solaire directe ou des surfaces chaudes.
- Lors de la fixation de contrôleurs à montage mural sur leur surface de montage, utiliser des fixations classées pour le poids du contrôleur, les chocs et vibrations de l'installation envisagés et l'environnement. Voir les tableaux 11 et 12 commençant à la page 34 pour les poids des contrôleurs.
- Fixer les quatre coins du contrôleur.
- Utiliser des manchons de conduit étanches pour faire des raccordements entre le conduit et les armoires UL type 3R. Les raccordements de conduits par le haut de l'armoire ne sont pas recommandés.
- Prévoir un refroidissement suffisant pour la charge thermique envisagée. Voir les tableaux 3 et 4 aux pages 13 et 15 pour obtenir la puissance dissipée à la charge nominale.
- Pour les directives de montage sur un profilé EZM voir la page 30.

## ▲ AVERTISSEMENT

### MONTAGE INCORRECT

Avant de retirer le mécanisme de levage :

- Assurez-vous que toute la quincaillerie est d'une taille et d'un type suffisants pour le poids du contrôleur.
- Fixez et serrez toute la quincaillerie.

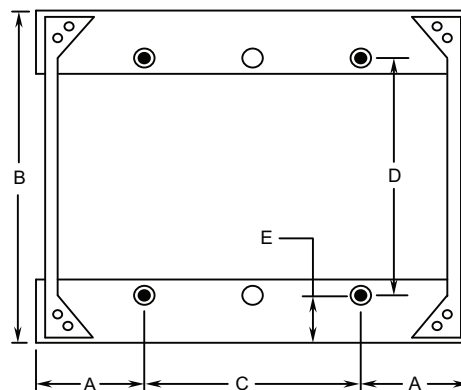
**Si ces directives ne sont pas respectées, cela peut entraîner la mort, des blessures graves ou des dommages matériels.**

### Armoires tailles E, F et G

Attacher le contrôleur au sol à l'aide de boulons de 1/2 po ou 3/4 po de qualité 5 ou supérieure et de rondelles plates (fournis par le client). Des trous de montage de 22 mm (0,88 po) de diamètre dans les profilés de la base fournissent un dégagement pour des chevilles d'expansion pour boulons de 1/2 po.

**REMARQUE :** Bien que l'armoire soit autonome, l'attacher au sol l'empêche de bouger et réduit la possibilité d'endommagement d'un raccordement de conduit.

**Figure 6 : Dimensions de montage des profilés de base types 1 et 12 et 12**



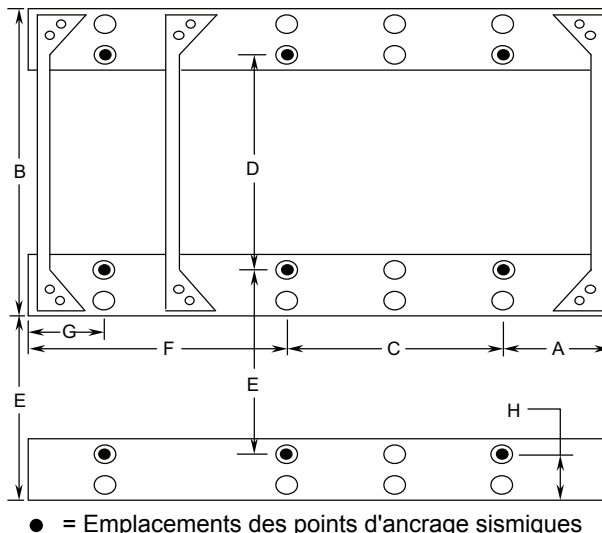
● = Emplacements des points d'ancrage sismiques

**Tableau 9 : Dimensions des coffrets types 1 et 12 (voir la figure 6 pour les lettres)**

Lettre	Largeur de la section po (mm)	Dimension po (mm)
A	N/A	5,00 (127)
B	N/A	20,00 (508)
C	20,00 (508)	10,00 (254)
	25,00 (635)	15,00 (381)
	30,00 (762)	20,00 (508)
D	N/A	14,98 (380)
E	N/A	2,50 (64)

N/A = Non applicable

Figure 7 : Dimensions de la section type 3R



● = Emplacements des points d'ancrage sismiques

Tableau 10 : Dimensions des coffrets type 3R (voir la figure 7 pour les lettres)

Lettre	Largeur de la section po (mm)	Dimension po (mm)
A	N/A	5,00 (127)
B	N/A	20,00 (508)
C	20,00 (508)	10,00 (254)
	25,00 (635)	15,00 (381)
	30,00 (762)	20,00 (508)
D	N/A	14,98 (380)
E	N/A	11,60 (295)
F	N/A	12,50 (318)
G	N/A	5,00 (127)
H	N/A	3,60 (91)

N/A = Non applicable

## Exigences d'espace

Lors du montage de contrôleurs 22 sous coffret, observer les exigences d'espace suivantes :

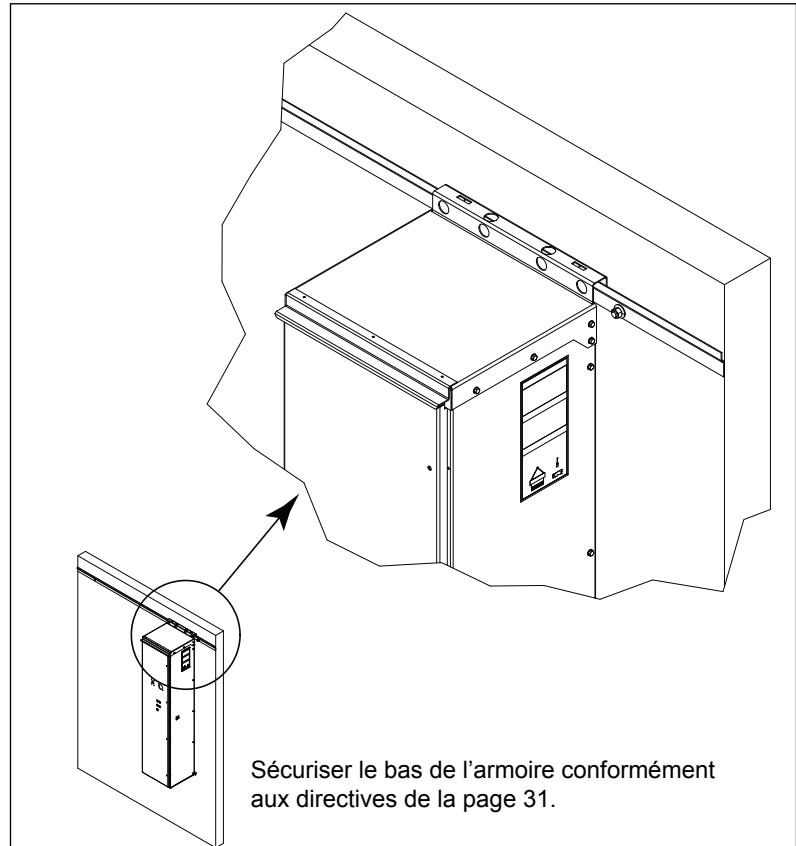
- Monter chaque contrôleur de sorte que la porte puisse être ouverte de 90° au moins.
- Appareil à montage mural :
  - Laisser un espace libre minimal de 50 mm (2 po) au haut et au bas de chaque contrôleur.
  - Laisser un espace libre minimal de 25 mm (1,0 po) à gauche et à droite de chaque contrôleur.
  - Laisser un espace libre minimal de 914 mm (3 pi) à l'avant du contrôleur.
- Appareil à montage au sol :
  - Laisser un espace libre minimal de 914 mm (3 pi) à l'avant du contrôleur.
  - Laisser un espace libre minimal de 13 mm (0,5 po) entre l'arrière du contrôleur et le mur. Pour les emplacements sujets à l'humidité, fournir un espace libre minimal de 152 mm (6 po).

## Profilé de montage EZM

Un profilé EZM peut être utilisé pour monter un seul coffret à montage mural ou pour aider à aligner plusieurs coffrets à montage mural.

**REMARQUE :** Un montage EZM ne peut pas satisfaire aux exigences sismiques. Des méthodes de montage normales doivent être utilisées pour satisfaire aux exigences sismiques.

**Figure 8 : Profilé de montage EZM**



Observer les exigences suivantes pour un montage EZM :

- Attacher fermement le profilé de montage EZM sur un mur d'une classe suffisante pour supporter le poids total des contrôleurs.
- Ajouter des points d'ancrage supplémentaires au profilé de montage EZM de la façon suivante, en tenant aussi compte de la construction du mur :

### Déclencheur shunt (B05)

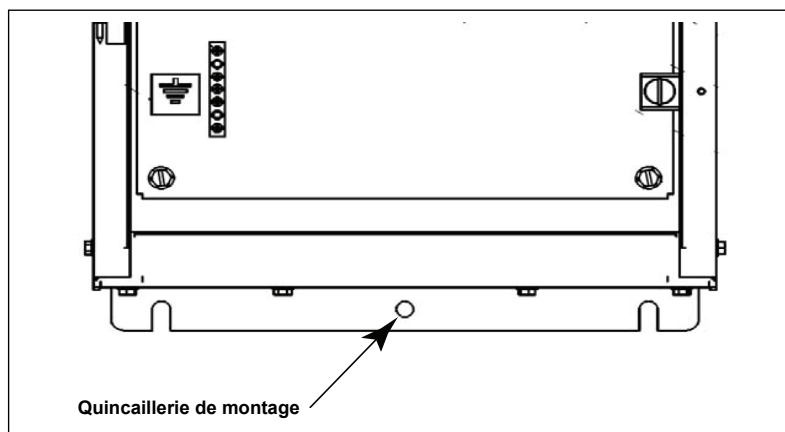
- Se reporter au tableau 11 à la page 34 pour le type d'armoire, la puissance (HP) et la gamme de tension.
- **Armoires taille A :** Pour un rail d'une longueur de 1829 mm (72 po) avec un maximum de huit contrôleurs de taille A, ne pas placer les points d'ancrage du rail à plus de 229 mm (9 po) de chaque extrémité et ne pas laisser plus de 635 mm (25 po) entre chaque point d'ancrage supplémentaire.
- **Armoires taille B :** Pour un rail d'une longueur de 1829 mm (72 po) avec un maximum de six contrôleurs de taille B, ne pas placer les points d'ancrage du rail à plus de 102 mm (4 po) de chaque extrémité et ne pas laisser plus de 381 mm (15 po) entre chaque point d'ancrage supplémentaire.
- **Armoires taille D :** Pour un rail d'une longueur de 1829 mm (72 po) avec un maximum de cinq contrôleurs de taille D, ne pas placer les

points d'ancrage du rail à plus de 102 mm (4 po) de chaque extrémité et ne pas laisser plus de 381 mm (15 po) entre chaque point d'ancrage supplémentaire.

#### Options d'alimentation (S05, N05, R05 ou Y05)

- Se reporter au tableau 12 à la page 35 pour le type d'armoire, la puissance (HP) et la gamme de tension.
- **Armoires taille B** : Pour un rail d'une longueur de 1829 mm (72 po) avec un maximum de six contrôleurs de taille B, ne pas placer les points d'ancrage du rail à plus de 229 mm (9 po) de chaque extrémité et ne pas laisser plus de 635 mm (25 po) entre chaque point d'ancrage supplémentaire.
- **Armoires tailles C et D** : Pour un rail d'une longueur de 1829 mm (72 po) avec un maximum de cinq contrôleurs de taille C ou D, ne pas placer les points d'ancrage du rail à plus de 102 mm (4 po) de chaque extrémité et ne pas laisser plus de 381 mm (15 po) entre chaque point d'ancrage supplémentaire.
- Utiliser de la quincaillerie de 8 mm (5/16 po), qualité 5 ou mieux, pour fixer le rail au mur. Utiliser de la quincaillerie d'ancrage supplémentaire si nécessaire pour le matériel utilisé dans la construction du mur.
- Ajouter de la quincaillerie supplémentaire de 8 mm (5/16 po) à la bride inférieure de l'armoire. Voir la figure 9.

Figure 9 : Quincaillerie de montage EZM



## Critères de montage pour la qualification sismique

La qualification sismique (MOD S07) harmonise les normes suivantes conformément au protocole d'essai des critères d'acceptation ICC ES AC156 avec un facteur d'importance de 1,5 :

- 2003 IBC (code de construction international)
- NFPA 5000 (code de construction—association nationale de protection contre les incendies)
- 2001 CBC (code de construction canadien)
- 1997 UBC (code de construction uniforme)
- 1999 NBC (code de construction national BOCA)
- 1999 SBC (code de construction standard)
- ASCE 7 (société américaine des ingénieurs civils)

Pour la conformité d'installation anti-sismique :

- Observer les directives d'ancrage et de montage sur les étiquettes de qualification sismique attachées au contrôleur (voir les figures 10 à 12 aux pages 33 et 34).
- Utiliser des rondelles et boulons SAE de qualité 5.
- Serrer tous les boulons aux normes SAE en vigueur pour la quincaillerie de qualité 5, en tenant compte de tous les facteurs de revêtement de surface et de lubrification.

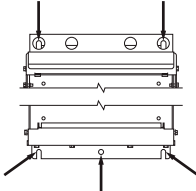
### **⚠ AVERTISSEMENT**

#### **RISQUE DE CULBUTE ET D'ÉCRASEMENT**

- Observez toutes les pratiques recommandées lors de l'ancrage et de la fixation d'un appareil anti-séisme.
- Remplacez tous les couvercles et fermez soigneusement les portes avant de mettre l'appareil en service.

**Si ces directives ne sont pas respectées, cela peut entraîner la mort, des blessures graves ou des dommages matériels.**

Figure 10 : Exigences d'ancrage anti-séisme pour les coffrets à montage mural, étiquette 80463-017-01



Seismic Anchorage Location  
 Ubicación de los sujetadores antisísmicos  
 Emplacement d'ancrage anti-séisme

### Seismic Anchorage Requirements

### Requisitos de los sujetadores antisísmicos

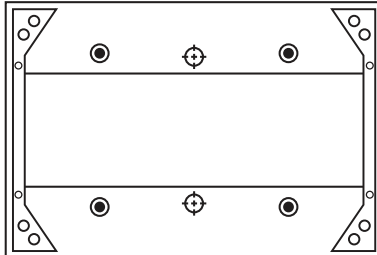
### Exigences d'ancrage anti-séisme

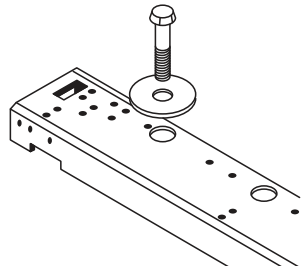
80463-017-01

ENGLISH	SPANISH	FRENCH
<ul style="list-style-type: none"> <li>To maintain Seismic Qualification each individual enclosure must be anchored to wall at all five mounting locations shown above.</li> <li>Refer to the current International Building Code, ASCE/SEI 7, or the National Building Code of Canada for the location-specific values of the 0.2 second spectral value of acceleration (Ss for the U.S. or Sa(0.2) for Canada).</li> <li>Use 3/8 in. Grade 5 bolts and appropriate washers</li> <li>In order to develop full strength of the anchor, torque bolts to the value specified by the anchor manufacturer.</li> <li>Refer to instruction manual for seismic installation instructions.</li> </ul>	<ul style="list-style-type: none"> <li>Para mantener la calificación sísmica, cada gabinete individual deberá ser sujetado a la pared en las cinco ubicaciones de montaje mostradas en la figura de arriba.</li> <li>Consulte el código de construcción internacional actual, ASCE/SEI 7, o bien, el código de construcción nacional de Canadá para obtener los valores de la ubicación específica para la aceleración espectral de 0,2 segundo (Ss para los EUA o Sa(0,2) para Canadá).</li> <li>Utilice tornillos de 10 mm (3/8 pulg) y rondanas.</li> <li>Para obtener la máxima resistencia de los herrajes de sujeción, apriételes en los valores especificados por el fabricante.</li> <li>Consulte el boletín para obtener las instrucciones de instalación antisísmica.</li> </ul>	<ul style="list-style-type: none"> <li>Pour maintenir la qualification sismique, chaque armoire individuelle doit être ancrée au mur aux cinq emplacements de fixation indiqués ci-dessus.</li> <li>Se reporter au code de construction international (International Building Code), ASCE/SEI 7 ou au Code national du bâtiment du Canada en vigueur pour la valeur d'accélération spectrale de réponse à 0,2 seconde (Ss aux É-U. ou Sa(0,2) au Canada) applicable à votre site.</li> <li>Utiliser des boulons grade 5 de 3/8 po et des rondelles appropriées.</li> <li>Pour développer la résistance totale des ancrs, serrer les boulons au couple spécifié par leur fabricant.</li> <li>Se reporter aux directives d'utilisation pour obtenir les directives d'installation anti-séisme.</li> </ul>

Figure 11 : Exigences d'ancrage anti-séisme pour les coffrets à montage au sol, étiquette 80463-018-01

Seismic Anchorage Location  
 Ubicación de los sujetadores antisísmicos  
 Emplacements d'ancrage anti-séisme





#### Seismic Anchorage Requirements

- To maintain Seismic Qualification each individual section must be anchored at the floor locations shown above.
- For seismic hazard areas with an Ss acceleration value in excess of 2.67g (New Madrid Seismic Hazard Area) each individual section must be laterally braced at the top. Refer to the current International Building Code, ASCE/SEI 7, or the National Building Code of Canada for the location-specific values of the 0.2 second spectral value of acceleration (Ss for the U.S. or Sa(0.2) for Canada).
- Use 1/2" or 3/4" SAE Grade 5 bolts (supplied by others) and the appropriate Belleville Spring washers (supplied with the equipment). In order to develop full strength of the anchor, torque bolts to the value specified by the anchor manufacturer.
- Refer to instruction manual for installation instructions.

#### Requisitos de los sujetadores antisísmicos


- Para mantener la calificación sísmica, cada sección individual debe ser sujetada al piso en las ubicaciones que muestra la figura anterior.
- En zonas de riesgo sísmico con un valor de aceleración Ss mayor que 2,67g (zona de riesgo sísmico de Nuevo Madrid), cada sección individual debe ser reforzada por los lados en la parte superior. Consulte el código de construcción internacional actual, ASCE/SEI 7, o bien, el código de construcción nacional de Canadá para obtener los valores de la ubicación específica para la aceleración espectral de 0,2 segundo (Ss para los EUA o Sa(0,2) para Canadá).
- Emplee tornillos de 12 mm (0,5 pulg) o 19 mm (0,75 pulg) SAE grado 5 (provistos por terceros) y rondanas de resorte Belleville apropiadas incluidas con el equipo. Para obtener la máxima resistencia de los herrajes de sujeción, apriételes en los valores especificados por el fabricante.
- Consulte el boletín para obtener las instrucciones de instalación.

#### Exigences d'ancrage anti-séisme

- Pour maintenir la qualification anti-séisme, chaque section doit être ancrée aux emplacements du sol indiqués ci-dessus.
- Une valeur d'accélération Ss supérieure à 2,67 g (zone sismique de New Madrid), chaque section individuelle doit être ancrée latéralement au haut. Se reporter au code de construction international (International Building Code), ASCE/SEI 7 ou au Code national du bâtiment du Canada en vigueur pour la valeur d'accélération spectrale de réponse à 0,2 seconde (Ss aux É-U. ou Sa(0,2) au Canada), applicable à votre site.
- Utiliser des boulons SAE grade 5 de 12 mm (1/2 po) ou 19 mm (3/4 po) (fournis par des tiers) et les rondelles de sûreté Belleville appropriées fournies avec l'appareil. Pour exploiter la résistance totale des ancrs, serrer les boulons au couple spécifié par leur fabricant.
- Se reporter aux directives d'utilisation pour obtenir les directives d'installation

80463-018-01 REV -

Figure 12 : Exigences d'attache latérale pour les coffrets à montage au sol, étiquette 80463-019-01



● Seismic Anchorage Location  
Ubicación de los sujetadores antisísmicos  
Emplacements d'ancrage anti-séisme

**Seismic Anchorage Requirements**

- For seismic hazard areas with an Ss acceleration value in excess of 2.67g (New Madrid Seismic Hazard Area) each individual section must be laterally braced at the top and connected to the building load bearing structural system. Refer to the current International Building Code, ASCE/SEI 7, or the National Building Code of Canada for the location-specific values of the 0.2 second spectral value of acceleration (Ss for the U.S. or Sa(0.2) for Canada).
- Remove lifting bracket, after the section enclosure has been installed, and attach lateral brace (supplied by others), re-using bolt and lock washer or user supplied hardware.
- Each section must also be anchored at the base (as shown on the instruction label located on the inside of the bottom located horizontal wire-way cover plate).
- Refer to instruction manual for installation instructions.

**Requisitos de los sujetadores antisísmicos**

- En zonas de riesgo sísmico con un valor de aceleración Ss mayor que 2,67g (zona de riesgo sísmico de Nuevo Madrid), cada sección individual debe ser reforzada por los lados en la parte superior y conectada al sistema estructural de soporte de carga del edificio. Consulte el código de construcción internacional actual, ASCE/SEI 7, o bien, el código de construcción nacional de Canadá para obtener los valores de la ubicación específica para la aceleración espectral de 0,2 segundo (Ss para los EUA o Sa(0,2) para Canadá).
- Retire el soporte de levantamiento después de haber instalado el gabinete de la sección y conecte el soporte lateral (provisto por terceros); vuelva a usar el tornillo y la roldana de sujeción, o bien, los herrajes provistos por el usuario.
- Cada sección debe también ser sujeta a la base como se ilustra en la etiqueta de instrucciones, situada en el interior, en la placa protectora de la canalización de cables horizontal inferior.
- Consulte el boletín para obtener las instrucciones de instalación.

**Exigences d'ancrage anti-séisme**

- Pour les régions avec risque de séisme ayant une valeur d'accélération Ss supérieure à 2,67 g (zone sismique de New Madrid), chaque section individuelle doit être ancrée latéralement au haut et raccordée au système structural portant la charge de l'immeuble. Se reporter au code de construction international (International Building Code), ASCE/SEI 7 ou au Code national du bâtiment du Canada en vigueur pour la valeur d'accélération spectrale de réponse à 0,2 seconde (Ss aux É-U. ou Sa(0,2) au Canada), applicable à votre site.
- Enlever le support de levage après avoir installé l'armoire de la section et attacher l'ancre latérale (fournie par des tiers) réutilisant le boulon et la rondelle de sûreté ou à l'aide de la quincaillerie fournie par l'utilisateur.
- Chaque section doit être également ancrée à la base (comme indiqué sur l'étiquette de directives placée à l'intérieur de la plaque de recouvrement de la goulotte guide-fils verticale inférieure).
- Se reporter aux directives d'utilisation pour obtenir les directives d'installation

80463-019-01 REV -

FRANÇAIS

## Poids

Tableau 11 : Valeurs nominales et poids des contrôleurs 22 sous coffret (B05)

Valeur nominale du contrôleur			Poids lb (kg)	Référence de taille d'armoire
40 °C (104 °F) HP	UL Type 3R ou 50 °C (122 °F) HP	V		
3-10	3-10	208	63 (28)	A
5-15	5-10	230		
10-30	10-25	460		
15-40	15-30	575		
15-25	10-20	208	68 (30)	
20-30	15-25	230		
40-60	30-50	460		
50-75	40-60	575		
30-50	25-40	208	98 (44)	B
40-60	30-50	230		
75-125	60-100	460		
100-150	75-125	575		



**Tableau 11 : Valeurs nominales et poids des contrôleurs 22 sous coffret (B05) (suite)**

Valeur nominale du contrôleur			Poids lb (kg)	Référence de taille d'armoire
40 °C (104 °F) HP	UL Type 3R ou 50 °C (122 °F) HP	V		
60–125	50–100	208	200 (91)	D
75–150	60–125	230		
150–300	125–250	460		
200–300	150–300	575		
150	125	208	492 (223)	E
200	150	230		
350–400	300–350	460		
400–500	350–400	575		

**Tableau 12 : Valeurs nominales et poids des contrôleurs 22 sous coffret<sup>1</sup> (S05, N05, R05, Y05)**

Valeur nominale du contrôleur			Poids lb (kg)	Référence de taille d'armoire
40 °C (104 °F) HP	UL Type 3R ou 50 °C (122 °F) HP	V		
3–10	3–10	208	125 (57)	B
5–15	5–10	230		
10–30	10–25	460		
15–40	15–30	575		
15–25	15–20	208	160 (73)	C
20–30	15–25	230		
40–60	30–50	460		
50–75	40–60	575		
30–50	25–40	208	205 (93)	D
40–60	30–50	230		
75–125	60–100	460		
100–150	75–125	575		
60–125	50–100	208	830 (376)	F
75–150	60–125	230		
150–300	125–250	460		
200–300	150–300	575		
150	125	208	976 (443)	G
200	150	230		
350–400	300–350	460		
400–500	350–400	575		

<sup>1</sup> Le poids indiqué est pour le circuit d'alimentation Y05 (contournement intégré) et peut être différent pour différentes options d'alimentation et les diverses options sélectionnées.

FRANÇAIS

## Centre de gravité

Les informations sur le centre de gravité sont fournies à titre de référence de montage et de considération dans une analyse structurale. Les informations sont fournies avec référence à l'angle inférieur gauche (montage mural) ou droit (montage au sol) des contrôleurs. Voir la figure 13.

Figure 13 : Centre de gravité

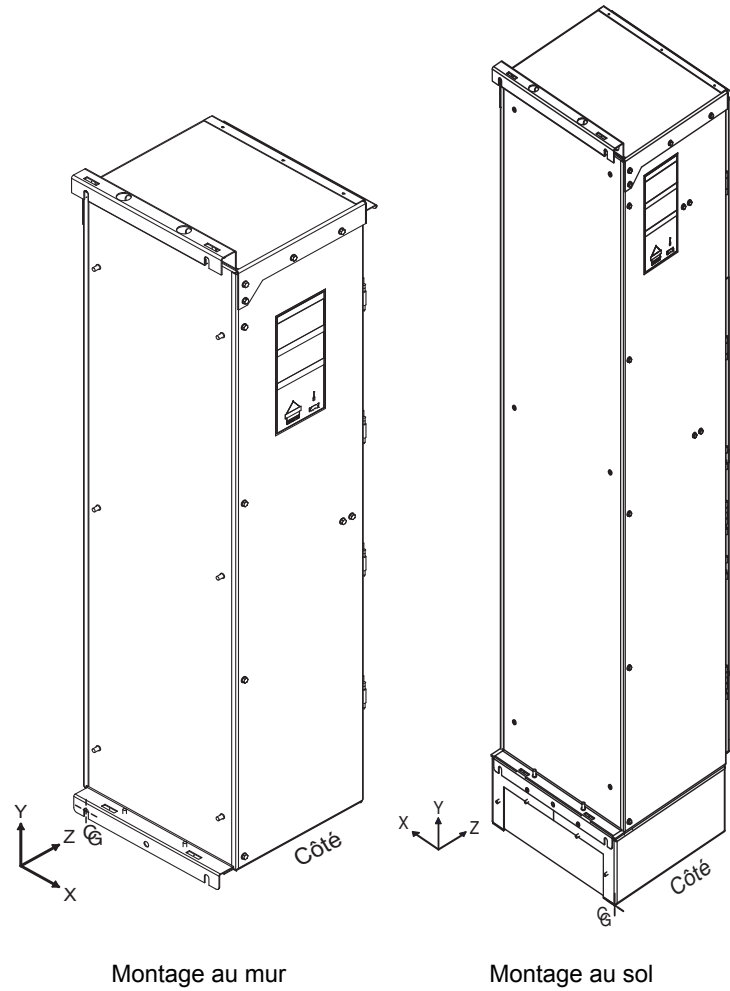


Tableau 13 : Centre de gravité (B05)

Valeur nominale du contrôleur			X po (mm)	Y po (mm)	Z po (mm)	Référence de taille d'armoire
40 °C (104 °F) HP	UL Type 3R ou 50 °C (122 °F) HP	V				
3–25	15–20	208	4,6 (116,8)	15,4 (391,2)	6,7 (170,2)	A
5–30	15–25	230				
10–60	30–50	460				
15–75	40–60	575				
30–50	25–40	208	4,9 (124,5)	26,6 (675,6)	7,8 (177,8)	B
40–60	30–50	230				
75–125	60–100	460				
100–150	75–125	575				
60–125	50–100	208	5,9 (149,9)	35,0 (889,0)	8,1 (205,7)	D
75–150	60–125	230				
150–300	125–250	460				
200–300	150–300	575				
150	125	208	10,8 (274,3)	54,8 (1391,9)	9,8 (228,6)	E
200	150	230				
350–400	300–350	460				
400–500	350–400	575				

Tableau 14 : Centre de gravité (S05, N05, R05, Y05)<sup>1</sup>

Valeur nominale du contrôleur			X po (mm)	Y po (mm)	Z po (mm)	Référence de taille d'armoire
40 °C (104 °F) HP	UL Type 3R ou 50 °C (122 °F) HP	V				
3–10	3–10	208	5,6 (142,2)	24,6 (624,8)	7,6 (193,0)	B
5–15	5–10	230				
10–30	10–25	460				
15–40	15–30	575				
15–25	15–20	208	5,8 (147,3)	26,7 (678,2)	7,2 (182,9)	C
20–30	15–25	230				
40–60	30–50	460				
50–75	40–60	575				
30–50	25–40	208	6,5 (165,1)	33,3 (845,8)	8,0 (203,2)	D
40–60	30–50	230				
75–125	60–100	460				
100–150	75–125	575				
60–125	50–100	208	13,4 (340,4)	53,8 (1366,5)	8,9 (226,1)	F
75–150	60–125	230				
150–300	125–250	460				
200–300	150–300	575				
150	125	208	15,9 (403,9)	52,7 (1338,6)	10,2 (259,1)	G
200	150	230				
350–400	300–350	460				
400–500	350–400	575				

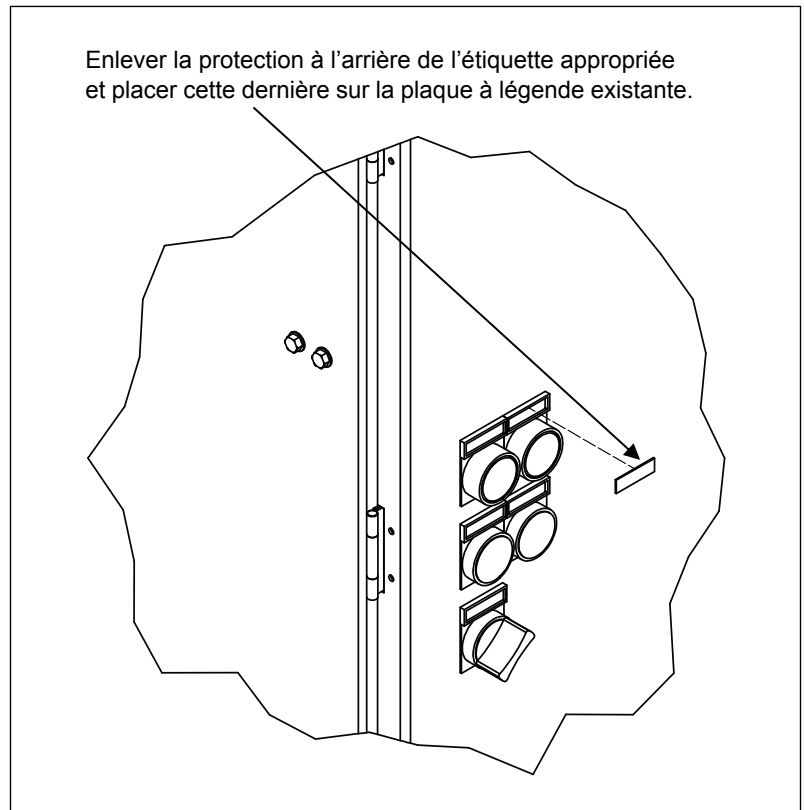
<sup>1</sup> Les mesures du centre de gravité sont fournies pour le circuit d'alimentation Y05 (contournement intégré) et peuvent différer pour différentes options d'alimentation et options diverses choisies.

## Kit de plaque à légende en trois langues

Un kit de plaque à légende en trois langues est inclus dans le paquet de directives du contrôleur 22 sous coffret. Le kit concerne les applications qui nécessitent que l'opérateur et le voyant aient des plaques à légende en espagnol ou en français.

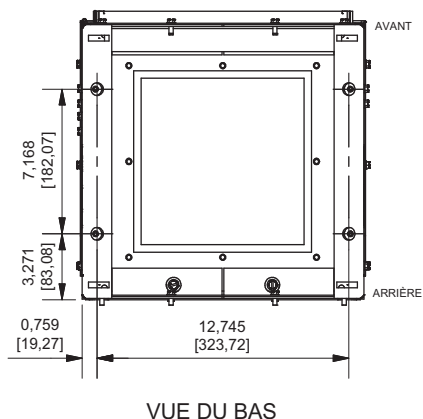
Choisir l'étiquette appropriée dans le kit et la placer sur la plaque à légende existante.

**Figure 14 : Installation de l'étiquette**



## Installation du kit de montage au sol en option (MOD A10)

Figure 15 : Trous de montage des ancrages (Kit de montage au sol) (po [mm])



Le kit de montage au sol en option est disponible pour toutes les options d'alimentation dans les coffrets taille D. Se reporter aux tableaux 11 et 12 aux pages 34 et 35 pour le circuit d'alimentation, le type d'armoire et la gamme de puissance.

### ⚠ AVERTISSEMENT

#### RISQUE DE CULBUTE ET D'ÉCRASEMENT

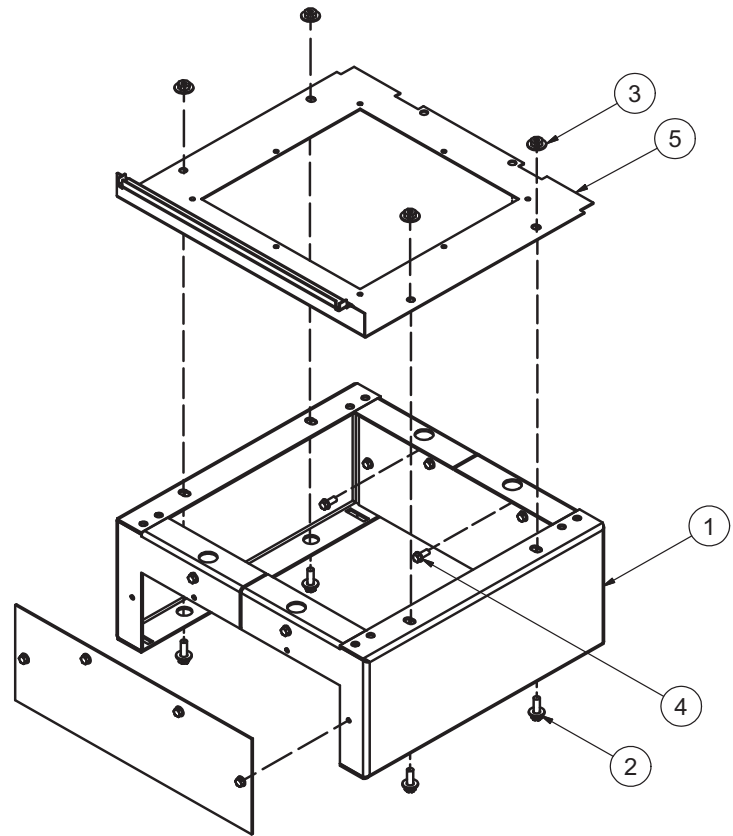
- Observez toutes les pratiques recommandées lors de l'ancrage et de la fixation d'un appareil anti-séisme.
- Remplacez tous les couvercles et fermez soigneusement les portes avant de mettre l'appareil en service.

**Si ces directives ne sont pas respectées, cela peut entraîner la mort, des blessures graves ou des dommages matériels.**

Le kit est livré avec le contrôleur 22 sous coffret dans un paquet séparé et comprend la quincaillerie nécessaire pour le montage de l'assemblage. Pour installer le kit (se reporter à la figure 16 à la page 40 pour les articles numérotés) :

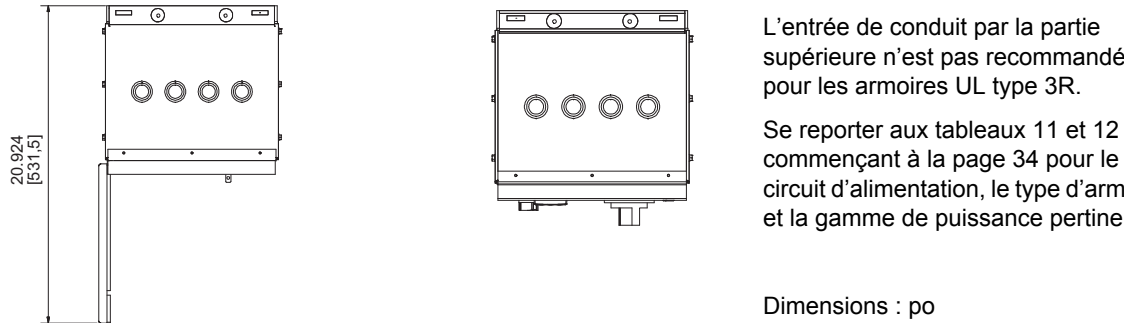
1. Retirer les vis de coffrage fixant l'armoire à la palette de transport avant d'attacher le kit de montage au sol.
2. Retirer les quatre vis (2) attachées à la plaque inférieure (5) de l'armoire.
3. À l'aide des écrous (3) fournis, attacher le kit de montage au sol (1) à la plaque inférieure (5) de l'armoire. Ouvrir la porte de l'armoire et serrer l'assemblage boulonné au couple de serrage de 6,8 à 8,1 N•m (60 à 72 lb-po).
4. Attacher deux vis (4) à la bride inférieure de l'armoire. Serrer les vis au couple de serrage de 4,5 à 5,4 N•m (40 à 48 lb-po).
5. Fermer la porte de l'armoire. Le kit de montage au sol est installé et le contrôleur 22 sous coffret est prêt pour l'installation.

Figure 16 : Kit de montage au sol



## Dimensions

Figure 17 : Armoire taille A

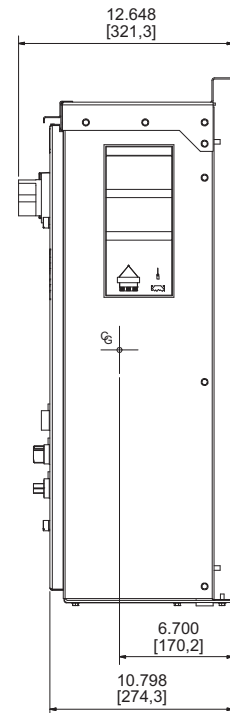
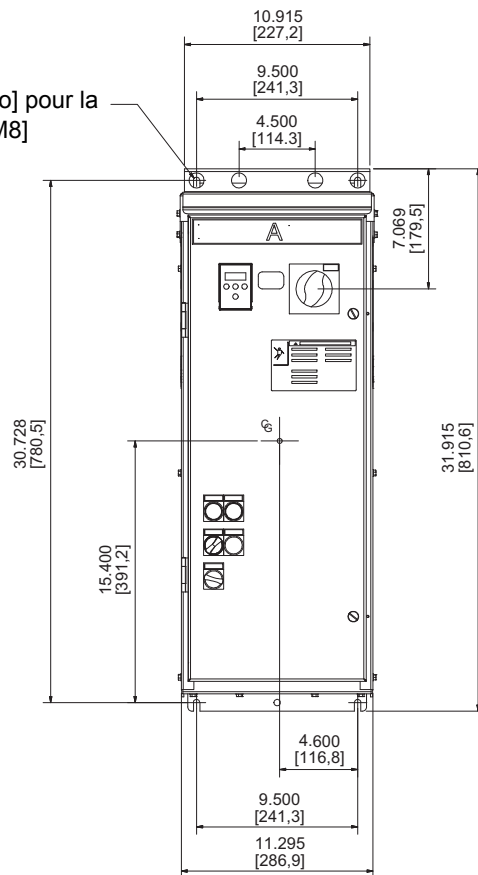


L'entrée de conduit par la partie supérieure n'est pas recommandée pour les armoires UL type 3R.

Se reporter aux tableaux 11 et 12 commençant à la page 34 pour le circuit d'alimentation, le type d'armoire et la gamme de puissance pertinents.

Dimensions : po [mm]

4 x Ø 9,5 mm [0,375 po] pour la quincaillerie de 5/16 [M8]



CG = Centre de gravité depuis la surface de montage

Pour conduit de 12,7 mm [1/2 po], de 19,1 mm [3/4 po] et de 25,4 mm [1 po]

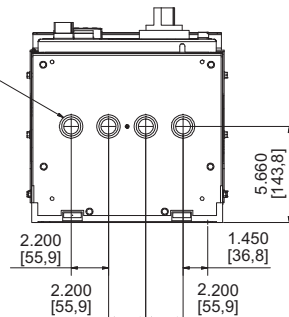


Figure 18 : Armoire taille B

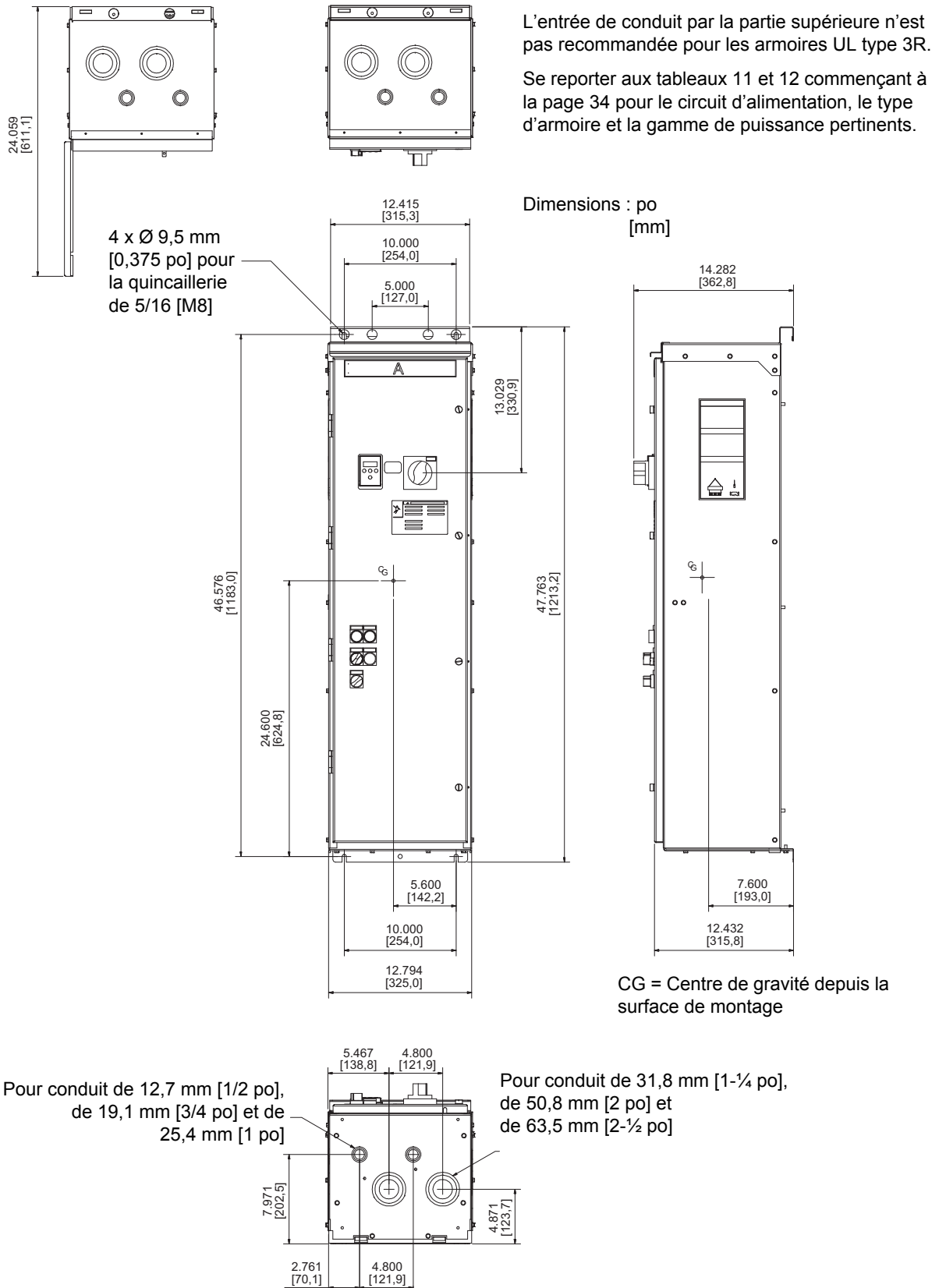
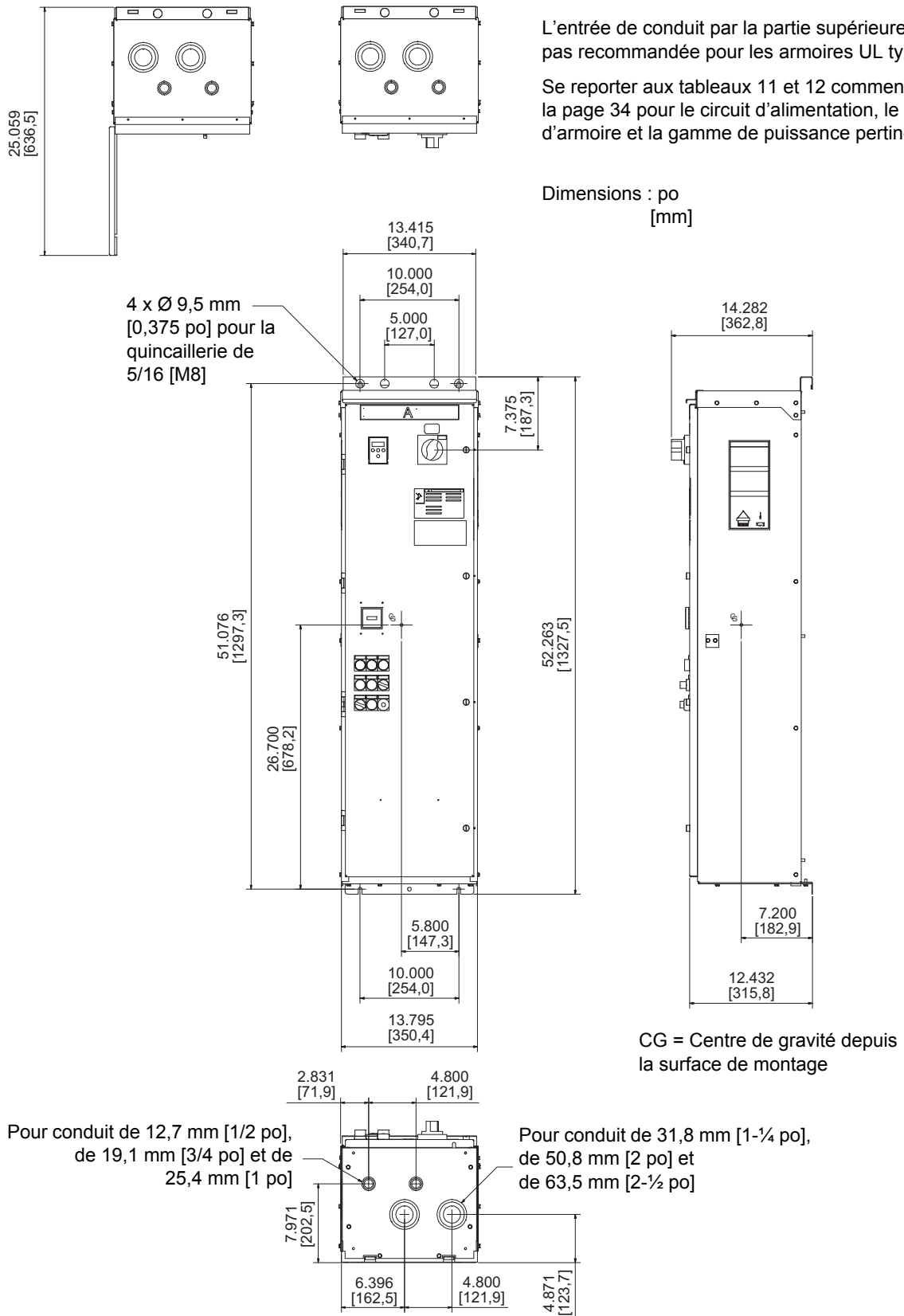




Figure 19 : Armoire taille C



FRANÇAIS

Figure 20 : Armoire taille D

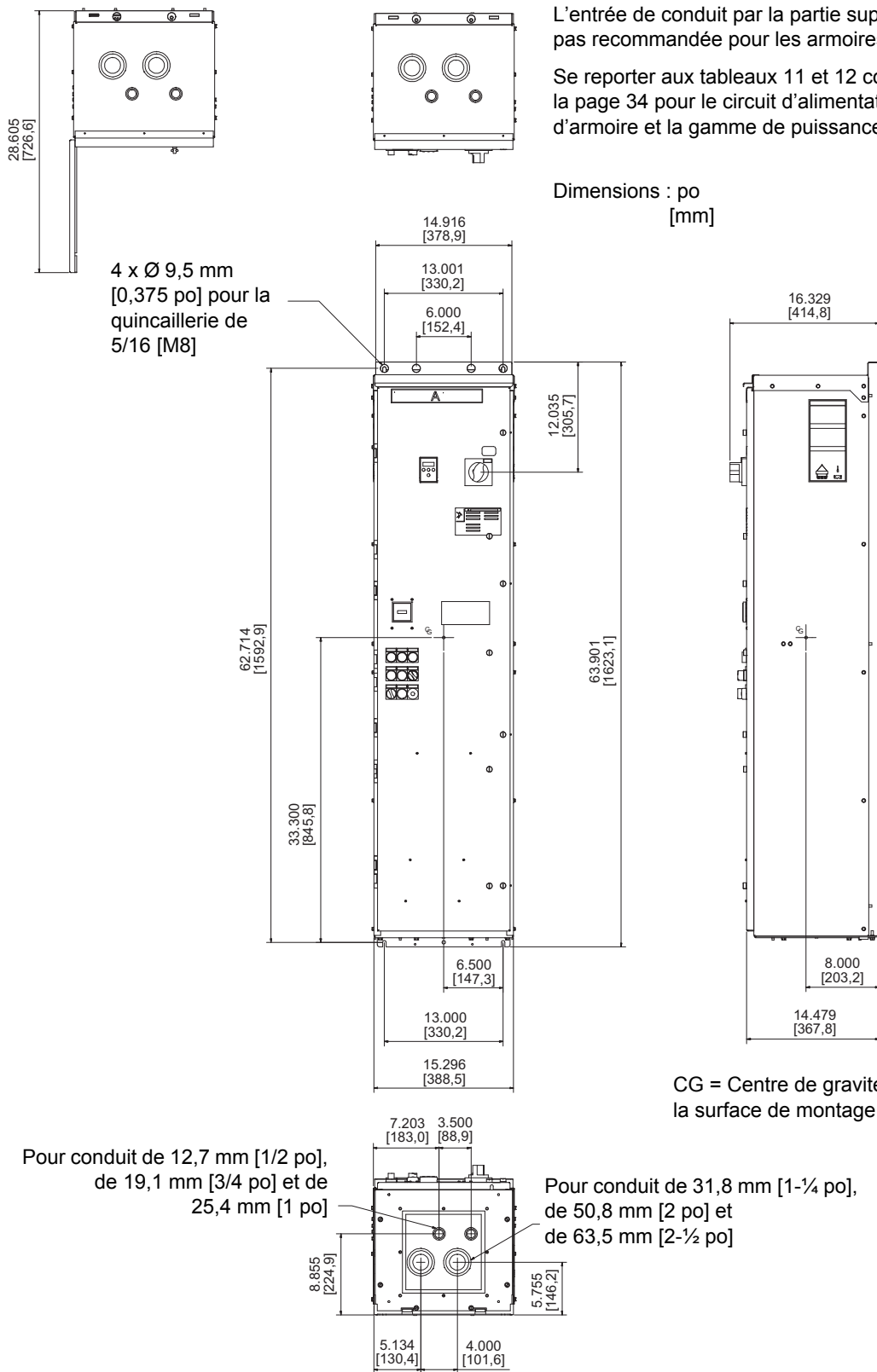
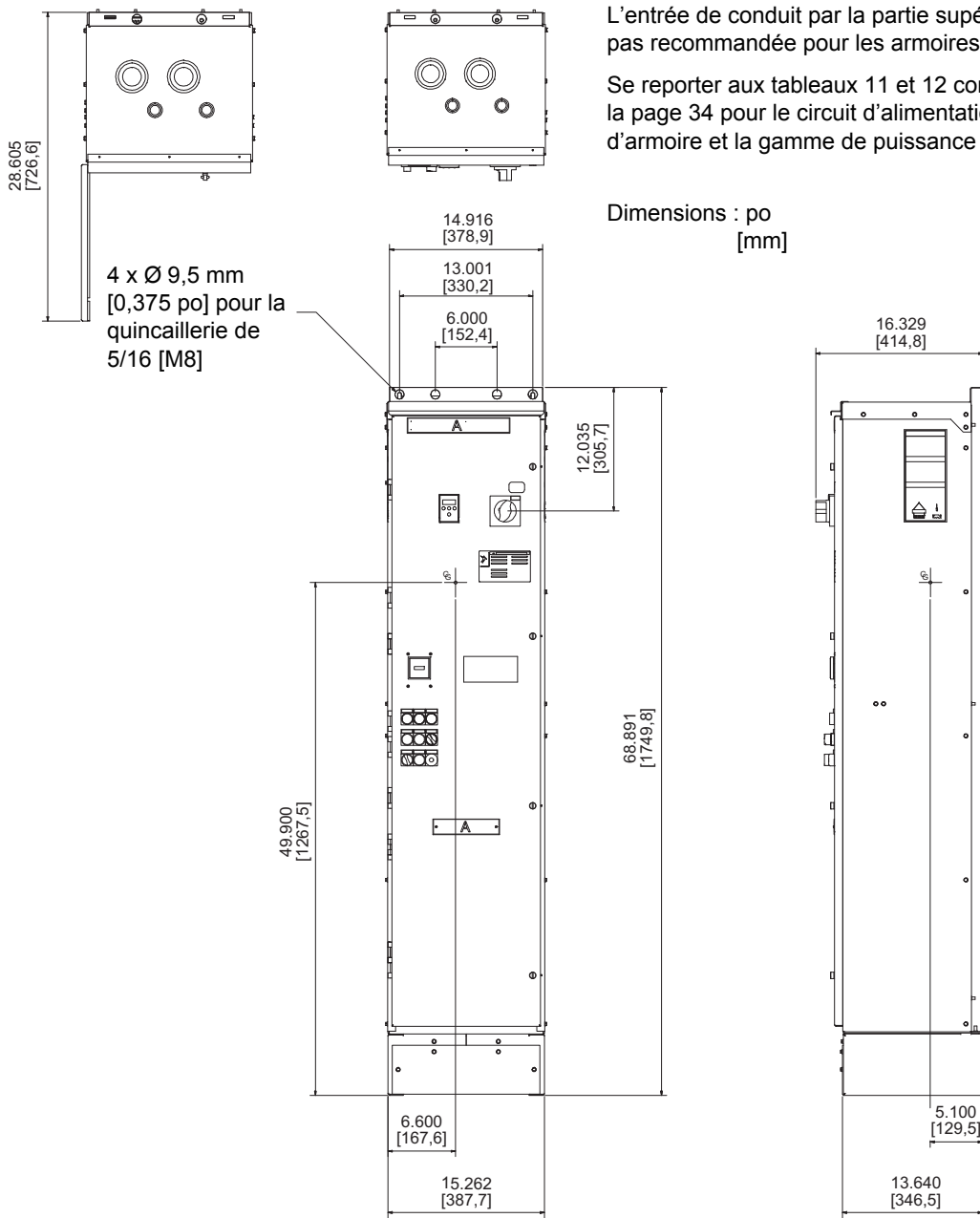


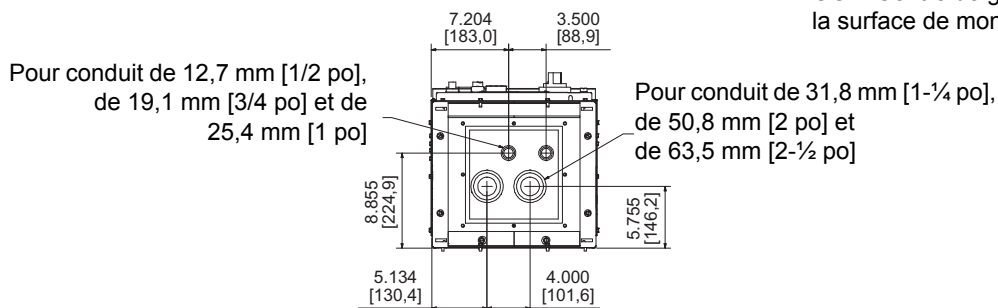
Figure 21 : Armoire taille D avec le kit de montage au sol



L'entrée de conduit par la partie supérieure n'est pas recommandée pour les armoires UL type 3R.

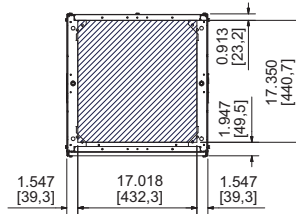
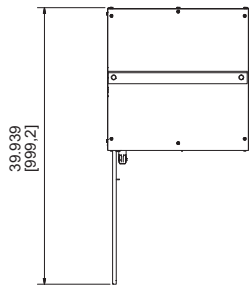
Se reporter aux tableaux 11 et 12 commençant à la page 34 pour le circuit d'alimentation, le type d'armoire et la gamme de puissance pertinents.

CG = Centre de gravité depuis la surface de montage



FRANÇAIS

Figure 22 : Armoire taille E, type 1 et 12



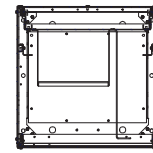
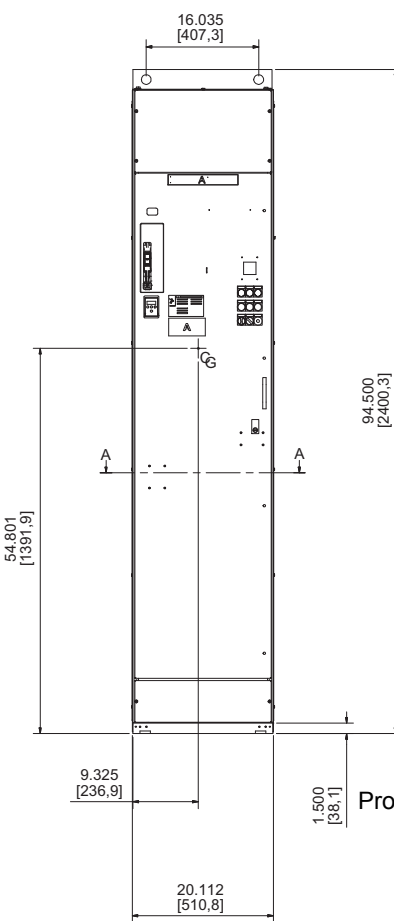
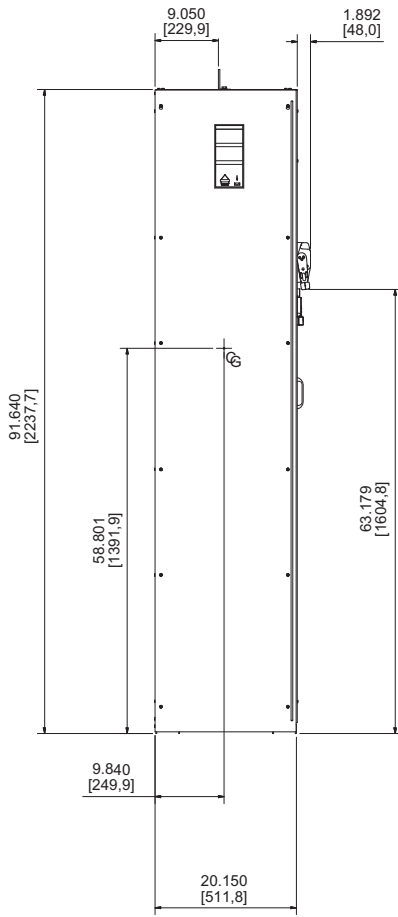
Entrée de conduit représentée dans la zone quadrillée.

Se reporter aux tableaux 11 et 12 commençant à la page 34 pour le circuit d'alimentation, le type d'armoire et la gamme de puissance pertinents.

Dimensions : po  
 [mm]

CG = Centre de gravité depuis la surface de montage

FRANÇAIS



Section A-A

Profilé de sol

Barre-bus de m.à.l.t. situé à 101,6 mm (4 po) au-dessus de la plaque inférieure

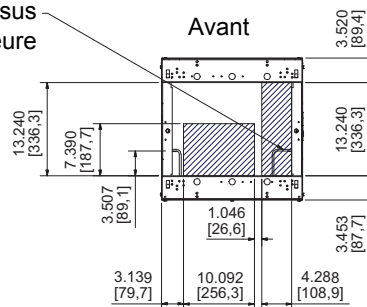
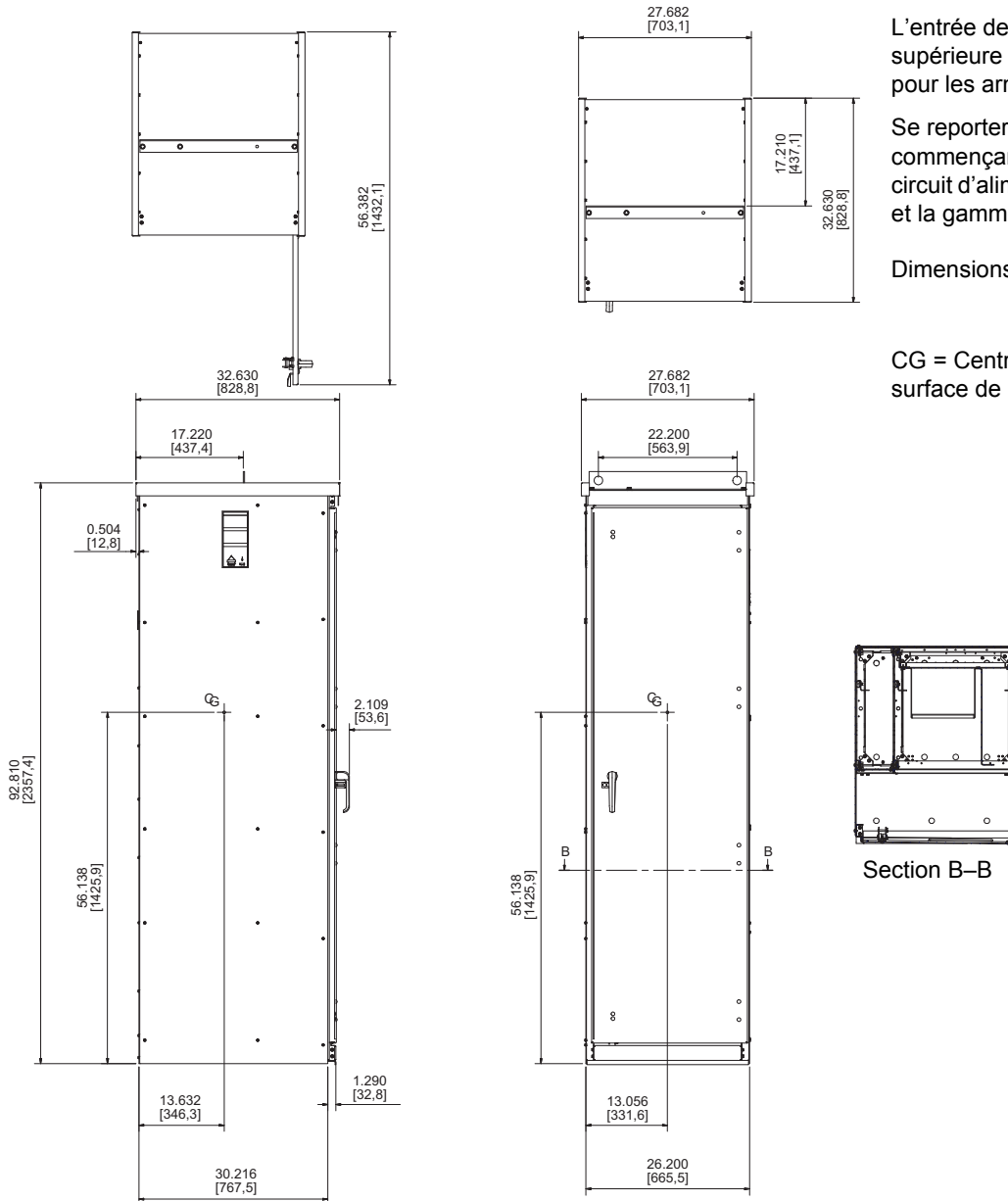


Figure 23 : Armoire taille E, type 3R



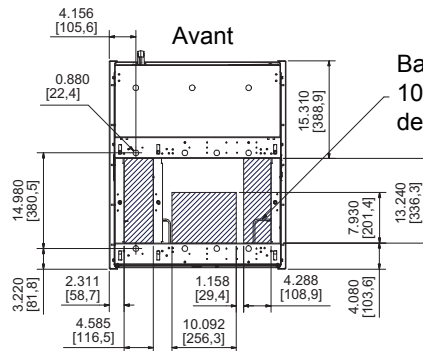
L'entrée de conduit par la partie supérieure n'est pas recommandée pour les armoires UL type 3R.

Se reporter aux tableaux 11 et 12 commençant à la page 34 pour le circuit d'alimentation, le type d'armoire et la gamme de puissance pertinents.

Dimensions : po  
 [mm]

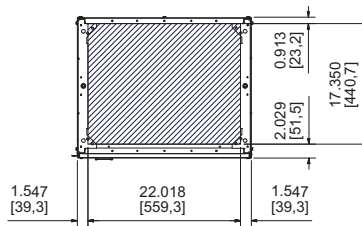
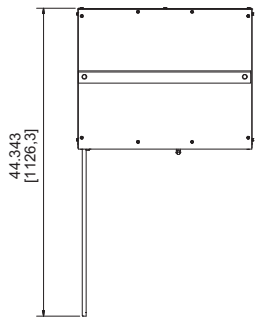
CG = Centre de gravité depuis la surface de montage

Entrée de conduit représentée dans la zone quadrillée.



Barre-bus de m.à.l.t. situé à 101,6 mm (4 po) au-dessus de la plaque inférieure

Figure 24 : Armoire taille F, type 1 et 12



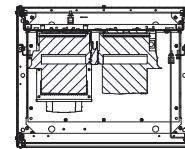
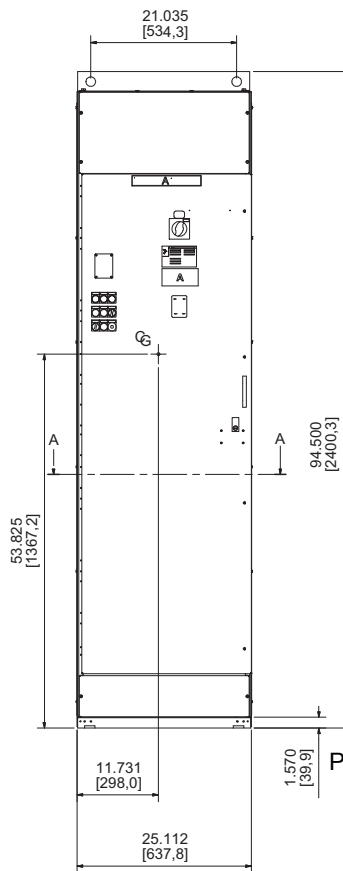
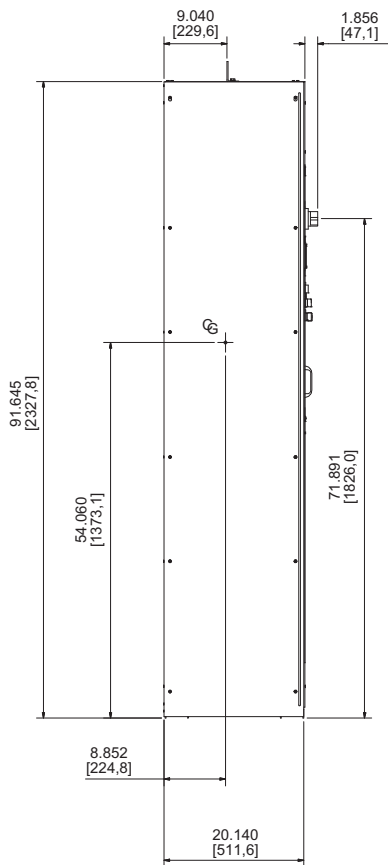
Entrée de conduit représentée dans la zone quadrillée.

Se reporter aux tableaux 11 et 12 commençant à la page 34 pour le circuit d'alimentation, le type d'armoire et la gamme de puissance pertinents.

Dimensions : po  
[mm]

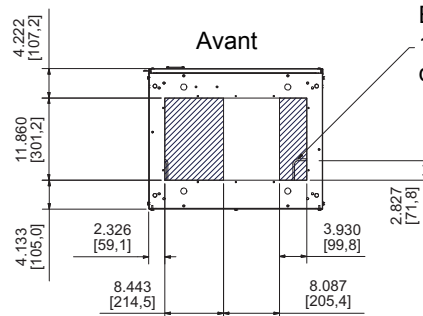
CG = Centre de gravité depuis la surface de montage

FRANÇAIS



Section A-A

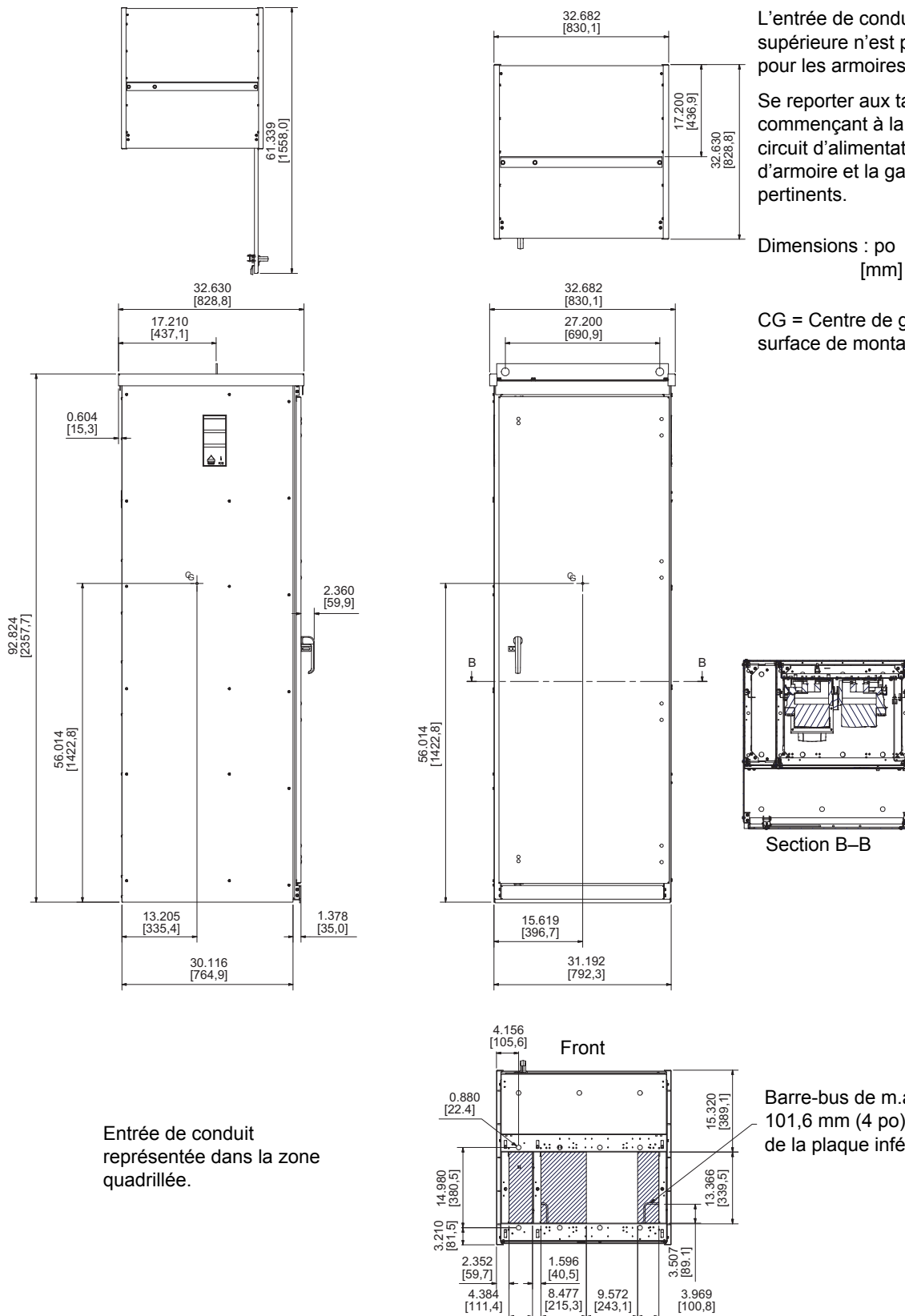
Profilé de sol



Avant

Barre-bus de m.à.l.t. situé à 101,6 mm (4 po) au-dessus de la plaque inférieure

Figure 25 : Armoire taille F, type 3R



L'entrée de conduit par la partie supérieure n'est pas recommandée pour les armoires UL type 3R.

Se reporter aux tableaux 11 et 12 commençant à la page 34 pour le circuit d'alimentation, le type d'armoire et la gamme de puissance pertinents.

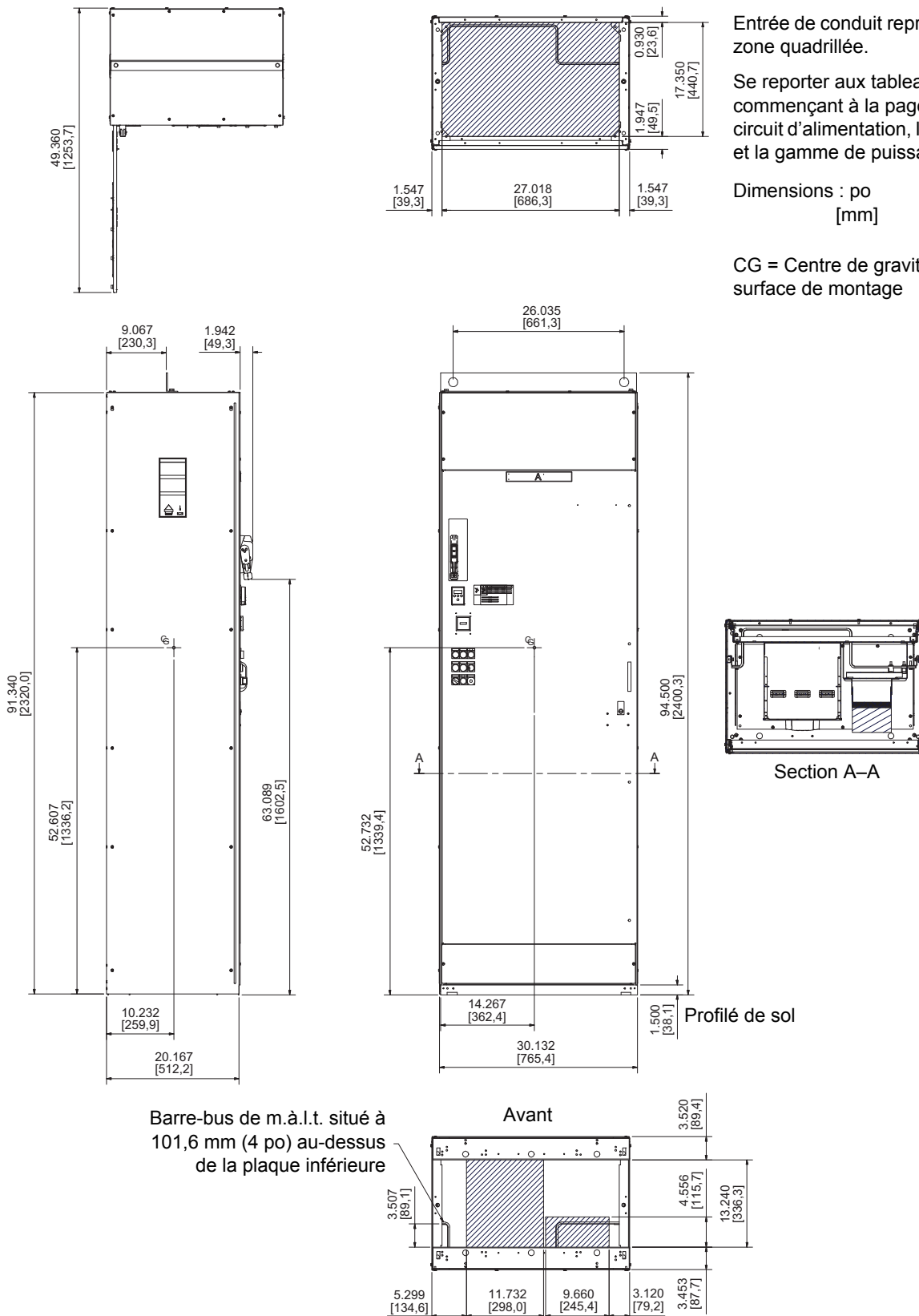
Dimensions : po  
 [mm]

CG = Centre de gravité depuis la surface de montage

Entrée de conduit représentée dans la zone quadrillée.

Barre-bus de m.à.l.t. situé à 101,6 mm (4 po) au-dessus de la plaque inférieure

Figure 26 : Armoire taille G, type 1 et 12



Entrée de conduit représentée dans la zone quadrillée.

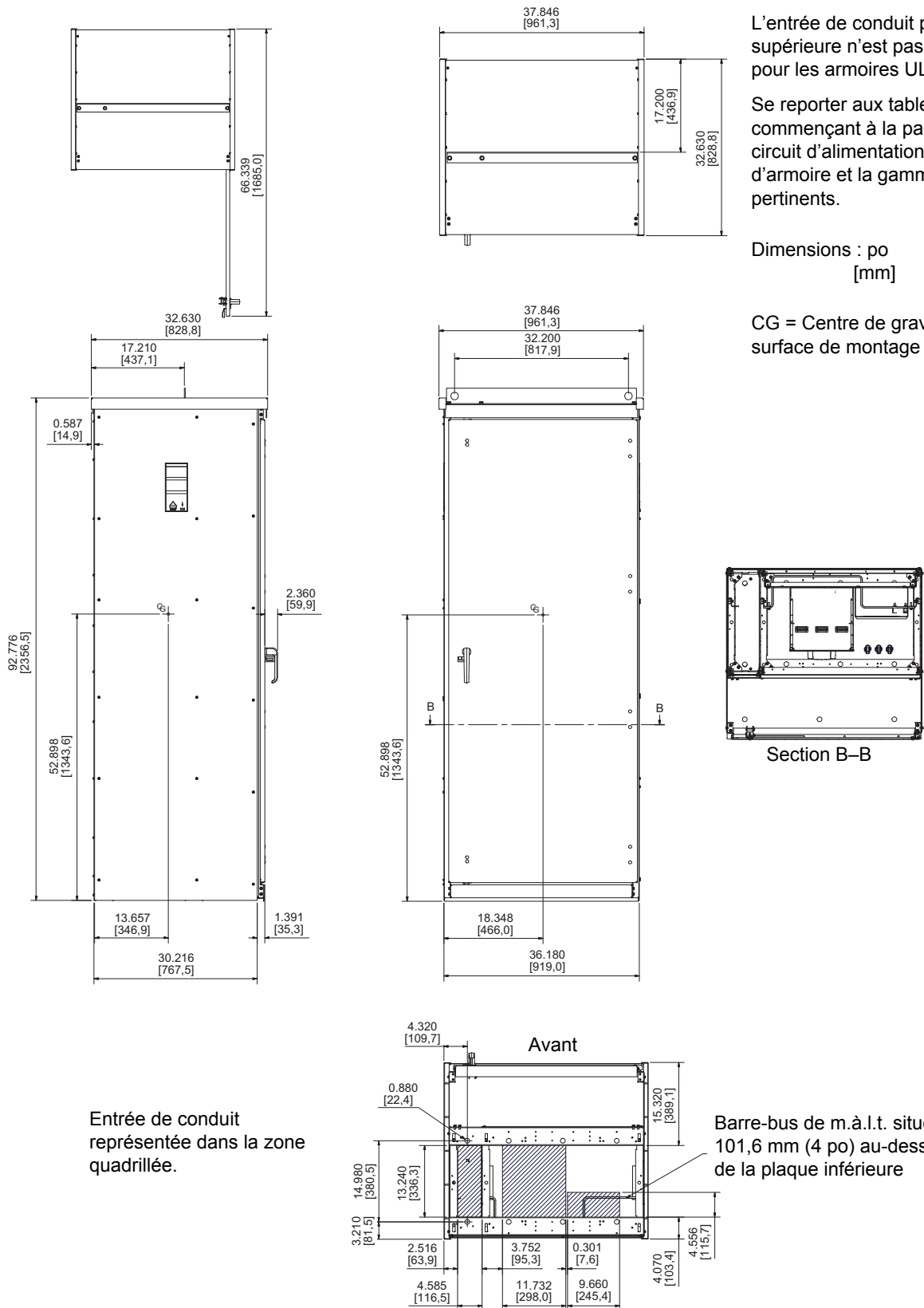
Se reporter aux tableaux 11 et 12 commençant à la page 34 pour le circuit d'alimentation, le type d'armoire et la gamme de puissance pertinents.

Dimensions : po  
[mm]

CG = Centre de gravité depuis la surface de montage



Figure 27 : Armoire taille G, type 3R



L'entrée de conduit par la partie supérieure n'est pas recommandée pour les armoires UL type 3R.

Se reporter aux tableaux 11 et 12 commençant à la page 34 pour le circuit d'alimentation, le type d'armoire et la gamme de puissance pertinents.

Dimensions : po  
[mm]

CG = Centre de gravité depuis la surface de montage

Entrée de conduit représentée dans la zone quadrillée.

Barre-bus de m.à.l.t. situé à 101,6 mm (4 po) au-dessus de la plaque inférieure

## Installation électrique

### ⚠ DANGER

#### RISQUE D'ÉLECTROCUTION, D'EXPLOSION OU D'ÉCLAIR D'ARC

- Coupez toute alimentation (principale et à distance) avant d'installer l'appareil.
- Lisez et comprenez les précautions dans la section « Avant de commencer » à la page 8 avant d'effectuer les procédures dans cette section.

**Si ces directives ne sont pas respectées, cela entraînera la mort ou des blessures graves.**

## Méthodes générales de câblage

Une bonne méthode de câblage demande la séparation du câblage du circuit de commande de tout câblage d'alimentation. **Ne pas faire passer le câblage d'alimentation et de contrôle ou plusieurs câblages d'alimentation dans le même conduit.** Cette séparation diminue la possibilité de coupler les courants électriques transitoires provenant des circuits d'alimentation avec les circuits de contrôle ou provenant du câblage d'alimentation au moteur avec les autres circuits d'alimentation.

### ⚠ ATTENTION

#### RISQUE DE CÂBLAGE INCORRECT

Suivez les méthodes de câblage décrites dans ce document en plus des méthodes imposées par le Code national de l'électricité (NEC; É.-U.) ainsi que les codes électriques locaux.

**Si ces directives ne sont pas respectées, cela peut entraîner des blessures ou des dommages matériels.**

Lors du câblage du contrôleur 22 sous coffret :

- Utiliser les débouchures identifiées aux figures 17–21, ou perforer des trous de conduits aux endroits spécifiés aux figures 22–27 pour le câblage de contrôle et d'alimentation.
- Utiliser des conduits métalliques pour tout câblage du contrôleur. Ne pas installer le câblage de commande et d'alimentation dans le même conduit.
- Séparer d'au moins 76 mm (3 po) les conduits métalliques qui contiennent le câblage d'alimentation ou le câblage de contrôle à faible intensité.
- Séparer d'au moins 305 mm (12 po) les conduits non métalliques ou les caniveaux existants qui contiennent le câblage d'alimentation des conduits métalliques qui contiennent le câblage de contrôle à faible intensité.
- Les conduits métalliques et les conduits ou caniveaux non métalliques portant le câblage d'alimentation et de contrôle doivent toujours se croiser à angle droit.
- Utiliser des manchons de conduit étanches pour faire des raccordements entre le conduit et les armoires UL type 3R. Les raccordements de conduits par le haut de l'armoire ne sont pas recommandés.

## Câblage d'entrée

Dimensionner les conducteurs d'alimentation d'entrée selon le courant admissible conformément au code national de l'électricité (É.-U. et Mexique) ou le Code canadien de l'électricité et les codes locaux en vigueur en fonction du courant pleine charge du moteur.

Raccorder les conducteurs de l'alimentation du secteur au bornes L1, L2 et L3 au haut du disjoncteur.

## Mise à la terre

Mettre à la terre le contrôleur 22 sous coffret conformément au Code national de l'électricité (NEC; É.-U.) ou le Code canadien de l'électricité (CCE) et aux codes locaux. Pour mettre à la terre le contrôleur :

- Connecter un fil de cuivre de la borne de la barre de m.à.l.t. à la terre du système d'alimentation.
- Vérifier si la résistance à la terre est de 1  $\Omega$  ou moins. Une mise à la terre défectueuse provoque un fonctionnement intermittent et non fiable.

**⚠ DANGER**

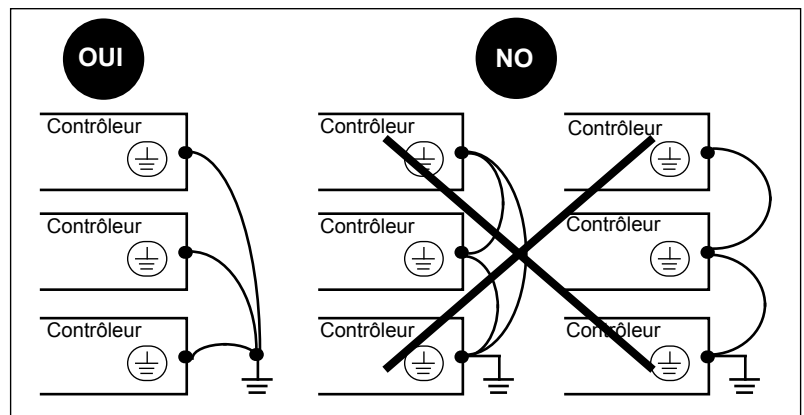
**RISQUE D'ÉLECTROCUTION, D'EXPLOSION OU D'ÉCLAIR D'ARC**

- Mettez l'appareil à la terre en utilisant le point de raccordement de m.à.l.t. fourni, comme indiqué aux figures 33 à 37 (pages 60 à 64). Le panneau du contrôleur doit être mis à la terre avant de le mettre sous tension.
- N'utilisez pas le conduit métallique comme conducteur de m.à.l.t.

**Si ces directives ne sont pas respectées, cela entraînera la mort ou des blessures graves.**

Mettre plusieurs contrôleurs à la terre comme indiqué à la figure 28. Utiliser un conducteur de m.à.l.t. par dispositif. Ne pas mettre les conducteurs de mise à la terre en boucle ni en série.

Figure 28 : Mise à la terre de plusieurs contrôleurs



## Câblage de sortie

Dimensionner les conducteurs d'alimentation du moteur selon le courant admissible en fonction du courant pleine charge du moteur conformément au NEC (É.-U.) ou au CCE et les codes locaux en vigueur.

- Selon le circuit de contrôle choisi, raccorder les conducteurs du moteur aux bornes T1, T2 et T3 au bas du démarreur progressif, du relais de surcharge ou du bloc de distribution.
- Raccorder la terre du moteur à la barre de m.à.l.t. fournie. Voir les figures 33 à 39 (pages 60 à 64).
- Ne pas utiliser le contrôleur 22 sous coffret dans des applications où des câbles de sortie extrêmement longs sont requis. La longueur maximale d'un câble de sortie pour les moteurs de service standard est de 400 m (1300 pi). Pour les applications qui dépassent cette longueur de câble, consulter votre représentant des ventes local Schneider Electric.

## Acheminement des fils et interconnexion

### Classe de fil

La classe de fil décrit la compatibilité de la borne de câblage sur place avec le matériau et le système d'isolation des conducteurs. Lorsqu'elle est utilisée avec le courant nominal requis pour les conducteurs et la température ambiante nominale du contrôleur, la classe de fil forme la base pour la sélection d'un calibre de conducteur, qui limite à une gamme acceptable la température sur l'isolation des conducteurs à la borne de câblage sur place. Des conducteurs avec des températures de fonctionnement qui dépassent celles spécifiées par la classe de fil peuvent être employés, mais le calibre de conducteur doit être choisi en fonction des limites de la classe de fil.

### Classification EMI

La classification EMI (interférence électromagnétique) catégorise les propriétés électromagnétiques des tensions et courants présents. Les six catégories de classification EMI déterminent la séparation physique et les méthodes de câblage appropriées. Voir les figures 29 à 32 aux pages 55 à 58 et le tableau 15 à la page 59.

#### Câblage silencieux 1 (QW1)

*Signaux de contrôle analogiques et numériques de haute sensibilité.* Les signaux de cette classification (QW1) comprennent des circuits numériques de communication et de réseau, des entrées/sorties analogiques du contrôleur et des signaux analogiques de traitement.

#### Câblage silencieux 2 (QW2)

*Signaux de contrôle analogiques et numériques de sensibilité moyenne.* Les signaux de cette classification (QW2) comprennent des circuits de contrôle de 24 Vcc et 24 V~.

#### Câblage standard 1 (SW1)

*Circuits de contrôle ou d'alimentation de faible sensibilité d'une puissance nominale inférieure à 600 V~ (250 Vcc) et de moins de 15 A* (les gammes de tension et de courant sont généralement contenues entre 0,05 et 9 kHz). Les signaux de cette classification (SW1) comprennent des circuits de contrôle de 120 V~.

#### Câblage standard 2 (SW2)

*Circuits d'alimentation d'une intensité nominale supérieure à 15 A* (les gammes de tension et de courant sont généralement contenues entre 0,05 et 9 kHz). Les signaux de cette classification (SW2) comprennent une alimentation de réseau vers les contrôleurs.

#### Câblage standard 3 (SW3)

Réservé.

#### Câblage d'impulsion 1 (PW1)

Circuits de contrôle ou d'alimentation dont les gammes de tension ou de courant dépassent manifestement 9 kHz. Les signaux de cette classification (PW1) comprennent des circuits de moteur et de freinage dynamique alimentés à partir de convertisseurs de puissance à modulateurs de largeur d'impulsions (PWM).

### Classe de tension

La classe de tension groupe les tensions présentes par catégories reconnues d'isolation des conducteurs (30, 150, 300 et 600 V) pour la sélection de la tension nominale d'isolation des conducteurs et aux fins de ségrégation physique.

Figure 29 : Acheminement des câbles du circuit d'alimentation B05 : Classification EMI

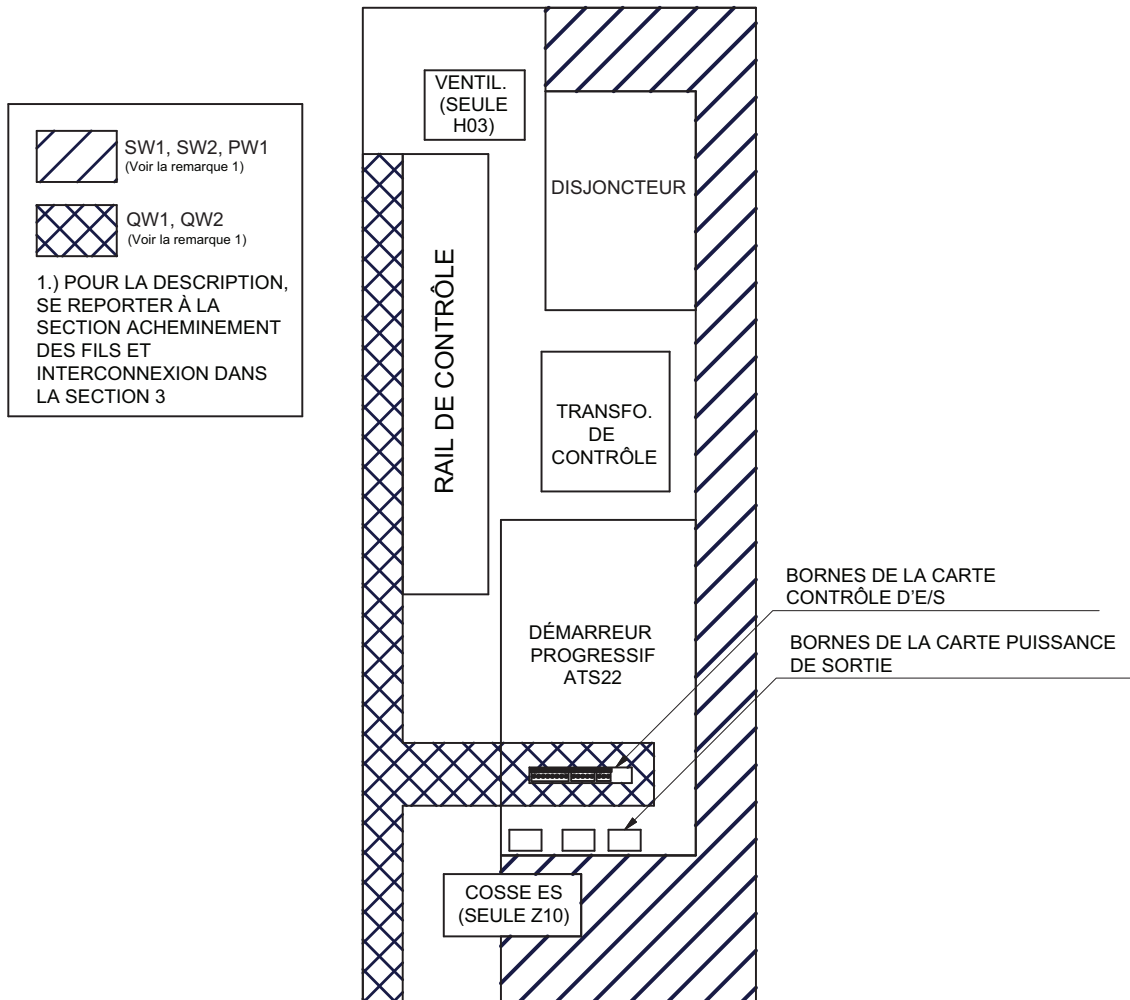


Figure 30 : Acheminement des câbles du circuit d'alimentation B05 : Classification EMI

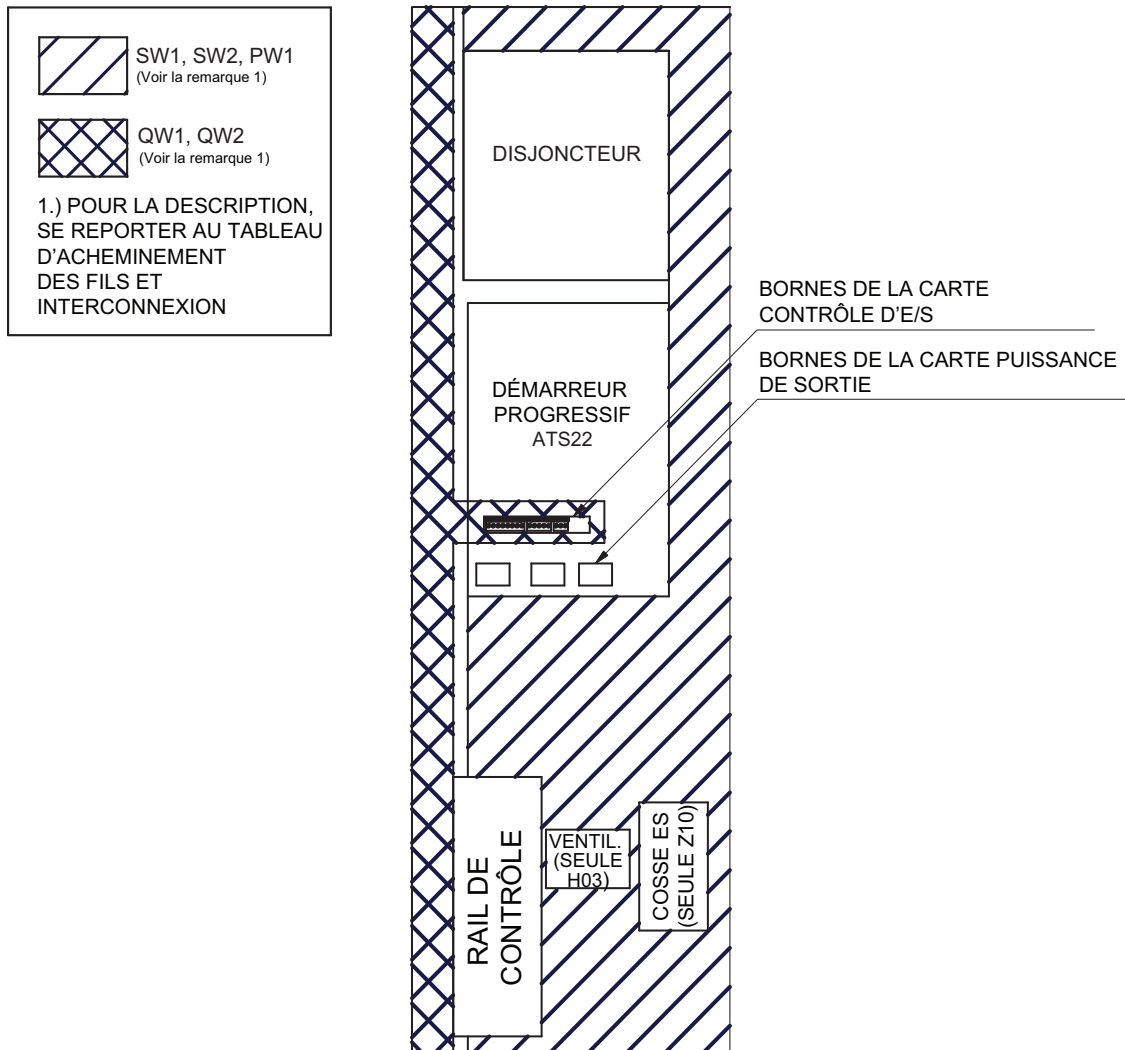
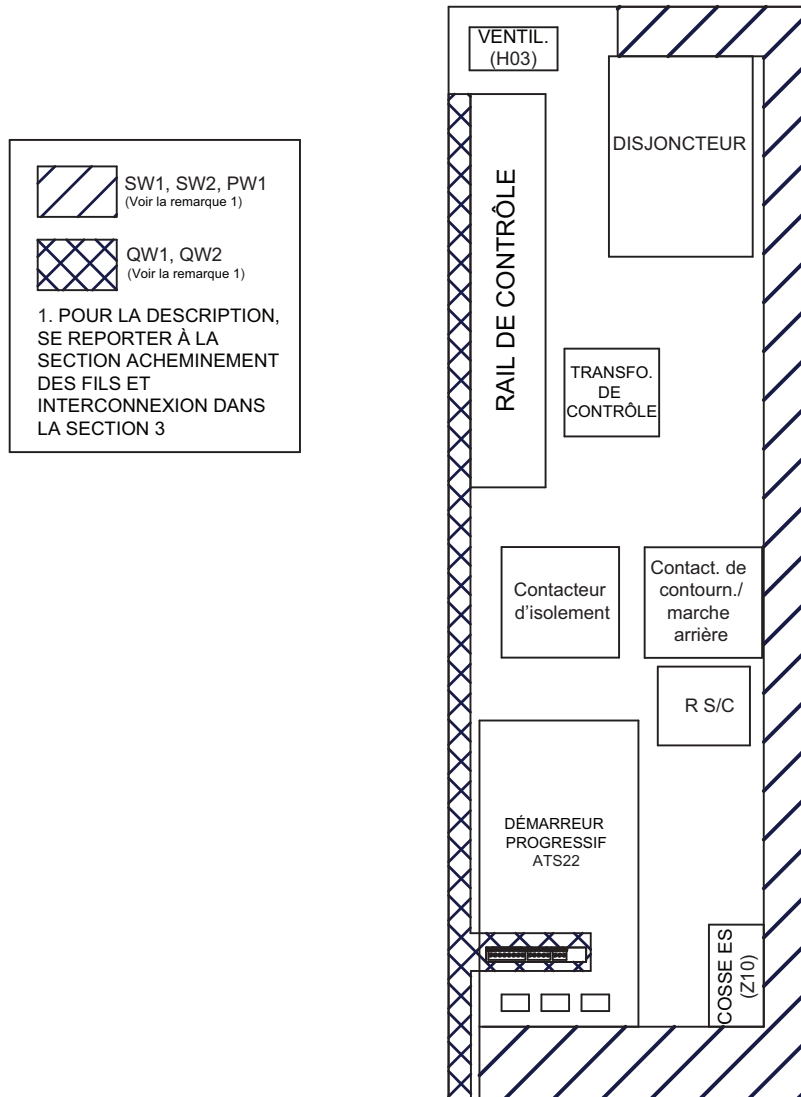
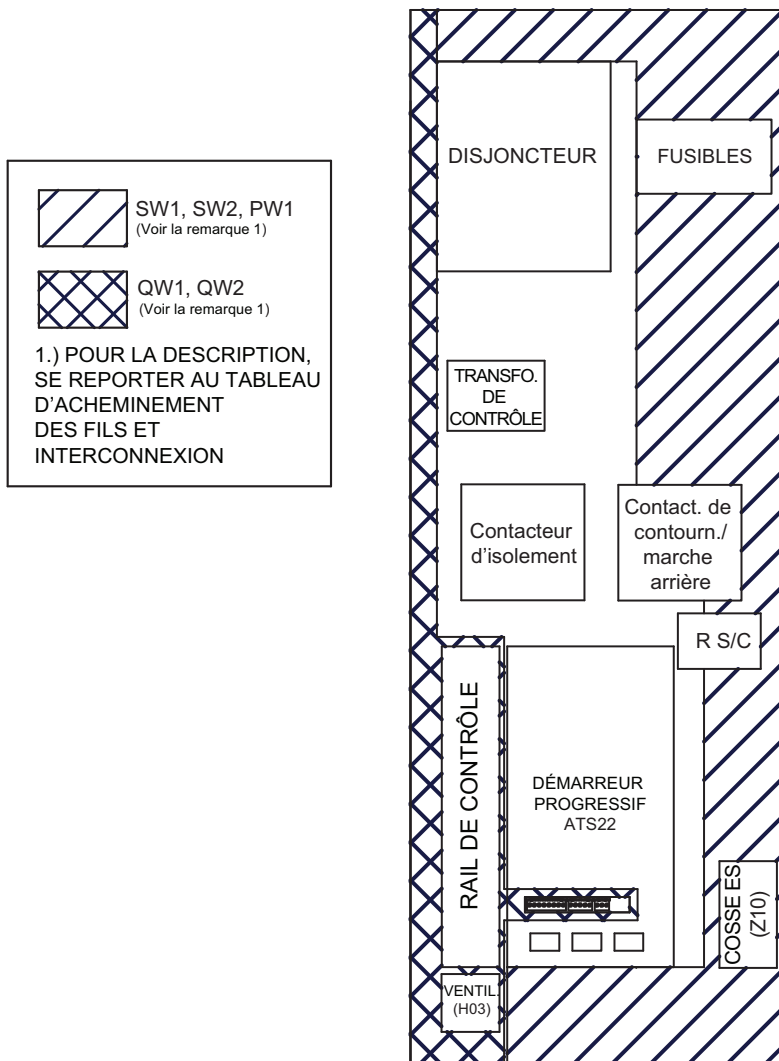


Figure 31 : Acheminement des câbles du circuit d'alimentation S05, N05, R05 et Y05 : Classification EMI



FRANÇAIS

Figure 32 : Acheminement des câbles du circuit d'alimentation S05, N05, R05 et Y05 : Classification EMI



FRANÇAIS

## Méthodes de câblage

### **⚠ DANGER**

#### **RISQUE D'ÉLECTROCUTION, D'EXPLOSION OU D'ÉCLAIR D'ARC**

- Acheminez et sécurisez tous les conducteurs afin d'éviter tout endommagement de l'isolation lors de leur installation sous ou près de bords tranchants.
- Lorsque c'est possible, utilisez des conducteurs sous gaine.

**Si ces directives ne sont pas respectées, cela entraînera la mort ou des blessures graves.**

Utiliser les méthodes de câblage selon la classification EMI et la classe de tension des conducteurs comme décrit dans le tableau 15 à la page 59.



Tableau 15 : Acheminement des fils et interconnexion

Méthodes et considérations de câblage	Classification EMI des conducteurs <sup>1</sup>				
	QW1	QW2	SW1	SW2	PW1
<b>Groupement des conducteurs dans des goulottes guide-fils et conduits</b>					
1. Tous les conducteurs d'un circuit d'alimentation monophasé ou triphasé doivent être groupés afin de minimiser les champs magnétiques de fils détachés.			X	X	X
2. Tous les conducteurs d'un circuit d'alimentation cc doivent être groupés afin de minimiser les champs magnétiques de fils détachés.			X	X	X
3. Lorsque des conducteurs en parallèle doivent être acheminés dans des goulottes guide-fils ou conduits séparés, minimiser les champs magnétiques de fils séparés en groupant les conducteurs.				X	X
4. Maintenir les acheminements de conducteurs aussi courts que possible.	X	X	X	X	X
<b>Séparation de circuits</b>					
1. Ne pas acheminer des conducteurs de classification EMI différente dans le même conduit.	X	X	X	X	X
2. Ne pas acheminer des conducteurs de classe de tension différente dans le même conduit à moins que tous les conducteurs ne soient isolés pour la classe de tension maximale présente.	X	X	X	X	X
3. Séparer tous les conducteurs par classification EMI Utiliser la séparation des circuits suivante lorsque les conducteurs sont acheminés parallèlement pendant plus de 305 mm (12 po).					
• Conduits métalliques : 76 mm (3 po) de QW à SW ou PW	X	X	X	X	X
• Caniveaux métalliques : 76 mm (3 po) de QW à PW			X	X	X
• Caniveaux métalliques : 152 mm (6 po) de QW à SW ou PW	X	X	X	X	X
• Contre une surface métallique continue : 76 mm (3 po) de QW à PW			X	X	X
• Contre une surface métallique continue : 152 mm (6 po) de QW à SW ou PW	X	X	X	X	X
• Logement de conduit métallique de QW : 305 mm (12 po) vers un conduit non métallique SW ou PW	X	X	X	X	X
• Conduits non métalliques : 76 mm (3 po) de SW à PW			X	X	X
• Conduits non métalliques : 584 mm (23 po) de QW à SW ou PW	X	X	X	X	X
4. Tous les groupes de conducteurs PW doivent être séparés individuellement à l'aide d'un conduit métallique.					X
5. Si un câblage QW et SW1 doit croiser un câblage SW2 ou PW1, croiser les groupes à angles droits.	X	X	X	X	X
<b>Problèmes de bruit de mode commun</b>					
1. Fournir des retours de signaux adjacents à l'aide de câbles en paires torsadées.	X	X			
2. Isoler de façon galvanisée le signal et le chemin de retour du signal associé lorsque c'est possible.	X	X			
<b>Blindage</b>					
1. Utiliser un conduit métallique pour tous les circuits d'alimentation et de contrôle externes à l'armoire du contrôleur.	X	X	X	X	X
2. Les blindages doivent être continus et munis d'un fil de drainage.	X	X	X		
3. Ne pas grouper des conducteurs de classification EMI différente dans le même blindage.	X	X	X	X	X
4. Minimiser la portion non blindée du conducteur à l'extrémité du câble blindé.	X	X	X	X	X
5. Lors du blindage de conducteurs d'alimentation ca ou cc, grouper les conducteurs afin de minimiser le champ magnétique dans le blindage.			X	X	X
<b>Mise à la terre</b>					
1. Mettre les blindages à la terre seulement à l'extrémité contrôleur.	X	X	X	X	X
2. Utiliser un fil de mise à la terre séparé pour chaque mise à la terre de blindage.	X	X	X	X	X
3. Fournir un fil de mise à la terre avec tous les groupes de conducteurs, qu'ils soient en caniveaux ou en conduits.			X	X	X
4. Lorsque des mises à la terre multiples doivent être faites pour un câble d'alimentation blindé, le blindage doit avoir la même capacité de résistance aux courts-circuits que le conducteur de mise à la terre du câble d'alimentation.			X	X	X
5. Terminer toutes les mises à la terre d'alimentations et mises à la terre de blindages d'alimentation au point ou barre de mise à la terre du contrôleur.			X	X	X
6. Terminer toutes les mises à la terre des blindages de signaux aux bornes fournies.	X	X			
7. Toujours fournir un conducteur de mise à la terre d'appareil séparé de l'alimentation de puissance du contrôleur. Ne pas dépendre d'un conduit métallique pour le raccordement à la terre.			X	X	X

<sup>1</sup> « X » indique l'applicabilité à la classification EMI spécifiée.

FRANÇAIS

## Emplacement des composants

Voir les figures 33 à 37 pour l'identification des composants des contrôleurs 22 sous coffret et les emplacements des borniers pour la configuration du circuit d'alimentation spécifiée.

Consulter les tableaux 19–23 aux pages 68–72 pour les calibres de fils et les exigences de couple de serrage des bornes.

Figure 33 : Circuit d'alimentation B05

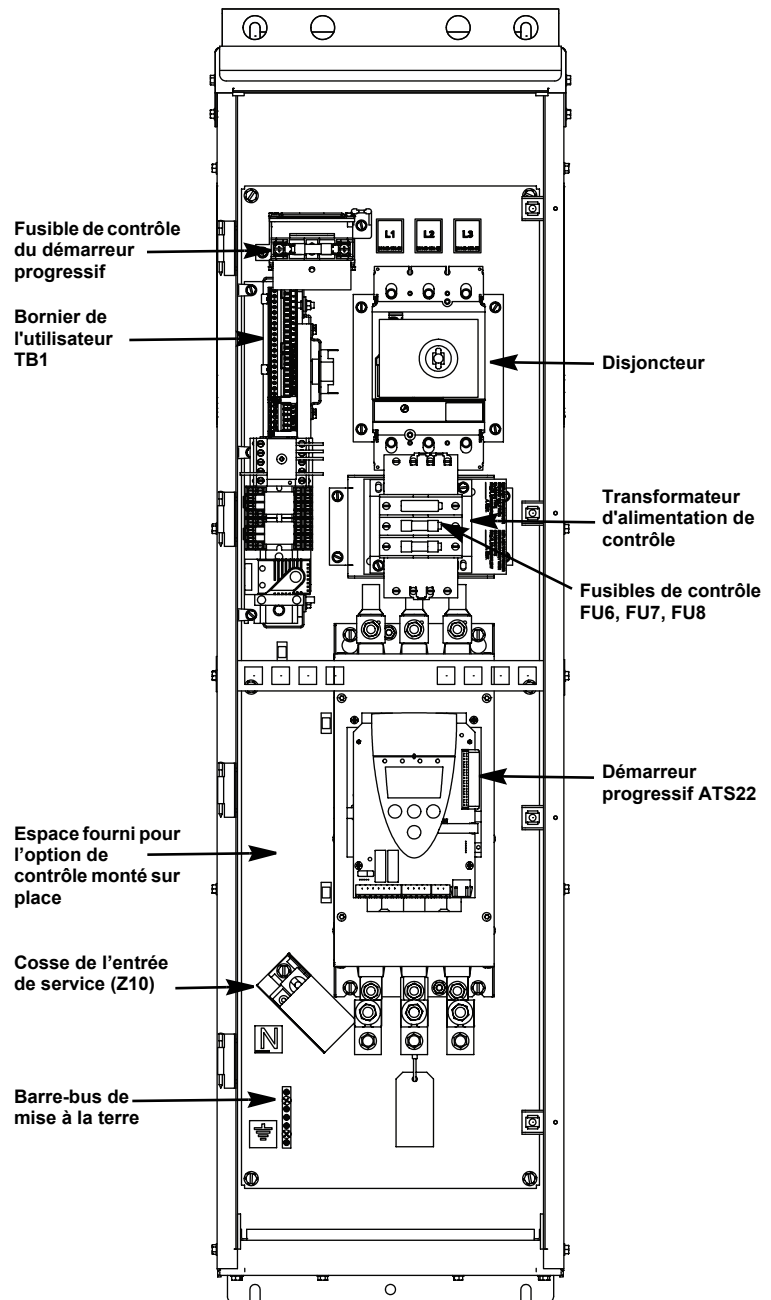
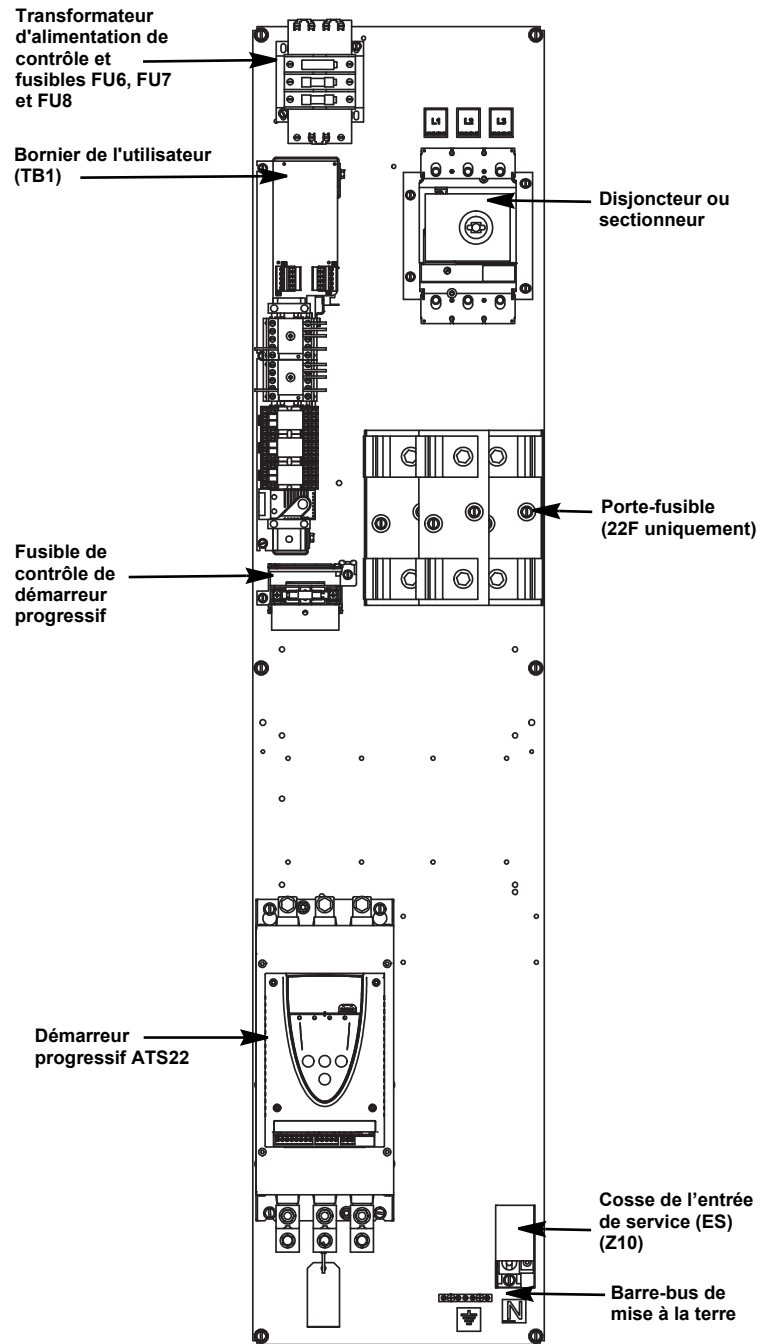


Figure 34 : Circuit d'alimentation S05



FRANÇAIS

Figure 35 : Circuit d'alimentation N05

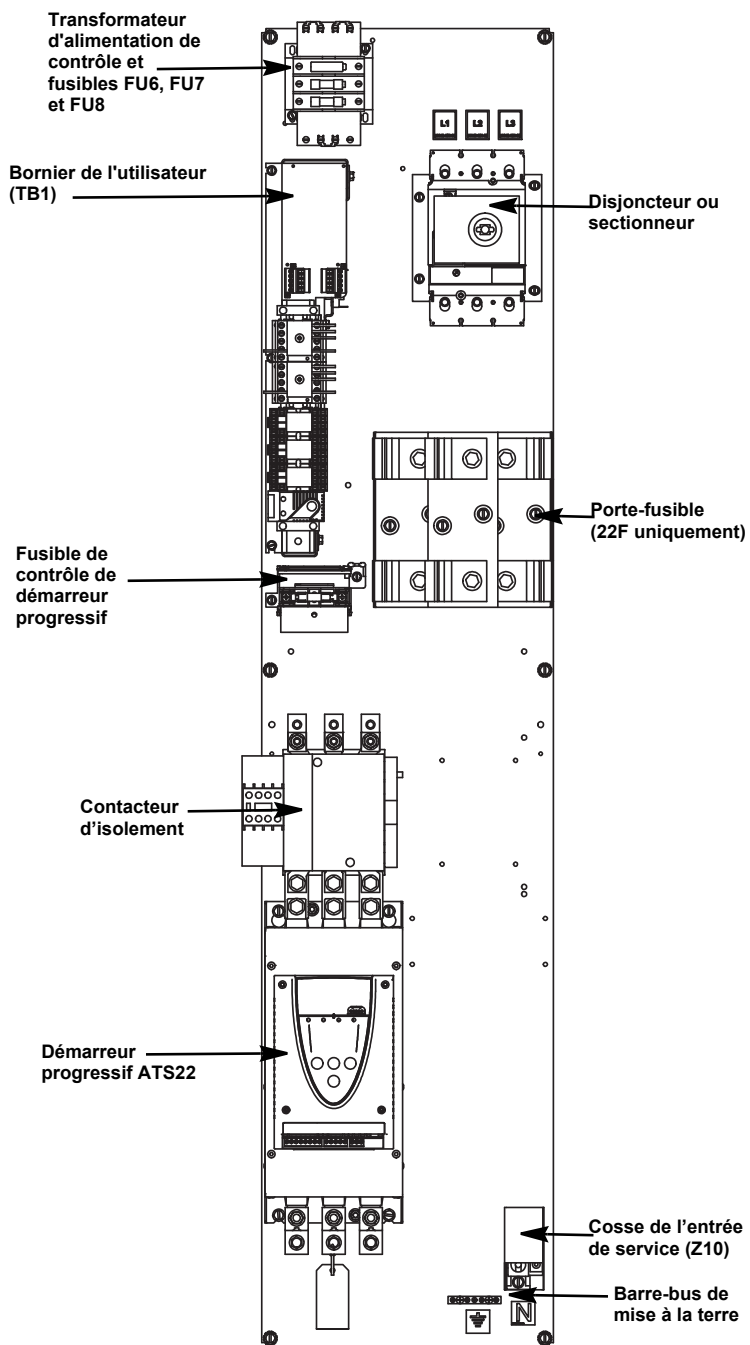
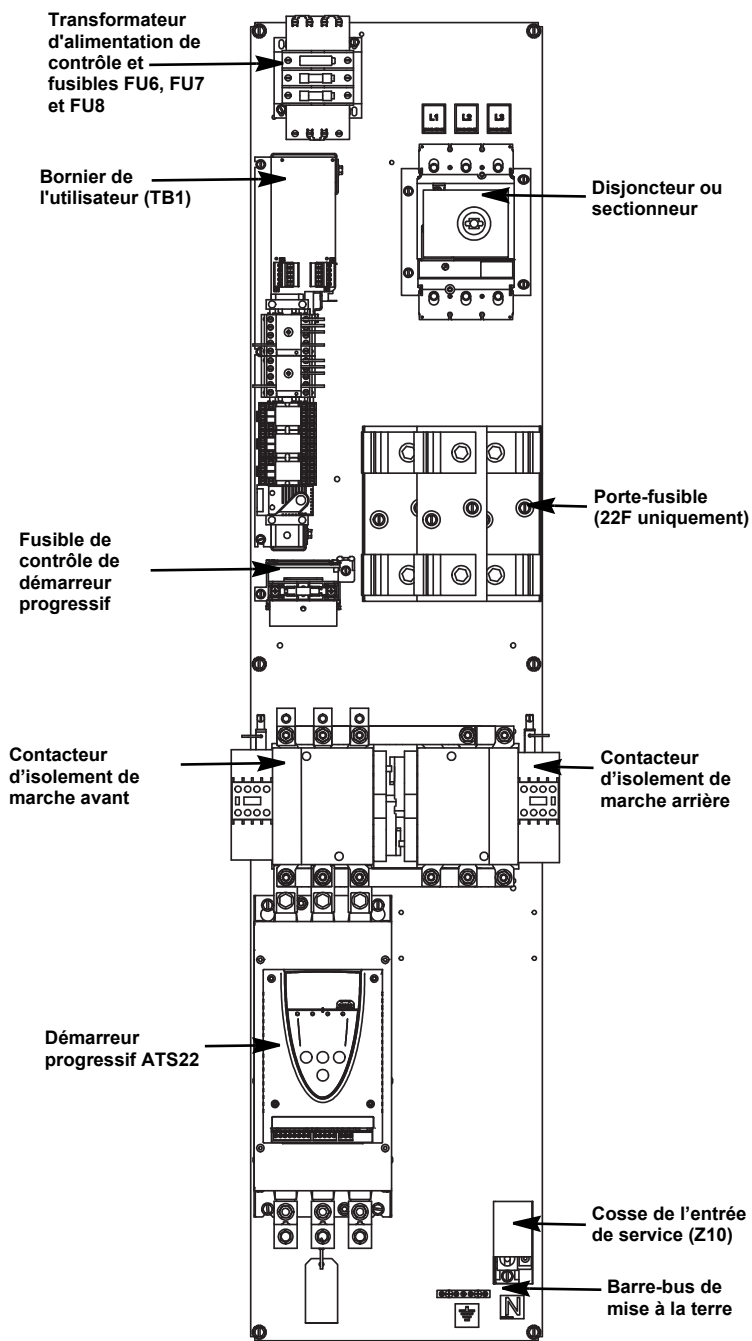
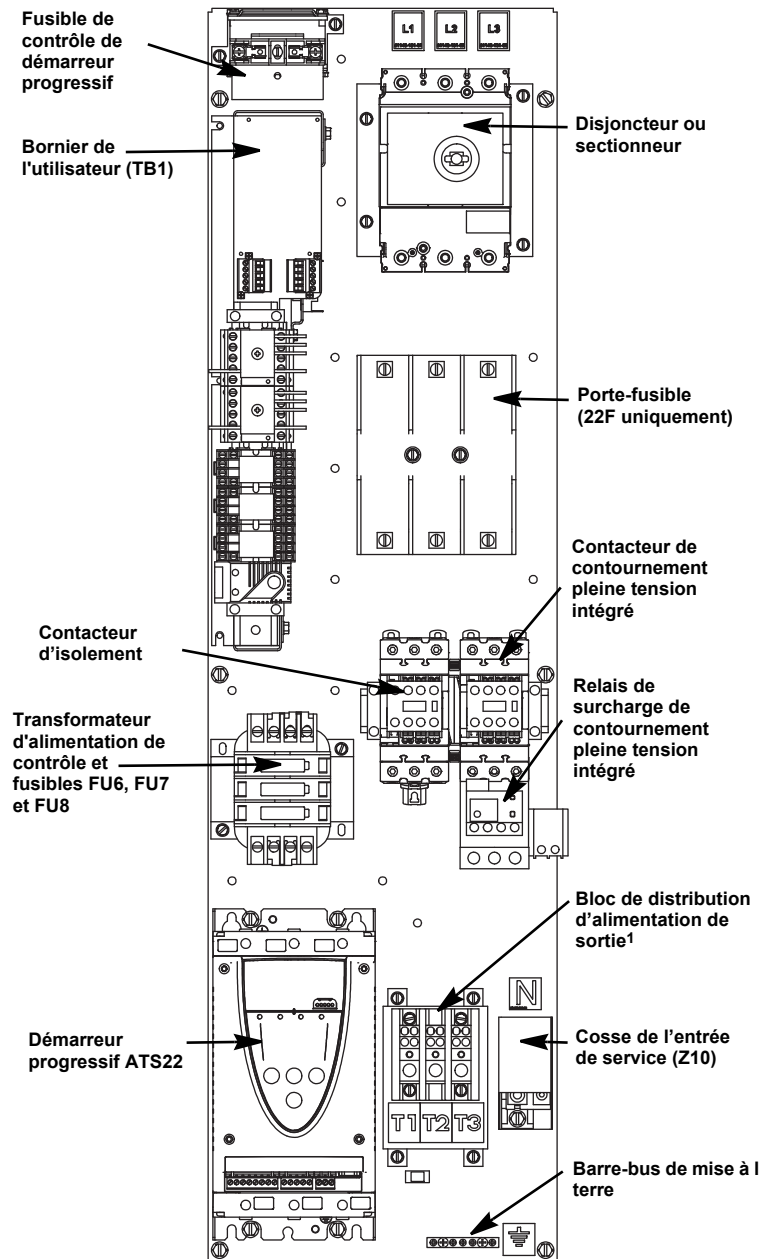


Figure 36 : Circuit d'alimentation R05



FRANÇAIS

Figure 37 : Circuit d'alimentation Y05



1 Bloc de distribution d'alimentation fourni pour les armoires de types 1 et 12K dans les puissances/tensions suivantes : 3 – 20 HP à 208 V ; 5 – 25 HP à 230 V ; 10 – 50 HP à 460 V ; 15 – 60 HP à 575 V. Bloc de distribution d'alimentation fourni pour les armoires de type 3R dans les puissances/tensions suivantes : 3 – 20 HP à 208 V ; 5 – 20 HP à 230 V ; 10 – 40 HP à 460 V ; 15 – 60 HP à 575 V.

## Câblage d'alimentation

### **⚠ DANGER**

#### **RISQUE D'ÉLECTROCUTION, D'EXPLOSION OU D'ÉCLAIR D'ARC**

- Portez un équipement de protection personnelle (ÉPP) approprié et observez les méthodes de travail électrique sécuritaire. Voir NFPA 70E.
- Certaines bornes sont encore porteuses de tension lorsque le sectionneur est ouvert.
- Coupez toutes les alimentations de l'appareil avant d'y travailler.
- Utilisez toujours un dispositif de détection de tension à valeur nominale appropriée pour vous assurer que l'alimentation est coupée.
- Remplacez les couvercles avant de mettre l'appareil sous tension.
- Lisez et comprenez les précautions dans la section « Avant de commencer » à la page 8 avant d'effectuer les procédures dans cette section.

**Si ces directives ne sont pas respectées, cela entraînera la mort ou des blessures graves.**

### **⚠ ATTENTION**

#### **CÂBLAGE INAPPROPRIÉE**

- Ne raccordez pas les conducteurs d'alimentation d'entrée aux bornes de sortie du contrôleur (T1, T2, T3 ou U, V, W). Cela endommage le contrôleur et annule la garantie.
- Vérifiez les raccords électriques avant de mettre le contrôleur sous tension.

**Si ces directives ne sont pas respectées, cela peut entraîner des blessures ou des dommages matériels.**

### **⚠ ATTENTION**

#### **DOMMAGES CAUSÉS PAR LA CHALEUR ET LE FEU**

Observez les exigences de couple de serrage spécifiées sur la plaque signalétique du contrôleur 22 sous coffret.

**Si ces directives ne sont pas respectées, cela peut entraîner des blessures ou des dommages matériels.**

**Tableau 16 : Caractéristiques des bornes de puissance**

Borne	Fonction	Tension (+10%/-15%)
GND (terre)	Terre (vers la barre de m.à.l.t. du panneau)	—
L1, L2 et L3	Alimentation triphasée (dessus du disjoncteur)	208
		230
		460
		575
T1, T2 et T3	Raccordements de sortie vers le moteur (bas du démarreur progressif, relais de surcharge ou bloc de distribution d'alimentation)	208
		230
		460
		575

**Tableau 17 : Espace disponible pour la courbure des câbles, circuit d'alimentation B05**

Valeur nominale du contrôleur			Espace pour la courbure des câbles po (mm)	Calibre maximum des fils de terminaison sur place <sup>1</sup>	Référence de taille d'armoire
40 °C (104 °F) HP	UL Type 3R ou 50 °C (122 °F) HP	V			
3–25	3–20	208	2,5 (63,5)	AWG 2 (66,4 mm <sup>2</sup> )	A
5–30	5–25	230			
10–60	10–50	460			
15–75	15–60	575			
30–50	25–40	208	8 (203,2)	250 kcmil (127 mm <sup>2</sup> )	B
40–60	30–50	230			
75–125	60–100	460			
60–125	50–100	208	11 (279,4)	(2) 350 kcmil (177 mm <sup>2</sup> )	D
75–150	60–125	230			
150–300	125–250	460			
200–300	150–300	575			
150	125	208	17 (431,8)	(2) 500 kcmil (253 mm <sup>2</sup> )	E
200	150	230			
350–400	300–350	460			
400–500	350–400	575			

<sup>1</sup> Calibre maximum des fils selon NEC 2009, tableau 312.6(B), basé sur la courbure des fils fournis.



**Tableau 18 : Espace disponible pour la courbure des câbles, circuits d'alimentation S05, N05, R05 et Y05**

Valeur nominale du contrôleur			Espace pour la courbure des câbles po (mm)	Calibre maximum des fils de terminaison sur place <sup>1</sup>	Référence de taille d'armoire
40 °C (104 °F) HP	UL Type 3R ou 50 °C (122 °F) HP	V			
3–10	3–10	208	3,0 (76,2)	AWG 3 (26,7 mm <sup>2</sup> )	B
5–15	5–10	230			
10–30	10–25	460			
15–40	15–30	575			
15–25	10–20	208	8,0 (203,2)	AWG 1/0 (53,5 mm <sup>2</sup> )	C
20–30	15–25	230			
40–60	30–50	460			
50–75	40–60	575			
30–50	25–40	208	7,0 (177,8)	AWG 4/0 (107 mm <sup>2</sup> )	D
40–60	30–50	230			
75–125	60–100	460			
100–150	75–125	575			
60–125	50–100	208	12 (304,8)	(2) 350 kcmil (177 mm <sup>2</sup> )	F
75–150	60–125	230			
150–300	125–250	460			
200–300	150–300	575			
150	125	208	13 (330,2)	(2) 500 kcmil (253 mm <sup>2</sup> )	G
200	150	230			
350–400	300–350	460			
400–500	350–400	575			

<sup>1</sup> Calibre maximum des fils selon NEC 2009, tableau 312.6(B), basé sur la courbure des fils fournis.

Tableau 19 : Exigences de couple de serrage et calibre des fils des bornes de puissance de ligne<sup>1</sup>

L1, L2, L3 (Ligne)		Contrôleur type 22T ou 22F			Contrôleur type 22U			L1, L2, L3 (Ligne)
HP	V	Calibre des fils AWG (mm <sup>2</sup> )	Couple de serrage lb-po (N•m)	Long. de dénudage po (mm)	Calibre des fils AWG (mm <sup>2</sup> )	Couple de serrage lb-po (N•m)	Long. de dénudage po (mm)	HP
3–25		208	14–10 (2,1–5,3) 8–3/0 (8,4–85)	50 (5,6) 120 (13,5)	0,65 (16)	14–10 (2,1–5,3) 8–3/0 (8,4–85)	50 (5,6) 120 (13,5)	0,65 (16)
5–30		230						
10–60		460						
15–75		575						
30–40		208	14–10 (2,1–5,3) 8–3/0 (8,4–85)	50 (5,6) 120 (13,5)	0,65 (16)	4–4/0 (21–107)	225 (25,4)	1 (25)
40		230						
75		460						
100		575						
50		230	4–4/0 (21–107)	225 (25,4)	1 (25)	4–4/0 (21–107)	225 (25,4)	1 (25)
100		460						
125		575						
50		208	3/0–350 (85–177)	225 (25,4)	1 (25)	3/0–350 (85–177)	225 (25,4)	1 (25)
60		230						
125		460						
150		575						
60		208	3/0–350 (85–177)	225 (25,4)	1 (25)	2–500 (33,6–253)	275 <sup>2</sup> (31) 442 <sup>3</sup> (50)	1,2 (31)
75		230						
150		460						
200		575						
75		208						
100		230	2–500 (33,6–253)	275 <sup>2</sup> (31) 442 <sup>3</sup> (50)	1,2 (31)	2–500 (33,6–253)	275 <sup>2</sup> (31) 442 <sup>3</sup> (50)	1,2 (31)
200		460						
250		575						
100		208						
125		230	2–500 (33,6–253)	275 <sup>2</sup> (31) 442 <sup>3</sup> (50)	1,2 (31)	(2) <sup>2</sup> 2/0–350 (67,4–177)	275 <sup>2</sup> (31) 442 <sup>3</sup> (50)	(1) 1,2 (31) (2) 2,4 (61)
250		460						
Val, nom. 40 °C (104 °F)	Val, nom. 50 °C (122 °F)							
300	—	575	2–500 (33,6–253)	275 <sup>2</sup> (31) 442 <sup>3</sup> (50)	1,2 (31)	(2) <sup>2</sup> 2/0–350 (67,4–177) (2) <sup>3</sup> 2/0–500 (67,4–253)	275 <sup>2</sup> (31) 442 <sup>3</sup> (50)	(1) 1,2 (31) (2) 2,4 (61)
125	—	208	(2) <sup>2</sup> 2/0–350 (67,4–177) (2) <sup>3</sup> 2/0–500 (67,4–253)	275 <sup>2</sup> (31) 442 <sup>3</sup> (50)	(1) 1,2 (31) (2) 2,4 (61)	(2) <sup>2</sup> 2/0–350 (67,4–177) (2) <sup>3</sup> 2/0–500 (67,4–253)	275 <sup>2</sup> (31) 442 <sup>3</sup> (50)	(1) 1,2 (31) (2) 2,4 (61)
150	—	230						
300	—	460						
150	125	208	(3) 3/0–500 (85–253)	442 (50)	1 (25)	(3) 3/0–500 (85–253)	442 (50)	1 (25)
200	150	230						
350–400	300–350	460						
400–500	340–400	575						

<sup>1</sup> Se reporter à la plaque signalétique du produit pour confirmer les exigences de couple de serrage. Les informations fournies dans ce tableau sont à titre de référence uniquement.

<sup>2</sup> Exigences de couple de serrage et calibre des fils des bornes de puissance pour disjoncteurs PowerPact à châssis D.

<sup>3</sup> Exigences de couple de serrage et calibre des fils des bornes de puissance pour disjoncteurs PowerPact à châssis L.

**Tableau 20 : Exigences de couple de serrage et calibre des fils des bornes de puissance de charge<sup>1</sup>**

T1, T2, T3 (charge)			Circuit d'alimentation B05, S05, N05, R05			Circuit d'alimentation Y05		
40 °C (104 °F) HP	UL Type 3R ou 50 °C (122 °F) HP	V	Calibre des fils  AWG (mm <sup>2</sup> )	Couple de serrage  lb-po (N•m)	Long. de dénu- dage  po (mm)	Calibre des fils  AWG (mm <sup>2</sup> )	Couple de serrage  lb-po (N•m)	Long. de dénu- dage  po (mm)
3-10	3-10	208	12-4 (2,5-16)	26 (3)	0,3 (7)	14-10 (2,1-5,3)	35 (3,9)	0,65 (16)
5-15	5-10	230				8 (8,4)	40 (4,5)	
10-30	10-25	460				6-2/0 (13-67)	120 (13,5)	
15-40	15-30	575						
15-20	15-20	208	10-1/0 (4-50)	88 (10)	0,6 (15)	8 (8,4)	40 (4,5)	0,65 (16)
20-25	15-20	230				6-2/0 (13-67)	120 (13,5)	
40-50	30-40	460						
50-60	40-60	575						
25	—	208	10-1/0 (4-50)	88 (10)	0,6 (15)	6-300 (13-151)	275 (31)	1 (25)
30	25	230						
60	50	460						
75	—	575						
30-50	25-40	208	6-300 (13-151)	275 (31)	1 (25)	6-300 (13-151)	275 (31)	1 (25)
40-60	30-50	230						
75-125	60-100	460						
100-150	75-125	575						
60-150	50-125	208	(2) 2- 500 (33,6- 253)	500 (56)	Cosse 1 : 1,0 (25) Cosse 2 : 2,0 (50)	(2) 2- 500 (33,6- 253)	500 (56)	Cosse 1 : 1,0 (25) Cosse 2 : 2,0 (50)
75-200	60-150	230						
150-400	125-350	460						
200-500	150-400	575						

<sup>1</sup> Se reporter à la plaque signalétique du produit pour confirmer les exigences de couple de serrage. Les informations fournies dans ce tableau sont à titre de référence uniquement.

**Tableau 21 : Exigences de couple de serrage et calibre des fils de la barre de m.à.l.t.**

Valeur nominale du contrôleur		Barre de mise à la terre		
HP	V	AWG (mm <sup>2</sup> )	lb-po (N•m)	Longueur de dénudage po (mm)
<b>Armoires tailles A, B ou C</b>				
3–50	208	14–4 (2–21)	35 (4,0)	0,35 (9)
5–60	230			
10–125	460			
15–150	575			
<b>Armoire taille D, circuits d'alimentation S05, N05, R05 ou Y05</b>				
3–50	208	14–4 (2–21)	35 (4,0)	0,35 (9)
40–60	230			
75–125	460			
100–150	575			
<b>Armoire taille D, circuit d'alimentation B05</b>				
60–125	208	14–8 (2,1–8,4) 6–1/0 (13,3–53,5)	36 (4,1) 45 (5,1)	0,6 (15,2) 0,6 (15,2)
75–150	230			
150–300	460			
200–300	575			
<b>Armoires tailles E, F ou G</b>				
60–150	208	6–300 (13,3–151)	275 (31,1)	1 (25,4)
75–200	230			
150–400	460			
200–500	575			

**Tableau 22 : Gamme de fils de l'entrée de service (Mod Z10) et exigences de couple de serrage**

Valeur nominale du contrôleur			Neutre principal		Terre	
40 °C (104 °F) HP	UL Type 3R ou 50 °C (122 °F) HP	V	AWG (mm <sup>2</sup> )	lb-po (N•m)	AWG (mm <sup>2</sup> )	lb-po (N•m)
3–25	3–20	208	12–1/0 Al (3,3–53,3 Al) 14–1/0 Cu (2,1–53,3 Cu)	75 (8,5)	12–1/0 Al (3,3–53,3 Al) 14–1/0 Cu (2,1–53,3 Cu)	50 (5,6)
5–30	5–25	230				
10–60	10–50	460				
15–75	15–60	575				
30–50	25–40	208	4–300 (21,1–151)	250 (28,2)	6–4 (13,3–21,1) 8 (8,4)	45 (5,1) 40 (4,5)
40–60	30–50	230				
75–125	60–100	460				
100–150	75–125	575				

Page suivante

**Tableau 22 : Gamme de fils de l'entrée de service (Mod Z10) et exigences de couple de serrage (suite)**

Valeur nominale du contrôleur			Neutre principal		Terre	
40 °C (104 °F) HP	UL Type 3R ou 50 °C (122 °F) HP	V	AWG (mm <sup>2</sup> )	lb-po (N•m)	AWG (mm <sup>2</sup> )	lb-po (N•m)
75–125	60–100	208	1–500 (42,4–253)	300 (33,9)	4–300 (21,1–151)	250 (28,2)
100–150	75–125	230				
200–300	150–250	460				
250–300	200–250	575				
150	125	208	3/0–500 (85–253)	300 (33,9)	6–250 (13,3–127)	275 (31,1)
200	150	230				
350–400	300–350	460				
400–500	350–400	575				

## Câblage de contrôle

Raccorder le câblage de contrôle à la partie supérieure du bornier détachable TB1. Voir la figure 38 ou 39 (pages 71 ou 72).

Les bornes de contrôle ont une intensité nominale de 250 V, 12 A. Calibre maximum des fils pour les bornes de contrôle :

- 12 AWG (2,5 mm<sup>2</sup>), 1 fil
  - 16 AWG (1,5 mm<sup>2</sup>), 2 fils
  - Couple minimum de serrage : 0,5 N•m (4,5 lb-po)
  - Les bornes de l'utilisateur pour le circuit d'alimentation B05 sont désignées sur les schémas de câblage. Voir les figures 43 à 52 aux pages 94 à 103.
- Pour d'autres options de circuit d'alimentation (S05, N05, R05 ou Y05), consulter la documentation expédiée avec le contrôleur.

## Déclencheur shunt (B05)

**Figure 38 : Bornier de l'utilisateur (TB1 et TB2)**

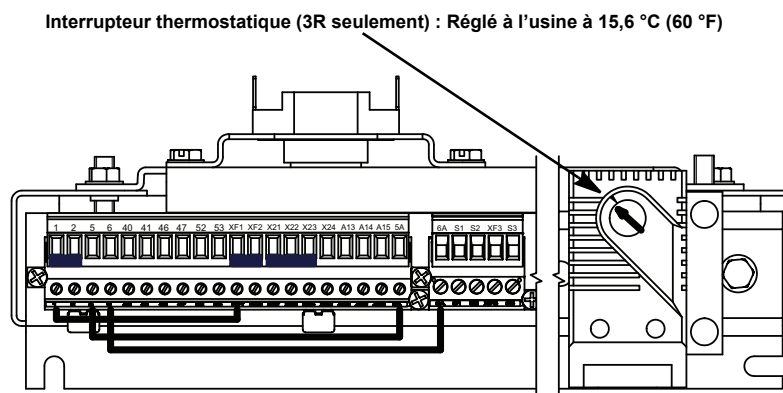




Tableau 24 : Raccordements du bornier de l'utilisateur (TB1) (suite)

Fonction	Description	Bornes de l'utilisateur (voir la figure 39)	
Contact de marche N.O. <sup>4</sup>	Se ferme quand une commande de marche est fournie.	52	53
Contact de marche N.F. <sup>4</sup>	S'ouvre quand une commande de marche est fournie.	53	54
Contact de contournement N.O. <sup>5</sup>	Se ferme quand le contrôleur est placé en mode de contournement.	58	59
Contact de contournement N.F. <sup>5</sup>	S'ouvre quand le contrôleur est placé en mode de contournement.	59	60
Alimentation de contrôle (120 V~)	Donne accès à l'alimentation de contrôle quand l'option B10 est sélectionnée.	XF	X2

<sup>1</sup> Contact de démarrage automatique valide uniquement pour les options de contrôle C06 et E06.

<sup>2</sup> Nécessite la sélection d'une option diverse J10, contact auxiliaire N. O. d'indication de déclenchement.

<sup>3</sup> Nécessite la sélection d'une option diverse H10, contact auxiliaire N.O. du mode automatique. Valide uniquement avec les options de contrôle C06 et E06.

<sup>4</sup> Nécessite la sélection d'une option diverse F10, contact auxiliaire N.O. du mode de marche.

<sup>5</sup> Nécessite la sélection d'une option diverse Y06 et d'une option diverse G10.

## Procédure initiale de mise en service

### DANGER

#### RISQUE D'ÉLECTROCUTION, D'EXPLOSION OU D'ÉCLAIR D'ARC

Lisez et comprenez les précautions dans la section « Avant de commencer » commençant à la page 8 avant d'effectuer les procédures dans cette section.

**Si ces directives ne sont pas respectées, cela entraînera la mort ou des blessures graves.**

### DANGER

#### RISQUE D'ÉLECTROCUTION, D'EXPLOSION OU D'ÉCLAIR D'ARC

- Portez un équipement de protection personnelle (ÉPP) approprié et observez les méthodes de travail électrique sécuritaire. Voir NFPA 70E.
- Seul un personnel qualifié doit effectuer l'installation et l'entretien de cet appareil.
- Coupez toutes les alimentations de l'appareil avant d'y travailler.
- Utilisez toujours un dispositif de détection de tension à valeur nominale appropriée pour vous assurer que l'alimentation est coupée.
- Remplacez tous les dispositifs, les portes et les couvercles avant de mettre l'appareil sous tension.

**Si ces directives ne sont pas respectées, cela entraînera la mort ou des blessures graves.**

## **⚠ DANGER**

### **PERSONNEL NON QUALIFIÉ**

- Seul un personnel qualifié doit effectuer l'installation et l'entretien de cet appareil.
- Les personnes qualifiées pour effectuer des diagnostics ou un dépannage qui exigent la mise sous tension de conducteurs électriques doivent se conformer à la norme NFPA 70 E sur les exigences de sécurité électrique pour le lieu de travail des employés et aux normes OSHA relatives à l'électricité, 29 CFR partie 1910 sous-partie S.

**Si ces directives ne sont pas respectées, cela entraînera la mort ou des blessures graves.**

Le contrôleur 22 sous coffret est configuré pour les options installées et essayées à l'usine. Des réglages mineurs peuvent être requis pour exécuter l'installation sur place en fonction des exigences de l'application. Suivre la procédure de mise en service initiale, point par point.

Toute l'alimentation d'entrée ayant été coupée, effectuer les vérifications de l'appareil suivantes :

1. Vérifier si tous les sectionneurs de l'appareil sont ouverts.
2. Si fourni, mettre le sélecteur<sup>1</sup> à l'arrêt (OFF ou Stop).
3. Couper toutes les alimentations à cet appareil avant d'y travailler et observer toutes les procédures d'interverrouillage et d'étiquetage. Toujours utiliser un dispositif de détection de tension à valeur nominale appropriée pour vous assurer que l'alimentation est coupée.
4. Placer la manette de l'unité sur la position d'arrêt (O) et ouvrir la porte.
5. Vérifier le câblage de m.à.l.t. de l'alimentation d'entrée et la m.à.l.t. du moteur.
6. S'assurer que les conducteurs du moteur sont câblés aux bornes de charge dans l'armoire, marquées T1, T2 et T3. Les bornes de charge se trouvent au démarreur progressif, au relais de surcharge de contournement ou au bloc de diffusion de l'alimentation, selon le circuit d'alimentation, la puissance et la tension sélectionnés.

## **⚠ DANGER**

### **RISQUE D'ÉLECTROCUTION, D'EXPLOSION OU D'ÉCLAIR D'ARC**

- Mettez le panneau du contrôleur à la terre de façon appropriée avant de mettre sous tension.
- Fermez et fixez la porte de l'armoire avant de mettre sous tension.
- Certaines procédures de réglages et d'essais exigent que ce contrôleur soit mis sous tension. Une attention extrême doit être exercée car des tensions dangereuses existent. La porte de l'armoire doit être fermée et fixée lors de la mise sous tension ou du démarrage et de l'arrêt de ce contrôleur. Observez toujours les pratiques et procédures de la norme NFPA 70E, « Standard for Electrical Safety in the Workplace® » (Normes de sécurité électrique sur le lieu de travail).

**Si ces directives ne sont pas respectées, cela entraînera la mort ou des blessures graves.**

<sup>1</sup> Le sélecteur est fourni avec les options de contrôle A06, D06 ou E06.



7. Fermer et verrouiller la porte de l'armoire. Fermer le sectionneur du contrôleur. Fermer le sectionneur d'alimentation de l'appareil.
8. Ouvrir le sectionneur du contrôleur en plaçant la manette sur la position d'arrêt (O). Ouvrir la porte de l'armoire.
9. À l'aide d'un dispositif de détection de tension à valeur nominale appropriée réglé à l'échelle appropriée, s'assurer que la tension de la ligne d'arrivée sur le côté ligne du moyen de déconnexion est dans la gamme de +10 %/-15 % de la tension nominale d'entrée spécifiée sur la plaque signalétique du contrôleur.
10. Fermer et verrouiller la porte de l'armoire. Fermer le moyen de déconnexion de l'appareil. La lampe témoin de mise hors tension<sup>2</sup>, si fournie, s'allume.

Ce contrôleur offre une protection thermique directe pour le moteur quand une sonde thermique de moteur est raccordée aux bornes PTC1 et PTC2 sur le bornier du démarreur progressif ATS22. Se reporter au *Guide de l'utilisateur du ATS22*, BBV51330, pour plus de détails.

## ⚠ ATTENTION

### RISQUE DE SURCHAUFFE MOTEUR

Utilisez une sonde thermique pour le moteur comme requis par le fabricant du moteur pour faciliter la protection contre toute surchauffe à toutes les vitesses et conditions de charge.

**Si cette directive n'est pas respectée, cela peut entraîner des blessures ou des dommages matériels.**

11. Ajuster le réglage du courant à pleine charge comme suit :

- Appuyer sur la touche fléchée vers le bas sur le terminal d'exploitation jusqu'à ce que l'afficheur indique **CONF**. Appuyer une fois sur la touche ENT, puis appuyer sur la touche fléchée vers le bas jusqu'à ce que In soit affiché.
- Appuyer sur la touche ENT, puis utiliser les touches fléchées vers le haut et le bas pour ajuster le réglage au courant à pleine charge indiqué sur la plaque signalétique du moteur.
- Appuyer sur la touche ENT pour enregistrer le réglage, et appuyer deux fois sur la touche ESC pour retourner au menu d'état.

**REMARQUE :** Les réglages indiqués dans cette procédure conviennent à la plupart des applications. Pour une application qui nécessite des caractéristiques de fonctionnement différentes, se reporter au *Guide de l'utilisateur du ATS22*, BBV51330.

## ⚠ AVERTISSEMENT

### RISQUE PROVENANT DES PIÈCES MOBILES

Avant de démarrer le contrôleur sous coffret 22, assurez-vous que le moteur et son conducteur raccordé sont dégagés de tout personnel et prêts à fonctionner.

**Si cette directive n'est pas respectée, cela peut entraîner la mort ou des blessures graves.**

<sup>2</sup> Les lampes témoins sont fournies avec les options A07, B07, C07 ou D07.

12. Vérifier le sens de rotation du moteur comme suit :

- Mettre le sélecteur<sup>3</sup>, si fourni, sur Manuel ou Marche. Appuyer sur le bouton de démarrage<sup>4</sup> si fourni. Vérifier le sens de rotation du moteur. Si correct, passer au point 13. Si incorrect, appuyer sur le bouton d'arrêt ou remettre le sélecteur à la position d'arrêt (OFF ou Stop).

## **⚠ DANGER**

### **RISQUE D'ÉLECTROCUTION, D'EXPLOSION OU D'ÉCLAIR D'ARC**

- Portez un équipement de protection personnelle (ÉPP) approprié et observez les méthodes de travail électrique sécuritaire. Voir NFPA 70E.
- Seul un personnel qualifié doit effectuer l'installation et l'entretien de cet appareil.
- Coupez toutes les alimentations de l'appareil avant d'y travailler.
- Utilisez toujours un dispositif de détection de tension à valeur nominale appropriée pour vous assurer que l'alimentation est coupée.
- Remplacez tous les dispositifs, les portes et les couvercles avant de mettre l'appareil sous tension.

**Si ces directives ne sont pas respectées, cela entraînera la mort ou des blessures graves.**

- Couper toutes les alimentations à cet appareil avant d'y travailler et observer toutes les procédures d'interverrouillage et d'étiquetage. Toujours utiliser un dispositif de détection de tension à valeur nominale appropriée pour vous assurer que l'alimentation est coupée.
- Placer la manette de l'unité sur la position d'arrêt (O) et ouvrir la porte.
- Corriger le sens de rotation du moteur en inversant n'importe lesquels des deux conducteurs du moteur raccordés à la sortie du contrôleur.
- Fermer et verrouiller la porte de l'armoire. Fermer les moyens de déconnexion de l'appareil. La lampe témoin d'arrêt, si fournie, s'allume.
- Mettre le sélecteur, si fourni, sur Manuel ou Marche. Appuyer sur le bouton de démarrage, si fourni. Vérifier le sens de rotation du moteur. Si correct, cela complète la vérification du sens de rotation du moteur.

13. Si requis pour l'application, ajuster le réglage du temps d'accélération (**ACC**), du temps de décélération (**dEC**), de la limite de courant (**ILt**), du temps de démarrage maximum (**tLs**) et des autres paramètres.

<sup>3</sup> Le sélecteur est fourni avec les options de contrôle B06, C06, D06 et E06.

<sup>4</sup> Les boutons-poussoirs de démarrage-arrêt sont fournis avec les options de contrôle A06 et E06.

## Réglages d'usine du démarreur progressif ATS22

Si le démarreur progressif ATS22 a été remplacé ou remis aux réglages d'usine, il pourrait être nécessaire de régler les valeurs de certains paramètres. Le démarreur progressif est configuré à l'usine comme indiqué dans le tableau 25. Se reporter au *Guide de l'utilisateur du ATS22*, BBV51330, pour toute information concernant d'autres réglages et options.

**Tableau 25 : Réglages d'usine du démarreur progressif ATS22**

Menu	Paramètre	Nom	Unité	Description	Réglage d'usine
COnF	Uln	Tension de ligne	V	Tension du réseau	Selon la plaque signalétique
COnF	In	Courant nominal du moteur	A	Courant nominal du moteur	100 % de la val. nom. du contrôleur indiquée sur la plaque signalétique
AdJ	Snb	Nbr. de démarrages	—	Nombre de démarrages	3
AdJ	SLG	Période de démarrages	min.	Période des démarrages	60
IO	LI2	Entrée logique LI2	(B05) Circuit d'alimentation déclencheur shunt de base	(A06) Bouton-poussoir de démarrage-arrêt	Strt (3 fils)
				(C06) Sélecteur, manuel-arrêt-auto	rUn (2 fils)
				(D06) Sélecteur arrêt-marche	rUn (2 fils)
				(E06) Sélecteur Manuel-Auto et bouton-poussoir de démarrage-arrêt	Strt (3 fils)
				(S05, N05, R05, Y05) Toutes les options de contrôle	rUn (2 fils)

## Programmation avec l'option omettre le terminal d'exploitation (U10) ou l'option d'armoire UL type 3R (H03)

### DANGER

#### RISQUE D'ÉLECTROCUTION, D'EXPLOSION OU D'ÉCLAIR D'ARC

- Mettez correctement à la terre le panneau du contrôleur avant de mettre sous tension.
- Fermez et fixez la porte de l'armoire avant de mettre sous tension.
- Certaines procédures de réglages et d'essais exigent que ce contrôleur soit mis sous tension. Une attention extrême doit être exercée car des tensions dangereuses existent. La porte de l'armoire doit être fermée et fixée lors de la mise sous tension ou du démarrage et de l'arrêt de ce contrôleur. Observez toujours les pratiques et procédures de la norme NFPA 70E, « Standard for Electrical Safety in the Workplace® » (Normes de sécurité électrique sur le lieu de travail).

**Si ces directives ne sont pas respectées, cela entraînera la mort ou des blessures graves.**

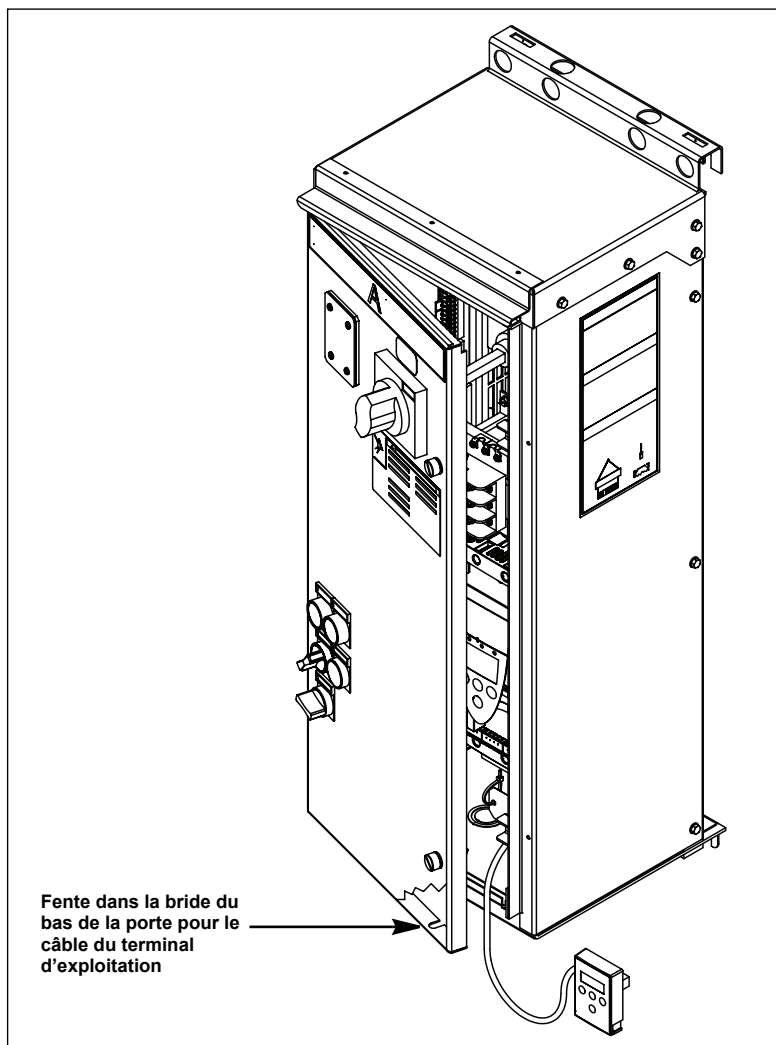
Lorsque l'option U10, omettre le terminal d'exploitation monté sur la porte, est choisie, le terminal d'exploitation à distance (VW3G22101) et le câble (WV3A1104R30) doivent être commandés afin de faire les changements de programmation pour le démarreur progressif. L'option H03, armoire UL type 3R, comprend un terminal d'exploitation à distance et un câble à l'intérieur de l'armoire.

Pour programmer le contrôleur quand l'option H03 ou U10 est choisi :

1. Couper toute alimentation vers le contrôleur, puis contrôler l'absence de tension.  
**REMARQUE** : Vérifier si le vérificateur de tension fonctionne correctement avant et après avoir contrôlé les absences de tension.
2. Mettre le disjoncteur et l'assemblage de la manette à la position d'arrêt (OFF) et ouvrir la porte de l'armoire.
3. Retirer le terminal d'exploitation et le câble de l'armoire.
4. Raccorder le terminal d'exploitation à distance et le câble au démarreur progressif.
5. Acheminer le câble du terminal d'exploitation entre la bride du bas de l'armoire et l'encoche au bas de la bride de la porte. Voir la figure 40 à la page 79.
6. Fermer et verrouiller la porte de l'armoire. S'assurer que le câble du terminal d'exploitation n'est pas pincé par la porte.
7. Fermer le sectionneur.
8. Programmer le contrôleur à l'aide du terminal d'exploitation.
9. Lorsque la programmation est terminée, couper toute alimentation puis contrôler l'absence de tension.
10. Ouvrir la porte de l'armoire et déconnecter le câble du terminal d'exploitation à distance du démarreur progressif.
11. Placer le terminal d'exploitation à distance et le câble à l'intérieur de l'armoire. Ne pas laisser le terminal d'exploitation à distance dans le bas de l'armoire.
12. Fermer et verrouiller la porte de l'armoire.

Pour programmer ou contrôler le démarreur progressif ATS22 au moyen du port de communication Modbus<sup>MC</sup>, se reporter au *Guide de l'utilisateur du ATS22*, BBV51330.

Figure 40 : Accès au terminal d'exploitation à distance



FRANÇAIS

## Réglage du déclenchement du protecteur des circuits du moteur PowerPact Type 22T

Si un contrôleur de type 22T (sectionneur du protecteur des circuits de moteur Powerpact) est fourni, le réglage du disjoncteur à déclenchement magnétique est effectué à l'usine au courant minimum. Il se peut qu'un ajustement de ces réglages soit nécessaire pour un démarrage correct du moteur. Se reporter aux limites de point de consigne du déclenchement magnétique expliquées dans les normes nationales en vigueur.

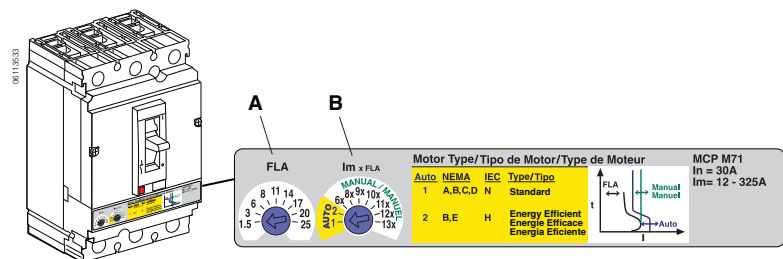
### **⚠ DANGER**

#### **RISQUE D'ÉLECTROCUTION, D'EXPLOSION OU D'ÉCLAIR D'ARC**

- Portez un équipement de protection personnelle (ÉPP) approprié et observez les méthodes de travail électrique sécuritaire. Voir NFPA 70E.
- Seul un personnel qualifié doit effectuer l'installation et l'entretien de cet appareil.
- Coupez toutes les alimentations de l'appareil avant d'y travailler.
- Utilisez toujours un dispositif de détection de tension à valeur nominale appropriée pour vous assurer que l'alimentation est coupée.
- Remplacez tous les dispositifs, les portes et les couvercles avant de mettre l'appareil sous tension.

**Si ces directives ne sont pas respectées, cela entraînera la mort ou des blessures graves.**

Figure 41 : Cadres FLA et Im du disjoncteur PowerPact H/J



Pour accéder aux cadrans de réglage du courant à pleine charge (FLA) et du déclenchement instantané (Im) du disjoncteur PowerPact H ou J :

1. Couper toutes les alimentations à cet appareil avant d'y travailler et observer toutes les procédures d'interverrouillage et d'étiquetage. Toujours utiliser un dispositif de détection de tension à valeur nominale appropriée pour vous assurer que l'alimentation est coupée.
2. Placer la manette de l'unité sur la position d'arrêt (O) et ouvrir la porte.
3. Pour régler le protecteur des circuits d'un moteur, se reporter aux directives d'utilisation fournies avec l'appareil ou les télécharger de la bibliothèque technique à [www.schneider-electric.us](http://www.schneider-electric.us).

**REMARQUE :** Les protecteurs de circuits conviennent aux moteurs possédant des lettres du code d'indication de rotor bloqué, basées sur les codes et normes nationaux en vigueur. Pour d'autres moteurs, consulter votre représentant des ventes local Schneider Electric.

Tableau 26 : Sélection du protecteur des circuits du moteurs type 22T

HP	208 V	230 V	460 V	575 V
3	HLL36030M71	—	—	—
5	HLL36030M71	HLL36030M71	—	—
7,5	HLL36050M72	HLL36050M72	—	—
10	HLL36050M72	HLL36050M72	HLL36030M71	—
15	HLL36100M73	HLL36100M73	HLL36050M72	HLL36030M71
20	HLL36150M74	HLL36100M73	HLL36050M72	HLL36030M71
25	HLL36150M74	HLL36150M74	HLL36050M72	HLL36050M72
30	HLL36150M74	HLL36150M74	HLL36100M73	HLL36050M72
40	HLL36150M74	HLL36150M74	HLL36100M73	HLL36100M73
50	JLL36250M75	JLL36250M75	HLL36150M74	HLL36100M73
60	JLL36250M75	JLL36250M75	HLL36150M74	HLL36100M73
75	DJL36400M36 LLL36400M37XLY	JLL36250M75	HLL36150M74	HLL36150M74
100	DJL36400M36 LLL36400M37XLY	DJL36400M36 LLL36400M37XLY	JLL36250M75	HLL36150M74
125	DJL36600M42 <sup>1</sup> LLL36600M37X <sup>1</sup>	DJL36400M36 LLL36400M37XLY	JLL36250M75	JLL36250M75
150	PLL34060M68 <sup>2</sup>	DJL36600M42 <sup>1</sup> LLL36600M37X <sup>1</sup>	JLL36250M75	JLL36250M75
200	—	PLL34060M68 <sup>2</sup>	DJL36400M36 LLL36400M37XLY	JLL36250M75
250	—	—	DJL36400M36 LLL36400M37XLY	DJL36400M36 LLL36400M37XLY
300	—	—	DJL36600M42 <sup>1</sup> LLL36600M37X <sup>1</sup>	DJL36400M36 LLL36400M37XLY
350	—	—	PLL34060M68	—
400	—	—	PLL34060M68 <sup>2</sup>	PKL36060M68
500	—	—	—	PKL36060M68 <sup>2</sup>

<sup>1</sup> Le protecteur des circuits de moteur PowerPact à châssis P de 600 A est fourni pour les armoires classées UL type 3R ou 50 °C (122 °F).

<sup>2</sup> Sélection valide pour armoires UL type 1 et UL type 12 seulement, non pour fonctionnement à 50 °C (122 °F) .

## Type 22U

Certains disjoncteurs ont des réglages de déclenchement qui ont besoin d'un ajustement en fonction de l'application ou du type de moteur. Pour plus de renseignements sur les réglages de déclenchement, consulter les directives d'utilisation des disjoncteurs fournies avec l'appareil ou disponibles pour un téléchargement de la bibliothèque technique à [www.schneider-electric.us](http://www.schneider-electric.us).

Figure 42 : Cadran FLA et Im du disjoncteur PowerPact J

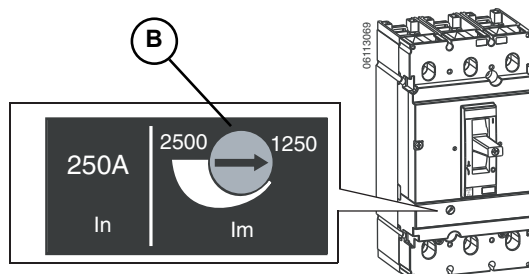


Tableau 27 : Sélection du disjoncteur thermomagnétique type 22U

HP	208 V	230 V	460 V	575 V
3	HLL36025	—	—	—
5	HLL36040	HLL36035	—	—
7,5	HLL36060	HLL36050	—	—
10	HLL36070	HLL36070	HLL36035	—
15	HLL36110	HLL36090	HLL36050	HLL36040
20	HLL36125	HLL36110	HLL36060	HLL36050
25	HLL36150	HLL36125	HLL36070	HLL36060
30	JLL36175	HLL36150	HLL36090	HLL36080
40	JLL36250	JLL36175	HLL36110	HLL36100
50	JLL36250	JLL36250	HLL36125	HLL36125
60	DLL36400E20 LLL36400U31XLY	JLL36250	HLL36150	HLL36150
75	DLL36400E20 LLL36400U31XLY	DLL36400E20 LLL36400U31XLY	JLL36175	HLL36150
100	DLL36600E20 LLL36600U31X	DLL36400E20 LLL36400U31XLY	JLL36250	JLL36175 <sup>1</sup>
125	DLL36600E20 <sup>2</sup> LLL36600U31X <sup>2</sup>	DLL36600E20 LLL36600U31X	JLL36250	JLL36250
150	MJL36600 <sup>3</sup>	DLL36600E20 <sup>2</sup> LLL36600U31X <sup>2</sup>	DLL36400E20 LLL36400U31XLY	JLL36250
200	—	MJL36800 <sup>3</sup>	DLL36400E20 LLL36400U31XLY	DLL36400E20 LLL36400U31XLY
250	—	—	DLL36600E20 LLL36600U31X	DLL36400E20 LLL36400U31XLY
300	—	—	DLL36600E20 <sup>2</sup> LLL36600U31X <sup>2</sup>	DLL36600E20 LLL36600U31X
350	—	—	MJL36800	—
400	—	—	MJL36800 <sup>3</sup>	MJL36600
500	—	—	—	MJL36800 <sup>1</sup>

**Disjoncteur avec l'option 610**

150	PLL34060 <sup>3</sup>	—	—	—
200	—	PLL34080 <sup>3</sup>	—	—
250	—	—	—	—
300	—	—	—	—
350	—	—	PLL34080	—
400	—	—	PLL34080 <sup>3</sup>	PKL36060
500	—	—	—	PKL36080 <sup>3</sup>

- <sup>1</sup> Un disjoncteur JLL36200 est fourni pour les armoires UL type 3R ou pour fonctionnement à 50 °C (122 °F)
- <sup>2</sup> Un disjoncteur PowerPact à châssis M ou P de 600 A est fourni pour les armoires classées UL type 3R ou 50 °C (122 °F).
- <sup>3</sup> Sélection valide pour armoires UL type 1 et UL type 12 seulement, non pour fonctionnement à 50 °C (122 °F) .



## Recommandations de fusibles d'alimentation, type 22F

L'utilisateur doit fournir et installer les fusibles de puissance dans les contrôleurs fournis avec des sectionneurs à fusible. Sélectionner les fusibles dans les tableaux 28 et 29 (page 84). Tous les contrôleurs 22 sous coffret acceptent les fusibles temporisés, class J, certifiés UL, selon le courant nominal pleine charge.

Sélectionner les fusibles en fonction des recommandations trouvées dans cette section et s'assurer qu'ils sont conformes aux codes locaux et nationaux concernant la sélection de la protection par fusibles et le courant pleine charge réel du moteur. Les sélections fournies dans les tableaux 28 et 29 sont conformes aux exigences de NFPA 70 (NEC, É.-U.) et le Code de l'électricité canadien (CEC) en fonction du courant nominal du contrôleur 22 sous coffret.

Pour commander des fusibles d'alimentation de Schneider Electric, se reporter à la section 5, Entretien, commençant à la page 108. Consulter l'usine pour le courant admissible d'autres fusibles.

**Tableau 28 : Courant admissible maximum des fusibles d'alimentation pour les contrôleurs munis d'un sectionneur à fusible (22F)**

HP	208 V	230 V	460 V	575 V
3	15	—	—	—
5	25	30	—	—
7,5	40	35	—	—
10	50	45	20	—
15	80	70	35	25
20	100	90	45	35
25	125	110	60	45
30	150	125	70	50
40	200	175	90	70
50	250	225	110	90
60	250	250	125	100
75	350	300	150	125
100	450	400	200	150
125	600	500	250	200
150	600 <sup>1</sup>	600	300	250
200	—	600 <sup>1</sup>	400	300
250	—	—	500	400
300	—	—	600	500
350	—	—	600	500
400	—	—	600 <sup>1</sup>	600
500	—	—	—	600 <sup>1</sup>

<sup>1</sup> Sélection valide pour armoires UL type 1 et UL type 12 seulement, non pour fonctionnement à 50 °C (122 °F) .

**Tableau 29 : Courant nominal de base des fusibles classe J certifiés UL fournis pour les contrôleurs munis d'un sectionneur à fusible (22F)**

HP	208 V	230 V	460 V	575 V
3	30	—	—	—
5	30	30	—	—
7,5	60	60	—	—
10	60	60	30	—
15	100	100	60	30
20	100	100	60	60
25	200	200	60	60
30	200	200	100	60
40	200	200	100	100
50	400	400	200	100
60	400	400	200	100
75	400	400	200	200
100	600	400	200	200
125	600	600	400	200
150	600 <sup>1</sup>	600	400	400
250	—	600 <sup>1</sup>	400	400
250	—	—	600	400
300	—	—	600	600
350	—	—	600	600
400	—	—	600 <sup>1</sup>	600
500	—	—	—	600 <sup>1</sup>

<sup>1</sup> Sélection valide pour armoires UL type 1 et UL type 12 seulement, non pour fonctionnement à 50 °C (122 °F) .

## Réglage du relais de surcharge

Toujours s'assurer que le réglage du relais de surcharge ne dépasse pas le courant pleine charge du moteur ou le courant nominal du contrôleur indiqué sur la plaque signalétique de ce dernier, selon le courant le moins élevé.

Les tableaux 30 et 31 indiquent les gammes de réglage pour les relais de surcharges conformément à la puissance nominale et à la tension. Contacter l'usine si la gamme de réglage ne correspond pas à l'application visée.

**Tableau 30 : Gammes de réglage du relais de surcharge pour un fonctionnement de contournement pleine tension (UL type 1 et type 12)**

HP	208 V	230 V	460 V	575 V
3	9–13	—	—	—
5	12–18	12–18	—	—
7,5	23–28	16–24	—	—
10	23–32	25–32	12–18	—
15	37–50	37–50	16–24	12–18
20	48–65	48–65	23–28	17–25
25	60–100	55–70	30–40	23–32
30	60–100	60–100	30–40	30–40

Page suivante

**Tableau 30 : Gammes de réglage du relais de surcharge pour un fonctionnement de contournement pleine tension (UL type 1 et type 12) (suite)**

HP	208 V	230 V	460 V	575 V
40	90–150	90–150	48–65	37–50
50	90–150	90–150	55–70	48–65
60	132–220	132–220	60–100	48–65
75	200–330	132–220	60–100	60–100
100	200–330	200–330	90–150	90–150
125	300–500	200–330	132–220	90–150
150	300–500	300–500	132–220	132–220
200	—	380–630	200–330	132–220
250	—	—	200–330	200–330
300	—	—	300–500	200–330
350	—	—	300–500	—
400	—	—	380–630	300–500
500	—	—	—	380–630

**Tableau 31 : Gammes de réglage du relais de surcharge pour un fonctionnement de contournement pleine tension (UL type 3R et 50 °C [122 °F])**

HP	208 V	230 V	460 V	575 V
3	9–13	—	—	—
5	12–18	12–18	—	—
7,5	17–25	16–24	—	—
10	23–32	23–32	12–18	—
15	37–50	37–50	16–24	12–18
20	48–65	48–65	23–28	17–25
25	60–100	60–100	30–40	23–32
30	60–100	60–100	30–40	30–40
40	90–150	90–150	48–65	37–50
50	132–220	90–150	60–100	48–65
60	132–220	132–220	60–100	48–65
75	200–330	132–220	60–100	60–100
100	200–330	200–330	90–150	90–150
125	300–500	200–330	132–220	90–150
150	—	300–500	132–220	132–220
200	—	—	200–330	132–220
250	—	—	200–330	200–330
300	—	—	200–330	200–330
350	—	—	300–500	300–500
400	—	—	—	300–500



## Section 4—Descriptions des circuits

### Précautions

#### **⚠ DANGER**

##### **RISQUE D'ÉLECTROCUTION, D'EXPLOSION OU D'ÉCLAIR D'ARC**

Lisez et comprenez les précautions dans la section « Avant de commencer » commençant à la page 8 avant d'effectuer les procédures dans cette section.

**Si ces directives ne sont pas respectées, cela entraînera la mort ou des blessures graves.**

#### **⚠ DANGER**

##### **FONCTIONNEMENT INATTENDU DE L'APPAREIL**

Avant de faire fonctionner le contrôleur 22 sous coffret :

- Lisez et comprenez le *Guide de l'utilisateur du ATS22*, BBV51330, avant de modifier les réglages par défaut des paramètres faits à l'usine. Reportez-vous au tableau 25 à la page 77 pour la séquence de réglage des paramètres.
- Si le démarreur progressif ATS22 est réarmé à l'aide de la fonction de réglage total ou partiel de l'usine, il doit être reprogrammé aux valeurs indiquées au tableau 25 à la page 77.
- Si le démarreur progressif ou la carte de contrôle principale du démarreur progressif est remplacé, le démarreur progressif doit être reprogrammé conformément aux directives données au tableau 25 à la page 77.

**Si ces directives ne sont pas respectées, cela peut entraîner la mort ou des blessures graves.**

### Circuit d'alimentation B : Déclencheur shunt de base

Le circuit d'alimentation à déclencheur shunt de base est une version optimisée pour l'espace du contrôleur 22 sous coffret. Un espace limité est fourni pour un appareil de contrôle pouvant se monter sur place.

Si un défaut est détecté, une bobine de déclenchement shunt dans le disjoncteur déclenche le disjoncteur, retirant toute alimentation sur le côté charge du sectionneur. Après avoir supprimé tous les défauts détectés, le sectionneur doit être réarmé pour pouvoir effectuer un redémarrage. La fonction du déclencheur shunt est coordonnée par un relais de temporisation (temps réglé à 2 secondes) signalé à partir du relais d'indication de déclenchement.

### Circuit d'alimentation S : Déclencheur shunt de fonctions complètes

Le circuit d'alimentation à déclencheur shunt de fonctions complètes est une version du contrôleur 22 sous coffret qui peut être totalement personnalisée. De l'espace supplémentaire est fourni pour les options produites sur commande et un appareil pouvant être installé sur place.

Si un défaut est détecté, une bobine de déclenchement shunt dans le disjoncteur déclenche le disjoncteur, retirant toute alimentation sur le côté charge du sectionneur. Après avoir supprimé tous les défauts détectés, le sectionneur doit être réarmé pour pouvoir effectuer un redémarrage. La

fonction du déclencheur shunt est coordonnée par un relais de temporisation (temps réglé à 2 secondes) signalé à partir du relais d'indication de déclenchement.

## Circuit d'alimentation N : Isolement non-inverseur

Le circuit d'alimentation non-inverseur fournit un contacteur d'isolement de ligne en amont du démarreur progressif ATS22 lorsque le démarreur ne fonctionne pas, le protégeant des surtensions transitoires dangereuses du système d'alimentation, dues à la foudre ou une commutation du condensateur. De l'espace supplémentaire est fourni pour les options produites sur commande et un appareil pouvant être installé sur place.

À la mise sous tension, le démarreur progressif reçoit une alimentation de contrôle. L'alimentation secteur reste isolée du démarreur progressif jusqu'à ce qu'une commande de mise en marche soit appliquée, auquel moment le contacteur d'isolement se ferme et le démarrage du moteur commence. En cas d'une détection de défaut, ou si la commande de mise en marche est retirée, le contacteur d'isolement s'ouvre.

**REMARQUE** : Si un arrêt progressif est programmé, le contacteur d'isolement restera fermé jusqu'à la fin du temps de rampe de l'arrêt progressif.

## Circuit d'alimentation R : Fonctionnement réversible

Le circuit d'alimentation réversible fournit un contacteur d'isolement de ligne en amont du démarreur progressif ATS22 lorsque le démarreur ne fonctionne pas, le protégeant des surtensions transitoires dangereuses du système d'alimentation, dues à la foudre ou une commutation du condensateur. De plus, les contacteurs inverseurs intégrés permettent la sélection du fonctionnement du moteur en avant ou en arrière.

À la mise sous tension, le démarreur progressif reçoit une alimentation de contrôle. L'alimentation secteur reste isolée du démarreur progressif jusqu'à ce que le sélecteur du sens de marche soit placé en marche avant ou arrière, auquel moment le contacteur du côté ligne se ferme et le démarrage du moteur commence. En cas de détection de défaut, ou si le sélecteur est mis à l'arrêt, le contacteur du côté ligne s'ouvre.

Un retard de démarrage intentionnel de 15 secondes est réglé à l'usine. Lorsque le sens de marche du moteur est inversé, placer le sélecteur d'abord en position d'arrêt jusqu'à ce que le moteur s'arrête complètement, puis sur le sens de marche désiré.

**REMARQUE** : La fonctionnalité de l'arrêt progressif n'est pas recommandée dans le circuit d'alimentation réversible. Un isolement de ligne est fourni quand la commande de marche est retirée. Le fonctionnement en mode automatique n'est pas recommandé.

## Circuit d'alimentation Y : Isolation avec contournement pleine tension intégré

L'isolation avec un circuit d'alimentation de contournement pleine tension intégré fournit la même fonctionnalité que le circuit d'alimentation N décrit ci-dessus. De plus, un démarreur de contournement pleine tension intégré est fourni au cas peu probable où le démarreur ne fonctionnerait plus.

Le démarreur de contournement pleine tension intégré comprend un relais de surcharge bimétallique ou transistorisé, classe 20, et un bouton de réarmement du relais de surcharge monté sur porte.

**REMARQUE** : La commutation entre le mode *normal* et le mode de *contournement* sans permettre au moteur de s'arrêter complètement n'est pas recommandée.

## Fonctionnement UL type 3R

Pour éviter toute condensation à l'intérieur du coffret, laisser l'alimentation du secteur sous tension même quand le moteur ne fonctionne pas.

## Options de contrôle

### Mod A06 : Boutons-poussoirs de démarrage-arrêt

L'option Mod A06 offre un bouton-poussoir de démarrage noir et un bouton-poussoir d'arrêt rouge, montés sur la porte, pour manœuvrer le contrôleur localement (schéma de contrôle à 3 fils).

- Le bouton-poussoir de démarrage envoie une commande au contrôleur pour démarrer le moteur.
- Le bouton-poussoir d'arrêt envoie une commande au contrôleur pour arrêter le moteur par un arrêt roue libre (réglage d'usine) ou en suivant la rampe de décélération.

### Mod B06 : Sélecteur avant-arrêt-arrière

L'option Mod B06 offre un sélecteur de marche avant-arrêt-arrière monté sur la porte pour manœuvrer le contrôleur (schéma de contrôle à 2 fils).

- Les modes de marche avant et arrière servent au contrôle du sens de fonctionnement des moteurs attachés aux applications qui exigent une rotation dans les deux sens. Lorsque le commutateur est mis sur l'une ou l'autre position, le contrôleur démarre le moteur dans le sens choisi.
- Le mode d'arrêt commande au contrôleur d'arrêter le moteur par un arrêt en roue libre. La programmation de la fonction d'arrêt progressif n'est pas recommandée car la tentative d'arrêt progressif déclenche le contrôleur.

Toujours laisser le moteur s'arrêter complètement avant de changer le sens de rotation.

### Mod C06 : Sélecteur, manuel-arrêt-auto

L'option Mod C06 offre un sélecteur manuel-arrêt-auto pour manœuvrer le contrôleur (schéma de contrôle à 2 fils).

- Le mode manuel est pour le contrôle local. Quand le mode manuel est choisi, le contrôleur démarre le moteur.
- Le bouton-poussoir d'arrêt envoie une commande au contrôleur pour arrêter le moteur par un arrêt roue libre (réglage d'usine) ou en suivant la rampe de décélération.
- Le mode auto est pour un contrôle à distance. En mode auto, le contrôleur démarre le moteur quand le contact de démarrage fourni par l'utilisateur est fermé entre les bornes 5 et 6 du contrôleur. Le contrôleur arrête le moteur quand le contact de démarrage fourni par l'utilisateur est ouvert. Voir le tableau 23 à la page 72.

### Mod D06 : Sélecteur arrêt-marche

L'option Mod D06 offre un sélecteur arrêt-marche monté sur la porte pour manœuvrer le contrôleur (schéma de contrôle à 2 fils).

- Le mode marche envoie une commande au contrôleur pour démarrer le moteur.
- Le mode arrêt envoie une commande au contrôleur pour arrêter le moteur par un arrêt roue libre (réglage d'usine) ou en suivant la rampe de décélération.

## Mod E06 : Sélecteur, manuel-auto et boutons-poussoirs de démarrage-arrêt

L'option Mod E06 fournit un sélecteur noir, manuel-automatique, monté sur la porte, un bouton-poussoir de démarrage et un bouton-poussoir d'arrêt (schéma de contrôle en mode mélangé).

- Le mode manuel est pour un contrôle local. En mode manuel :
  - Le bouton-poussoir de démarrage envoie une commande au contrôleur pour démarrer le moteur.
  - Le bouton-poussoir d'arrêt envoie une commande au contrôleur pour arrêter le moteur par un arrêt roue libre (réglage d'usine) ou en suivant la rampe de décélération.
- Le mode auto est pour un contrôle à distance. En mode auto, le contrôleur démarre le moteur quand le contact de démarrage fourni par l'utilisateur est fermé entre les bornes 5 et 6 du contrôleur. Le contrôleur arrête le moteur quand le contact de démarrage fourni par l'utilisateur est ouvert. Voir le tableau 23 à la page 72. En mode auto :
  - Le bouton-poussoir de démarrage **n'envoie pas** de commande de démarrage du moteur au contrôleur localement.
  - Le bouton-poussoir d'arrêt **n'envoie pas** de commande d'arrêt au contrôleur. Pour arrêter le contrôleur, retirer la commande de démarrage en mode automatique ou mettre hors tension le sectionneur du secteur.

## Pas d'opérateurs de contrôle

Les opérateurs de contrôle montés sur la porte ne sont pas fournis. Ne pas sélectionner d'option de contrôle lors d'une commande pour ne recevoir aucun opérateur.

## Options de groupes de lampes-témoins

### Mod A07 : Groupe de lampes-témoins n° 1

L'option Mod A07 offre les lampes-témoins de marche (On) rouge et d'arrêt (Off) verte pour indiquer l'état.

### Mod B07 : Groupe de lampes-témoins n° 2

L'option Mod B07 offre les lampes-témoins de marche (On) rouge (pousser-pour-vérifier) et d'arrêt (Off) verte (pousser-pour-vérifier) pour indiquer l'état.

### Mod C07 : Groupe de lampes-témoins n° 3

L'option Mod C07 offre les lampes-témoins de marche (On) rouge et d'arrêt (Off) et jaune de déclenchement pour indiquer l'état.

### Mod D07 : Groupe de lampes-témoins n° 4

L'option Mod D07 offre les lampes-témoins de marche (On) rouge (pousser-pour-vérifier) et d'arrêt (Off) verte (pousser-pour-vérifier) et jaune de déclenchement pour indiquer l'état. La lampe-témoin jaune de déclenchement comporte un bouton-poussoir qui sert également à réarmer un déclenchement du démarreur progressif ATS22.

## Pas de lampes-témoins

Aucune lampe-témoin montée sur porte n'est fournie. Négliger la sélection d'une option de lampes-témoins lors d'une commande pour ne recevoir aucune lampe-témoin.



## Options de mesure

### Mod B08 : Compteur de temps de fonctionnement écoulé

L'option Mod B08 fournit un compteur de temps de fonctionnement écoulé monté sur porte, indiquant le nombre d'heures de fonctionnement du contrôleur.

## Options diverses

### Mod A10 : Kit de montage au sol

L'option Mod A10 pour l'armoire D comprend un kit pour le montage de l'appareil sur le sol.

### Mod B10 : Alimentation de contrôle de 150 VA

L'option Mod B10 fournit une capacité supplémentaire de VA sur le transformateur de l'alimentation de contrôle pour alimenter les circuits de contrôle et des appareils pouvant être installés sur place.

### Mod C10 : Retard de l'activation à la mise sous tension

L'option Mod C10 fournit une fonction de démarrage en retard. Le retard est programmable entre une et trente secondes en réglant le temporisateur ODRT. Le réglage d'usine est quinze secondes.

### Mod D10 : Bouton-poussoir d'arrêt d'urgence

L'option Mod D10 fournit un bouton-poussoir d'arrêt d'urgence monté sur porte. Lorsque l'option est sélectionnée, le sectionneur est fourni avec une fonction de déclencheur shunt. Le fait d'appuyer sur le bouton-poussoir d'arrêt d'urgence déclenchera le sectionneur, coupant toute alimentation électrique du contrôleur.

**REMARQUE :** Pour rétablir le fonctionnement, il faut tirer sur le bouton-poussoir et remettre le sectionneur à la position d'arrêt (hors tension) puis à la position de marche (sous tension).

### Mod E10 : Étiquette cUL

L'option Mod E10 offre une étiquette « Canadian Underwriters Laboratories » lorsque cela est requis par des exigences de codes locaux.

### Mod F10 : Contact auxiliaire pour l'indication du mode marche

#### Circuit d'alimentation B05

L'option Mod F10 fournit un contact de type A normalement ouvert (N.O.), d'une intensité nominale de 5 A à 120 V~, câblé aux borniers. Les contacts changent d'état quand le contrôleur alimente le moteur.

#### Circuit d'alimentation S05, N05, R05 et Y05

L'option Mod F10 fournit un jeu de contacts de type C, d'une intensité nominale de 5 A à 120 V~, câblés aux borniers. Les contacts changent d'état quand le contrôleur alimente le moteur.

### Mod G10 : Contact auxiliaire pour l'indication de marche du contournement

L'option Mod G10 fournit un contact de type C, d'une intensité nominale de 5 A à 120 V~, câblé aux borniers. Le contact se ferme quand le contrôleur alimente le moteur.

### Mod H10 : Contact auxiliaire pour l'indication du mode auto

**REMARQUE :** Le Mod C06 (sélecteur manuel-arrêt-auto) ou E06 (sélecteur manuel-auto) doit être spécifié avec le Mod H10.

### Circuit d'alimentation B05

L'option Mod H10 fournit un contact de type A, normalement ouvert (N.O.), d'une intensité nominale de 5 A à 120 V~, câblé aux borniers. Le contact change d'état quand le contrôleur est mis en mode auto (à distance).

### Circuit d'alimentation S05, N05 et Y05

L'option Mod H10 fournit un jeu de contacts de type C, d'une intensité nominale de 5 A à 120 V~, câblés aux borniers. Les contacts changent d'état quand le contrôleur est mis en mode auto (à distance). Le fonctionnement en mode automatique n'est pas recommandé pour les applications réversibles de sorte que cette option n'est pas fournie pour le circuit d'alimentation R05.

### Mod J10 : Contact auxiliaire pour l'indication d'une condition de déclenchement

#### Circuit d'alimentation B05

L'option Mod J10 fournit un contact de type A, normalement ouvert (N.O.), d'une intensité nominale de 5 A à 120 V~, câblé aux borniers. Les contacts changent d'état quand le contrôleur détecte un défaut ou se déclenche.

#### Circuit d'alimentation S05, N05, R05 et Y05

L'option Mod J10 fournit un jeu de contacts de type C, d'une intensité nominale de 5 A à 120 V~, câblés aux borniers. Les contacts changent d'état quand le contrôleur détecte un défaut ou se déclenche.

### Mod L10 : Plaques signalétiques gravées par le client

L'option Mod L10 fournit des plaques signalétiques gravées de façon personnalisée pour le contrôleur, identifiant l'appareil ou l'équipement qu'il contrôle. Les renseignements gravés doivent être fournis lorsqu'une commande est placée.

### Mod M10 : Dix bornes supplémentaires non câblées

L'option Mod M10 fournit dix bornes de contrôle supplémentaires non câblées pour le câblage et l'interfaçage d'un appareil installé sur place. Les bornes ont une intensité nominale de 5 A à 250 V~.

### Mod P10 : Marqueurs de câbles permanents

L'option Mod P10 fournit des marqueurs de câbles de contrôle thermorétractables pour l'identification et le dépannage des circuits de contrôle.

### Mod R10 : Protection contre les surtensions transitoires

L'option Mod R10 fournit un dispositif de protection supplémentaire contre les surtensions transitoires pour protéger l'appareil contre les surtensions transitoires associées à certains systèmes de distribution d'alimentation électrique.

### Mod U10 : Omission d'un terminal d'exploitation monté sur la porte

L'option Mod U10 n'offre pas de terminal d'exploitation monté sur la porte. Une plaque de fermeture et un joint sont fournis sur la porte. Voir « Programmation avec l'option omettre le terminal d'exploitation (U10) ou l'option d'armoire UL type 3R (H03) » à la page 77. Pour programmer ou contrôler le démarreur progressif ATS22 au moyen du port de communication Modbus, se reporter au *Guide de l'utilisateur du ATS22*, BBV51330.

### Mod X10 : Fonctionnement à 50 °C

Avec le Mod X10 l'appareil peut être utilisé dans un milieu avec une température nominale supérieure à 40 °C (104 °F) jusqu'à un maximum de 50 °C (122 °F) sans déclassement.

**REMARQUE :** La température nominale de 50 °C est standard pour les armoires UL type 3R (H03).

### **Mod Z10 : Entrée de service**

L'option Mod Z10 offre un assemblage de cosses neutre-terre isolé approuvé selon UL869A et un support de montage avec un fil de m.à.l.t. relié à l'armoire qui convient à une utilisation comme appareil d'entrée de service. L'option d'entrée de service n'est pas disponible avec l'option Mod E10 (étiquette cUL).

### **Mod Y10 : Qualifié anti-séisme**

L'option Mod Y10 fournit une étiquette de certification indiquant que l'armoire est qualifiée avec le protocole d'essai de critères d'acceptation de classe sismique AC156 avec un facteur d'importance de 1,5. Se reporter à la section « Critères de montage pour la qualification sismique » à la page 32.

### **Mod 610 : Valeur nominale d'interruption élevée**

L'option Mod 610 fournit une valeur nominale d'interruption élevée pour les contrôleurs 22 sous coffret de tailles E et G avec déconnexion par disjoncteur (22U). Les valeurs nominales standard de court circuit sont de 65 kA à 460 V et 25 kA à 575 V. La sélection de ces valeurs nominales augmente la valeur nominale de court-circuit à 100 kA à 460 V ou 50 kA à 575 V. L'option n'est pas valide avec les types de sectionneurs magnétiques seulement (22T) ou à fusible (22F). Ces types de sectionneurs sont fournis avec une valeur nominale d'interruption élevée par défaut.

### **Mod 910 : Option ARRA**

Sélectionner l'option Mod 910 pour se conformer aux exigences de la loi américaine de la récupération et du réinvestissement (ARRA) de 2009 (Pub.L. 111-5). L'appareil sera assemblé aux É.-U.

Figure 43 : Schéma de contrôle élémentaire du circuit d'alimentation B05, Mod A06, boutons-poussoirs marche-arrêt

**REMARQUE :** Des schémas élémentaires sont fournis à titre de référence uniquement. Le choix de dispositifs de commande, d'options de contrôle, de mesure et d'options diverses peut entraîner des différences concernant le schéma élémentaire des circuits de contrôle et le fonctionnement. Toujours se reporter à la documentation fournie avec l'appareil pour des options spécifiques et toute modification requise. Voir la page 104 pour des informations supplémentaires.

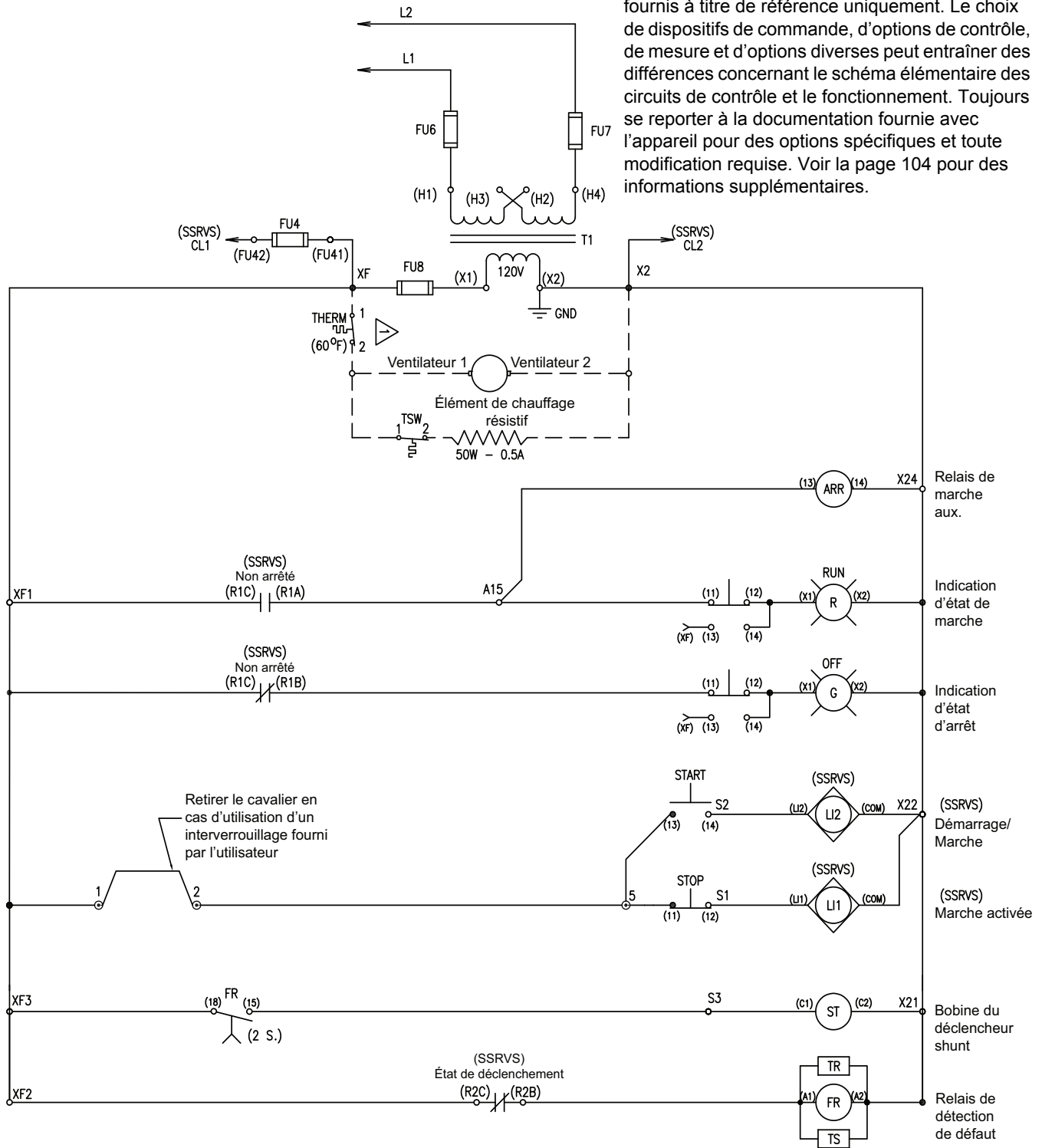
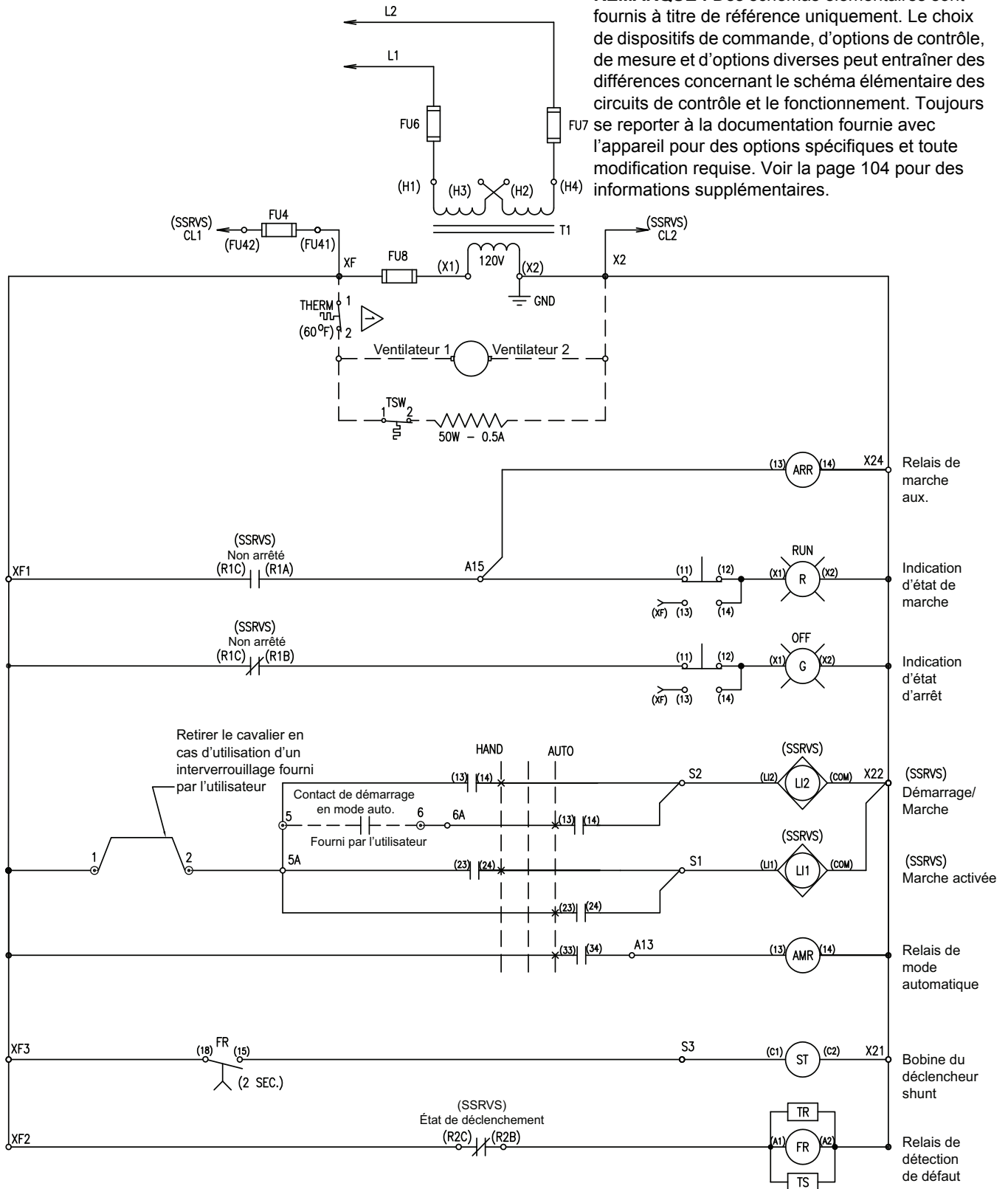


Figure 44 : Schéma de contrôle élémentaire du circuit d'alimentation B05, Mod C06, sélecteur manuel-arrêt-auto

**REMARQUE :** Des schémas élémentaires sont fournis à titre de référence uniquement. Le choix de dispositifs de commande, d'options de contrôle, de mesure et d'options diverses peut entraîner des différences concernant le schéma élémentaire des circuits de contrôle et le fonctionnement. Toujours se reporter à la documentation fournie avec l'appareil pour des options spécifiques et toute modification requise. Voir la page 104 pour des informations supplémentaires.



FRANÇAIS

Figure 45 : Schéma de contrôle élémentaire du circuit d'alimentation B05, Mod D06, sélecteur arrêt-marche

**REMARQUE :** Des schémas élémentaires sont fournis à titre de référence uniquement. Le choix de dispositifs de commande, d'options de contrôle, de mesure et d'options diverses peut entraîner des différences concernant le schéma élémentaire des circuits de contrôle et le fonctionnement. Toujours se reporter à la documentation fournie avec l'appareil pour des options spécifiques et toute modification requise. Voir la page 104 pour des informations supplémentaires.

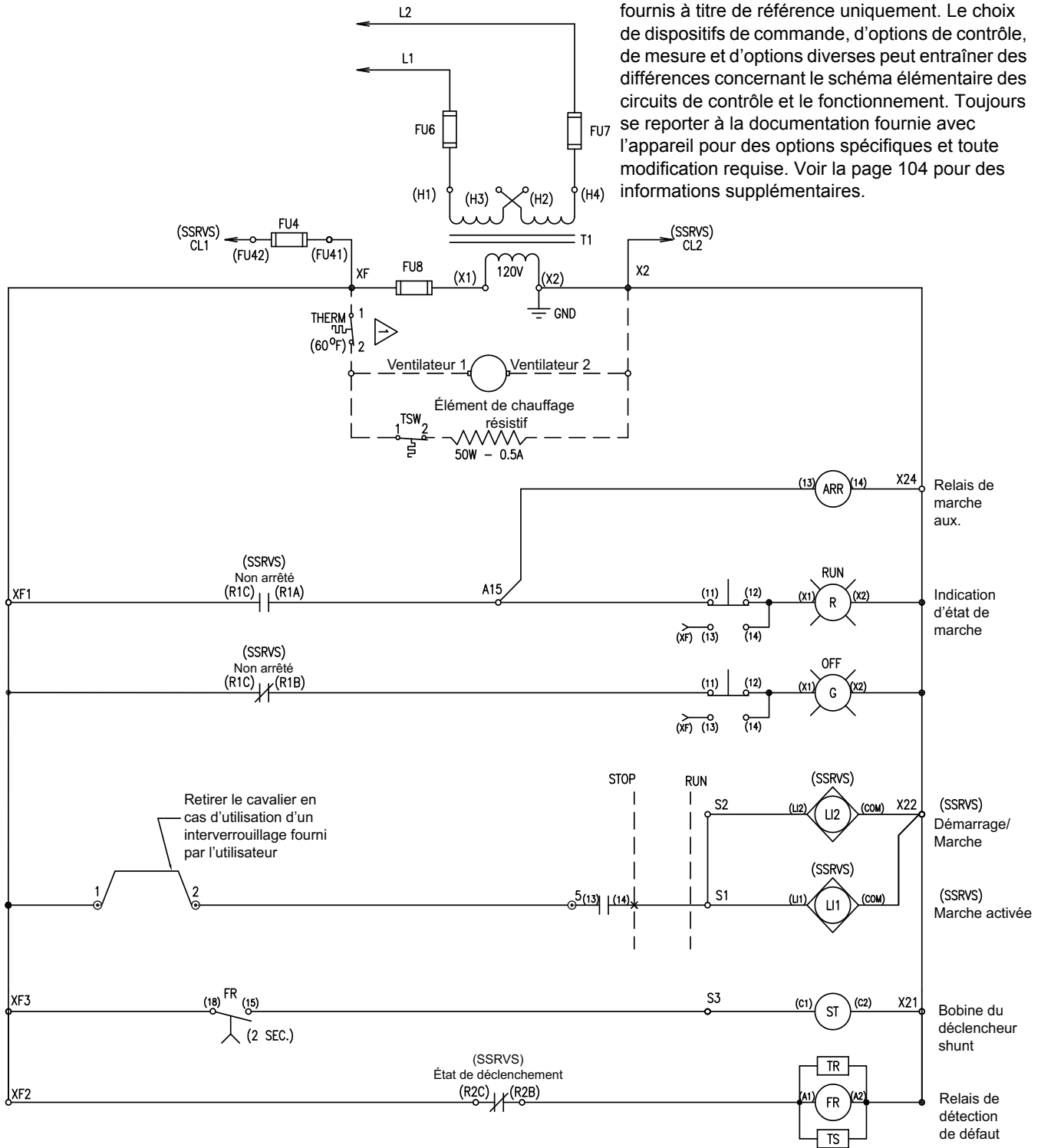
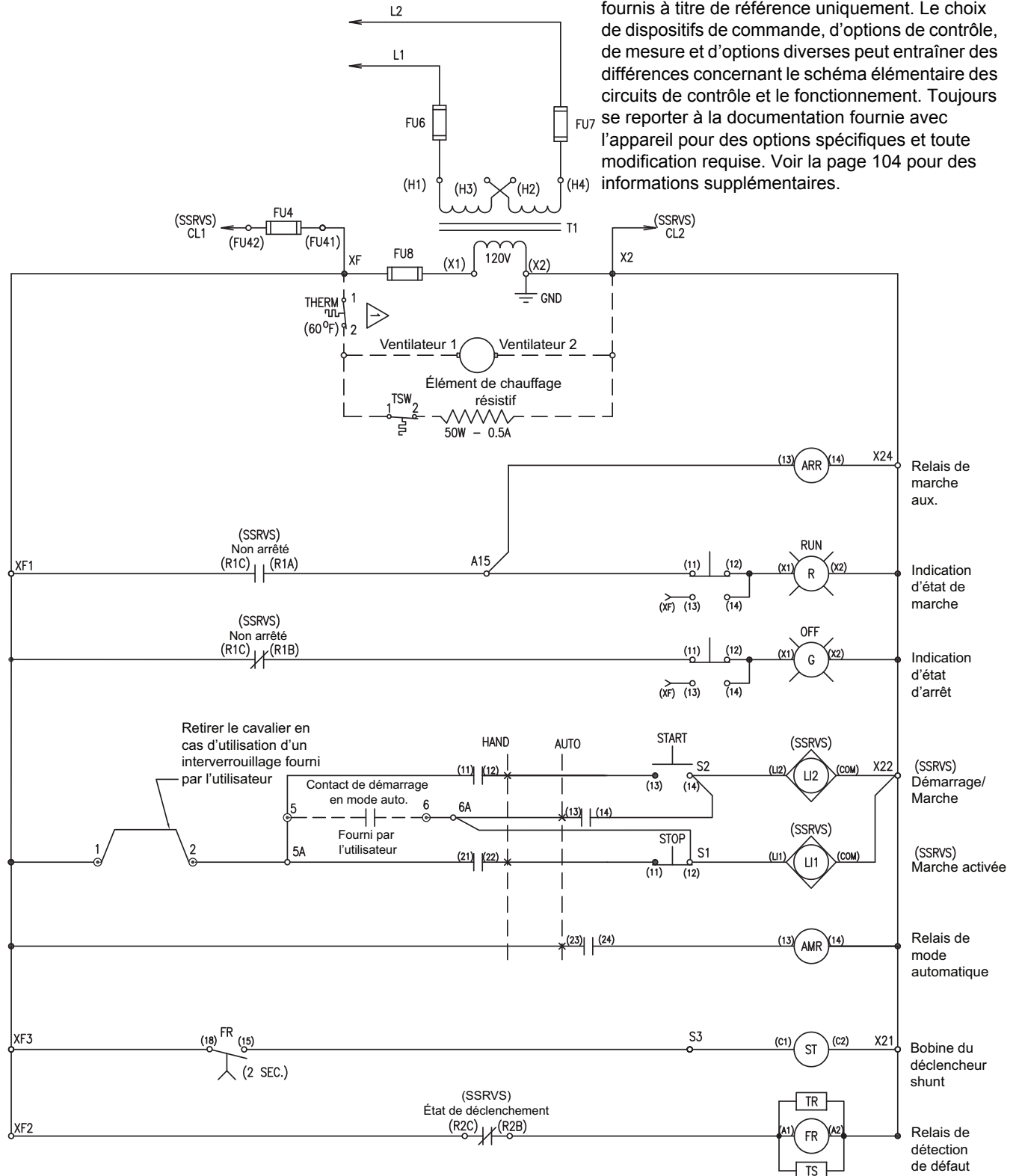


Figure 46 : Schéma de contrôle élémentaire du circuit d'alimentation B05, Mod E06, sélecteur manuel-auto et boutons-poussoirs marche-arrêt

**REMARQUE :** Des schémas élémentaires sont fournis à titre de référence uniquement. Le choix de dispositifs de commande, d'options de contrôle, de mesure et d'options diverses peut entraîner des différences concernant le schéma élémentaire des circuits de contrôle et le fonctionnement. Toujours se reporter à la documentation fournie avec l'appareil pour des options spécifiques et toute modification requise. Voir la page 104 pour des informations supplémentaires.



FRANÇAIS

Figure 47 : Schéma de contrôle élémentaire du circuit d'alimentation B05, sans opérateurs de contrôle

**REMARQUE :** Des schémas élémentaires sont fournis à titre de référence uniquement. Le choix de dispositifs de commande, d'options de contrôle, de mesure et d'options diverses peut entraîner des différences concernant le schéma élémentaire des circuits de contrôle et le fonctionnement. Toujours se reporter à la documentation fournie avec l'appareil pour des options spécifiques et toute modification requise. Voir la page 104 pour des informations supplémentaires.

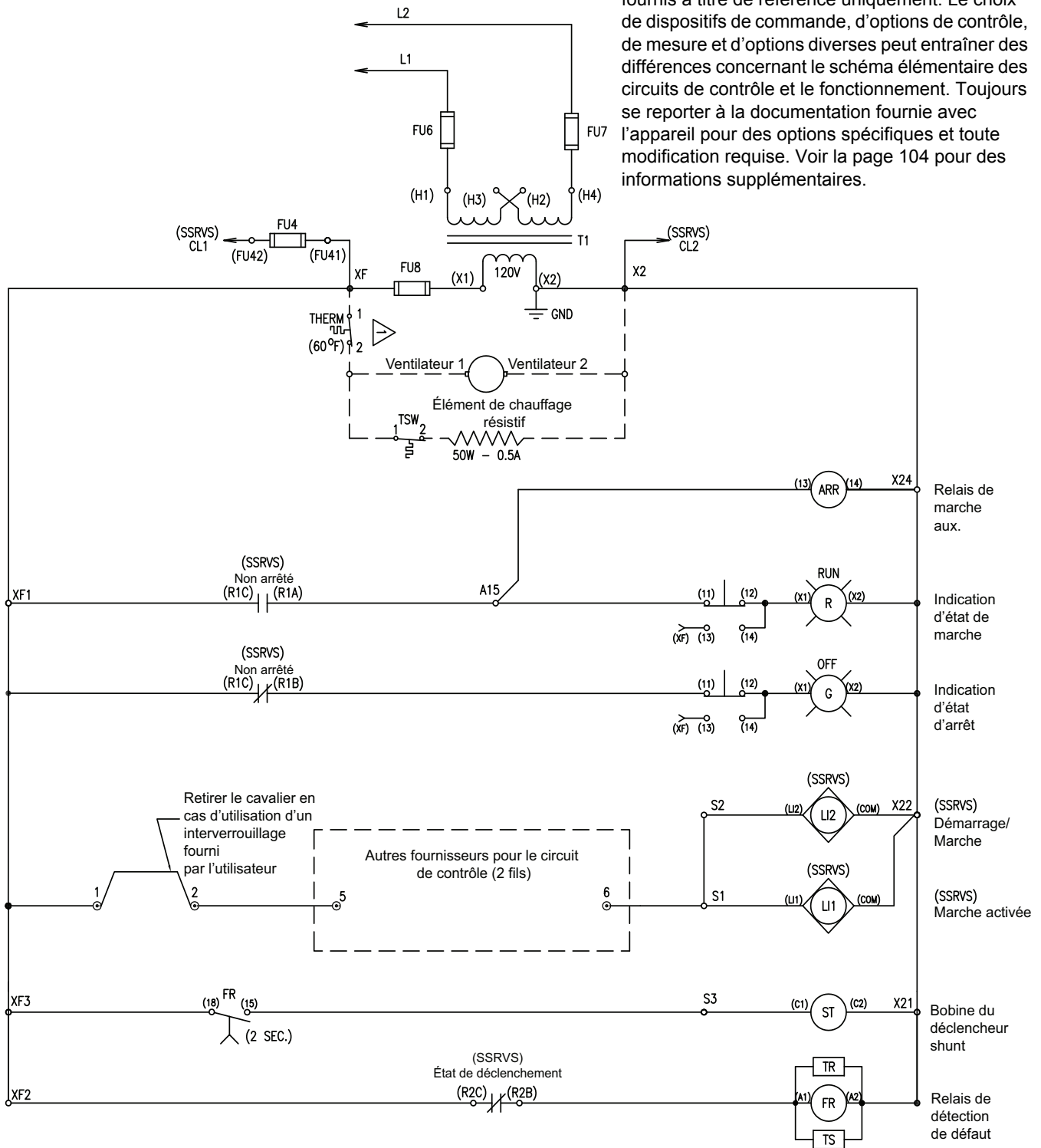
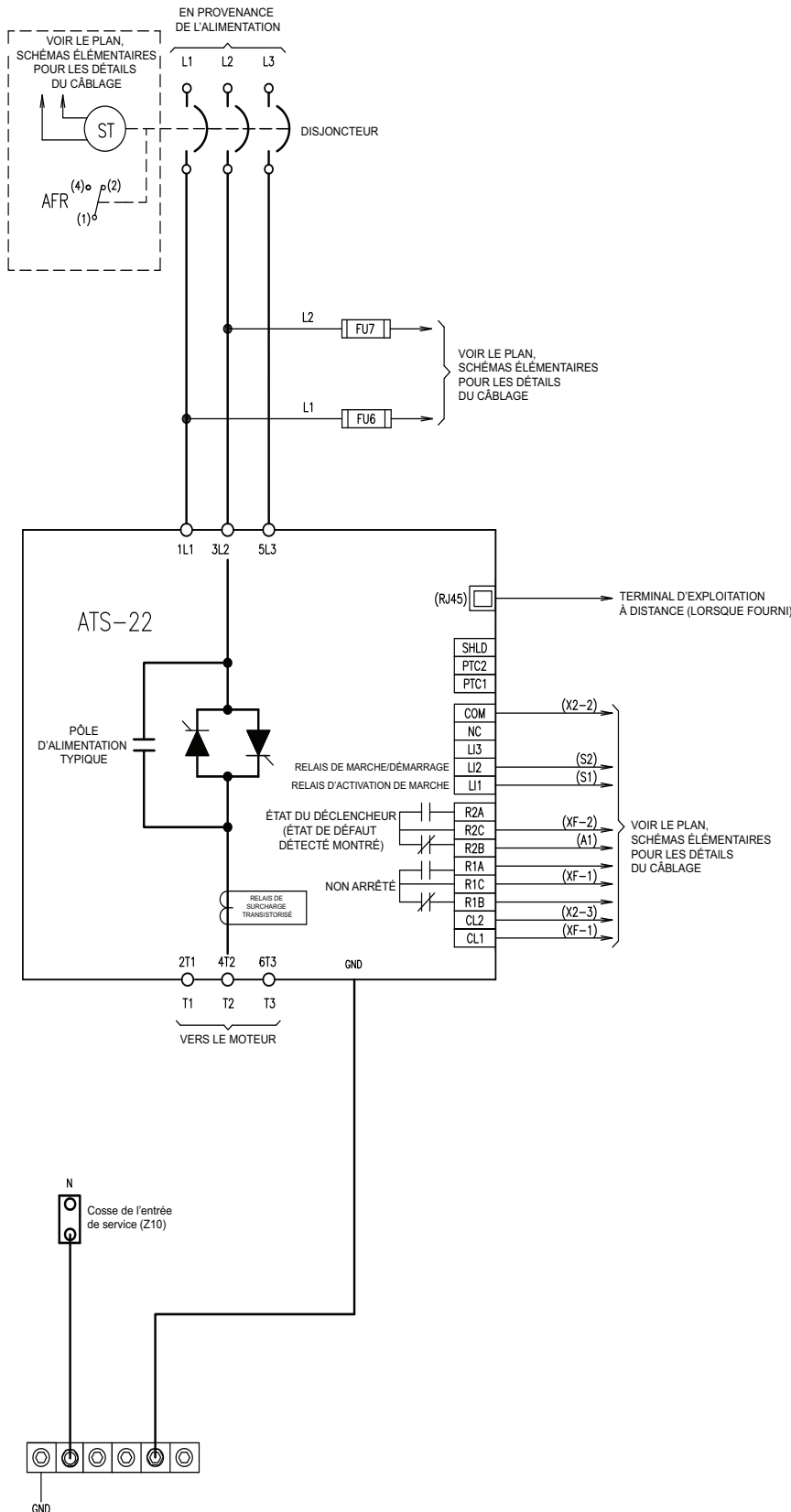




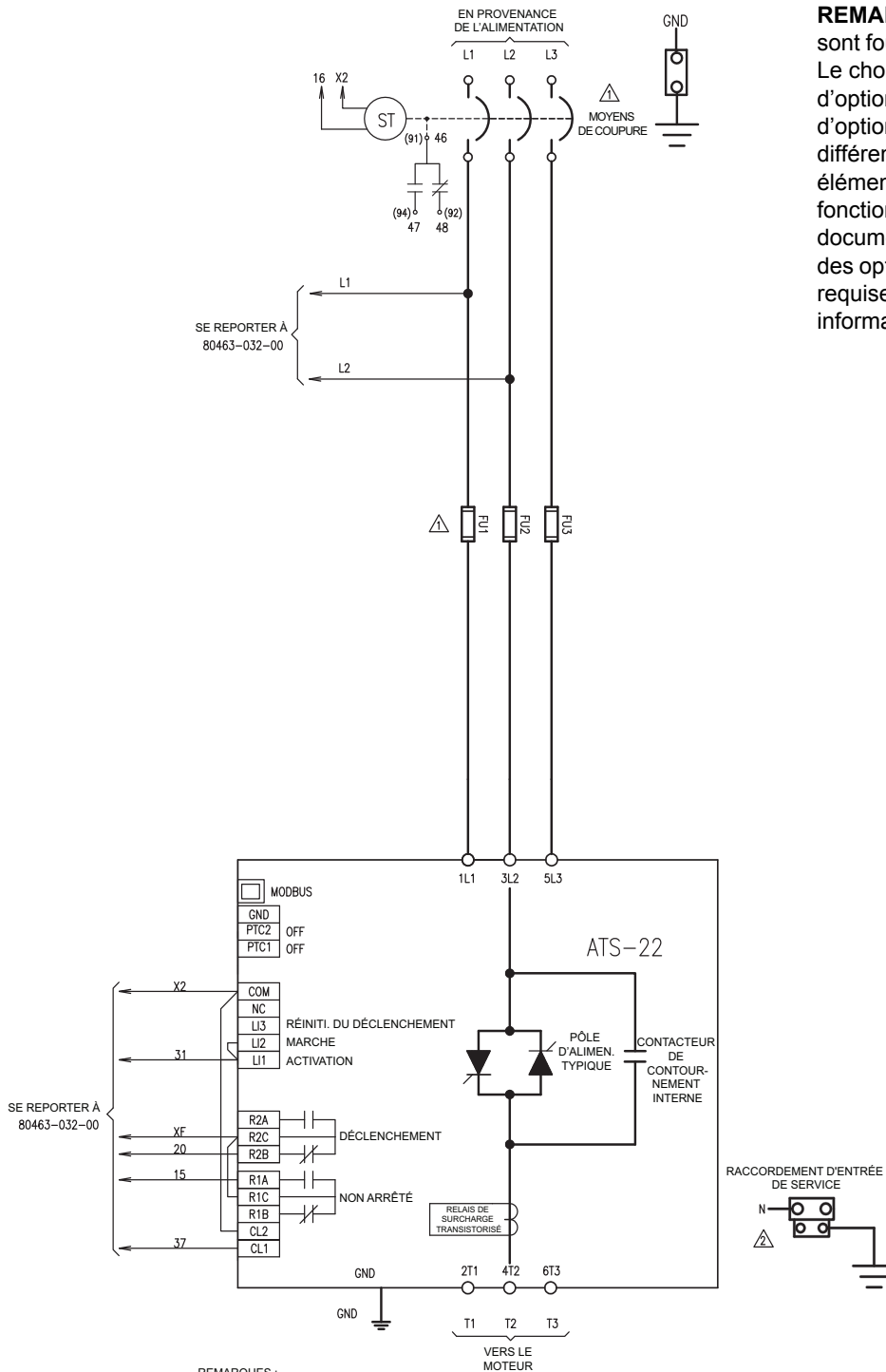
Figure 48 : Schéma de circuit d'alimentation B05



**REMARQUE :** Des schémas élémentaires sont fournis à titre de référence uniquement. Le choix de dispositifs de commande, d'options de contrôle, de mesure et d'options diverses peut entraîner des différences concernant le schéma élémentaire des circuits de contrôle et le fonctionnement. Toujours se reporter à la documentation fournie avec l'appareil pour des options spécifiques et toute modification requise. Voir la page 104 pour des informations supplémentaires.

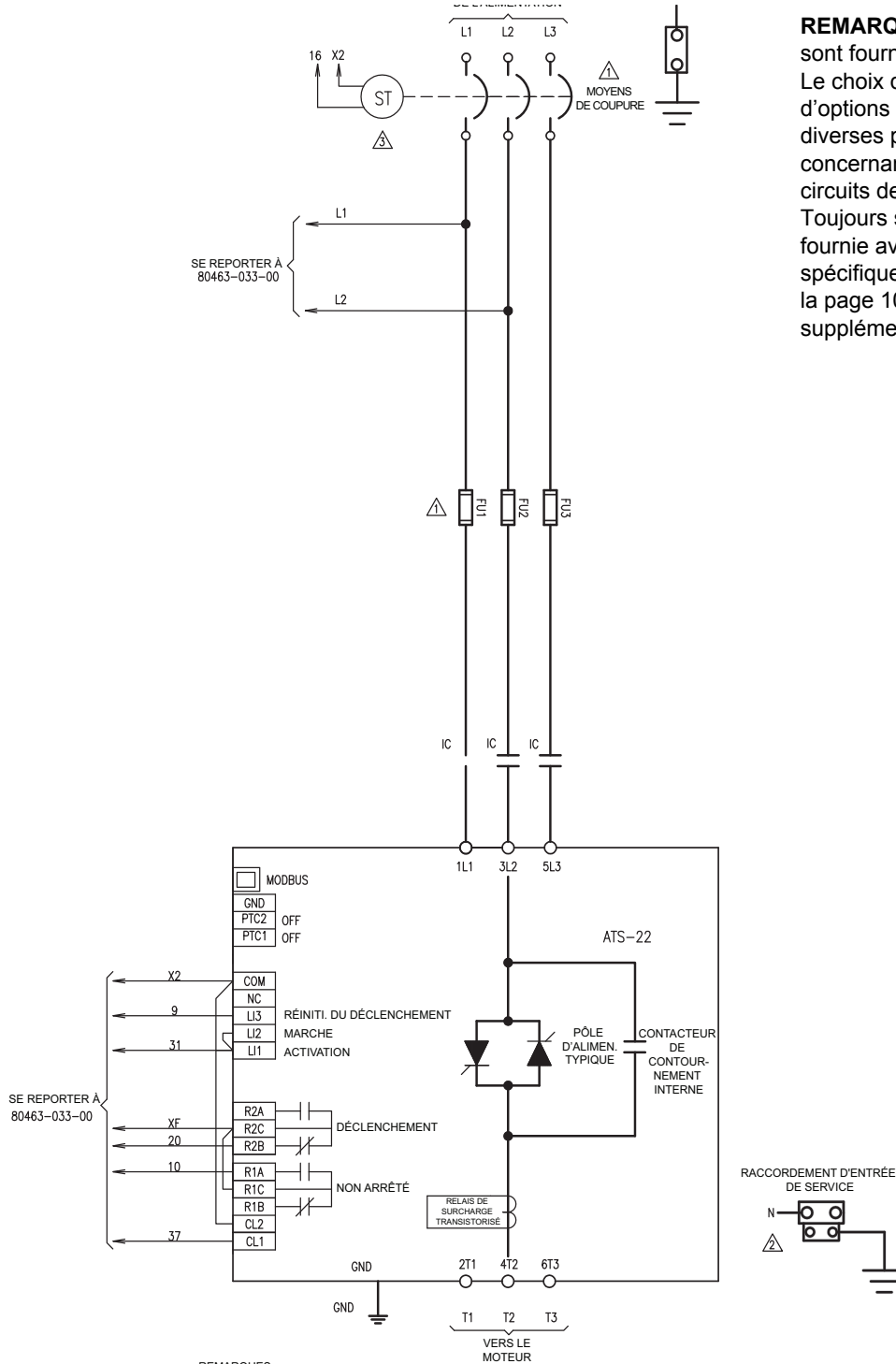
FRANÇAIS

Figure 49 : Schéma de circuit d'alimentation S05



**REMARQUE :** Des schémas élémentaires sont fournis à titre de référence uniquement. Le choix de dispositifs de commande, d'options de contrôle, de mesure et d'options diverses peut entraîner des différences concernant le schéma élémentaire des circuits de contrôle et le fonctionnement. Toujours se reporter à la documentation fournie avec l'appareil pour des options spécifiques et toute modification requise. Voir la page 104 pour des informations supplémentaires.

Figure 50 : Schéma de circuit d'alimentation N05



REMARQUES :

⚠ DISPOSITIF CLASSE 8638 REPRÉSENTÉ. LE MOYEN DE COUPURE EST UN INTERRUPTEUR À BOÎTIER MOULÉ ET LES FUSIBLES FU1, FU2 ET FU3 SONT FOURNIS PAR L'UTILISATEUR. LES PORTE-FUSIBLES SONT DE LA CLASSE J.

POUR LE DISPOSITIF DE CLASSE 8639, LE MOYEN DE COUPURE EST UN DISJONCTEUR ET LES PORTE-FUSIBLES POUR FU1, FU2 ET FU3 NE SONT PAS FOURNIS.

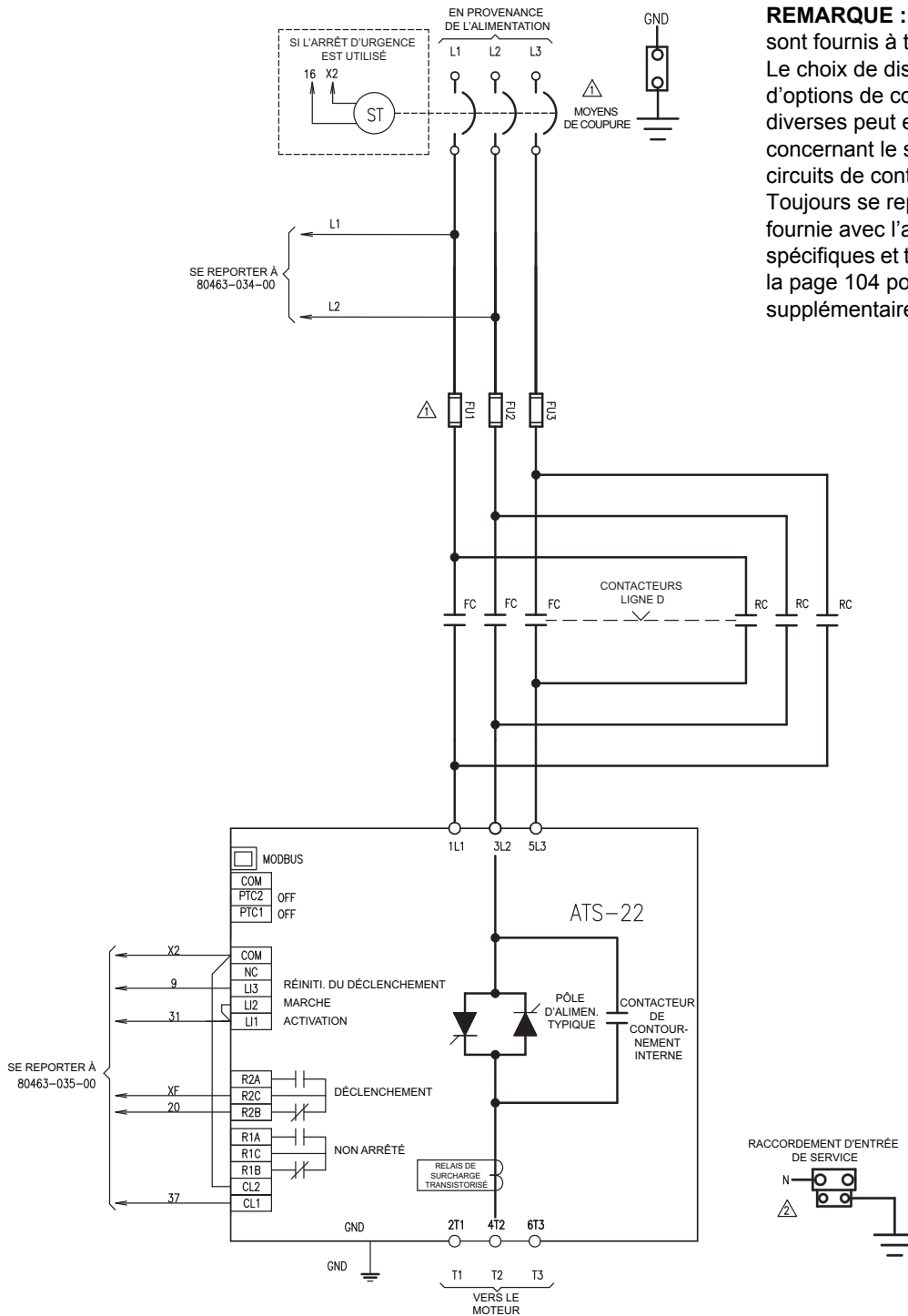
⚡ ENTRÉE DE SERVICE FOURNIE AVEC L'OPTION Z10, L'ENTRÉE DE SERVICE EST COMMANDÉE.

⚠ MODULE DE DÉCLENCHEMENT SHUNT INSTALLÉ AVEC L'OPTION D10, L'ARRÊT D'URGENCE EST COMMANDÉ.

**REMARQUE :** Des schémas élémentaires sont fournis à titre de référence uniquement. Le choix de dispositifs de commande, d'options de contrôle, de mesure et d'options diverses peut entraîner des différences concernant le schéma élémentaire des circuits de contrôle et le fonctionnement. Toujours se reporter à la documentation fournie avec l'appareil pour des options spécifiques et toute modification requise. Voir la page 104 pour des informations supplémentaires.

FRANÇAIS

Figure 51 : Schéma de circuit d'alimentation R05



**REMARQUE :** Des schémas élémentaires sont fournis à titre de référence uniquement. Le choix de dispositifs de commande, d'options de contrôle, de mesure et d'options diverses peut entraîner des différences concernant le schéma élémentaire des circuits de contrôle et le fonctionnement. Toujours se reporter à la documentation fournie avec l'appareil pour des options spécifiques et toute modification requise. Voir la page 104 pour des informations supplémentaires.

REMARQUES :

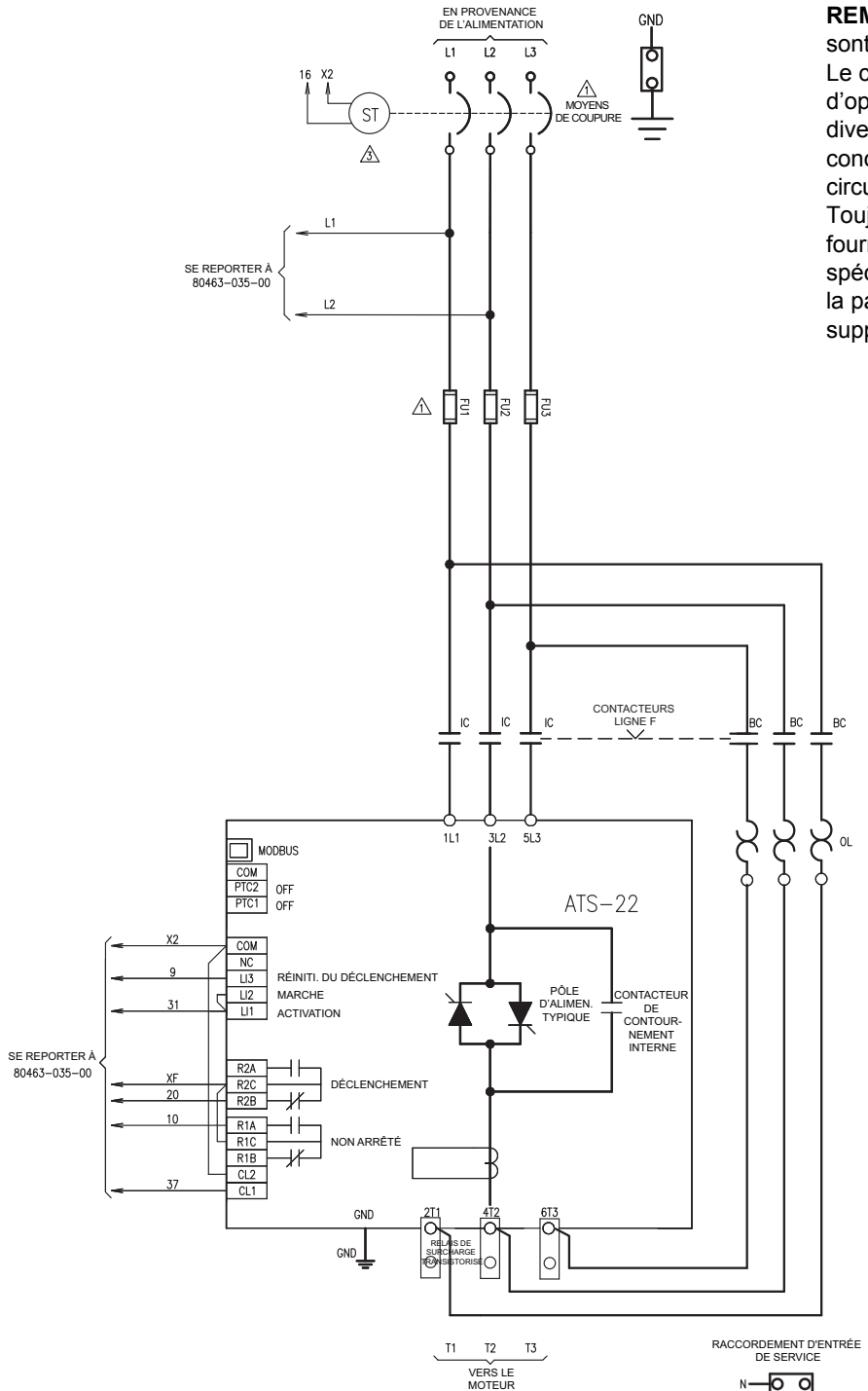
⚠ DISPOSITIF CLASSE 8638 REPRÉSENTÉ. LE MOYEN DE COUPURE EST UN INTERRUPTEUR À BÔTIER MOULÉ ET LES FUSIBLES FU1, FU2 ET FU3 SONT FOURNIS PAR L'UTILISATEUR. LES PORTE-FUSIBLES SONT DE LA CLASSE J.

POUR LE DISPOSITIF DE CLASSE 8639, LE MOYEN DE COUPURE EST UN DISJONCTEUR ET LES PORTE-FUSIBLES POUR FU1, FU2 ET FU3 NE SONT PAS FOURNIS.

⚠ ENTRÉE DE SERVICE FOURNIE AVEC L'OPTION Z10, L'ENTRÉE DE SERVICE EST COMMANDÉE.

⚠ MODULE DE DÉCLANCHEMENT SHUNT INSTALLÉ AVEC L'OPTION D10, L'ARRÊT D'URGENCE EST COMMANDÉ.

Figure 52 : Schéma de circuit d'alimentation Y05



**REMARQUE :** Des schémas élémentaires sont fournis à titre de référence uniquement. Le choix de dispositifs de commande, d'options de contrôle, de mesure et d'options diverses peut entraîner des différences concernant le schéma élémentaire des circuits de contrôle et le fonctionnement. Toujours se reporter à la documentation fournie avec l'appareil pour des options spécifiques et toute modification requise. Voir la page 104 pour des informations supplémentaires.

REMARQUES :

- ⚠ DISPOSITIF CLASSE 8638 REPRÉSENTÉ. LE MOYEN DE COUPURE EST UN INTERRUPTEUR À BÔTIER MOULÉ ET LES FUSIBLES FU1, FU2 ET FU3 SONT FOURNIS PAR L'UTILISATEUR. LES PORTE-FUSIBLES SONT DE LA CLASSE J.
- ⚠ POUR LE DISPOSITIF DE CLASSE 8639, LE MOYEN DE COUPURE EST UN DISJONCTEUR ET LES PORTE-FUSIBLES POUR FU1, FU2 ET FU3 NE SONT PAS FOURNIS.
- ⚠ ENTRÉE DE SERVICE FOURNIE AVEC L'OPTION Z10, L'ENTRÉE DE SERVICE EST COMMANDÉE.
- ⚠ MODULE DE DÉCLENCHEMENT SHUNT INSTALLÉ AVEC L'OPTION D10, L'ARRÊT D'URGENCE EST COMMANDÉ.

FRANÇAIS

## Schémas électriques produits sur commande

Pour les circuits d'alimentation S05, N05, R05 et Y05, se reporter à la documentation fournie avec le contrôleur pour les schémas spécifiques et les options fournis. Les schémas de circuit d'alimentation fournis dans ce manuel sont à titre de référence uniquement.

Contactez l'usine pour des copies ou de la documentation supplémentaires pour les options produites sur commande. Consultez la section « Assistance technique » à la page 107.

## Section 5—Entretien

### Précautions

Avant de remplacer des pièces dans le contrôleur 22 sous coffret, lire et observer les messages de sécurité suivants et tous autres messages de sécurité fournis dans ces directives d'utilisation.

#### DANGER

##### RISQUE D'ÉLECTROCUTION, D'EXPLOSION OU D'ÉCLAIR D'ARC

- Lisez et comprenez ces directives d'utilisation avant d'installer et de faire fonctionner le contrôleur 22 sous coffret. L'installation, le réglage, les réparations et l'entretien doivent être effectués exclusivement par du personnel qualifié.
- L'utilisateur est responsable de la conformité avec tous les codes électriques nationaux et locaux en vigueur concernant la mise à la terre de tous les appareils.
- De nombreuses pièces de ce contrôleur, y compris les cartes de circuits imprimés, fonctionnent à la tension du réseau. **NE TOUCHEZ PAS.** N'utilisez que des outils dotés d'une isolation électrique.
- Quelques bornes sont porteuses de tension lorsque le sectionneur est ouvert.
- Avant tout entretien ou réparation sur le contrôleur :
  - Coupez toute l'alimentation y compris l'alimentation de contrôle externe pouvant être présente avant de travailler sur le contrôleur.
  - Placez une étiquette « NE METTEZ PAS SOUS TENSION » sur le sectionneur.
  - Verrouillez le sectionneur en position ouverte.
- Installez et fermez tous les couvercles et toutes les portes avant de mettre le contrôleur sous tension, de le mettre en marche ou de l'arrêter.

**Si ces directives ne sont pas respectées, cela entraînera la mort ou des blessures graves.**

#### DANGER

##### RISQUE D'ÉLECTROCUTION, D'EXPLOSION OU D'ÉCLAIR D'ARC

- Portez un équipement de protection personnelle (ÉPP) approprié et observez les méthodes de travail électrique sécuritaire. Voir NFPA 70E.
- Seul un personnel qualifié doit effectuer l'installation et l'entretien de cet appareil.
- Coupez l'alimentation de l'appareil avant d'y travailler.
- Utilisez toujours un dispositif de détection de tension à valeur nominale appropriée pour vous assurer que l'alimentation est coupée.
- Remplacez tous les dispositifs, les portes et les couvercles avant de mettre l'appareil sous tension.

**Si ces directives ne sont pas respectées, cela entraînera la mort ou des blessures graves.**

## **⚠ AVERTISSEMENT**

### **PERTE DE CONTRÔLE**

- Le concepteur des schémas de contrôle doit tenir compte les problèmes potentiels dans les chemins de contrôle et, pour certaines fonctions de contrôle critiques, fournir un moyen d'obtenir un état sécuritaire pendant et après la défaillance d'un chemin. Des exemples de fonctions de contrôle critiques sont l'arrêt de secours et l'arrêt sur surcourse.
- Des chemins de contrôle séparés ou redondants doivent être fournis pour les fonctions de contrôle critiques.
- Les chemins de contrôle du système peuvent inclure des liaisons de communication. Il faut tenir compte des implications des retards ou des pannes de transmission anticipés de la liaison.<sup>1</sup>
- Chaque contrôleur 22 sous coffret doit être essayé individuellement et attentivement pour assurer son bon fonctionnement avant sa mise en service.

**Si ces directives ne sont pas respectées, cela peut entraîner la mort, des blessures graves ou des dommages matériels.**

<sup>1</sup> Pour obtenir des informations supplémentaires, se reporter à NEMA ICS 1.1 (dernière édition), Safety Guidelines for the Application, Installation, and Maintenance of Solid State Control (Directives de sécurité pour l'application, l'installation et l'entretien d'un contrôle transistorisé).

## **⚠ ATTENTION**

### **TENSION DE LIGNE INCOMPATIBLE**

Avant de mettre sous tension et de configurer le contrôleur, assurez-vous que la tension du réseau est compatible avec la gamme de tension d'alimentation indiquée sur la plaque signalétique. Une tension de ligne incompatible peut entraîner des dommages matériels.

**Si ces directives ne sont pas respectées, cela peut entraîner des blessures ou des dommages matériels.**



## Signes externes de dommages

Les indications suivantes sont des signes de dommages externes :

- Couvercles ou parties de l'armoire fissurés, carbonisés ou endommagés
- Des dommages au terminal d'exploitation tels que des égratignures, perforations, marques de brûlures, brûlures par des produits chimiques, ou de l'humidité sur l'écran
- Des températures excessives des surfaces des armoires et conduits
- Des dommages aux conducteurs d'alimentation ou de contrôle
- Des bruits ou odeurs inhabituels provenant de l'appareil
- Température, humidité ou vibrations anormales

Si des signes d'endommagement externe sont détectés lors de la mise sous tension de l'appareil, en informer immédiatement le personnel d'exploitation et évaluer le risque de laisser le système sous tension. Avant de mettre l'appareil hors tension, consulter toujours le personnel responsable des mécanismes et du procédé.

## Codes de diagnostic

Le terminal d'exploitation affiche un certain nombre de codes de diagnostics et d'état pour indiquer le fonctionnement du contrôleur et les fonctions de circuit de détection, et pour aider avec l'entretien et le dépannage. Voir la fiche de dépannage à la page 108.

## Assistance technique

Lors d'un dépannage du contrôleur 22 sous coffret, examiner les symptômes des problèmes rapportés avec le personnel d'exploitation. Décrire le problème, identifier quand il a été observé pour la première fois et où il est apparu.

Observer le système et le procédé. Noter les données de la plaque signalétique de l'équipement périphérique et du moteur sur la fiche de dépannage du contrôleur 22 sous coffret fournie à la page 108. Copier ce formulaire au besoin.

Pour obtenir de l'aide et de l'assistance, contacter le groupe d'assistance pour les variateurs de vitesse (Drives Product Support Group). Le personnel du groupe d'assistance aux produits est disponible de 8 h. à 18 h., du lundi au vendredi inclus, fuseau horaire de la côte est, pour aider à la sélection des produits, à la mise en service et au diagnostic de problèmes avec des produits ou applications. Une assistance par téléphone en cas d'urgence est disponible 24 heures sur 24, les 365 jours de l'année.

Numéro d'appel gratuit	1-888-778-2733 (É.-U.)
Courriel	drive.products.support@us.schneider-electric.com
Télécopie	919-217-6508

## Fiche de dépannage du contrôleur 22 sous coffret

Lors d'une demande de service après-vente, il est important de révéler toutes les conditions actuelles de fonctionnement de l'appareil. Cela aidera à diagnostiquer rapidement le système. **Appeler le groupe d'assistance aux produits au 1-888-778-2733; É.-U.**

DATE: \_\_\_\_\_  
 NOM DE CONTACT: \_\_\_\_\_  
 ENTREPRISE: \_\_\_\_\_  
 ADRESSE: \_\_\_\_\_  
 VILLE: \_\_\_\_\_  
 ÉTAT/ PROVINCE: \_\_\_\_\_  
 TÉLÉPHONE: \_\_\_\_\_  
 TÉLÉCOPIE: \_\_\_\_\_

### CONFIGURATION DU CONTRÔLEUR

N° DE CATALOGUE: \_\_\_\_\_  
 DÉSIGNATION DE L'APPLICATION/L'APPAREIL: \_\_\_\_\_

### DONNÉES DE LA PLAQUE SIGNALÉTIQUE DU MOTEUR

HP: \_\_\_\_\_ TENSION (TRIPHASÉE): \_\_\_\_\_ FRÉQUENCE: \_\_\_\_\_ PÔLES: \_\_\_\_\_ CPC (FLA): \_\_\_\_\_  
 FACTEUR DE SERVICE: \_\_\_\_\_ ISOLATION DU MOTEUR:  NOUVELLE OU  EXISTANTE  
 TYPE DE CÂBLE DU MOTEUR: \_\_\_\_\_ LONGUEUR EN PIEDS: \_\_\_\_\_  
 LE MOTEUR EST-IL CONÇU POUR RÉPONDRE AUX CONSIGNES NEMA MG-1 PARTIE 31?  OUI  NON

### SOURCE D'ALIMENTATION ET ENVIRONNEMENT

TENSION ENTRE: L1 ET L2: \_\_\_\_\_ L2 ET L3: \_\_\_\_\_ L3 ET L1: \_\_\_\_\_  
 VALEUR NOMINALE DU TRANSFORMATEUR DE SERVICE: \_\_\_\_\_ KVA \_\_\_\_\_ % FRÉQUENCE Z:  60 HZ OU  50 HZ  
 TEMPÉRATURES AMBIANTES: MIN °C (°F) \_\_\_\_\_ MAX °C (°F) \_\_\_\_\_ HUMIDITÉ: \_\_\_\_\_  
 ALTITUDE SI SUPÉRIEURE À 1 006 MÈTRES (3 300 PIEDS) AU-DESSUS DU NIVEAU DE LA MER, SPÉCIFIER: \_\_\_\_\_ M. (\_\_\_\_\_ PI.)

### CODES DES DÉFAUTS DÉTECTÉS DU CONTRÔLEUR

<input type="checkbox"/> <i>b P F</i> DÉFAUT DÉTECTÉ DU CONTACTEUR DE DÉRIVATION	<input type="checkbox"/> <i>C F F</i> CONFIGURATION INVALIDE À LA MISE SOUS TENSION	<input type="checkbox"/> <i>E t F</i> DÉFAUT EXTERNE DÉTECTÉ	<input type="checkbox"/> <i>G r d F</i> DÉFAUT DE COURANT DE FUITE À LA TERRE DÉTECTÉ
<input type="checkbox"/> <i>I n F</i> DÉFAUT INTERNE DÉTECTÉ	<input type="checkbox"/> <i>O C F</i> SURINTENSITÉ DU MOTEUR	<input type="checkbox"/> <i>O H F</i> DÉFAUT DE SURCHAUFFE DÉTECTÉ	<input type="checkbox"/> <i>O L F</i> SURCHARGE MOTEUR
<input type="checkbox"/> <i>O S F</i> SURTENSION	<input type="checkbox"/> <i>O t F</i> TEMPÉRATURE EXCESSIVE DU MOTEUR	<input type="checkbox"/> <i>P H b d</i> DÉSÉQUILIBRE DE PHASE	<input type="checkbox"/> <i>P H F</i> COUPURE D'UNE PHASE RÉSEAU
<input type="checkbox"/> <i>P I F</i> INVERSION DE PHASE	<input type="checkbox"/> <i>t r A P</i> TRAP CODE	<input type="checkbox"/> <i>S C F</i> COURT-CIRCUIT	<input type="checkbox"/> <i>S L F</i> DÉLAI D'ATTENTE MODBUS
<input type="checkbox"/> <i>S n b F</i> TROP DE DÉMARRAGES	<input type="checkbox"/> <i>S S C r</i> THYRISTOR COURT-CIRCUITÉ / MAUVAIS RACCORDEMENT	<input type="checkbox"/> <i>S t F</i> DÉFAUT DE TEMPS DE DÉMARRAGE DÉTECTÉ	<input type="checkbox"/> <i>t b S</i> TROP DE DÉMARRAGES
<input type="checkbox"/> <i>U C F</i> SOUS-INTENSITÉ DU MOTEUR	<input type="checkbox"/> <i>U S F</i> SOUS-TENSION OU AUCUNE TENSION		

### DESCRIPTION DÉTAILLÉE DU PROBLÈME

\_\_\_\_\_  
 \_\_\_\_\_

## Remplacement du ventilateur du ATS22

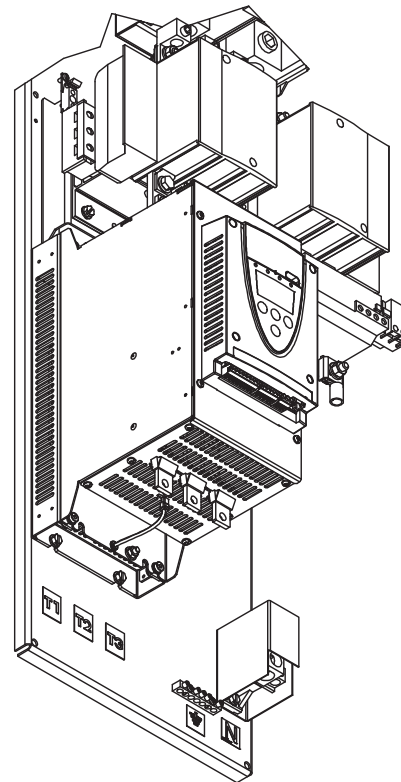
Le ventilateur de refroidissement du dissipateur de chaleur du démarreur progressif, inclus dans certains modèles ATS22, peut exiger un entretien ou remplacement après un usage prolongé. Si le ventilateur de refroidissement arrête de fonctionner, commander un ventilateur de rechange (VW3G22U402) à Schneider Electric.

**Tableau 32 : Contrôleurs 22 sous coffret avec ventilateurs de refroidissement remplaçables du démarreur progressif**

Tension	UL Type 1	UL Type 12	UL Type 3R
208	863822FKG... (50 HP)	863822FKA2... (50 HP)	863822FJH2... (40 HP)
230	863822FLG3... (60 HP)	863822FLA3... (60 HP)	863822FKH3... (50 HP)
460	863822FPG4... (125 HP)	863822FPA4... (125 HP)	863822FNH4... (100 HP)
575	863822FQG5... (150 HP)	863822FQA5... (150 HP)	863822FPH5... (125 HP)

Le ventilateur de refroidissement du démarreur progressif ATS22 est monté directement derrière celui-ci. Se reporter à la figure 53 et suivre la procédure décrite dans cette section pour remplacer le ventilateur de refroidissement.

**Figure 53 : Démarreur progressif ATS22**



1. Avant de remplacer des pièces dans le contrôleur 22 sous coffret, lire et observer les messages de sécurité commençant à la page 105.
2. Couper toute alimentation venant du contrôleur, en suivant les procédures d'interverrouillage et d'étiquetage.

3. Ouvrir la porte de l'armoire et rechercher tous signes de surchauffe ou autre dommage. Si l'appareil semble endommagé, arrêter de l'utiliser et contacter le groupe d'assistance aux produits de Schneider Electric. Autrement passer au point 4.
4. Retirer le câble d'alimentation de contrôle qui raccorde le ventilateur au démarreur progressif.
5. Desserrer et enlever les conducteurs alimentant les côtés ligne et charge du démarreur progressif.
6. Retirer les bornes d'alimentation de contrôle détachables de la face avant du démarreur progressif.
7. Desserrer et enlever les vis de montage fixant la base du démarreur progressif au ventilateur de refroidissement. Mettre les vis de côté.
8. Enlever le démarreur progressif de l'armoire. Prendre soin de ne pas déranger d'autres fils d'alimentation de contrôle.
9. Desserrer et enlever les vis de montage de 1/4-20 x 0,5 po fixant la base du ventilateur de refroidissement à la cuve de montage. Enlever le ventilateur et mettre les vis de montage de côté.
10. Installer le ventilateur de refroidissement de rechange VW3G22402 du démarreur progressif sur la cuve de montage, à l'aide des vis de montage enlevées au point 9. Serrer les vis au couple de serrage de 6,8 à 8,1 N•m (60 à 72 lb-po).
11. Monter et fixer le démarreur progressif, à l'aide des vis de montage enlevées au point 7. Serrer les vis au couple de serrage de 3,5 N•m (31 lb-po).
12. Replacer les conducteurs d'alimentation sur le démarreur progressif et serrer aux spécifications de couple indiquées dans le manuel de l'utilisateur du ATS22, BBV51330.
13. Replacer les bornes de contrôle à l'avant du démarreur progressif.
14. Raccorder le câble de l'alimentation de contrôle au bas du démarreur progressif, raccordant le démarreur progressif au ventilateur.
15. Fermer et verrouiller tous les portes et les couvercles avant de remettre l'appareil sous tension.

## Pièces remplaçables

Schneider Electric offre un nombre limité de pièces remplaçables pour le démarreur progressif Altistart 22 et le contrôleur 22 sous coffret. Avant de remplacer une pièce, consulter votre représentant des ventes local. Les pièces remplaçables doivent être installées par un personnel qualifié.

**Tableau 33 : Démarreurs progressifs**

Type 1 ou type 12	Type 3R ou fonction. à 50 °C (122 °F)	208 V	230 V	460 V	575 V
HP	HP				
3	3	ATS22D17S6U	—	—	—
5	—	ATS22D32S6U	ATS22D17S6U	—	—
7,5	5	ATS22D32S6U	ATS22D32S6U	—	—
10	7,5	ATS22D47S6U	ATS22D32S6U	ATS22D17S6U	—
—	10	ATS22D47S6U	ATS22D47S6U	ATS22D32S6U	—
15	—	ATS22D62S6U	ATS22D47S6U	ATS22D32S6U	ATS22D17S6U

Page suivante

Tableau 33 : Démarreurs progressifs (suite)

Type 1 ou type 12	Type 3R ou fonction. à 50 °C (122 °F)	208 V	230 V	460 V	575 V
HP	HP				
20	15	ATS22D75S6U	ATS22D62S6U	ATS22D32S6U	ATS22D32S6U
25	20	ATS22D88S6U	ATS22D75S6U	ATS22D47S6U	ATS22D32S6U
30	25	ATS22C11S6U	ATS22D88S6U	ATS22D47S6U	ATS22D47S6U
40	30	ATS22C14S6U	ATS22C11S6U	ATS22D62S6U	ATS22D47S6U
50	40	ATS22C17S6U	ATS22C14S6U	ATS22D75S6U	ATS22D62S6U
60	50	ATS22C21S6U	ATS22C17S6U	ATS22D88S6U	ATS22D75S6U
75	60	ATS22C25S6U	ATS22C21S6U	ATS22C11S6U	ATS22D88S6U
100	75	ATS22C32S6U	ATS22C25S6U	ATS22C14S6U	ATS22C11S6U
125	100	ATS22C41S6U	ATS22C32S6U	ATS22C17S6U	ATS22C14S6U
150	125	ATS22C48S6U	ATS22C41S6U	—	ATS22C17S6U
200	150	—	ATS22C59S6U	ATS22C21S6U	ATS22C21S6U
250	200	—	—	ATS22C32S6U	ATS22C25S6U
300	250	—	—	ATS22C41S6U	ATS22C32S6U
350	300	—	—	ATS22C48S6U	ATS22C41S6U
400	350	—	—	ATS22C59S6U	ATS22C48S6U
500	400	—	—	—	ATS22C59S6U

Tableau 34 : Fusibles du primaire du transformateur de contrôle (FU6, FU7): Circuit d'alimentation B05

Armoire taille	208 V	230 V	460 V	575 V
<b>Type 1 ou type 12</b>				
A ou B	25430-20113 (1,125 A)	25430-20100 (1,0 A)	25430-20050 (0,5 A)	25430-20040 (0,4 A)
D ou E	25430-20225 (2,25 A)	25430-20200 (2,0 A)	25430-20100 (1,0 A)	25430-20080 (0,8 A)
<b>Type 3R</b>				
A ou B	25430-20350 (3,5 A)	25430-20321 (3,2 A)	25430-20161 (1,6 A)	25430-20113 (1,125 A)
D ou E	25430-20400 (4,0 A)	25430-20400 (4,0 A)	25430-20200 (2,0 A)	25430-20150 (1,5 A)

Tableau 35 : Fusibles du primaire du transformateur de contrôle (FU6, FU7) : Circuit d'alimentation S05, N05, R05, Y05 sans l'option B10

Type 1 ou type 12	Type 3R	208 V	230 V	460 V	575 V
B	—	25430-20225 (2,25 A)	25430-20200 (2,0 A)	25430-20100 (1,0 A)	25430-20061 (0,6 A)
C	B ou C	25430-20350 (3,5 A)	25430-20300 (3,0 A)	25430-20150 (1,5 A)	25430-20113 (1,125 A)
D ou F	D	25430-20600 (6,0 A)	25430-20500 (5,0 A)	25430-20250 (2,5 A)	25430-20200 (2,0 A)
—	F	25430-20600 (6,0 A)	25430-20600 (6,0 A)	25430-20300 (3,0 A)	25430-20250 (2,5 A)
G	G	25430-20800 (8,0 A)	25430-20750 (7,5 A)	25430-20350 (3,5 A)	25430-20250 (2,5 A)

**Tableau 36 : Fusibles du primaire du transformateur de contrôle (FU6, FU7): Tout circuit d'alimentation avec l'option B10**

Armoire taille	208 V	230 V	460 V	575 V
B ou D	25430-20625 (6,25 A)	25430-20600 (6,0 A)	25430-20321 (3,2 A)	25430-20250 (2,5 A)
D	25430-20800 (8,0 A)	25430-20600 (8,0 A)	25430-20500 (5,0 A)	25430-20321 (3,2 A)
F	25430-20800 (8,0 A)	25430-20600 (8,0 A)	25430-20500 (5,0 A)	25430-20400 (4,0 A)
G	25430-20800 (8,0 A)	25430-20800 (8,0 A)	25430-20500 (5,0 A)	25430-20400 (4,0 A)

**Tableau 37 : Fusibles du secondaire du transformateur de contrôle**

Armoire taille	Circuit d'alimentation B05 sans l'option B10	Circuit d'alimentation S05, N05, R05 ou Y05 sans l'option B10	Tout circuit d'alimentation avec l'option B10
<b>Type 1 ou type 12</b>			
A ou B	25430-20061 (0,6 A)	25430-20130 (1,3 A)	25430-20400 (4,0 A)
C	—	25430-20200 (2,0 A)	25430-20400 (4,0 A)
D	25430-20130 (1,3 A)	25430-20350 (3,5 A)	25430-20625 (6,25 A)
E	25430-20130 (1,3 A)	—	—
F	—	25430-20321 (3,2 A)	25430-20625 (6,25 A)
G	—	25430-20500 (5,0 A)	25430-20625 (6,25 A)
<b>Type 1 ou type 12</b>			
A, B ou C	25430-20200	25430-20200	25430-20400
D	25430-20250	25430-20350	25430-20625 (6,25 A)
E	25430-20250	—	—
F	—	25430-20400	25430-20625 (6,25 A)
G	—	25430-20500	25430-20625 (6,25 A)

**Table 38: Fusible de l'alimentation de contrôle du démarreur progressif (FU4)**

Armoire taille	Circuit d'alimentation B05	Circuit d'alimentation S05, N05, R05 ou Y05
A, B ou C	25430-20050 (0,5 A)	25430-20050 (0,5 A)
D	25430-20126 (1,2 A)	25430-20050 (0,5 A)
E	25430-20161 (1,6 A)	—
F	—	25430-20126 (1,2 A)
G	—	25430-20161 (1,6 A)

**Tableau 39 : Ventilateur de mouvement d'air de l'élément de chauffage (UL type 3R uniquement)**

Tous	26016-31001
------	-------------

**Tableau 40 : Ventilateur de refroidissement du dissipateur de chaleur (lorsque fourni<sup>1</sup>)**

Tension	UL type 1 ou UL type 12 HP	UL type 3R ou fonction. à 50 °C (122 °F) HP	N° de catalogue
208	50	40	VW3G22U402
230	60	50	
460	125	100	
575	150	125	

<sup>1</sup> Un ventilateur de refroidissement du dissipateur de chaleur est fourni pour les puissances nominales ci-dessus quand l'appareil comporte un sectionneur à fusible (contrôleur du type 22F).

**Tableau 41 : Élément de chauffage de condensation (UL type 3R uniquement)**

Tous	HUA22191
------	----------

**Tableau 42 : Fusibles d'alimentation fournis par Schneider Electric pour une utilisation avec les contrôleurs 22 sous coffret munis de sectionneurs à fusibles (22F)<sup>1</sup>**

HP	208 V	230 V	460 V	575 V
3	25423-30150	—	—	—
5	25423-30250	25423-30300	—	—
7.5	25423-30400	25423-30350	—	—
10	25423-30500	25423-30450	25423-30200	—
15	25423-30800	25423-30700	25423-30350	25423-30250
20	25423-31000	25423-30900	25423-30450	25423-30350
25	25423-31250	25423-31100	25423-30600	25423-30450
30	25423-31500	25423-31250	25423-30700	25423-30500
40	25423-32000	25423-31750	25423-30900	25423-30700
50	25423-32500	25423-32250	25423-31100	25423-30900
60	25423-32500	25423-32500	25423-31250	25423-31000
75	25423-33500	25423-33000	25423-31500	25423-31250
100	25423-34500	25423-34000	25423-32000	25423-31500
125	25423-36000	25423-35000	25423-32500	25423-32000
150	25423-36000	25423-36000	25423-33000	25423-32500
200	—	25423-36000	25423-34000	25423-33000
250	—	—	25423-35000	25423-34000
300	—	—	25423-36000	25423-35000
350	—	—	25423-36000	25423-35000
400	—	—	25423-36000	25423-36000
500	—	—	—	25423-36000

<sup>1</sup> Pour inclure des fusibles avec l'appareil quand il est expédié, contacter l'usine.

FRANÇAIS

**Tableau 43 : Fusibles d'alimentation fournis par Schneider Electric pour une utilisation avec les contrôleurs 22 sous coffret munis de sectionneurs à fusibles (22F)<sup>1</sup>**

HP	208 V	230 V	460 V	575 V
3	25423-30150	—	—	—
5	25423-30250	25423-30300	—	—
7,5	25423-30400	25423-30350	—	—
10	25423-30500	25423-30450	25423-30200	—
15	25423-30800	25423-30700	25423-30350	25423-30250
20	25423-31000	25423-30900	25423-30450	25423-30350
25	25423-31250	25423-31100	25423-30600	25423-30450
30	25423-31500	25423-31250	25423-30700	25423-30500
40	25423-32000	25423-31750	25423-30900	25423-30700
50	25423-32500	25423-32250	25423-31100	25423-30900
60	—	25423-32500	25423-31250	25423-31000
75	—	—	25423-31500	25423-31250
100	—	—	25423-32000	25423-31500
125	—	—	25423-32500	25423-32000
150	—	—	—	25423-32500

<sup>1</sup> Pour inclure des fusibles avec l'appareil quand il est expédié, contacter l'usine.





**Contrôleur de moteur Altistart<sup>MC</sup> 22 sous coffret**  
**Directives d'utilisation**

FRANÇAIS

Altistart<sup>MC</sup>, PowerPact<sup>MC</sup>, Modbus<sup>MC</sup> et Schneider Electric<sup>MC</sup> sont des marques commerciales ou marques déposées de Schneider Electric. Toutes autres marques commerciales utilisées dans ce document sont la propriété de leurs propriétaires respectifs.

Seul un personnel qualifié doit effectuer l'installation, l'utilisation, l'entretien et la maintenance du matériel électrique. Schneider Electric n'assume aucune responsabilité des conséquences éventuelles découlant de l'utilisation de cette documentation.

**Schneider Electric Canada**

19 Waterman Avenue  
Toronto, Ontario M4B 1Y2  
1-800-565-6699  
[www.schneider-electric.ca](http://www.schneider-electric.ca)

30072-453-26 Rév. 03, 12/2012 Remplace 30072-453-26 Rév. 02, 08/2011  
© 2012 Schneider Electric Tous droits réservés



**Enclosed Altistart™ 22 Solid State Reduced Voltage Combination Motor Controller**  
**Controlador de motor combinado Altistart™ 22 en gabinete a tensión reducida de estado sólido**  
**Contrôleur de moteur combiné Altistart™ 22 sous coffret transistorisé à tension réduite**

Altistart™, PowerPact™, Modbus™ and Schneider Electric™ are registered trademarks of Schneider Electric. Other trademarks used herein are the property of their respective owners.

Electrical equipment should be installed, operated, serviced, and maintained only by qualified personnel. No responsibility is assumed by Schneider Electric for any consequences arising out of the use of this material.

**Schneider Electric USA, Inc.**

8001 Knightdale Blvd.  
Knightdale, NC 27545 USA  
1-888-778-2733  
www.schneider-electric.us

30072-453-26 Rev. 03, 12/2012  
Replaces 30072-453-26 Rev. 02 dated 08/2011  
© 2012 Schneider Electric  
All Rights Reserved

Altistart™, PowerPact™, Modbus™ y Schneider Electric™ son marcas comerciales o marcas registradas de Schneider Electric. Cualquier otra marca comercial utilizada en este documento pertenece a sus respectivos propietarios.

Solamente el personal especializado deberá instalar, hacer funcionar y prestar servicios de mantenimiento al equipo eléctrico. Schneider Electric no asume responsabilidad alguna por las consecuencias emergentes de la utilización de este material.

**Importado en México por:**

**Schneider Electric**

Calz. J. Rojo Gómez 1121-A  
Col. Gpe. del Moral 09300 México, D.F.  
Tel. 55-5804-5000  
www.schneider-electric.com.mx

30072-453-26 Rev. 03, 12/2012  
Sustituye al 30072-453-26 rev. 02, 08/2011  
© 2012 Schneider Electric  
Reservados todos los derechos

Altistart™, PowerPact™, Modbus™ et Schneider Electric™ sont des marques commerciales ou marques déposées de Schneider Electric. Toutes autres marques commerciales utilisées dans ce document sont la propriété de leurs propriétaires respectifs.

Seul un personnel qualifié doit effectuer l'installation, l'utilisation, l'entretien et la maintenance du matériel électrique. Schneider Electric n'assume aucune responsabilité des conséquences éventuelles découlant de l'utilisation de cette documentation.

**Schneider Electric**

19 Waterman Avenue  
Toronto, Ontario M4B 1Y2  
1-800-565-6699  
www.schneider-electric.ca

30072-453-26 Rév. 02, 08/2011  
Remplace 30072-453-26 Rév. 02, 08/2011  
© 2012 Schneider Electric  
Tous droits réservés



# California Proposition 65 Warning—Lead and Lead Compounds

## Advertencia de la Proposición 65 de California—Plomo y compuestos de plomo

### Avertissement concernant la Proposition 65 de Californie—Plomb et composés de plomb

**⚠ WARNING:** This product can expose you to chemicals including lead and lead compounds, which are known to the State of California to cause cancer and birth defects or other reproductive harm. For more information go to: [www.P65Warnings.ca.gov](http://www.P65Warnings.ca.gov).

**⚠ ADVERTENCIA:** Este producto puede exponerle a químicos incluyendo plomo y compuestos de plomo, que es (son) conocido(s) por el Estado de California como causante(s) de cáncer y defectos de nacimiento u otros daños reproductivos. Para mayor información, visite : [www.P65Warnings.ca.gov](http://www.P65Warnings.ca.gov).

**⚠ AVERTISSEMENT:** Ce produit peut vous exposer à des agents chimiques, y compris plomb et composés de plomb, identifiés par l'État de Californie comme pouvant causer le cancer et des malformations congénitales ou autres troubles de l'appareil reproducteur. Pour de plus amples informations, prière de consulter: [www.P65Warnings.ca.gov](http://www.P65Warnings.ca.gov).

All trademarks are the property of Schneider Electric SE, its subsidiaries, and affiliated companies.

**Schneider Electric USA, Inc.**  
800 Federal Street  
Andover, MA 01810 USA  
888-778-2733  
[www.schneider-electric.us](http://www.schneider-electric.us)

Todas las marcas comerciales son propiedad de Schneider Electric SE, sus filiales y compañías afiliadas.

Importado en México por:  
**Schneider Electric México, S.A. de C.V.**  
Av. Ejercito Nacional No. 904  
Col. Palmas, Polanco 11560 México, D.F.  
55-5804-5000  
[www.schneider-electric.com.mx](http://www.schneider-electric.com.mx)

Toutes les marques commerciales sont la propriété de Schneider Electric SE, ses filiales et compagnies affiliées.

**Schneider Electric Canada, Inc.**  
5985 McLaughlin Road  
Mississauga, ON L5R 1B8 Canada  
800-565-6699  
[www.schneider-electric.ca](http://www.schneider-electric.ca)