



Product designation

Product type designation

Type

DIN rail module number

Three-phase
energy meters
DMED300T2MID
+ UTF
CERTIFICATE
Three-phase +
neutral
4

Auxiliary supply U_s

Operational frequency

min Hz 50

Power consumption

Max VA 20

Power dissipation Max

W 1.35

Measuring voltage inputs

Rated voltage (U_e)

phase-phase VAC 400
phase-neutral VAC 230

Operating voltage range

phase-phase VAC 323...456
phase-neutral VAC 187...264

Connection method

Direct

Current

IEC maximum (I_{max})

A 80

IEC minimum (I_{min})

A 0.5

IEC rated (I_{ref-Ib})

A 10

IEC start (I_{st})

mA 40

Transition (I_{tr})

A 1

Accuracy

Active energy Class 1 (IEC/EN 62053-21)

Reactive energy Class 2 (IEC/EN 62053-23)

Output characteristics

LED Pulse rate

pulse/kWh 1000

LED Pulse duration

ms 30

Static output pulse rate

pulse/kWh 1-10-100-1000 programmable

Static output pulse duration

ms 100 for 1-10-10 pulse; 60 for 1000 pulse

Static output external voltage

VDC 10...30

Static outputs Maximum current

mA 50

Insulations

Rated insulation voltage U_i IEC/EN

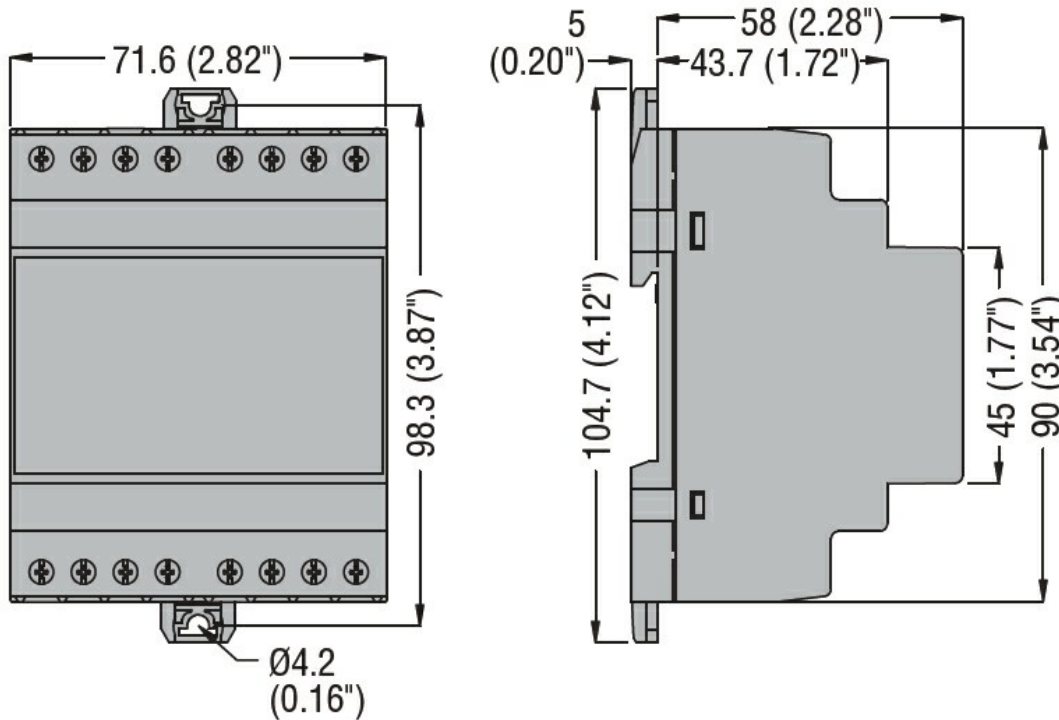
V 250

Rated impulse withstand voltage U_{imp}

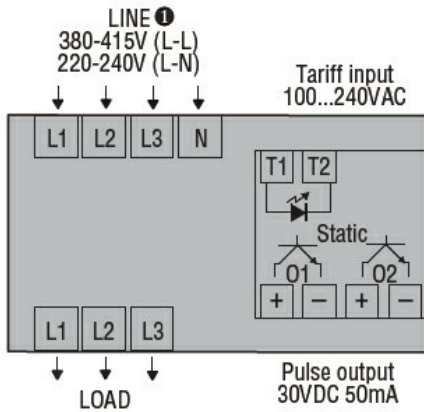
kV 6

Operating frequency withstand voltage	kV	4
Mechanical features		
Housing type		Polyamide
Terminals type		Fixed
Conductor cross section		
	min	mm ² 2.5
	Max	mm ² 25
	min	AWG 14
	Max	AWG 4
Tightening torque (Max)		
	Nm	2
	lbin	17.7
Fixing		Din rail
Weight	g	360
Ambient conditions		
Temperature		
Operating temperature		
	min	°C -25
	max	°C +55
Storage temperature		
	min	°C -25
	max	°C +70
Relative humidity	%	<80
Maximum Pollution degree		2
Mechanical environment		Class M1
Magnetic environment		Class E1

Dimensions



Wiring diagrams



Certifications and compliance

Compliance

EN50470-1

EN50470-3

TR 50579

Certificates

MID (moduli B + D)

RCM

ETIM classification

ETIM 8.0

EC001506 -
Kilowatt-hour
meter