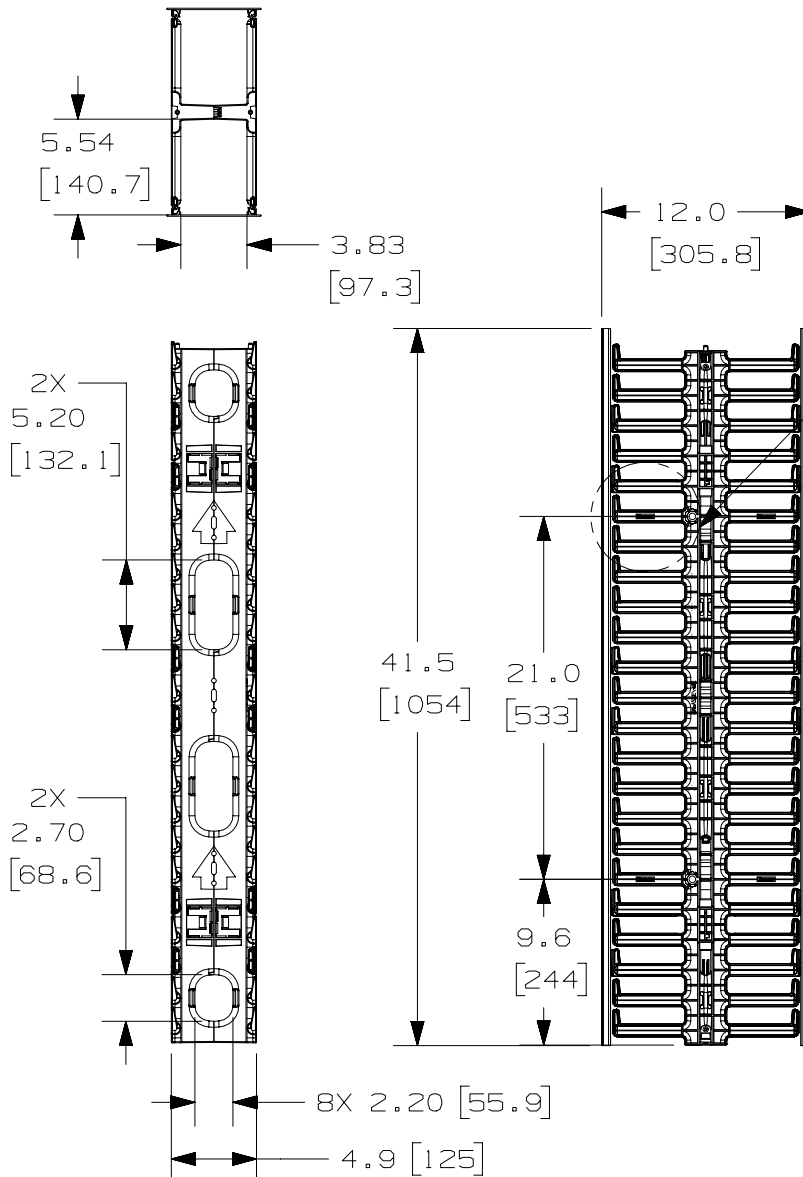


THIS COPY IS PROVIDED ON A RESTRICTED BASIS AND IS NOT TO BE USED IN ANY WAY DETRIMENTAL TO THE INTERESTS OF PANDUIT CORP.

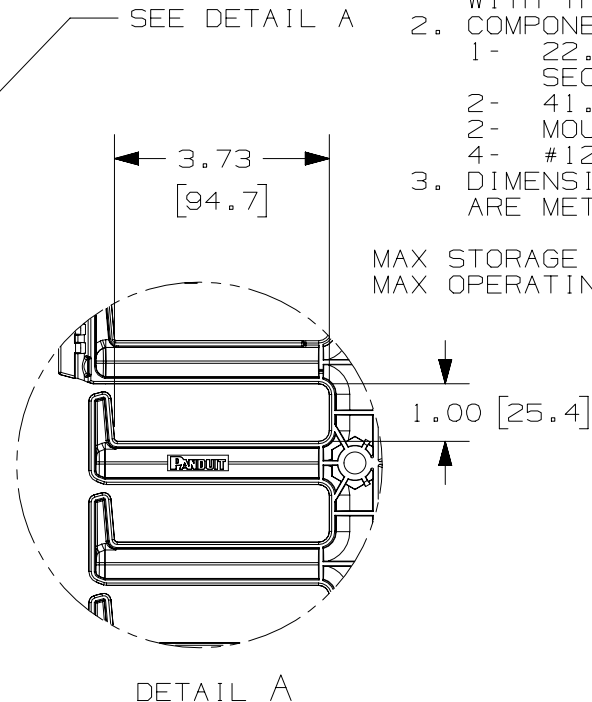
PANDUIT P/N	WEIGHT
WMPV22E	10.0 LBS/EACH 4.53 Kg/EACH

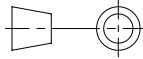


NOTES:

- VISIT OUR ON-LINE CATALOG AT [WWW.PANDUIT.COM](http://WWW.PANDUIT.COM) FOR A CURRENT LIST OF PRODUCTS APPLICABLE FOR USE WITH THIS PART.
- COMPONENTS:
  - 22.5RU CABLE MANAGEMENT SECTIONS
  - 41.5" DUAL HINGE COVERS
  - MOUNTING BRACKETS
  - #12-24 X 1/2" SCREWS
- DIMENSIONS IN PARENTHESES ARE METRIC.

MAX STORAGE TEMPERATURE 65° C (149° F)  
MAX OPERATING TEMPERATURE 60° C (140° F)



TITLE												
<b>4" WIDE VERTICAL CABLE MANAGER WMPV22E</b>												
CUSTOMER DRAWING												
ITEM REVISION NAME					V10225AD/06							
DATASET FILE NAME					V10225AD_DC/06A							
					THIRD ANGLE PROJECTION							
MATERIAL					CABLE MANAGER- ABS COVER- PVC							
DRAWING NUMBER					10225-27							
REV	DATE	BY	CHK	APR	DESCRIPTION	ECN	DRAWN BY	DATE	CHK	SCALE	SHEET	SIZE
06A	5-13-20	JBO	JCO	JEFK	CHANGED SUGGESTED RACK FROM CMR19X84 TO R2P ADDED TEMPERATURE NOTE	10225-27	JDWE	3-15-05	MWH	NONE	1 OF 2	A

A-SIZE CUSTOMER

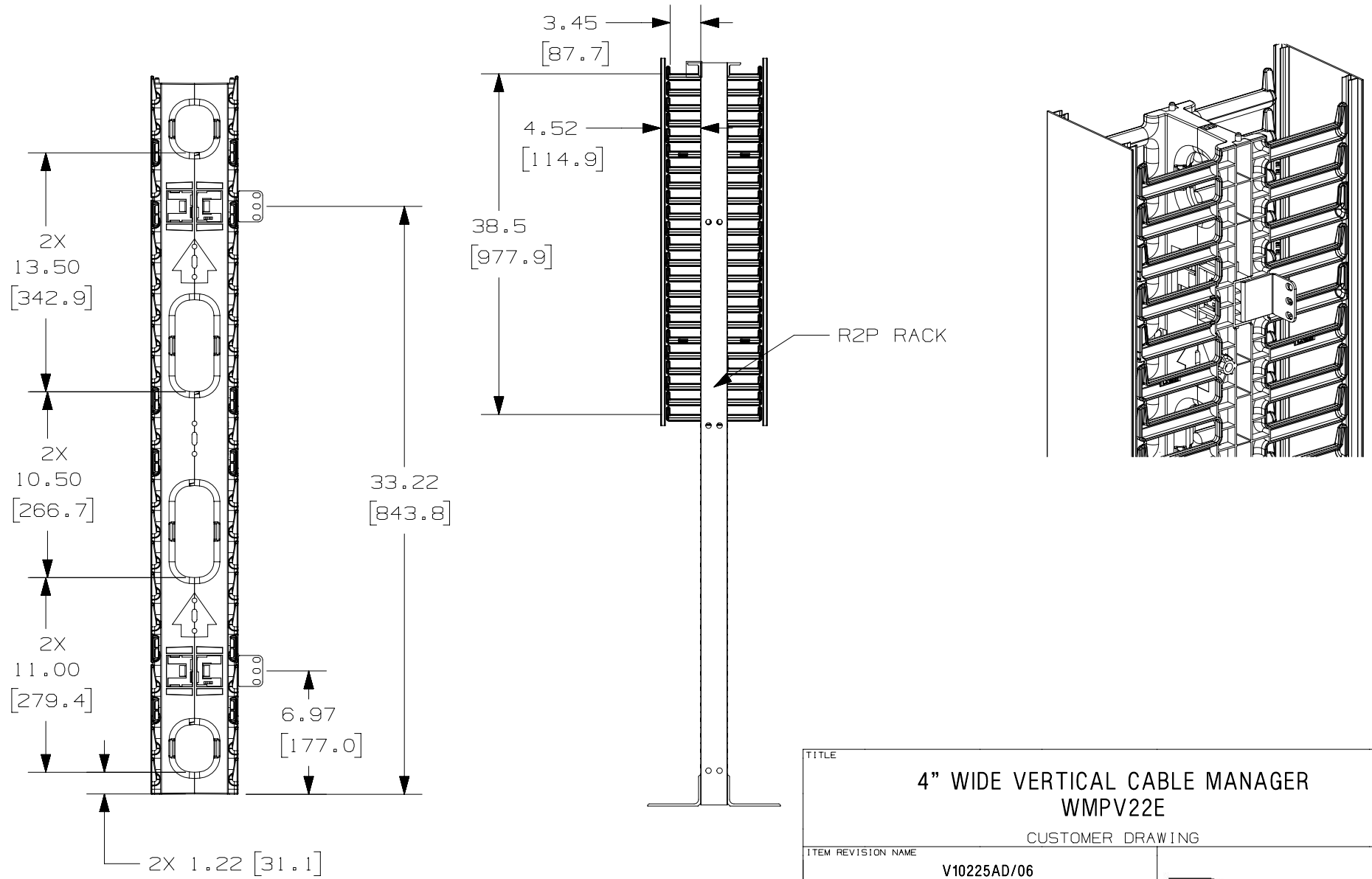
2

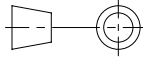
1

2

1

THIS COPY IS PROVIDED ON A RESTRICTED BASIS AND IS NOT TO BE USED IN ANY WAY DETRIMENTAL TO THE INTERESTS OF PANDUIT CORP.



TITLE		4" WIDE VERTICAL CABLE MANAGER WMPV22E	
CUSTOMER DRAWING			
ITEM REVISION NAME	V10225AD/06		
DATASET FILE NAME	V10225AD_DC/06A		
		THIRD ANGLE PROJECTION	
MATERIAL	CABLE MANAGER- ABS COVER- PVC		DRAWING NUMBER
		10225-27	
DRAWN BY	DATE	CHK	SCALE
JDWE	3-15-05	MWH	NONE
REV		SHEET 2 OF 2	
DATE		A	

6A	5-13-20	JBO	JCO	JEFK	REFER TO SHEET 1 FOR REVISION CONTROL	10225-27
REV	DATE	BY	CHK	APR	DESCRIPTION	ECN

A-SIZE CUSTOMER

2

1

2

1