



Product designation

Adjustable roller
lever

Product type designation

KBF

General characteristics

Material

Housing
Roller

Polymer
thermoplastic
Rubber

Contact characteristics

Type of contact			3NC Slow action
Thermal current I _{th}		A	10
IEC/EN 60947-5-1 designation			A600 Q300
Rated insulation voltage U _i		V	690
Rated impulse withstand voltage U _{imp}		kV	6
Insulation class			II
Short-circuit protection with fuse		Class/A	10 gG/SC QUICK FUSE
Switching speed		min	m/s 0.5
		max	m/s 1.5
IEC Conventional free air thermal current I _{th}		A	10
Resistance per pole (average value)		mΩ	<10

Mechanical features

Operating head fixing			Locking bayonet insert
Operating torque		Ncm ozin	3 4.25
Tightening torque (Max)			
Switch fixing		Nm lbin	2.5 22.1
Contact terminals		Nm lbin	0.8 7
Body lid screw fixing		Nm lbin	0.8 7
Conductor section			
AWG/Kcmil		min max	16 14
IEC		min max	mm ² 1or 2 mm ² 2.5

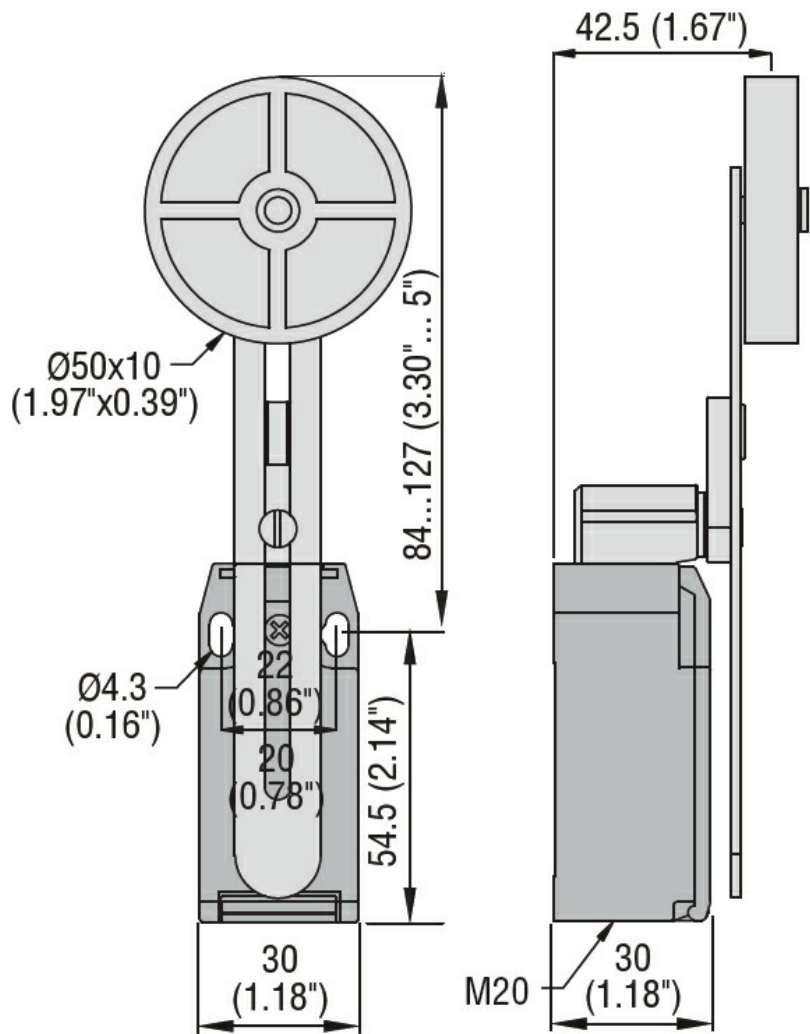
Cable connection	Self-releasing screw terminal
Cable entry	M20 on the bottom

Operations			
Mechanical life	cycles	<	10000000
Mechanical operation	cycles/h	3600	

Ambient conditions			
Temperature			
Operating temperature			
	min	°C	-25
	max	°C	+70
Storage temperature			
	min	°C	-40
	max	°C	+70

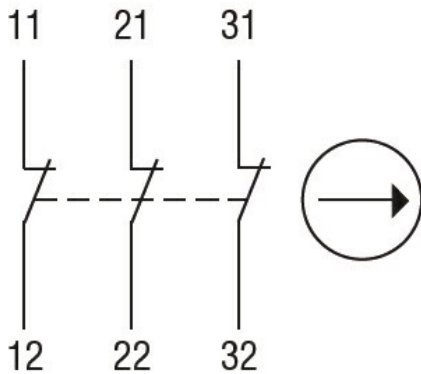
Resistance & Protection			
IP degree			
	Terminals	IP20	
	Body housing	IP65	
Pollution degree		3	

Dimensions



Wiring diagrams

Slow action



3NC

Certifications and compliance

Compliance

CSA C22.2 n° 14

EN 50047

IEC/EN 60204-1

IEC/EN 60947-1

IEC/EN 60947-5-1

UL508

Certificates

CCC

cULus

EAC

ETIM classification

ETIM 8.0

EC000030 - End
switch