



Product designation

Product type designation

Type of CT

Current  
transformers  
DM34T1600  
Solid-core

### Current inputs

Primary current I <sub>pn</sub> (/5)	A	1600
Operational frequency	min max	Hz Hz
		50 60
Secondary output current	A	5
Overload withstand I <sub>pn</sub>	%	120
Burden	cl. 1	VA
		15

### Insulations

Rated insulation voltage U <sub>i</sub> IEC/EN	V	720
IEC rated short-time thermal current I <sub>th</sub>	I <sub>th</sub> for s	40...60
IEC rated dynamic current I <sub>dyn</sub>	I <sub>th</sub> for s	2.5
Insulation dry type		Class E

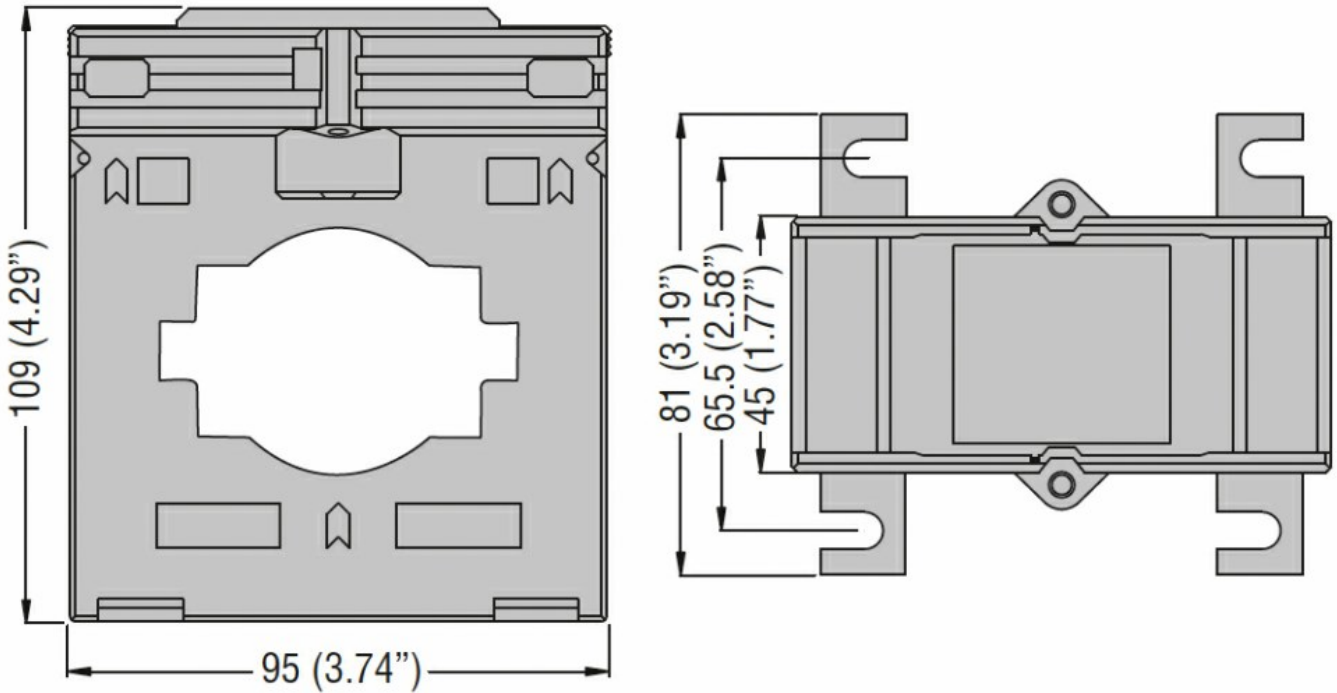
### Mechanical features

Terminals type		Screw
Fixing		DIN rail or by Screw
Weight	g	477

### Ambient conditions

Temperature	Operating temperature	min max	°C °C	-25 +50
	Storage temperature	min max	°C °C	-40 +80
Relative humidity			%	90
Protection degree				IP30

### Dimensions



#### Certifications and compliance

##### Certifications

IEC/EN/BS 61869-1

IEC/EN/BS 61869-2

##### Compliance

CE

EAC

UKCA

#### ETIM classification

EC000066 - Power contactor, AC switching