

COUV COUDE 45 P31 CFB45 50 à 600
Cover for bend 45deg P31 W50 to W600

GS
PG

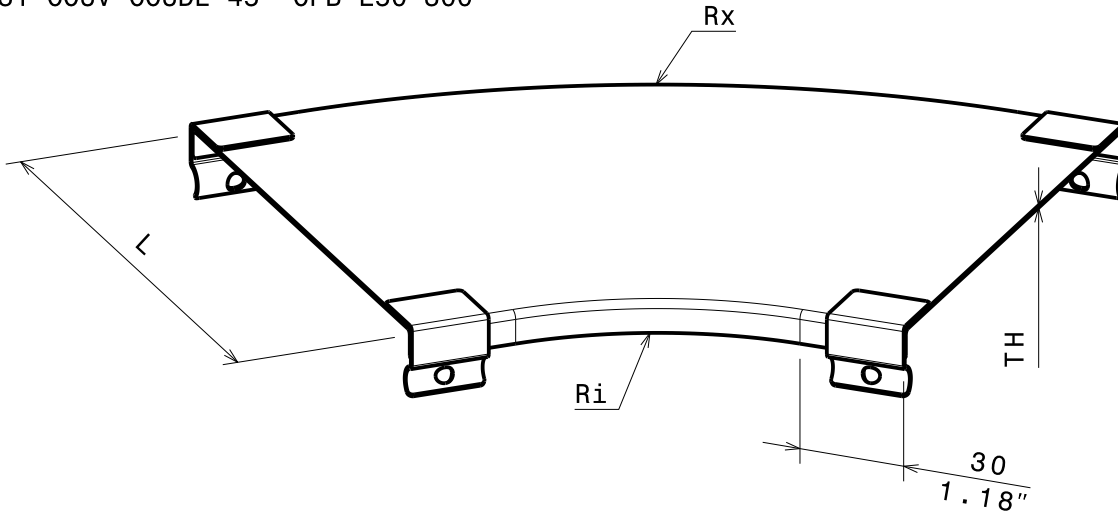


CABLE
MANAGEMENT

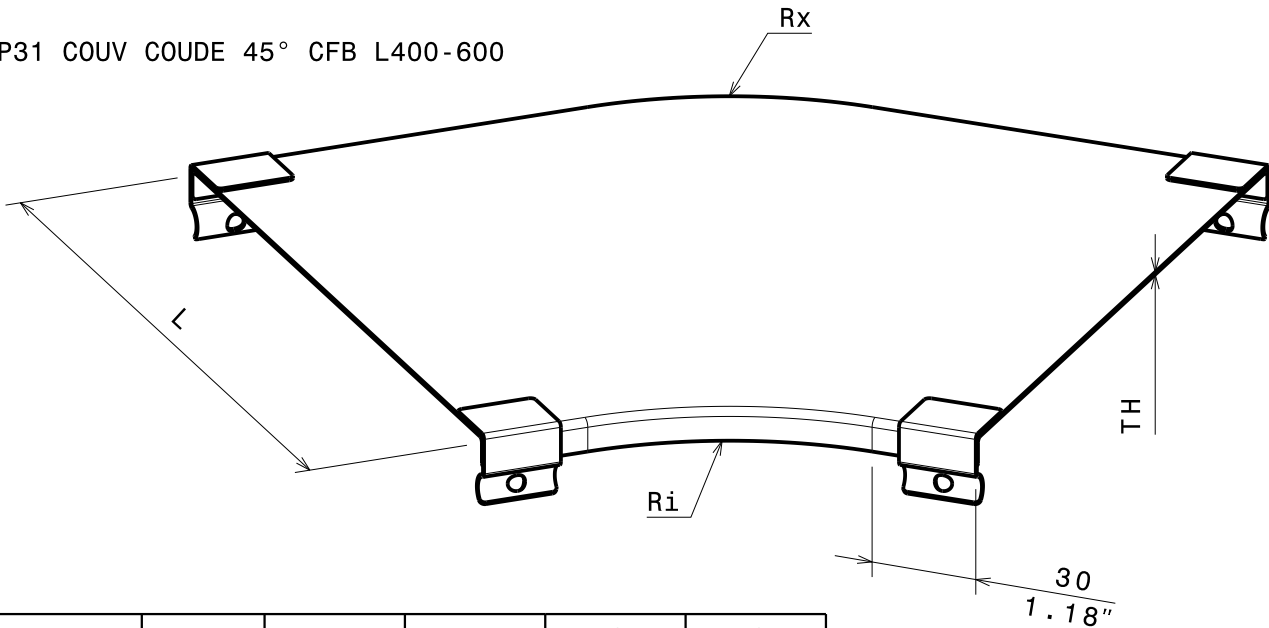
FT0538-0

10 16

P31 COUV COUDE 45° CFB L50-300



P31 COUV COUDE 45° CFB L400-600



REF	CODE	L /L		EP. /TH.		Ri /Ri		Rx /Rx	
		(mm)	(inch)	(mm)	(inch)	(mm)	(inch)	(mm)	(inch)
P31 CFB45 50	340 870	50	(1.97")	0.8	(0.032")	-	-	-	-
P31 CFB45 75	340 871	75	(2.92")	0.8	(0.032")	100	(3.94")	175	(6.89")
P31 CFB45 100	340 872	100	(3.94")	0.8	(0.032")	100	(3.94")	200	(7.87")
P31 CFB45 150	340 873	150	(5.91")	0.8	(0.032")	100	(3.94")	250	(9.84")
P31 CFB45 200	340 874	200	(5.91")	0.8	(0.032")	100	(3.94")	300	(11.81")
P31 CFB45 300	340 875	300	(7.87")	1	(0.039")	100	(3.94")	400	(15.74")
P31 CFB45 400	340 876	400	(11.81")	1	(0.039")	150	(5.91")	150	(5.91")
P31 CFB45 500	340 877	500	(19.69")	1	(0.039")	150	(5.91")	150	(5.91")
P31 CFB45 600	340 878	600	(32.62")	1	(0.039")	150	(5.91")	150	(5.91")

Material	Standard
DX 51 D Z 200 MAC	EN 10 346