

Part number

M7AP 16 S232



Surface mounting housing, V-TYPE series, with 2 levers, M32 x 2 cable entry, size "77.27", high construction, with metal cover

Product description

| | |
|----------------------|-------------------------------------|
| Product type | Surface mounting housing |
| Series | V-TYPE |
| Closing type | With 2 levers |
| Size | Size 77.27 |
| Cable entry | With cable entry M32 x 2 |
| Specification | High construction, with metal cover |

Technical data

IP degree of protection IP66 / IP67 / IP69

Further technical details

| | |
|---|----------------|
| Weight | 490,00 g |
| Operating temperature range (min, max) | -40°C...+125°C |

Material properties

| | |
|------------------------------|---------------------------------------|
| Other materials | Lever: Stainless steel Gasket: NBR |
| Colour | RAL 7040 grey |
| RoHs conformity | Compliant |
| China RoHs - EFUP | E |
| REACH SVHC substances | No |

Approvals / Standards

| | |
|-----------------------|---------|
| Certifications | DNV, BV |
| UL | ECBT2 |
| cUL | ECBT8 |

General ordering information

| | |
|-------------------|---------------|
| EAN13 code | 8015747251440 |
| eCl@ss 8.1 | 27440202 |
| ETIM 7.0 | EC000437 |

Packaging Information

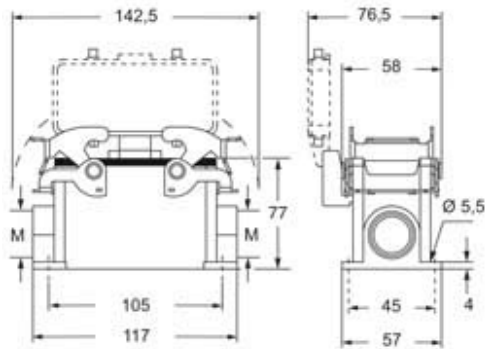
| | |
|----------------------------------|-----------------------|
| Packaging length | 475,00 mm |
| Packaging height | 220,00 mm |
| Packaging width | 175,00 mm |
| Packaging weight | 5,34 kg |
| Packaging volume | 18,29 dm ³ |
| Packaging description | Carton box |
| Packaging quantity | 10 Pcs |
| Packaging EAN code | 8015747251457 |
| Sub-packaging weight | 2,67 kg |
| Sub-packaging description | Plastic packaging |
| Sub-packaging quantity | 5 Pcs |
| Sub-packaging EAN barcode | 8015747251464 |

Part number

M7AP 16 S232



Catalogue drawings



Notes

Dimensions shown in mm are not binding and may be changed without notice.
