

Part number

CX 3.0 PF



Female pneumatic contact, without closing valve, for tubes with internal diameter 3 mm

Product description

| | |
|----------------------|--|
| Product type | Pneumatic contact |
| Gender | Female |
| Specification | Without closing valve For tubes with internal diameter 3 mm |

Further technical details

| | |
|---|------------------|
| Weight | 0,46 g |
| Operating temperature range (min, max) | -40°C ... +125°C |

Material properties

| | |
|------------------------------|----------------|
| Main material | Polyamide (PA) |
| RoHs conformity | Compliant |
| China RoHs - EFUP | E |
| REACH SVHC substances | No |

General ordering information

| | |
|-------------------|---------------|
| EAN13 code | 8015747042086 |
| eCl@ss 8.1 | 27440204 |
| ETIM 7.0 | EC000796 |

Packaging Information

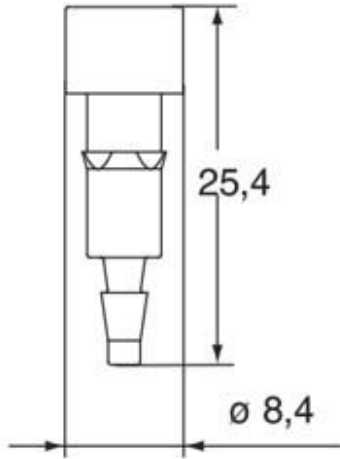
| | |
|----------------------------------|----------------------|
| Sub-packaging length | 50,00 mm |
| Sub-packaging height | 44,00 mm |
| Sub-packaging width | 50,00 mm |
| Sub-packaging volume | 0,11 dm ³ |
| Sub-packaging description | Plastic box |
| Sub-packaging quantity | 12 Pcs |
| Sub-packaging EAN barcode | 8015747042093 |

Part number

CX 3.0 PF



Catalogue drawings



Notes

Dimensions shown in mm are not binding and may be changed without notice.
