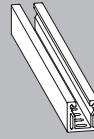
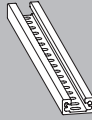


Rail aislante
 Rail isolant
 Strut channel
 Tragschiene
 Perfil suportе
 Prof. Sospensione.



Montaje
 Montage
 Assembly
 Montage
 Montagem
 Montaggio

Desmontaje
 Démontage
 Disassembly
 Demontage
 Desmontagem
 Smontaggio



IMD 60202.7

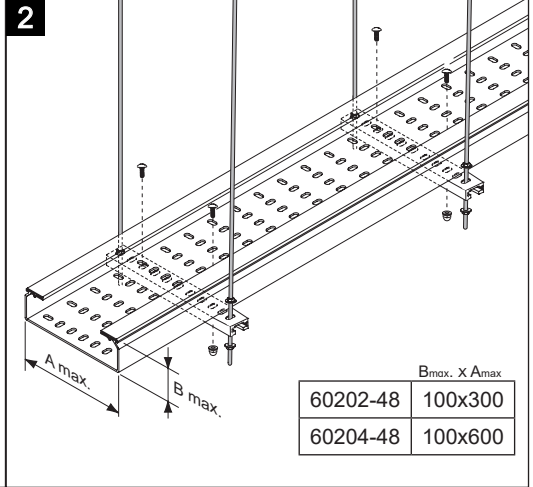
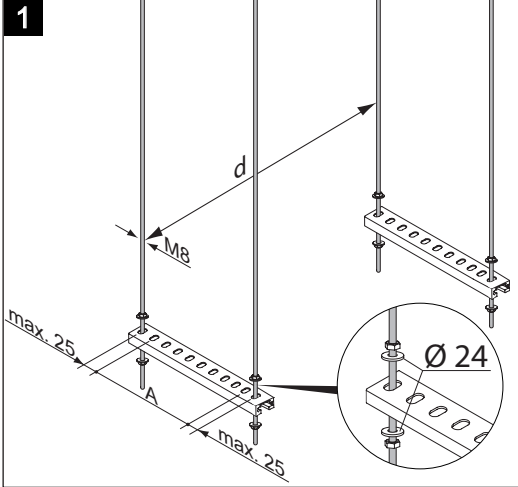


60202-48
 25x50



60204-48
 50x50

U48X		
	60202-48	60204-48
T	40°C	60°C
d	1,5m	1m

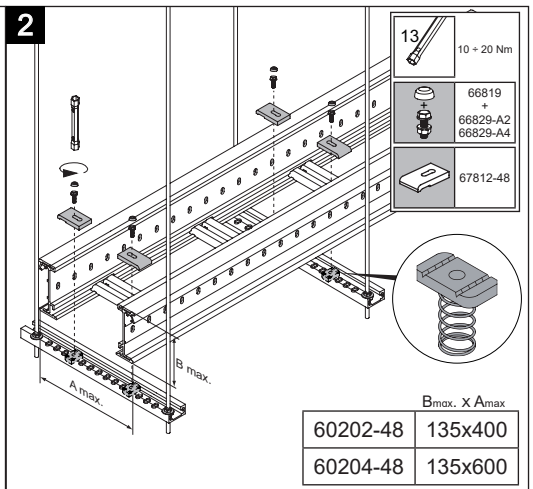
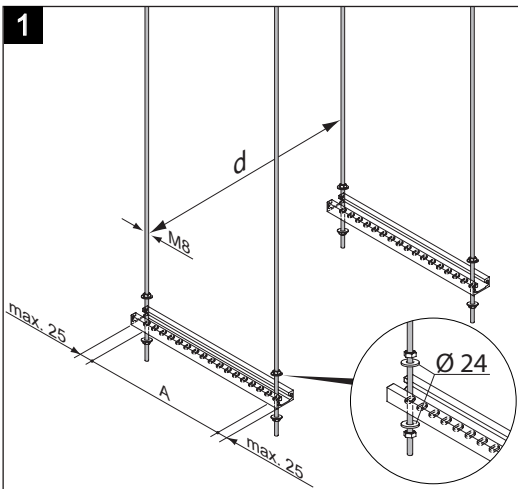


60202-48
 25x50

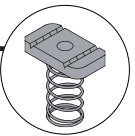


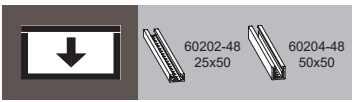
60204-48
 50x50

U48X		
	60202-48	60204-48
T	40°C	60°C
d	h:85mm 2m	1,5m
	h:135mm 2m	2m



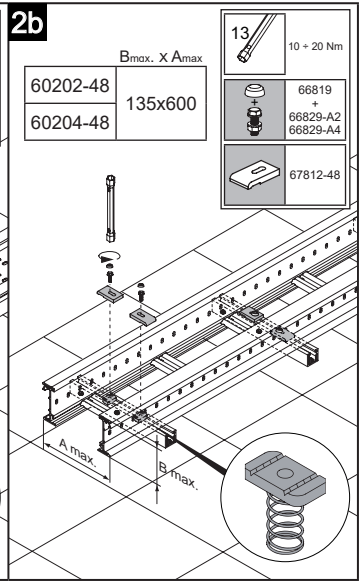
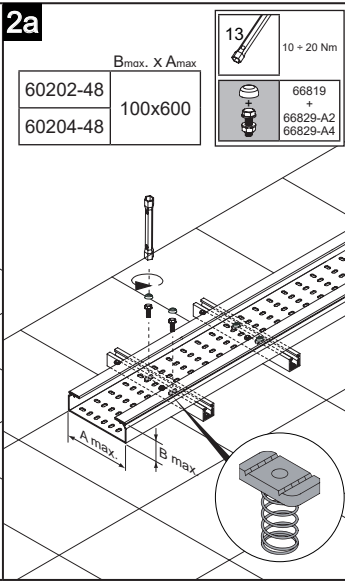
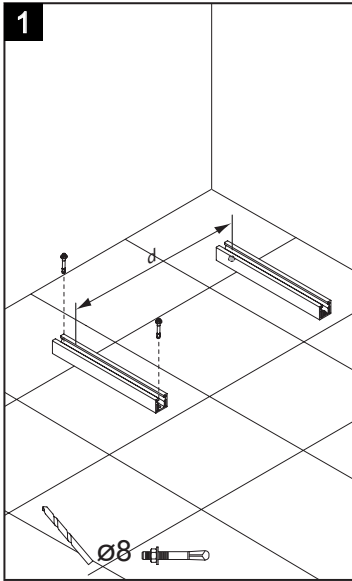
- 10 + 20 Nm
- 66819
- 66829-A2
- 66829-A4
- 67812-48



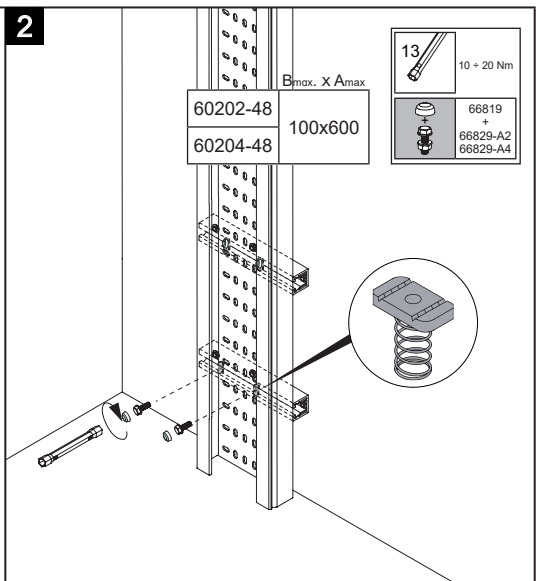
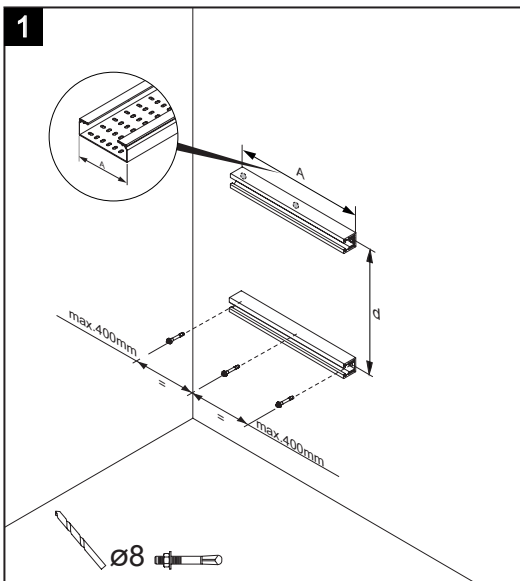


U48X		
	60202-48	60204-48
T	40°C	60°C
d	1,5m	1m

U48X		
	60202-48	60204-48
T	40°C	60°C
d	h:85mm 2m	h:135mm 1,5m
	3m	2m



U48X		
	60202-48	60204-48
T	40°C	60°C
d	1,5m	1m



3



60202-48
25x50



60204-48
50x50



Max. 1Nm.

10



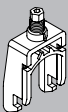
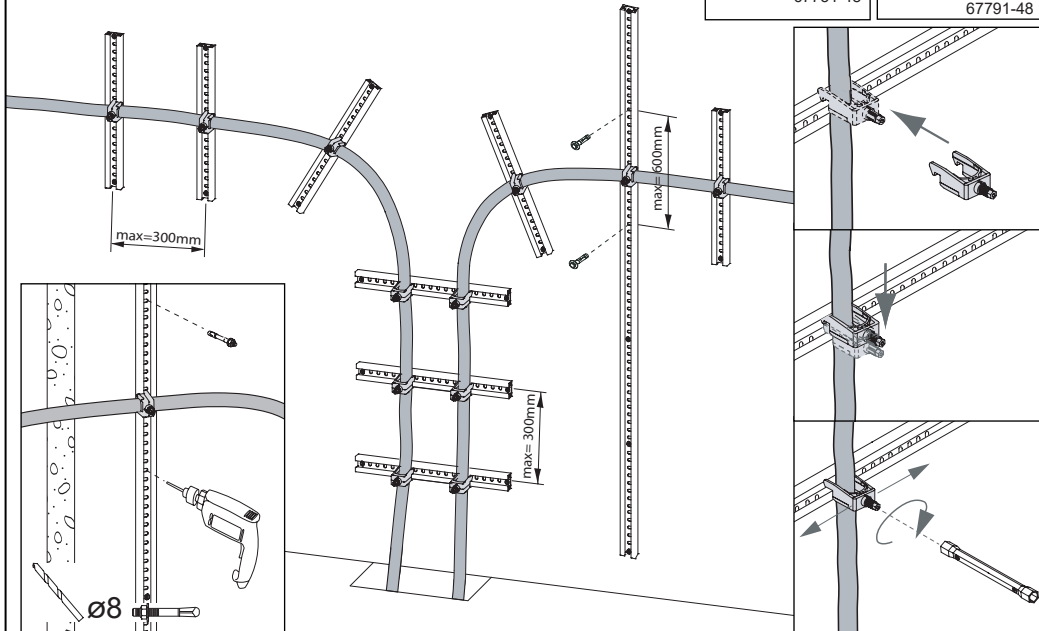
67701-48
67711-48
67721-48
67731-48

Max. 2Nm.

14



67741-48
67751-48
67761-48
67771-48
67791-48



- Ø8 / 12mm
- Ø12 / 16mm
- Ø16 / 22mm
- Ø22 / 28mm
- Ø28 / 34mm
- Ø34 / 40mm
- Ø40 / 46mm
- Ø46 / 52mm
- Ø58 / 64mm

- 67701-48
- 67711-48
- 67721-48
- 67731-48
- 67741-48
- 67751-48
- 67761-48
- 67771-48
- 67791-48