



Product designation

Direct-on-line
starter

Product type designation

M1P00912...A7

Electrical features

Relay adj range	A	2.5-4
-----------------	---	-------

IEC technical characteristics ($\leq 440V$)

I_e	A	4
kW	kW	1.1...1.5

Components

Starter enclosure standard supplied	M1PA
-------------------------------------	------

Contactors standard supplied	BF0910A
------------------------------	---------

Thermal relay standard supplied	RF380400
---------------------------------	----------

UL technical data

Maximum UL/CSA horsepower ratings three-phase, 3-pole

200V-208V	HP	0.75
220V-240V	HP	0.75
440V-480V	HP	2
550V-600V	HP	3

Mechanical features

Weight	g	1040
--------	---	------

Ambient conditions

Operating temperature

min	°C	-25
max	°C	+60

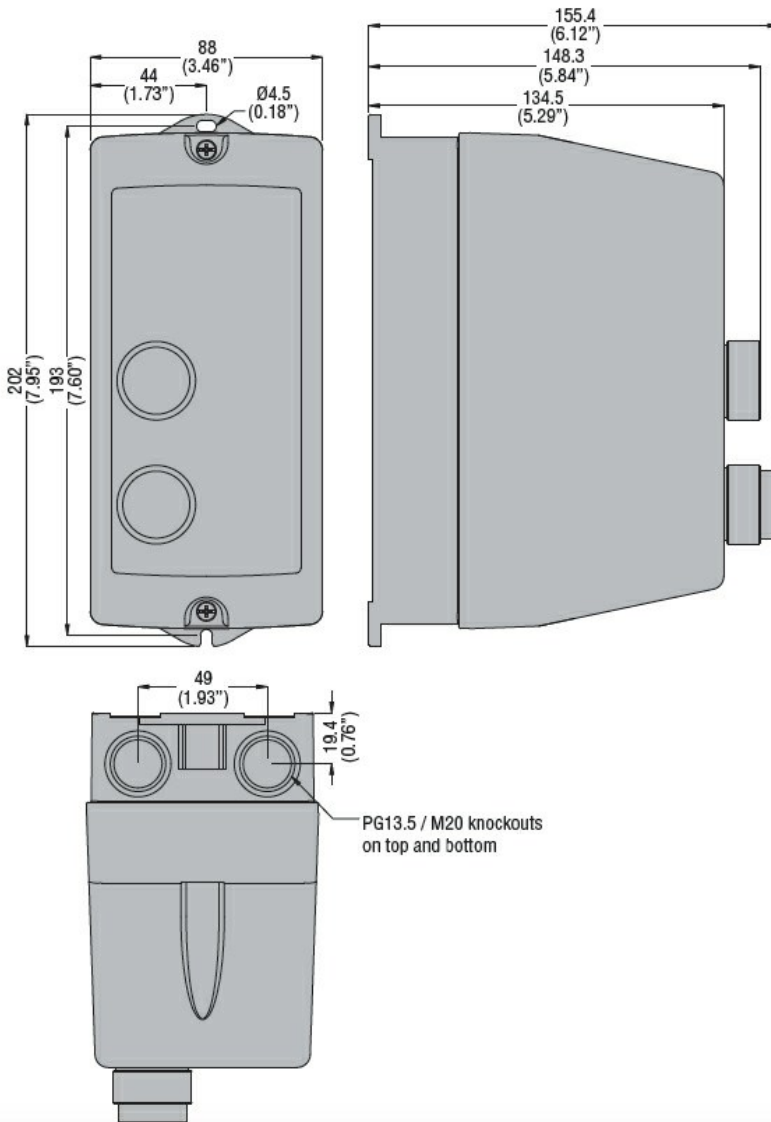
Storage temperature

min	°C	-40
max	°C	+70

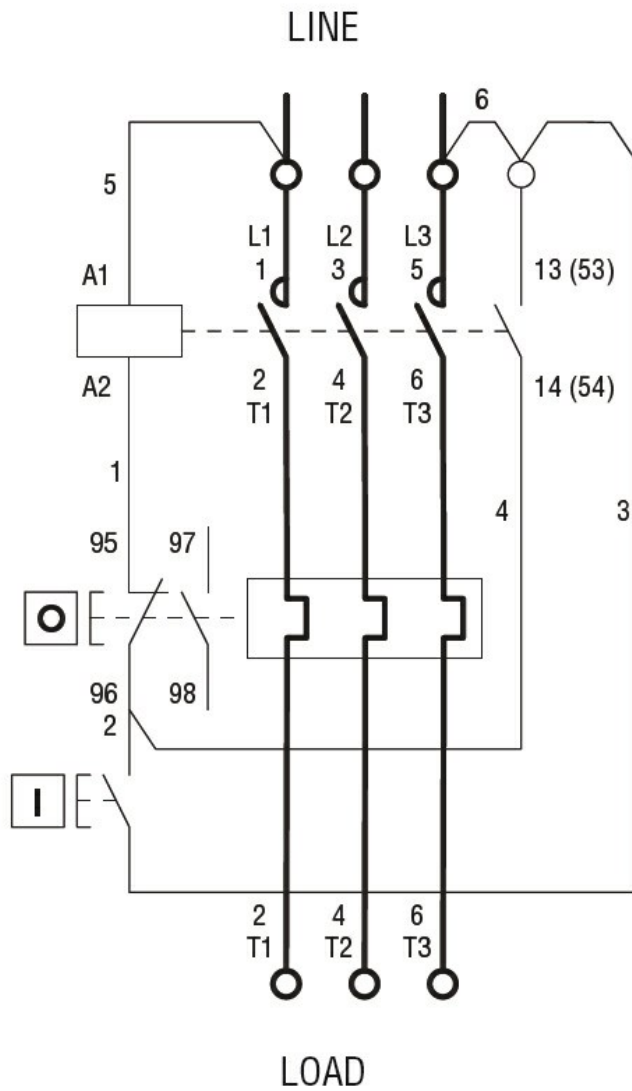
Resistance & Protection

Frontal IP degree	IP65
-------------------	------

Dimensions



Wiring diagrams



I = Start; O = Stop/Reset

Certifications and compliance

Compliance

IEC/EN 60947-1
IEC/EN 60947-4-1
UL508 CSA C22.2 n° 14

Certificates

CSAus
cULus
EAC

ETIM classification

ETIM 8.0

EC001037 -
Motor
starter/Motor
starter
combination