



Product designation

Product type designation

Type

Panel m. color
glcd mult.
DMG7000
Three-phase +
neutral

Auxiliary supply Us

Auxiliary rated supply voltage AC	VAC	100...240
Auxiliary rated supply voltage DC	VDC	110...250
Auxiliary operating voltage range		
AC		
	min	VAC 90
	Max	VAC 264
DC		
	min	VDC 100
	Max	VDC 300

Operational frequency

min Hz 45
max Hz 66

Power consumption

Max VA 15

Power dissipation Max

W 6

Measuring voltage inputs

Rated voltage (Ue)			
	phase-phase	VAC	600
	phase-neutral	VAC	347
Operating voltage range			
	phase-phase	VAC	40...830
	phase-neutral	VAC	5...480
Voltage inputs operational frequency			
	min	Hz	45 and 360
	max	Hz	66 and 440
Voltage inputs measurement method			True RMS

Connection method

Single. Two.
Three-phase with
or without neutral.
Balanced three-
phase system.
Three-phase
ARON.

Current inputs

Rated current (Ie)	A	1A/5A
Measurement range		0.004...6
Measurement method		TRMS
Overload capacity		+20% Ie by external CT with 5A secondary

Overload peak		A	120A for 0.5s
Accuracy			
	VLN voltage		Class 0.2 (IEC/EN 61557-12), V:50-480V~
	VLL voltage		Class 0.2 (IEC/EN 61557-12), V:87-830V~
	Current		Class 0.2 (IEC/EN 61557-12), In:5A~
	Frequency		Class 0.02 (IEC/EN 61557-12)
	Active power		Class 0.5 (IEC/EN 61557-12)
	Reactive power		Class 1 (IEC/EN 61557-12)
	Active energy		Class 0.5s (IEC/EN 62053-22)
	Reactive energy		Class 1 (IEC/EN 62053-24)
	THD		Class 5 (IEC/EN 61557-12)
	2nd 15th order harmonics		Class 5 (IEC/EN 61557-12)
Insulations			
	Rated insulation voltage Ui IEC/EN	V	600
	Rated impulse withstand voltage Uimp	kV	9.6
	Operating frequency withstand voltage	kV	5.4
Functions			
	Harmonic analysis		63rd order
	PLC logic		Yes
	Type of communication port		No
	Ethernet-RS485 gateway function		+EXP1012 +EXP1013
	Data logging memory		No
	Neutral/earth current and voltage monitoring		No
	Statistics of network quality according to EN50160		No
	EASY BRANCH support		No
Mechanical features			
	Housing type		Xantar RAL 7035
	Terminals type		Removable
	Conductor cross section		
		min	mm ² 0.2
		Max	mm ² 2.5
		min	AWG 24
		Max	AWG 12
	Tightening torque (Max)		
		Nm	0.5
		lbin	4.5
	Fixing		Flush-mounting
	Weight	g	412

Ambient conditions

Temperature

Operating temperature

min	°C	-20
max	°C	+60

Storage temperature

min	°C	-30
max	°C	+80

Relative humidity

% <80

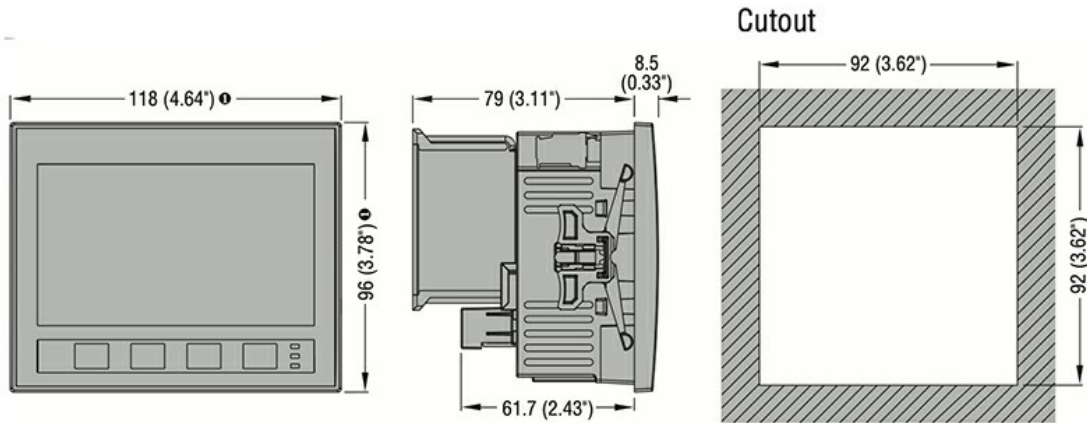
Maximum Pollution degree

2

Protection degree

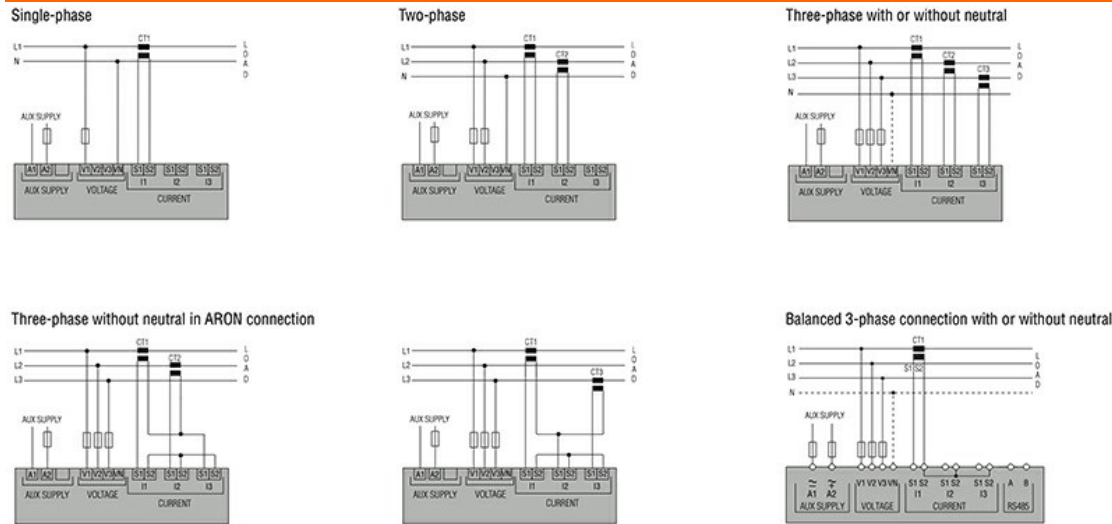
IP65

Dimensions



① Dimensions with gasket: 122x100mm/4.80x3.94"

Wiring diagrams



CODE	AUX SUPPLY
DMG100-110-200-210-300	100...240VAC 110...250VDC
DMG6...	100...440VAC 110...250VDC
DMG7000-7500-8000-9000	100...240VAC 110...250VDC



Certifications and compliance

Compliance

- IEC/EN/BS 61000-6-2
- IEC/EN/BS 61000-6-4
- IEC/EN/BS 61010-1

Certificates

CE

EAC

UKCA

ETIM classification

ETIM 8.0

EC002301 -
Multifunction
measuring
instrument